



# CATALOG OF REPLACEMENT PARTS



## DPC1S DEHUMIDIFYING PROOFING CABINET

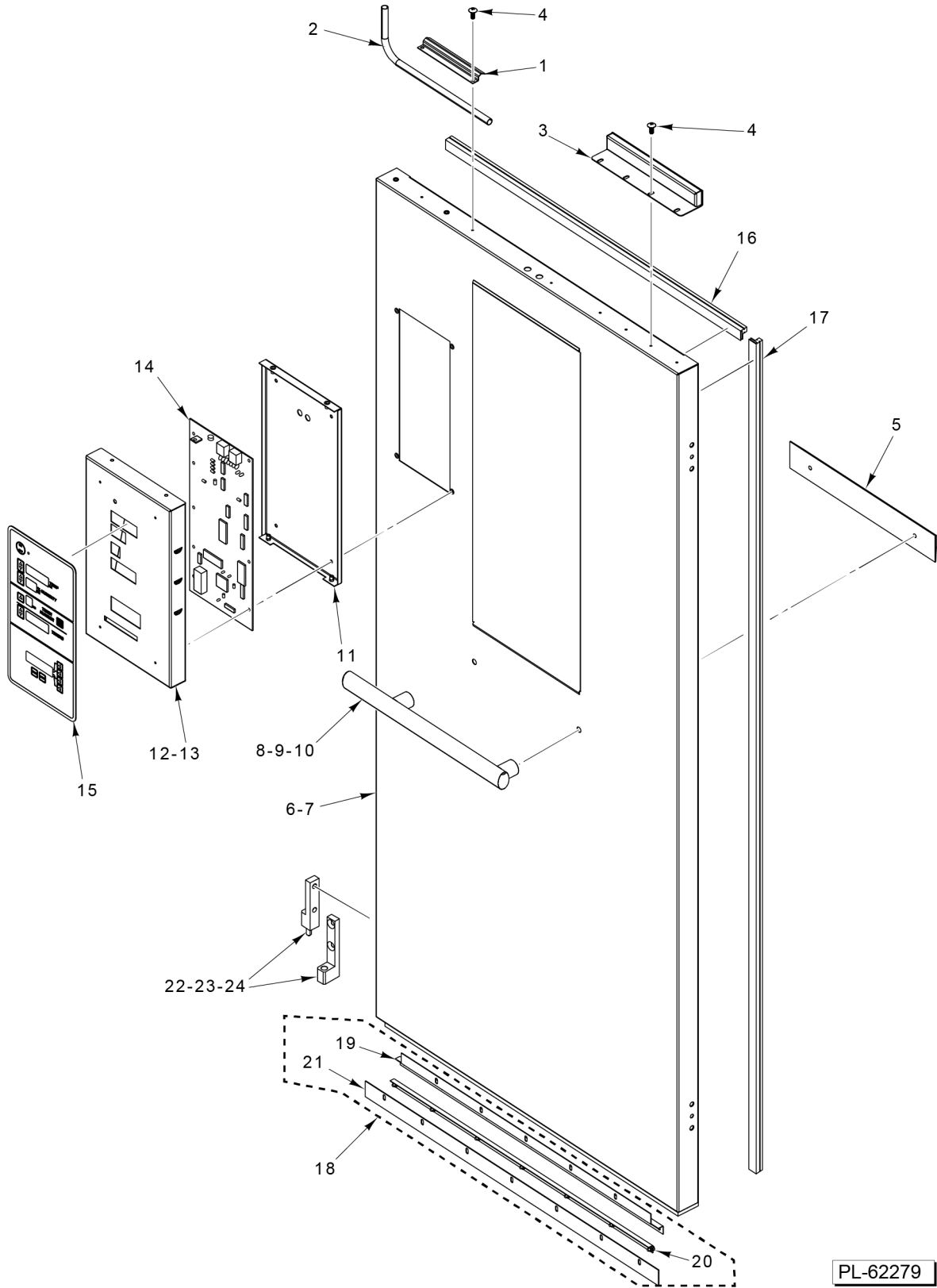
ML-132644

DPC1S



**Table of Contents**

5	CONTROL PANEL AND DOOR ASSEMBLY
7	PANELS AND FLOOR
9	VENT STACK ASSEMBLY
11	COMPONENT BOX ASSEMBLY
13	STEAMING & DEHUMIDIFYING ASSEMBLY



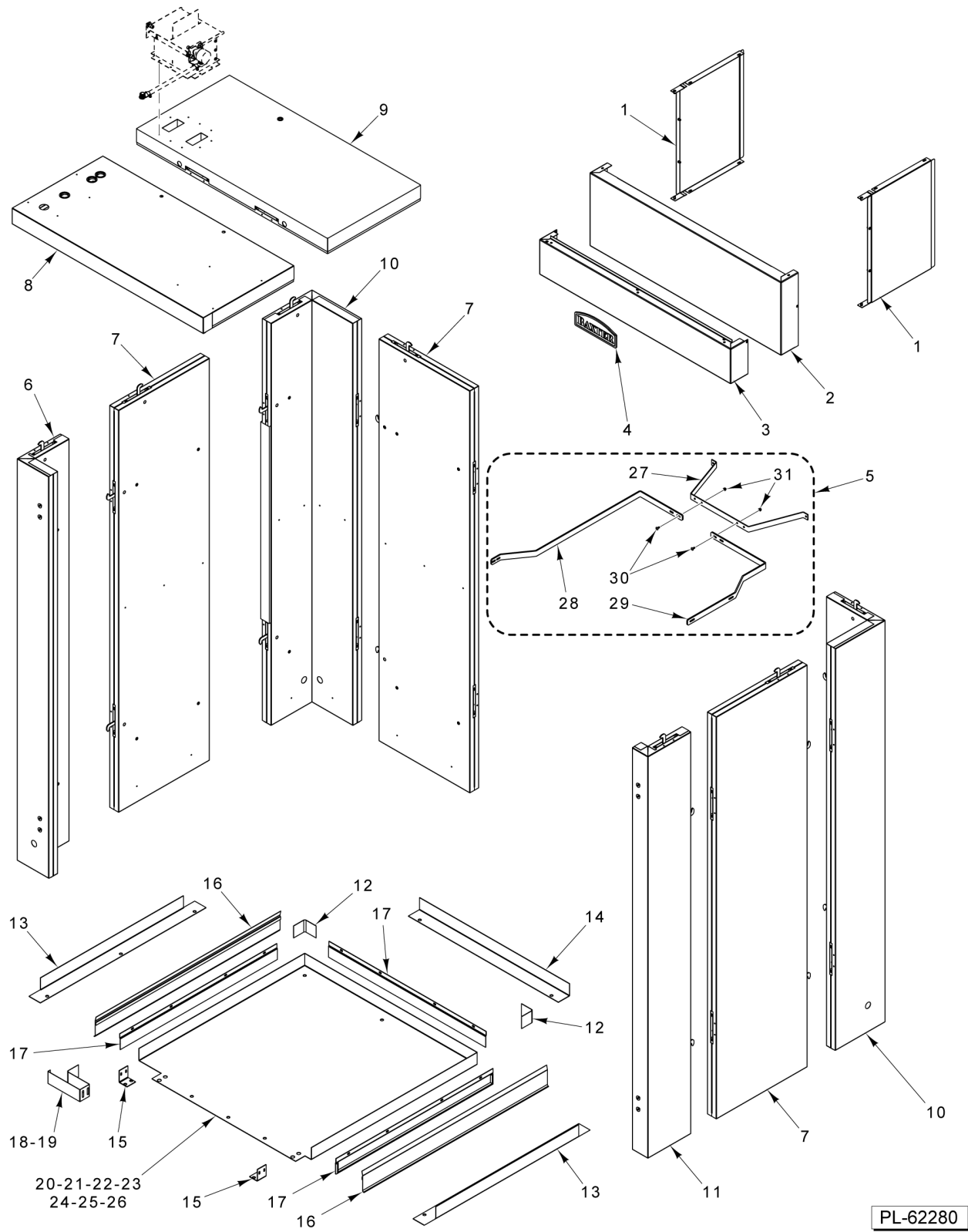
PL-62279

**CONTROL PANEL AND DOOR ASSEMBLY**

**CONTROL PANEL AND DOOR ASSEMBLY**

ILLUS. PL-62279	PART NO.	NAME OF PART	AMT.
1	01-1P1485-00002	Clamp - Wire Tube (Door).....	1
2	01-1P1383-00003	Conduit - Wire.....	1
3	01-1P1471-00002	Magnet Assy. (Door).....	1
4	01-1000V4-00412	Mach. Screw 10-32 x 1/2 Phil. Truss Hd. (SST).....	AR
5	01-1P1837-00011	Bumper - Door.....	1
6	01-1P2833-00003	Door Assy. (Without Control - With Window) (Dunkin Donuts).....	1
7	01-1P2683-00003	Door Assy. (Without Control - Without Window).....	1
8	01-1P2756-00001	Handle - Door Loading (SST).....	1
9	01-1M6103-0203B	Cap - End (Door Handle) (Oval).....	2
10	01-100V15-00086	Cap, Handle - Door (Round).....	2
11	01-1P2832-00002	Bracket - Control.....	1
12	01-1P2865-00004	Cover - Control.....	1
13	01-1P2410-00017	Kit - Control Panel Conduit (Incls. Items 2, 10, & 11).....	AR
14	01-1P2830-00001	Board - Control (DPC1S Proofer) RPW Display.....	2
15	01-100V16-00831	Overlay.....	1
16	01-1P2321-00033	Gasket - Door (Top).....	1
17	01-100V16-0271C	Gasket - Door (Side).....	2
18	01-1P2344-00002	Sweep - Door Assy. (Incls. Items 19, 20, & 21).....	1
19	01-1P2345-00002	Retainer - Outer Door Seal.....	1
20	01-1P2346-00002	Retainer - Inner Door Seal.....	1
21	01-1P2347-00002	Seal - Door Sweep.....	1
22	01-1P1867-00001	Hinge - Package.....	2
23	01-1000V4-00119	Self-Tapping Screw 3/8-16 x 1-1/4 Phil. Flat Hd.....	8
*24	01-100V15-00064	Plug - Push-In (Black).....	8

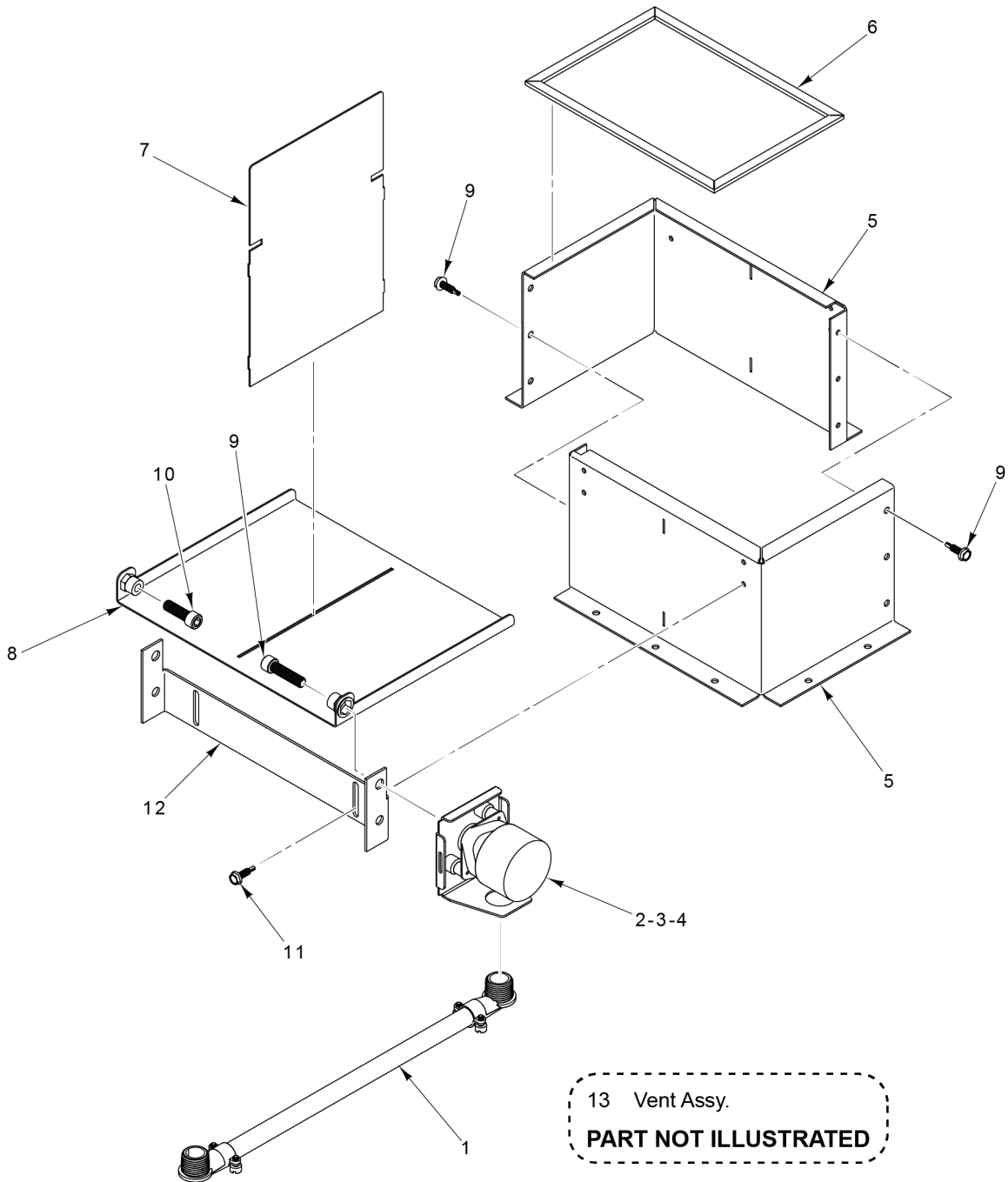
\* Used in Unused Hinge Mounting Holes



**PANELS AND FLOOR**

## PANELS AND FLOOR

ILLUS. PL-62280	PART NO.	NAME OF PART	AMT.
1	01-1P2376-00001	Retainer - Upper Forward Trim Assy.....	2
2	01-1P2374-00002	Trim - Front Upper Trim - Front.....	1
3	01-1P2362-00002	Trim - Front Lower Trim - Front.....	1
4	01-100V16-0772A	Nameplate - Baxter Flat (9 In.).....	1
5	01-1P2914-00001	Rack Guide Assy. (Complete) (Incls. Items 27 thru 31).....	1
6	01-1P2493-00005	Corner - Front Left.....	1
7	01-1P2496-00003	Wall.....	3
8	01-1P2502-00001	Panel - Ceiling Front.....	1
9	01-1P2867-00002	Ceiling - Rear.....	1
10	01-1P2493-00006	Corner - Rear.....	2
11	01-1P2493-00001	Corner - Front (Right).....	1
12	01-1P2366-00003	Trim - Rear Corner.....	2
13	01-1P2367-00001	Angle - Floor Side (40-1/2 In.).....	2
14	01-1P2368-00002	Angle - Floor Rear (42 In.).....	1
15	01-1P2018-00002	Angle - Retainer.....	2
16	01-1P2364-00001	Trim - Outer Base (40-1/2 In.).....	2
17	01-1P2365-00001	Bracket - Floor Retainer Assy.....	3
18	01-1P2366-00001	Trim - Jamb (Front) (LH).....	1
19	01-1P2366-00002	Trim - Jamb (Front) (RH).....	1
20	01-1P2370-00040	Floor - Single Floor - Single.....	1
21	01-1000V4-0073A	Tool - Setting.....	1
22	01-1000V4-00073	Anchor - Drop-In 1/4-20 (Quantity of 10).....	1
23	01-1000V4-00221	Mach. Screw 1/4-20 x 1/2 Phil. Flat Hd. (SST).....	AR
24	01-1000V4-00222	Mach. Screw 1/4-20 x 3/4 Phil. Flat Hd. (SST).....	AR
25	01-1000V4-00223	Mach. Screw 1/4-20 x 1 Phil. Flat Hd. (SST).....	AR
26	01-100V21-00057	Adhesive - Floor (11 Oz. Tube).....	AR
27	01-1P2914-00103	Rack Support.....	1
28	01-1P2914-00101	Rack Guide (LH).....	1
29	01-1P2914-00102	Rack Guide (RH).....	1
30	01-1000V4-00412	Mach. Screw 10-32 x 1/2 Phil. Truss Hd. (SST).....	4
31	01-1000V4-00411	Acorn Nut 10-32 (SST).....	4



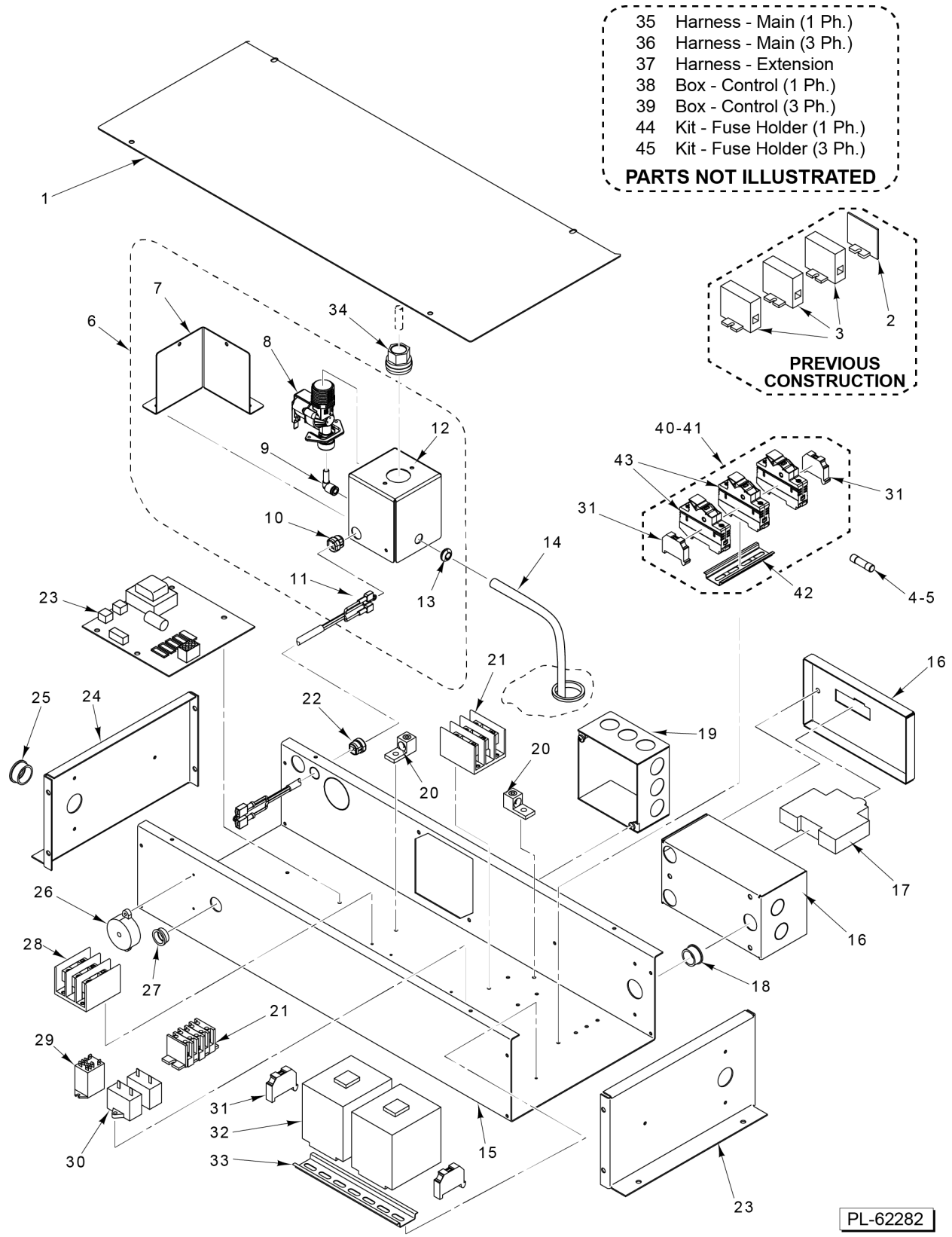
13 Vent Assy.  
**PART NOT ILLUSTRATED**

PL-60654

### VENT STACK ASSEMBLY

**VENT STACK ASSEMBLY**

ILLUS. PL-62281	PART NO.	NAME OF PART	AMT.
1	01-1P2919-00101	Harness.....	1
2	01-1000V8-00150	Motor - Vent Damper.....	1
3	01-1P2919-00104	Bracket - Vent Actuator Mounting.....	1
4	01-1000V4-00475	Screw - Pan HD Sht Mtl (#10-16 x 0.5).....	2
5	01-1P2915-00101	Body - Exhaust Vent.....	2
6	01-100V16-00682	Gasket - Vent Duct.....	1
7	01-1P2915-00102	Baffle - Exhaust Vent.....	1
8	01-1P2916-00001	Lid Assy. - Exhaust Vent.....	1
9	01-1000V4-00409	Screw 5/16-18 x 1-1/4 Hex Socket Hd.....	1
10	01-1000V4-00408	Screw 5/16-18 x 1 Hex Socket Hd.....	1
11	01-1000V4-00426	Screw #10-16 x 3/4 Hex Hd. (Drill Tip) (SST).....	10
12	01-1P2915-00103	Hinge - Exhaust Vent.....	1
13	01-1P2915-00001	Vent Assy.....	1



**COMPONENT BOX ASSEMBLY**

PL-62282

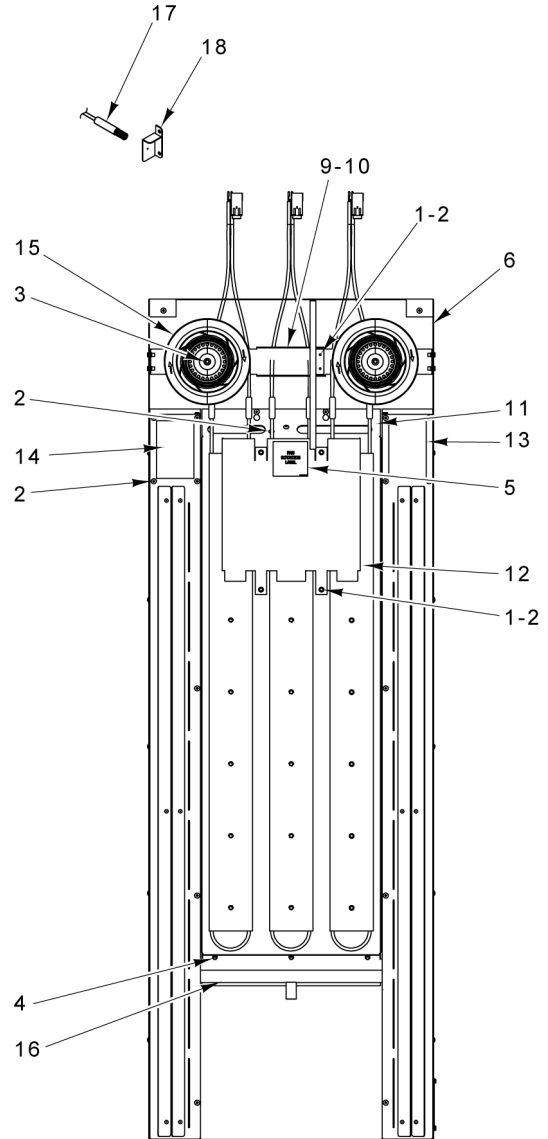
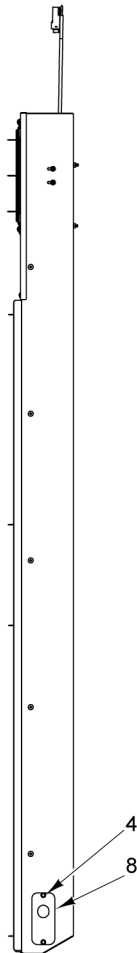
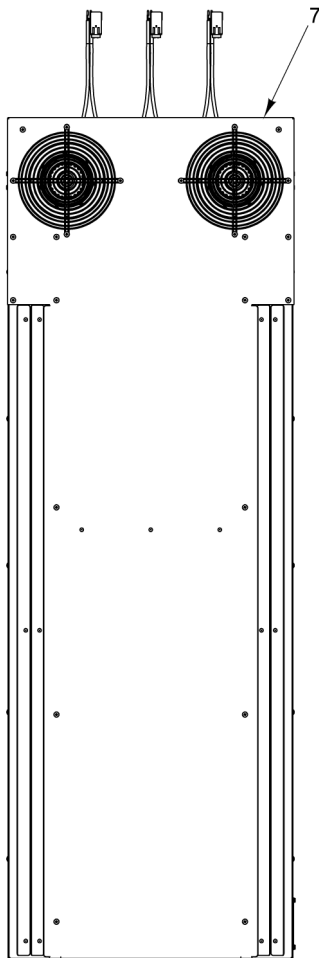
## COMPONENT BOX ASSEMBLY

ILLUS. PL-62282	PART NO.	NAME OF PART	AMT.
1	01-1P2451-00302	Cover (J-Box).....	1
*2	01-100V10-00235	End - Section (Flat Mount) (600 V.) (Before 10/1/21).....	1
*3	01-100V10-00234	Holder -Midget Fuse (Qty. of 2 for 1 Ph., Qty. of 3 for 3 Ph.) (Before 10/1/21).....	AR
4	01-100V10-00236	Fuse (30 Amp) (1 Ph.).....	2
5	01-100V10-00245	Fuse (25 Amp) (3 Ph.).....	3
6	01-1P2945-00001	Solenoid Assy. (Incls Items 7 thru 13).....	1
7	01-1P2945-00102	Bracket - Mounting.....	1
8	01-100V17-00829	Valve - Solenoid.....	1
9	01-100V17-00821	Elbow - Push-to-Connect (1/4 x 1/4).....	1
10	01-1000V5-00002	Bushing - Strain Relief.....	1
11	01-1P2946-00001	Harness - Water Solenoid.....	1
12	01-1P2945-00101	Bracket - Solenoid Mounting.....	1
13	01-100V15-00057	Grommet.....	1
14	01-1000V17-00813	Tubing (1/4" OD) Order by In.....	AR
15	01-1P2451-00301	Base (J-Box).....	1
16	01-100V11-00139	Box - Breaker.....	1
17	01-1000V6-00191	Breaker - Circuit (15 Amp., 120/240 V.).....	1
18	01-1000V5-00059	Bushing - Snap 7/8 In. (Plastic).....	1
19	01-100V11-0024C	Box Assy. - Junction.....	1
20	01-1000V5-00037	Lug - Terminal.....	2
21	01-1P2758-00001	Terminal Block Assy.....	2
22	01-1000V5-00002	Bushing - Strain Relief.....	1
23	01-1P3045-00001	Kit - Upgrade, Power Supply Board.....	1
24	01-1P2383-00001	End (Component Box).....	2
25	01-1000V5-00035	Bushing - Snap (1 In.).....	1
26	01-1P1749-00002	Beeper Assy.....	1
27	01-1000V5-00166	Bushing - Snap.....	1
28	01-1000V5-00096	Block - Power Distribution.....	2
29	01-1000V6-00327	Relay (1/2 Hp.).....	1
30	01-1000V8-0175C	Capacitor - Fan Motor.....	2
31	01-1000V5-00406	Stop - Terminal Section End.....	4
32	01-1000V6-00382	Contact (40 Amp., 3-Pole, 120 VAC Coil).....	2
33	01-100V18-00115	Rail - Din (7 In.).....	1
34	01-100V17-00830	Adapter - Hose to Pipe 3/4 GHTF x 1/2 NPTF.....	1
**35	01-1P2927-00001	Harness - Main (1 Ph.) (Inside Control Box).....	1
**36	01-1P2927-00002	Harness - Main (3 Ph.) (Inside Control Box).....	1
37	01-1P2927-00003	Harness - Extension (Control Box to J-Box above Heating Duct).....	1
38	01-1P2944-00001	Box - Control (1 Ph.) (Incls. Items 1, 2, 3, 4, 6 thru 34 & 36).....	1
39	01-1P2943-00001	Box - Control (3 Ph.) (Incls. Items 1, 2, 3, 5 thru 35 & 36).....	1
40	01-1P2979-00002	Fuse Holder - Block Assy. (2 pc.) (W/O Fuses) (Incls Items 31, 42 & 43).....	1
41	01-1P2979-00003	Fuse Holder - Block Assy. (3 pc.) (W/O Fuses) (Incls Items 31, 42 & 43).....	1
42	01-1P2980-00001	Rail - Din (4 In.).....	1
43	01-100V10-00364	Holder - Fuse.....	AR
44	01-1P2982-00002	Kit - Fuse Holder (2 pc.) (W/O Fuses) (Single Phase Power) (incls. Item 40).....	1
45	01-1P2982-00003	Kit - Fuse Holder (3 pc.) (W/O Fuses) (Triple Phase Power) (incls. Item 41).....	1

\* Use Item 44 for Single Phase Power, Use Item 45 for Triple Phase Power

\*\* Order with 01-1P3045-00101, Harness Adapter

19 Kit - Drain (40-1/2 In.)  
**PART NOT ILLUSTRATED**



PL-62333

**STEAMING & DEHUMIDIFYING ASSEMBLY**

**STEAMING & DEHUMIDIFYING ASSEMBLY**

ILLUS.	PART NO.	NAME OF PART	AMT.
PL-62333			
1	01-1000V4-00336	Nut #10-32 W/ Lockwasher (SST).....	6
2	01-1000V4-00412	Mach. Screw 10-32 x 1/2 Phil. Truss Hd. (SST).....	AR
3	01-1000V4-00423	Mach. Screw 10-32 x 1/2 Hex Hd. W/ Washer (SST).....	4
4	01-1000V4-00426	Screw #10-16 x 3/4 Hex Hd. (Drill Tip) (SST).....	5
5	01-100V16-0746B	Label (Fan Blade).....	1
6	01-1P2903-00001	Base Plate Assy.....	1
7	01-1P2907-00001	Front Cover Assy.....	1
8	01-1P2917-00102	Cover Plate - Drain.....	1
9	01-1P3063-00002	Kit - Air Duct.....	1
10	01-1P2456-00001	Switch - High Limit Thermostat Assy.....	1
11	01-1P2462-00005	Sprayer Assy.....	1
12	01-1P2901-00001	Heater Plate Assy.....	1
13	01-1P2904-00001	Duct Body - RH Side.....	1
14	01-1P2905-00001	Duct Body - LH Side.....	1
15	01-1P2906-00001	Fan Assy.....	1
16	01-1P3062-00002	Drain Pan Assy.....	1
*17	01-1P2461-00001	Bracket - Humidity Sensor (Order W/ Item 18).....	1
*18	01-1P1875-00002	Sensor Assy. - Humidity W/Filter (Order W/ Item 17).....	1
19	01-1P3061-00002	Kit - Drain (40-1/2 In.).....	1

\* Both Bracket and Sensor Required

