



CATALOG OF REPLACEMENT PARTS



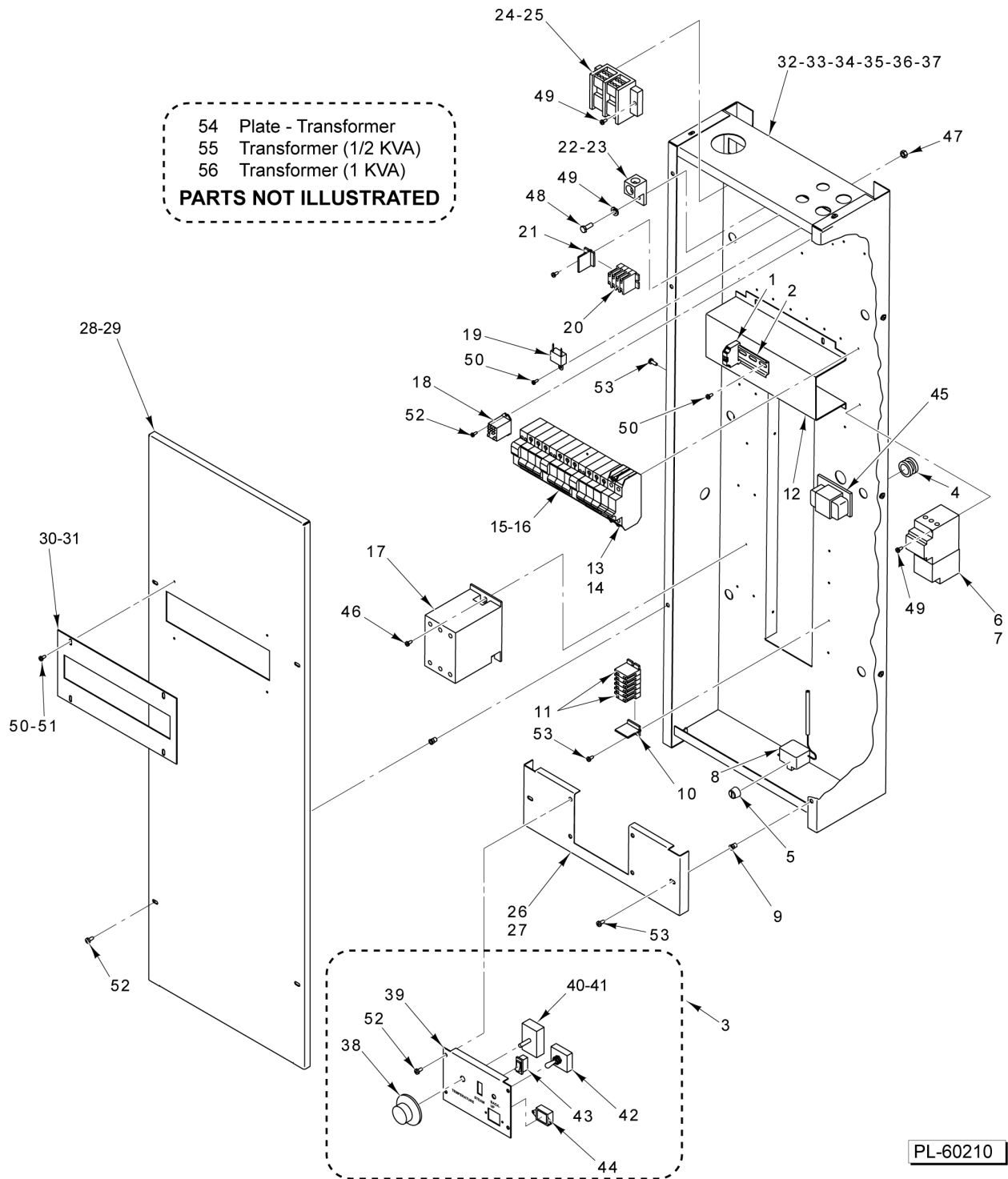
OV500 ELECTRIC RACK OVENS

ML-132522
ML-132524

OV500E1
OV500E2

Table of Contents

5	COMPONENT BOX
9	CONTROL CABINET, DOOR, AND CONTROLLER
13	CABINET (SINGLE RACK) (ML-132522)
15	CABINET (DOUBLE RACK) (ML-132524)
17	HOOD (SINGLE RACK) (ML-132522)
19	HOOD (DOUBLE RACK) (ML-132524)
21	LOADING DOOR (SINGLE RACK) (ML-132522)
23	LOADING DOOR (DOUBLE RACK) (ML-132524)
25	BLOWER, PANELS, AND VENTS (SINGLE RACK) (ML-132522)
27	BLOWER, PANELS, AND VENTS (DOUBLE RACK) (ML-132524)
31	CEILING AND SHUTTERS (SINGLE RACK) (ML-132522)
33	LIFTER
35	ROTATOR
37	CARRIER
39	STEAMER ASSEMBLY (SINGLE RACK) (ML-132522)
41	STEAMER ASSEMBLY (DOUBLE RACK) (ML-132524)
43	EXTERIOR WATER SUPPLY
45	HEATING ELEMENTS



COMPONENT BOX

COMPONENT BOX

ILLUS. PL-60210	PART NO.	NAME OF PART	AMT.
1	01-1000V6-00252	End Stop - Din Rail.....	AR
2	01-100V18-00115	Din Rail 9080-M H.....	AR
3	01-1M5083-00001	Back-Up Control Unit (Incls. Items 38 thru 44).....	1
4	01-1000V5-00059	Bushing - Snap (Plastic).....	1
5	01-1000V6-00407	Cap.....	1
6	01-1M7548-00002	Contactora - Overload Assy. (4-6 Amp.) (208-240 V.) (3 Ph.).....	1
7	01-1M7549-00002	Contactora - Overload Assy. (1.6 - 2.5 Amp.) (380-415/440-480 V.) (3 Ph.).....	1
8	01-1M6165-00001	Kit, High Limit (608 Deg. F/320 Deg. C) - Manual Reset.....	1
9	01-1000V4-00121	Insert - Threaded 10-32 Hex.....	AR
10	01-1000V5-00106	Strip End - Terminal.....	AR
11	01-1000V5-00105	Strip - Terminal.....	AR
12	01-1M5418-00008	Bracket - Circuit Breaker.....	1
13	01-1000V6-00423	Circuit Breaker (10A) (1 Ph.).....	2
14	01-1000V6-00424	Circuit Breaker (13A) (1 Ph.).....	1
15	01-1M7547-00001	Kit - Breaker Replacement (32/35 Amp.) (380-415/440-480 V.) (With 120 V. UV Breaker) (Single).....	2
15	01-1M7547-00001	Kit - Breaker Replacement (32/35 Amp.) (380-415/440-480 V.) (With 120 V. UV Breaker) (Double).....	3
16	01-1M7546-00001	Kit - Breaker Replacement (63 Amp.) (208-240 V.) (With 120 V. UV Breaker) (Single).....	2
16	01-1M7546-00001	Kit - Breaker Replacement (63 Amp.) (208-240 V.) (With 120 V. UV Breaker) (Double).....	3
17	01-1000V6-00348	Contactora (3-Pole) (50 Amp.) (Single).....	2
17	01-1000V6-00348	Contactora (3-Pole) (50 Amp.) (Double).....	1
18	01-1000V6-00271	Relay - D.P.D.T. (1/2 Hp., 120 VAC).....	1
19	01-100V10-00242	Filter - EMI.....	1
20	01-1000V5-00105	Strip - Terminal.....	6
21	01-1000V5-00106	Strip End - Terminal.....	1
22	01-1000V5-00101	Lug - Grounding (ML-132524).....	1
23	01-1000V5-00037	Lug - Terminal (ML-132522).....	1
24	01-1000V5-00063	Power Distribution Block (ML-132524).....	1
25	01-1000V5-00096	Block - Power Distribution (ML-132522).....	1
26	01-1M5418-00002	Cover - Electric Box (Bottom) (ML-132524).....	1
27	01-1M5418-00004	Cover - Bottom Electric Box (ML-132522).....	1
28	01-1M5418-00009	Electric Box Cover Assy. (ML-132524) (Incls. Items 30, 55, 56, 58, & 59).....	1
29	01-1M5418-00006	Electric Box Cover Assy. (ML-132522) (Incls. Items 31, 56, & 57).....	1
30	01-1M5418-00010	Cover - Circuit Breaker (ML-132524).....	1
31	01-1M5418-00007	Cover - Circuit Breaker (ML-132522).....	1
32	01-1M5828-0001F	Module - Electric (208-240 V./60/3) (ML-132524) (Incls. items 1 thru 6, 8 thru 15, 17 thru 22, 24, 26, 28, & 45).....	1
33	01-1M5828-0002F	Module - Electric (440-480 V./60/3) (ML-132524) (Incls. items 1 thru 5, 7 thru 14, 16 thru 22, 24, 26, 28, & 45).....	1
34	01-1M5828-0003F	Module - Electric (380 V.) (ML-132524) (Incls. items 1 thru 5, 7 thru 14, 16 thru 22, 24, 26, 28, & 45).....	1
35	01-1M5828-0005F	Module - Electric (208-240 V./60/3) (ML-132522) (Incls. items 1 thru 6, 8 thru 15, 17 thru 21, 23, 25, 27, 29, & 45).....	1
36	01-1M5828-0006F	Module - Electric (440-480 V./60/3) (ML-132522) (Incls. items 1 thru 5, 7 thru 14, 16 thru 21, 23, 25, 27, 29, & 45).....	1
37	01-1M5828-0007F	Module - Electric (380 V.) (ML-132522) (Incls. items 1 thru 5, 7 thru 14, 16 thru 21, 23, 25, 27, 29, & 45).....	1
38	01-100V18-00149	Knob - Thermostat.....	1
39	01-1M5084-00001	Plate - Back-Up Control ID.....	1
40	01-1000V6-00265	Thermostat - 500 Deg.....	1
41	01-1M5894-00001	Bracket - Back-Up.....	1
42	01-1000V6-00220	Switch - Toggle 4 PDT.....	1
43	01-1000V6-00221	Switch - MOM Transfer.....	1
44	01-1000V6-00271	Relay - D.P.D.T. (1/2 Hp., 120 VAC).....	1

COMPONENT BOX

ILLUS. PL-60210	PART NO.	NAME OF PART	AMT.
45	01-100V10-00278	Transformer (5 VA) (120-24 V.).....	1
46	01-1000V4-00630	Screw Pan Hd. Phil. #8-32 x 3/4.....	AR
47	01-1000V4-00330	Nut, Hex 1/4-20 (Zinc).....	AR
48	01-1000V4-00417	Mach. Screw Hex Hd. 1/4-20 x 3/4 In.....	AR
49	01-1000V4-00470	Lockwasher (1/4 In.) (SST).....	AR
50	01-1000V4-00631	Screw Pan. Hd. #10-32 x 1/2.....	AR
51	01-1000V4-00434	Washer - Flat #10 (SST).....	4
52	01-1000V4-00474	Screw 10-32 x 1/2 Hex Washer Hd. (SST).....	AR
53	01-1000V4-00429	Screw Pan Hd. Phil. #8-32 x 3/8.....	AR
54	01-1M2734-00001	Plate - Transformer.....	1
55	01-100V10-00120	Transformer (1/2 KVA) (Export) (Located On Lift / Rack Assy.) (ML-132522).....	1
56	01-100V10-00119	Transformer (1 KVA) (Export) (Located On Lift / Rack Assy.) (ML-132524).....	1

NOTES

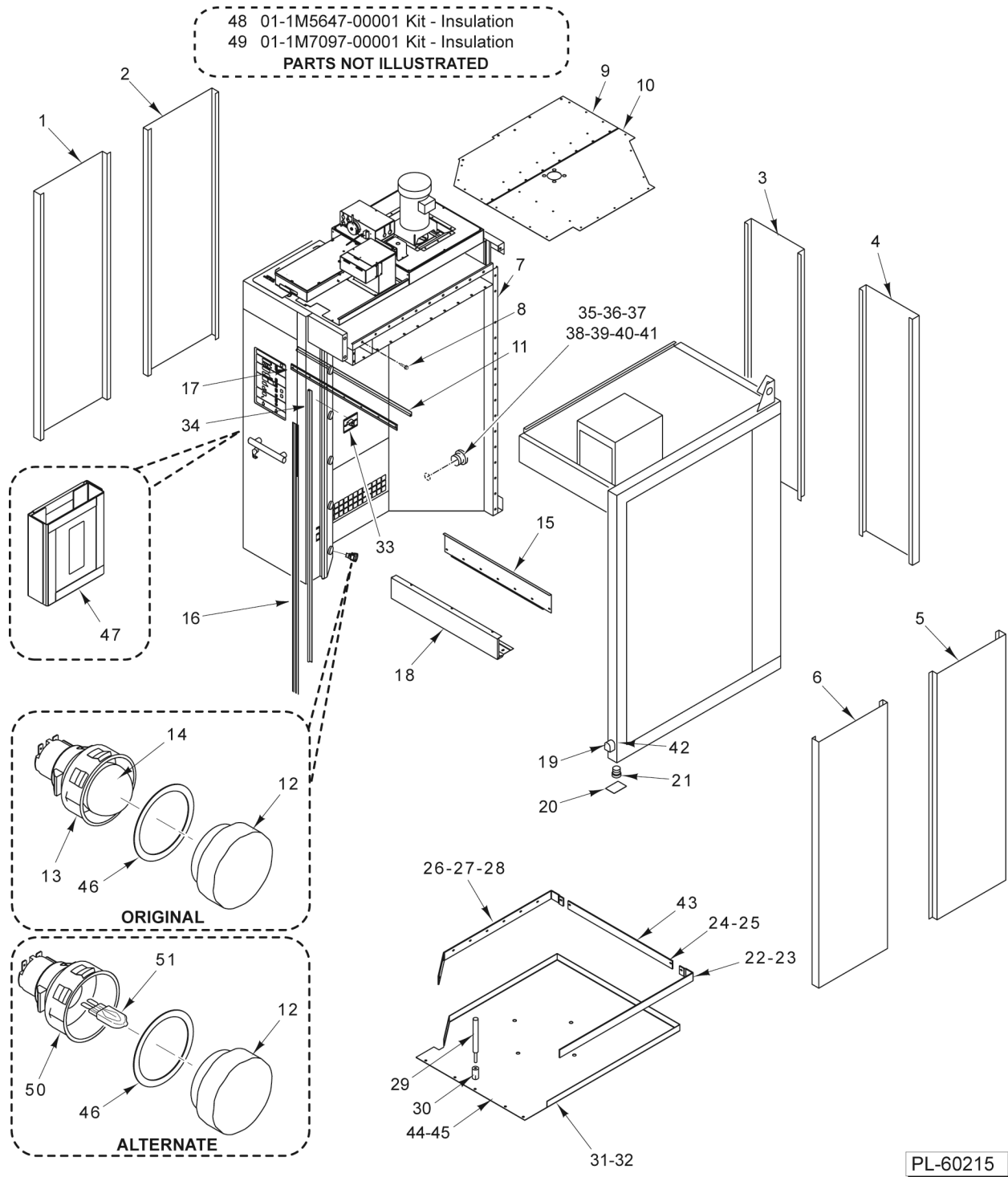
CONTROL CABINET, DOOR, AND CONTROLLER

ILLUS.	PART NO.	NAME OF PART	AMT.
PL-60214			
1	01-1M5640-00001	Stop Assy. - Emergency (Incls. Items 30 thru 32) (Prison Package).....	1
2	01-1M6157-00101	Guide - Actuator Rod.....	1
3	01-1M6478-00001	Door Switch Assy. (Spring Loaded) (Incls. Items 4 thru 9).....	1
4	01-1M6478-00101	Rod - Actuator.....	1
5	01-1000V6-00343	Switch - Lever SPST.....	2
6	01-1000V1-00078	Clip - E-Door.....	1
7	01-100V20-00027	Spring - Compression.....	1
8	01-1M6478-00103	Bearing (Bronze).....	1
9	01-1000V1-00078	Clip - E-Door.....	1
10	01-1M5150-00001	Cover - Light Access.....	1
*11	01-1M6216-00102	Cover - Control Box.....	1
**12	01-1M7063-00102	Cover, Control - Display (W/O Comm. Port).....	1
13	01-1000V4-00336	Nut #10-32 W/ Lockwasher (SST) Nut.....	8
14	01-100V16-01036	Board - Control (USB Compatible).....	1
15	01-1000V5-00164	Spacer (PC Board).....	8
16	01-1M6219-00001	Body - Control Box (With Weld Studs).....	1
17	01-1M5482-00001	Bracket.....	1
18	01-100V10-00223	Alarm - Piezo Pre-wired.....	1
19	01-1M5482-00001	Bracket.....	1
***20	01-1M7062-00001	Control Door Assy. (With Weld Studs) (Single) (Starting 01/01/15).....	1
21	01-100V16-00788	Label - Advanced Controls (10.5" x 19.8") (ML-132524 - All; ML-132522 - Before 01/01/15).....	1
22	01-100V16-00866	Label - Advanced Controls (6.75" x 23.5") (ML-132522 - After 01/01/15).....	1
23	01-100V16-00648	EPROM (Advanced) (ML-132522 & ML-132524 Before 1/01/15).....	1
24	01-100V16-0546C	Overlay - No Steps With Jog (Panera) (ML-132522 & ML-132524 Before 1/01/15).....	1
25	01-1M6949-00001	Package - Program Chip (Panera Only) (ML-132522 & ML-132524 Before 1/01/15).....	1
26	01-1M6376-00005	Handle - Door (ML-132522).....	1
27	01-1M6376-00004	Handle - Control Door (ML-132524).....	1
28	01-100V18-00161	Latch.....	1
29	01-1000V4-00283	Mach. Screw 1/4-20 x 3/4 Hex Washer Hd. (SST).....	AR
30	01-1000V6-00255	Switch - Emergency Stop (Prison Package).....	1
31	01-100V10-0003B	Bell (Includes Gong & Body) (Prison Package).....	1
32	01-1000V6-00271	Relay - D.P.D.T. (1/2 Hp., 120 VAC) (Prison Package).....	1
****33	01-1M7258-00002	Communications Port Assy. (Incls. Items 38 thru 42).....	1
34	01-100V11-0030A	Connector - Seal Flex (3/8 x 90 Deg.).....	2
35	01-100V16-00584	Label - Control Status.....	1
36	01-1M6078-00001	Kit - Controller Harness.....	1
37	01-1M6216-00002	Kit - Advanced Control Box (Incls. Items 11, 13 thru 16, & 18).....	1
****38	01-1M7258-00101	Bracket - Comm. Port.....	1
****39	01-100V10-00343	USB - Panel Mount (12" Cable).....	1
****40	01-100V10-00344	Jack - RJ12 Panel Mount Coupler.....	1
****41	01-100V10-00348	Cable - RJ12 Telephone (12").....	1
****42	01-100V12-00037	Rivet - Push/Lock (Black Plastic).....	4
****43	01-1000V4-00400	Cap Screw 10-32 x 3/4 Hex Hd. (SST).....	2
****44	01-1M7258-00201	Cover - USB (Rack Oven).....	1
****45	01-1000V4-00284	Screw 10-32 x 3/4 Hex Washer Hd., Serrated Flange (SST).....	1
****46	01-1M7063-00302	Cover - PCB (W/Comm. Port Opening).....	1
****47	01-1M7312-00002	Kit - Panera Board Replacement (Incls. Items 21 & 50).....	1
****48	01-100V16-00788	Label - Advanced Controls.....	1
49	01-1000V7-00039	Indicator - Light (Costco).....	1
50	01-1M7062-00003	Control Door Assy. (Security) (Single) (Incls. Item 22) (Starting 01/01/15).....	1
51	01-1M7062-00004	Control Door Assy. (Security) (Double) (Incls. Item 22) (Starting 01/01/15).....	1
52	01-1M7063-00001	Control Door Assy. (Single Rack) (Single) (Incls. Items 12 thru 16, 18, 20, 22, 26, 28, & 29).....	1
53	01-1M7063-00002	Door Assy. - Control (Double) (Incls. Items 12 thru 16, 18, 20, 22, 27, 28, & 29).....	1
54	01-1M7063-00003	Door Assy. - Control (Security) (Single) (Incls. Items 12 thru 16, 18, 20, 22, 26, 28, & 29).....	1
55	01-1M7063-00004	Door Assy. - Control (Security) (Double) (Incls. Items 12 thru 16, 19, 28, 29, 30, 34, & 37).....	1

CONTROL CABINET, DOOR, AND CONTROLLER

ILLUS. PL-60214	PART NO.	NAME OF PART	AMT.
56	01-1M7063-00006	Door Assy. - Control (Costco) (Double) (Incls. Items 12 thru 16, 18, 20, 22, 27, 28, 29, & 49).....	1
		* (Before SN 24-2026434)	
		** (After SN 24-2030444)	
		*** For Ovens Built Before 01/01/15 Contact Product Support For Part Number	
		**** (SN 24-2026434 Thru 24-2030444)	
		***** ML-132524 Only	

NOTES



**CABINET
 (SINGLE RACK) (ML-132522)**

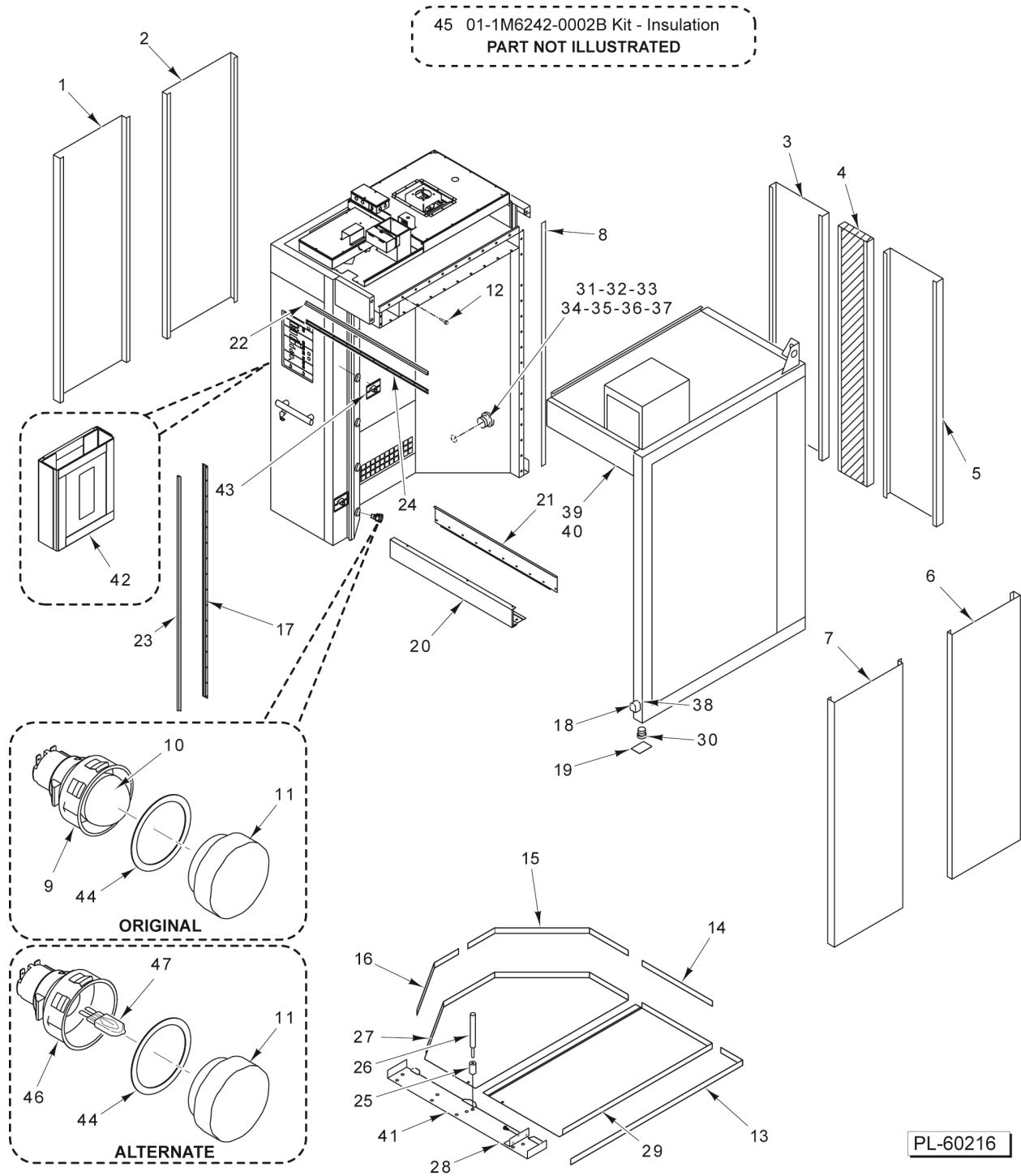
CABINET (SINGLE RACK) (ML-132522)

ILLUS.	PART NO.	NAME OF PART	AMT.
PL-60215			
1	01-1M5672-00002	Skin - Outer.....	1
2	01-1M5672-00001	Skin - Outer.....	1
3	01-1M5672-00002	Skin - Outer.....	1
4	01-1M5672-00001	Skin - Outer.....	1
5	01-1M5672-00002	Skin - Outer.....	1
6	01-1M5672-00001	Skin - Outer.....	1
*7	01-100V21-0065A	Tape - Fiberglass (1/8 x 1) (With Adhesive).....	AR
8	01-1000V4-00283	Mach. Screw 1/4-20 x 3/4 Hex Washer Hd. (SST).....	AR
9	01-1M5460-00001	Panel - False Ceiling (LH).....	1
10	01-1M5460-00002	Panel - False Ceiling (RH).....	1
11	01-100V16-0789C	Gasket - Loading Door (Horizontal).....	1
12	01-1000V7-0027L	Lens - Glass.....	AR
13	01-1000V7-00027	Lamp Assy. (Incandescent) (Incls. Items 12, 14, & 46).....	5
14	01-1000V7-00028	Bulb (Incandescent) (Use W/Item 13 Only).....	AR
15	01-1M6119-00103	Cover - Bottom Header.....	1
16	01-1M6159-00101	Retainer - Gasket Loading Door (Vertical).....	2
17	01-1M6159-00103	Retainer - Gasket Horizontal.....	1
18	01-1M6119-00101	Header - Top Door Loading.....	1
19	01-100V17-00302	Elbow 3/8 x 90 Deg.....	1
20	01-1M5610-00201	Shim.....	1
21	01-100V17-00259	Plug - Pipe 3/8 NPT (Brass).....	1
**22	01-1M5872-00101	Trim - Floor (Right) (Gaskets are not included with floor trim parts, please order item 43 separately, or order item 44).....	1
***23	01-1M7105-00101	Trim - Floor (Right).....	1
**24	01-1M5872-00102	Trim - Floor (Rear) (Gaskets are not included with floor trim parts, please order item 43 separately, or order item 44).....	1
***25	01-1M7105-00102	Trim - Floor (Rear).....	1
**26	01-1M5872-00103	Trim - Floor (Left) (Gaskets are not included with floor trim parts, please order item 43 separately, or order item 44).....	1
***27	01-1M7105-00103	Trim - Floor (Left).....	1
28	01-1000V4-00283	Mach. Screw 1/4-20 x 3/4 Hex Washer Hd. (SST).....	AR
29	01-1000V4-0073A	Tool - Setting (1/4 In.).....	1
30	01-1000V4-00073	Anchor - Drop-In 1/4-20.....	1
**31	01-1M5869-00001	Floor - Single.....	1
***32	01-1M7230-00001	Floor - Single.....	1
33	01-1M6116-00002	Ramp Lock - Weldment.....	2
34	01-100V16-0789A	Gasket - Loading Door (Vertical).....	2
35	01-100V17-00509	Pipe - Close (3/4 In.) (Non-Rear Drain).....	1
36	01-100V17-00233	Pipe 6-1/2 x 1/2 (Non-Rear Drain).....	1
37	01-100V17-00650	Pipe 3/4 x 2-1/2 NPT (Non-Rear Drain).....	1
38	01-100V17-00510	NLA - Obsolete--Tee 3/4 CRES-DRAIN (Non-Rear Drain).....	1
39	01-100V17-00516	Elbow - Street 3/4 x 90 Deg. (Rear Drain).....	1
40	01-100V17-00517	Fitting 3/4 (Rear Drain).....	1
41	01-100V17-00518	Tube 3/4 x 60 In. (Copper) (Rear Drain).....	1
42	01-1M2335-00001	Wheel (For Installation).....	1
*43	00-913135-00002	Gasket - Red Silicone (Use With Items 22, 23, & 24).....	AR
**44	01-1M5872-00001	Kit - Floor Trim (Single) (Incls. Items 22, 24, 26, & 43).....	1
***45	01-1M7105-00001	Kit - Floor Trim (Single) (Incls. Items 23, 25, 27, & 43).....	1
46	01-1000V7-0027G	Gasket.....	AR
47	01-1P2429-00003	Kit - Thermometer Holder.....	AR
**48	01-1M6242-00002	Kit - Insulation.....	1
***49	01-1M7097-00001	Kit - Insulation.....	1
50	01-1000V7-00053	Lamp Assy. (Halogen) (Incls. Items 12, 46, & 51).....	5
51	01-1000V7-00054	Bulb - Halogen G9 Base (Use W/Item 50 Only).....	AR

* (Sold Per Inch)

** Units Built Before 1/1/17

*** Units Built 1/1/17 And After

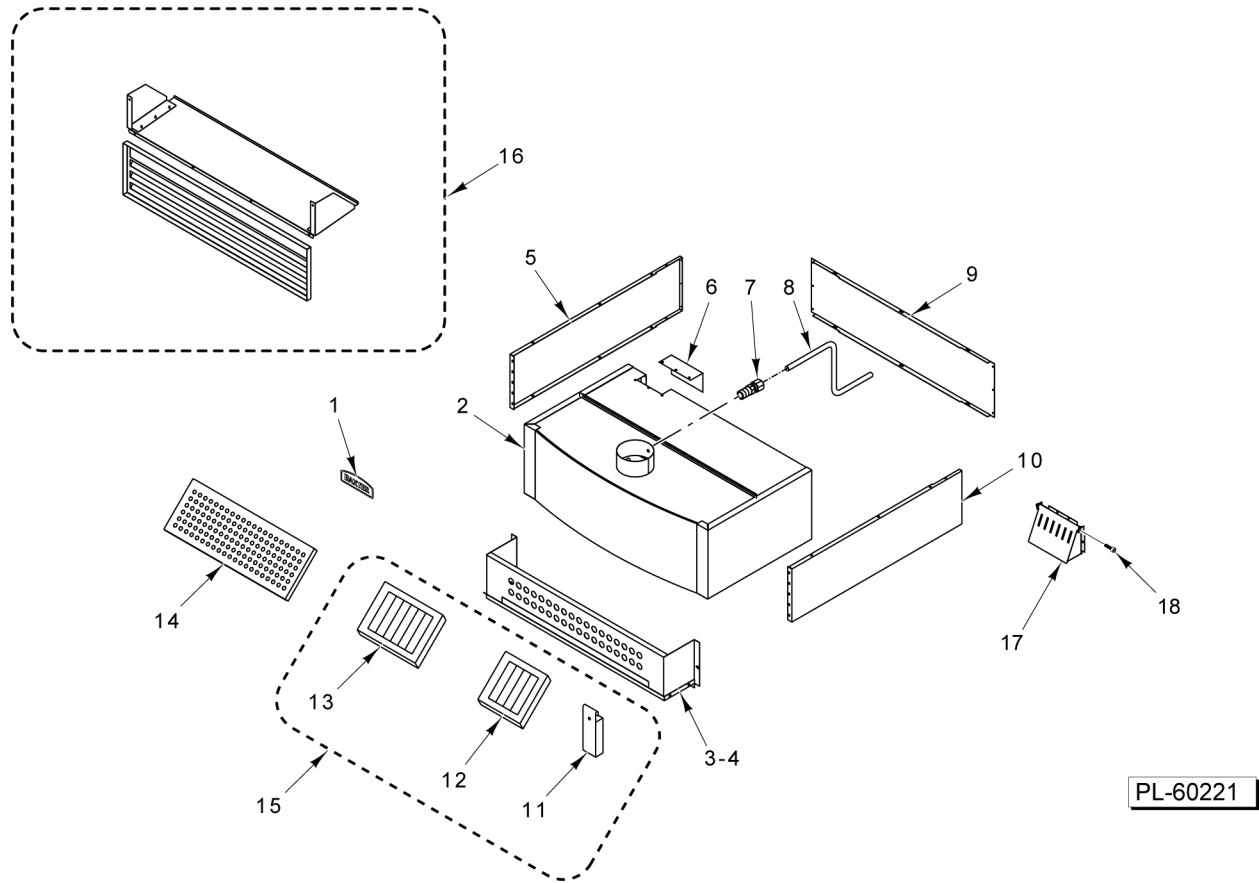


**CABINET
(DOUBLE RACK) (ML-132524)**

CABINET (DOUBLE RACK) (ML-132524)

ILLUS. PL-60216	PART NO.	NAME OF PART	AMT.
1	01-1M5672-00003	Skin - Outer (Non-Symmetrical Flanges) (31 In.).....	1
2	01-1M5672-00001	Skin - Outer (Symmetrical Flanges) (20 In.).....	1
3	01-1M5672-00004	Skin - Outer Drain.....	1
4	01-1M5672-00005	Panel - Outer Wall Split.....	1
5	01-1M5672-00001	Skin - Outer Side.....	1
6	01-1M5672-00001	Skin - Outer (Symmetrical Flanges) (31 In.).....	1
7	01-1M5672-00003	Skin - Outer (Non-Symmetrical Flanges) (20 In.).....	1
*8	01-100V21-0065A	Tape - Fiberglass (1/8 x 1) (With Adhesive).....	AR
9	01-1000V7-00027	Lamp Assy. (Incandescent) (Incls. Items 10, 11, & 44).....	.5
10	01-1000V7-00028	Bulb (Incandescent) (Use W/Item 9 Only).....	AR
11	01-1000V7-0027L	Lens - Glass.....	AR
12	01-1000V4-00283	Mach. Screw 1/4-20 x 3/4 Hex Washer Hd. (SST).....	AR
13	01-1M6006-00001	Trim - Floor Assy. (RH).....	1
14	01-1M6006-00002	Trim Assy. - Rear Floor.....	1
15	01-1M6006-00003	Trim - Rear Floor (Left Rear).....	1
16	01-1M6006-00004	Trim - Front Floor (Left Front).....	1
17	01-1M6159-00101	Retainer - Gasket Loading Door.....	.2
18	01-100V17-00302	Elbow 3/8 x 90 Deg. (Front Drain).....	1
19	01-1M5610-00201	Shim.....	AR
20	01-1M6119-00201	Header - Loading Door Top.....	1
21	01-1M6119-00203	Cover - Header Bottom.....	1
22	01-100V16-0789B	Gasket - Loading Door (Horizontal).....	1
23	01-100V16-0789A	Gasket - Loading Door (Vertical).....	.2
24	01-1M6159-00102	Retainer - Gasket Horizontal.....	1
25	01-1000V4-00073	Anchor - Drop-In 1/4-20.....	1
26	01-1000V4-0073A	Tool - Setting (1/4 In.).....	1
27	01-1M5928-00201	Skin - Floor (LH).....	1
28	01-1M5570-00001	Threshold Weldment.....	1
29	01-1M5928-00202	Skin - Floor (RH).....	1
30	01-100V17-00259	Plug - Pipe 3/8 NPT (Brass).....	1
31	01-100V17-00509	Pipe - Close (3/4 In.) (Non-Rear Drain).....	1
32	01-100V17-00233	Pipe 6-1/2 x 1/2 (Non-Rear Drain).....	1
33	01-100V17-00650	Pipe 3/4 x 2-1/2 NPT (Non-Rear Drain).....	1
34	01-100V17-00510	NLA - Obsolete--Tee 3/4 CRES-DRAIN (Non-Rear Drain).....	1
35	01-100V17-00516	Elbow - Street 3/4 x 90 Deg. (Rear Drain).....	1
36	01-100V17-00517	Fitting 3/4 (Rear Drain).....	1
37	01-100V17-00518	Tube 3/4 x 60 In. (Copper) (Rear Drain).....	1
38	01-1M2335-00001	Wheel (For Installation).....	1
39	01-1M6062-00002	Skin - False Ceiling (LH).....	1
40	01-1M2131-00007	Skin - False Ceiling (RH).....	1
41	01-1M5610-00002	Kit - Threshold Weldment (With Install Hardware).....	1
42	01-1P2429-00003	Kit - Thermometer Holder.....	AR
43	01-1M6116-00002	Ramp Lock - Weldment.....	.2
44	01-1000V7-0027G	Gasket.....	AR
45	01-1M6242-0002B	Insulation Kit - Double Split.....	1
46	01-1000V7-00053	Lamp Assy. (Halogen) (Incls. Items 11, 44, & 47).....	.5
47	01-1000V7-00054	Bulb - Halogen G9 Base (Use W/Item 46 Only).....	AR

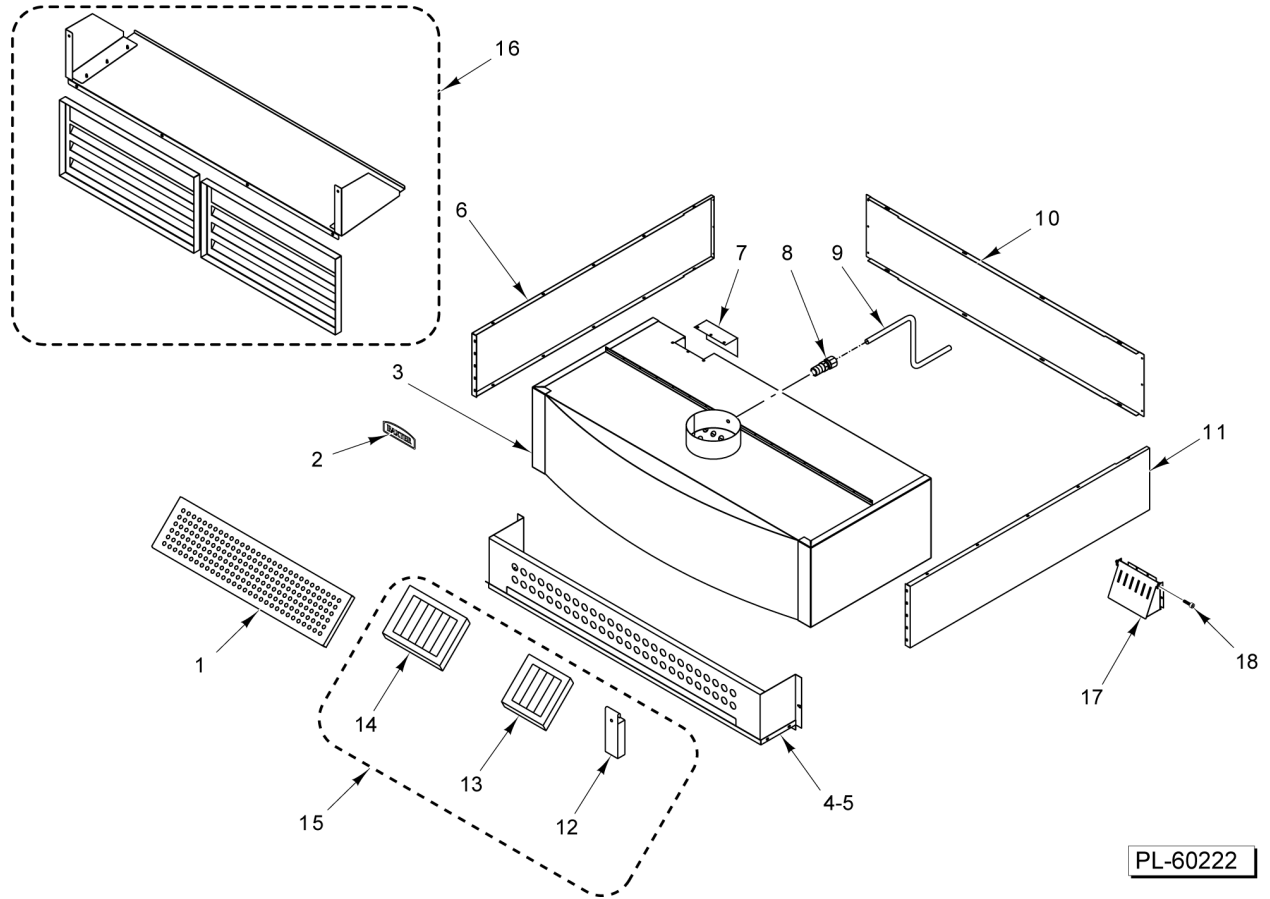
* (Sold Per Foot)



**HOOD
(SINGLE RACK) (ML-132522)**

**HOOD
(SINGLE RACK) (ML-132522)**

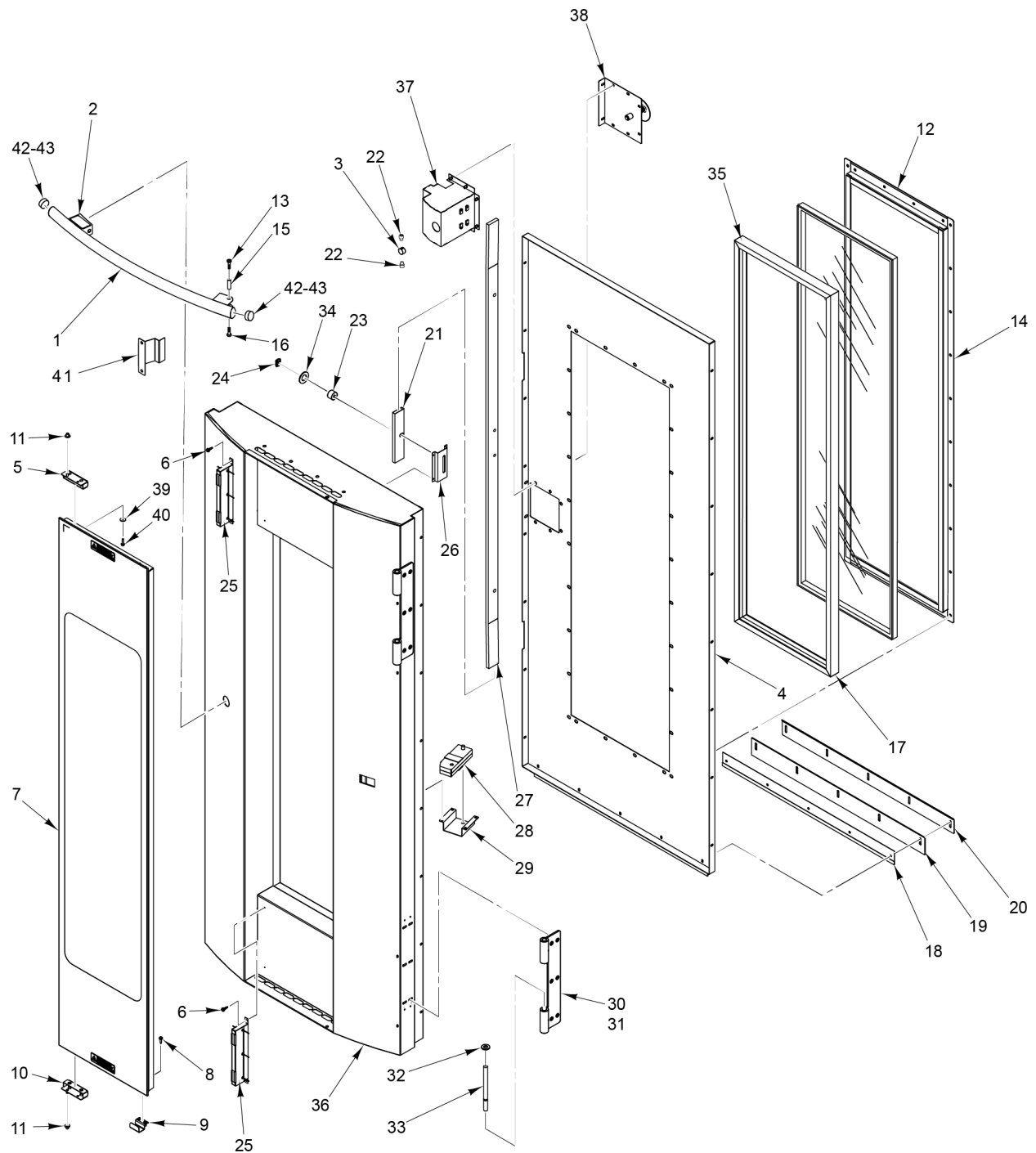
ILLUS. PL-60221	PART NO.	NAME OF PART	AMT.
1	01-100V16-0772B	Nameplate - Baxter Curved (9 In.).....	1
2	01-1M6200-00003	Hood - Curved Front (30 In.) (Incls. Items 1, 5, 9, & 10).....	1
3	01-1M6113-00106	NLA - Obsolete--Baffle - Hood Panel Body.....	1
4	01-1M6113-00107	Baffle - Hood Panel Body.....	1
5	01-1M6115-00101	Trim - Hood Side Single.....	1
6	01-1M5925-00003	Hood - Cover Plate.....	1
7	FP-078-49	Fitting - Tube (1/4 In.) (Brass).....	1
8	01-100V17-00004	Tube 1/4 In. x 72 In. Lg. (Alum.).....	1
9	01-1M5352-00001	Trim - Rear.....	1
10	01-1M6115-00101	Trim - Hood Side Single.....	1
11	01-1M3032-00001	Cup - Hood Grease.....	1
12	01-100V18-00089	Filter - Hood 16 x 20 With Drop.....	1
13	01-100V18-00088	Filter - Hood 16 x 16 With Drop.....	2
14	01-1M6113-00103	Panel - Plenum Hood Single.....	1
15	01-1M5931-00001	Kit - Grease Filter (Single) (Incls. Items 11, 12, & 13).....	1
16	01-1M6368-00001	Kit - Hood Drip Single Rack.....	1
17	01-1M5624-00001	Over Pressure Vent Assy.....	1
18	01-1000V4-00572	Shoulder Screw, #10-32 X 3/8 Thread Length, .25 DIA X 3/8 Shoulder Length.....	2



**HOOD
(DOUBLE RACK) (ML-132524)**

**HOOD
(DOUBLE RACK) (ML-132524)**

ILLUS. PL-60222	PART NO.	NAME OF PART	AMT.
1	01-1M6113-00213	Plenum - Panel Box.....	1
2	01-100V16-0772B	Nameplate - Baxter Curved (9 In.).....	1
3	01-1M6200-00004	Hood - Curved Front (30 In. Deep) Double (Incls. Items 2, 4, 5, 6, 10, & 11).....	1
4	01-1M6113-00211	Baffle - Hood Panel Body.....	1
5	01-1M6113-00212	Baffle - Hood Panel Body.....	1
6	01-1M6115-00201	Trim - Side.....	1
7	01-1M5925-00003	Hood - Cover Plate.....	1
8	FP-078-49	Fitting - Tube (1/4 In.) (Brass).....	1
9	01-100V17-00004	Tube 1/4 In. x 72 In. Lg. (Alum.).....	1
10	01-1M6115-00202	Trim - Rear.....	1
11	01-1M6115-00201	Trim - Side.....	1
12	01-1M3032-00001	Cup - Hood Grease.....	1
13	01-100V18-00089	Filter - Hood 16 x 20 With Drop.....	1
14	01-100V18-00088	Filter - Hood 16 x 16 With Drop.....	3
15	01-1M5931-00002	Kit - Grease Filter (Double) (Incls. Items 12, 13, & 14).....	1
16	01-1M6368-00002	Kit - Hood Drip Double Rack.....	1
17	01-1M5624-00001	Over Pressure Vent Assy.....	1
18	01-1000V4-00572	Shoulder Screw, #10-32 X 3/8 Thread Length, .25 DIA X 3/8 Shoulder Length.....	2

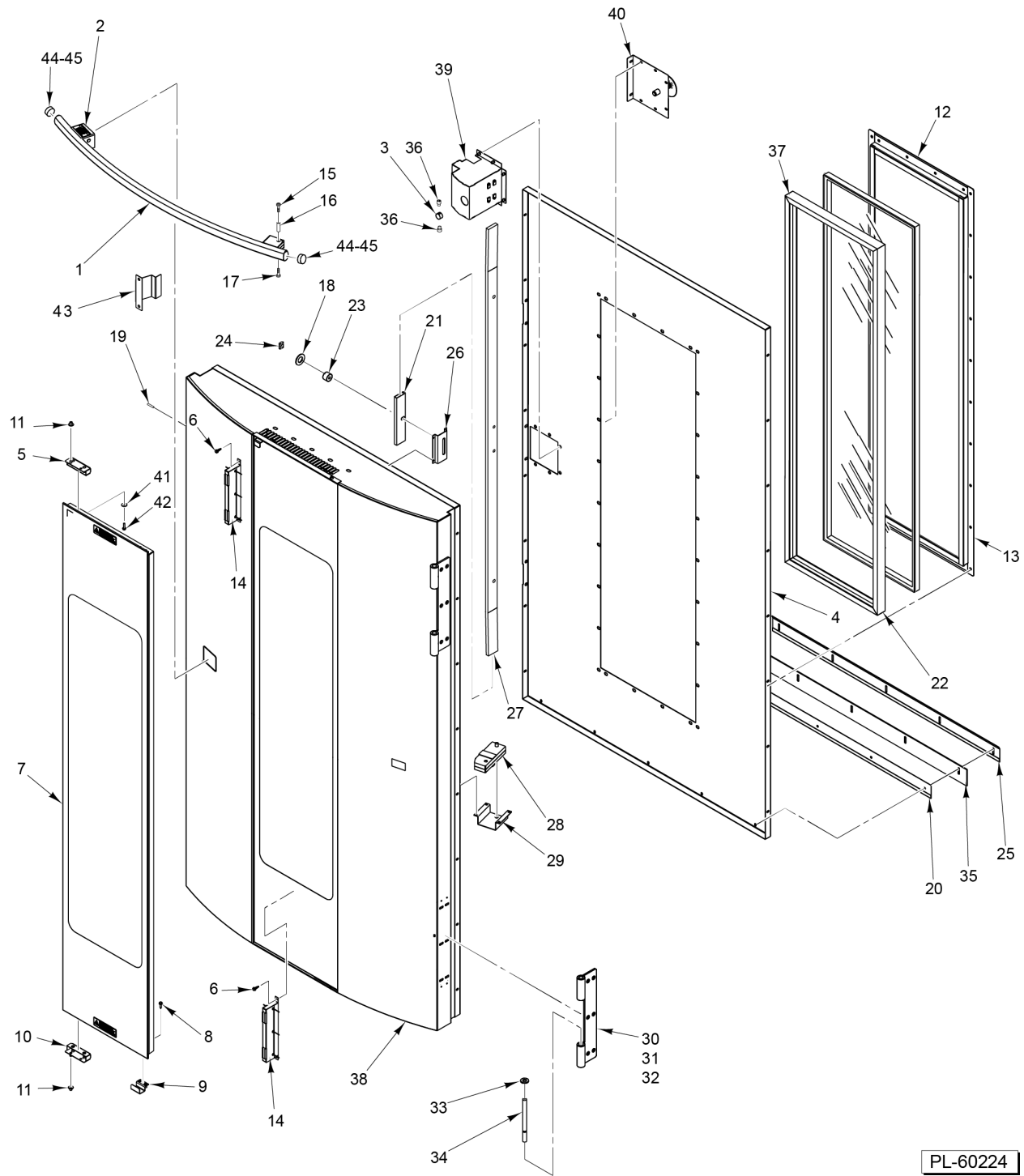


PL-60223

**LOADING DOOR
(SINGLE RACK) (ML-132522)**

**LOADING DOOR
(SINGLE RACK) (ML-132522)**

ILLUS. PL-60223	PART NO.	NAME OF PART	AMT.
1	01-1M6376-00001	Handle - Loading Door.....	1
2	01-100V16-00259	Label - Warning.....	2
3	01-1M6101-00102	Plug - Handle Mount.....	1
4	01-1M6101-00101	Skin - Inner Door.....	1
5	01-1M6110-00005	Bracket.....	1
6	01-1000V4-00426	Screw #10-16 x 3/4 Hex Hd. (Drill Tip) (SST) (Hot).....	4
7	01-1M6946-00001	Kit - Outer Door Glass Assy. (Incls. Items 6 thru 11, 25, 39, & 40).....	1
8	01-1000V4-00400	Cap Screw 10-32 x 3/4 Hex Hd. (SST).....	1
9	01-1M6110-00005	Bracket (Glass Handle).....	1
10	01-1M6110-00002	Pivot - Bottom.....	1
11	01-1000V0-00095	Bearing - Glass Pivot Sleeve.....	1
12	01-1M6106-00002	Retainer - Window Horizontal.....	2
13		Mach. Screw 1/4-20 Phillips Flt. Hd.....	1
14	01-1M6105-00001	Retainer - Window Vertical.....	2
15	01-1M6101-00115	Pin - Handle Hinge (Curved).....	1
16		Mach. Screw 1/4-20 Phillips Flt. Hd.....	1
17	01-100V16-00766	Gasket - Window (One-Piece Fused Corners).....	1
18	01-1M6101-00112	Sweep - Inner Door.....	1
19	01-100V16-0779A	Gasket - Door Sweep.....	1
20	01-1M6101-00113	Sweep - Outer Door.....	1
21	01-1M6101-00210	Bearing - Lock Bar.....	2
22	01-1000V4-00369	Cap Screw 1/4 x 1/4 Hex Socket Hd. (Zinc-Plated).....	AR
23	01-1000V0-00109	Bearing - Door Latch Roller.....	2
24	01-1000V1-00078	Clip - E-Door.....	2
25	01-1M6149-00002	Magnet - Outer Door Weldment (Double).....	2
26	01-1M6101-00109	Lock - Retainer Bar.....	2
27	01-1M7099-00001	Bar - Lock.....	2
28	01-1M6166-00001	Bracket - Handle Pivot.....	1
29	01-1M6166-00002	Support - Handle Pivot.....	1
30	01-1M5918-00003	Hinge Assy. - Jamb Hinge (Incls. Item 31, 32, & 33).....	2
31	01-1M5918-00301	Hinge - Door (Female).....	2
32	01-1000V0-00080	Bearing - Door Hinge (Brass).....	4
33	01-1M5918-00201	Pin - Hinge Loading Door.....	4
34	01-1000V4-00376	Washer.....	AR
35	01-100V21-0065A	Tape - Fiberglass (1/8 x 1).....	AR
36	01-1M6199-00001	Door Assy. (Incls. Items 1 thru 35).....	1
37	01-1M6108-00001	Latch Assy. (Mechanism).....	1
38	01-1M7343-00001	Handle - Interior Door.....	1
39	01-1000V0-00434	Washer.....	2
40	01-1000V0-00284	Screw.....	AR
41	01-1M6526-00001	Bracket - Actuator, Door Switch.....	1
42	00-913135-00228	Plug - Snap In (Round).....	2
43	01-1M6103-0203B	Cap - End (Door Handle) (Oval).....	2



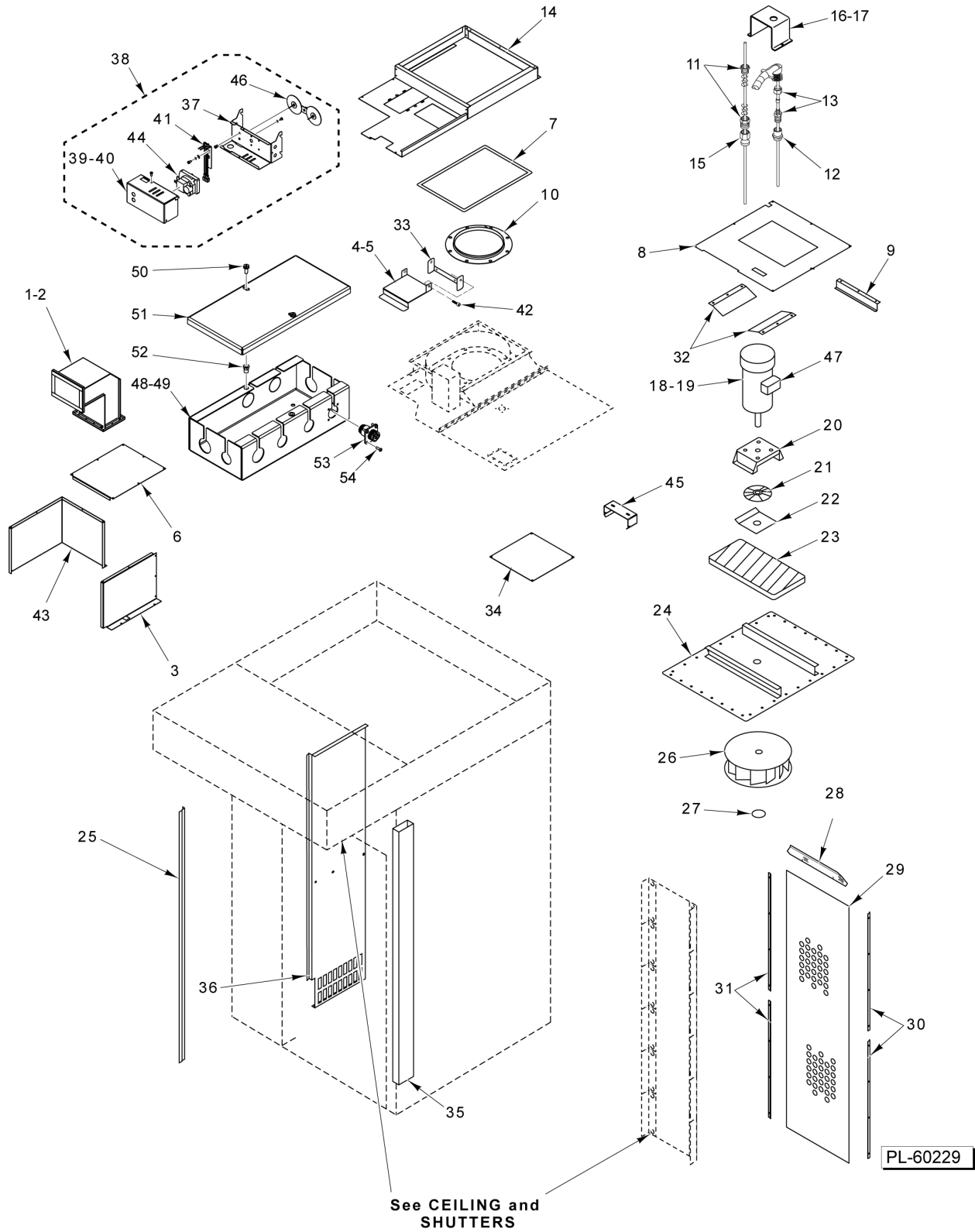
PL-60224

**LOADING DOOR
(DOUBLE RACK) (ML-132524)**

**LOADING DOOR
(DOUBLE RACK) (ML-132524)**

ILLUS. PL-60224	PART NO.	NAME OF PART	AMT.
1	01-1M6376-00002	Handle - Loading Door.....	1
2	01-100V16-00259	Label - Warning.....	2
3	01-1M6101-00102	Plug - Handle Mount.....	1
4	01-1M6101-00201	Skin - Inner Door.....	1
5	01-1M6110-00005	Bracket (Glass Handle).....	1
6	01-1000V4-00426	Screw #10-16 x 3/4 Hex Hd. (Drill Tip) (SST).....	4
7	01-1M6946-00001	Kit - Outer Door Glass Assy. (Incls. Items 6 thru 11, 14, 41, & 42).....	1
8	01-1000V4-00400	Cap Screw 10-32 x 3/4 Hex Hd. (SST).....	1
9	01-1M6110-00005	Bracket (Glass Handle).....	1
10	01-1M6110-00002	Pivot - Bottom.....	1
11	01-1000V0-00095	Bearing - Glass Pivot Sleeve.....	1
12	01-1M6106-00002	Retainer - Window Horizontal.....	2
13	01-1M6105-00001	Retainer - Window Vertical.....	2
14	01-1M6149-00002	Magnet - Outer Door Weldment (Double).....	2
15		Mach. Screw 1/4-20 Phillips Flt. Hd.....	1
16	01-1M6101-00115	Pin - Handle Hinge (Curved).....	1
17		Mach. Screw 1/4-20 Phillips Flt. Hd.....	1
18	01-1000V4-00376	Washer.....	2
19	01-100V12-00008	Rivet.....	8
20	01-1M6101-00202	Sweep - Inner Door.....	1
21	01-1M6101-00210	Bearing - Lock Bar.....	2
22	01-100V16-00766	Gasket - Window (One-Piece Fused Corners).....	1
23	01-1000V0-00109	Bearing - Door Latch Roller.....	2
24	01-1000V1-00083	Retaining Ring 1/4 (SST).....	2
25	01-1M6101-00203	Sweep - Outer Door.....	1
26	01-1M6101-00109	Lock - Retainer Bar.....	1
27	01-1M7099-00001	Bar - Lock.....	1
28	01-1M6166-00001	Bracket - Handle Pivot.....	1
29	01-1M6166-00002	Support - Handle Pivot.....	1
*30	01-1M5918-00004	Hinge Kit (Incls. Item 31, 32, 33, & 34).....	2
31	01-1M5918-00301	Hinge - Door (Female).....	2
32		Set Screw 10-32 x 1/4 Hex Hdls., Cup Pt.....	4
33	01-1000V0-00080	Bearing - Door Hinge (Brass).....	4
34	01-1M5918-00201	Pin - Hinge Loading Door.....	4
35	01-100V16-0779B	Gasket - Door Sweep.....	1
36	01-1000V4-00369	Cap Screw 1/4 x 1/4 Hex Socket Hd. (Zinc-Plated).....	AR
37	01-100V21-0065A	Tape - Fiberglass (1/8 x 1) (18 Ft.) (Sold Per Foot).....	AR
38	01-1M6199-00002	Door Assy. (Incls. Items 1 thru 29, 31, 35, 36, & 37).....	1
39	01-1M6108-00001	Latch Assy. (Mechanism).....	1
40	01-1M7343-00001	Handle - Interior Door.....	1
41	01-1000V0-00434	Washer.....	1
42	01-1000V0-00284	Screw.....	1
43	01-1M6526-00001	Bracket - Actuator, Door Switch.....	1
44	00-913135-00228	Plug - Snap In (Round).....	2
45	01-1M6103-0203B	Cap - End (Door Handle) (Oval).....	2

* (Kit includes quantity for one entire oven.)

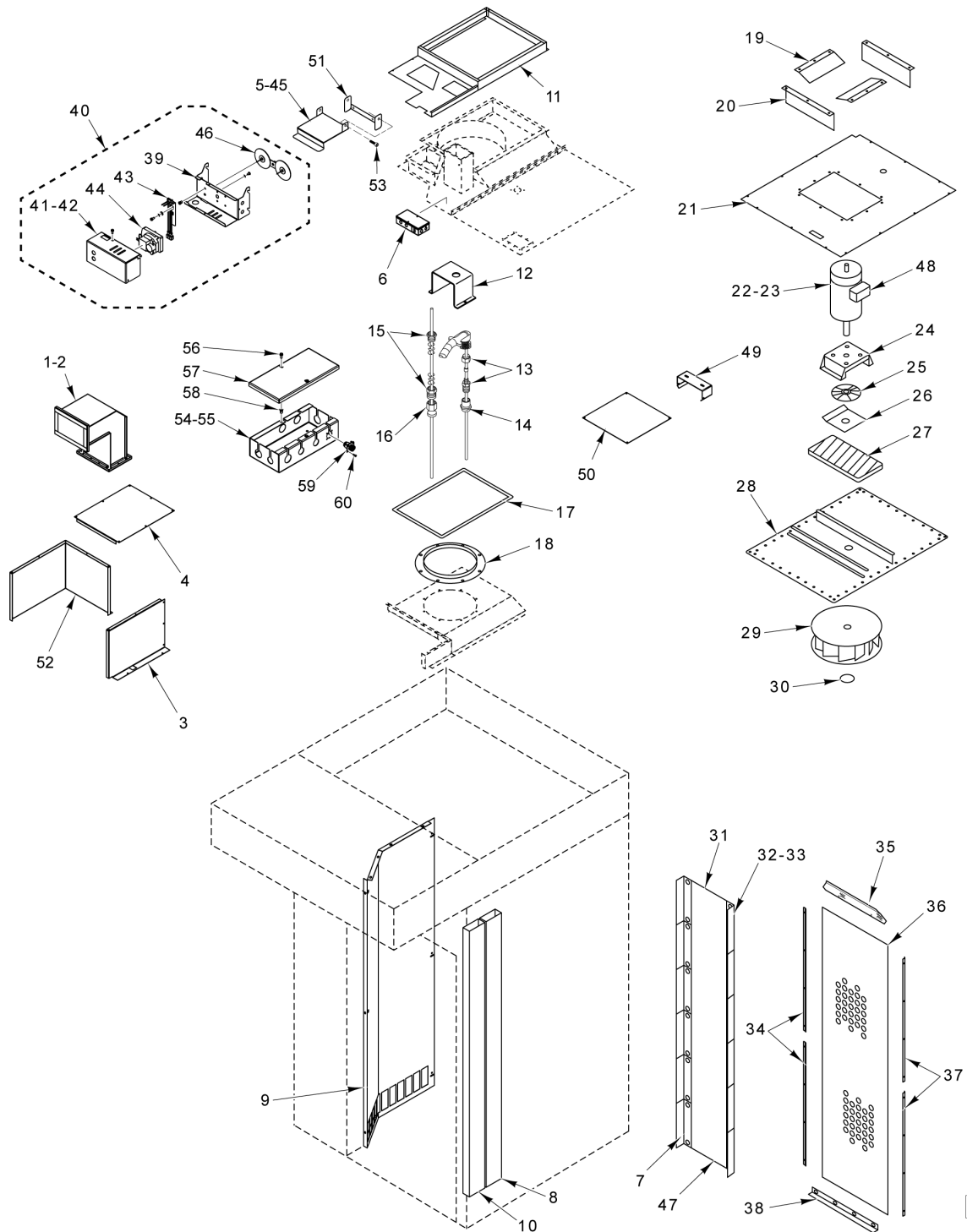


**BLOWER, PANELS, AND VENTS
(SINGLE RACK) (ML-132522)**

BLOWER, PANELS, AND VENTS (SINGLE RACK) (ML-132522)

ILLUS. PL-60229	PART NO.	NAME OF PART	AMT.
1	01-1M6170-00001	Duct - Vent.....	1
2	01-100V16-00682	Gasket - Vent Duct.....	1
3	01-1M2222-00001	Duct - Side.....	1
4	01-1M6549-00001	Vent - Intake Lid.....	1
5	01-100V16-00682	Gasket - Vent Duct.....	1
6	01-1M2224-00001	Duct - Top.....	1
*7	01-100V21-0065A	Tape - Fiberglass (1/8 x 1).....	AR
8	01-1M5542-00001	Cover - Blower Insulation.....	1
9	01-1M2227-00001	Liner - Blower Insulation Cover.....	2
10	01-1M2451-00001	Bell - Inlet.....	1
11	01-100V17-00304	Kit - Stuffing Box.....	1
12	01-100V17-00257	Coupling 1/4 NPT (Brass).....	1
13	01-100V17-00279	Fitting 1/4 x 3/16.....	1
14	01-1M6141-00001	Body - Insulation Blower Cover (LH).....	1
15	01-100V17-00281	Coupler - Reducer.....	1
16	01-1M1433-00001	Protector - Thermocouple.....	1
17	01-1M5515-00001	Thermocouple Assy. - Conduit & Thermocouple.....	1
18	01-1M2060-00002	Blower Assy. (3 Ph.) (Incls. Items 19 thru 24, 26, & 27).....	1
19	01-1000V8-00052	Motor - Blower (3 Ph., 1-1/2 Hp.).....	1
20	01-1M1360-00001	Mount - Blower Motor.....	1
21	01-1M2458-00001	Heat Slinger Assy.....	1
22	01-1M1794-00001	Cover - Blower Insulation.....	1
23	01-1M1795-00001	Insulation - Blower.....	1
24	01-1M2059-00001	Weldment - Blower Mount.....	1
25	01-1M5476-00001	Bracket - Mounting (Suction Panel).....	1
26	01-1000V8-00041	Wheel - Blower (15 In. Dia.).....	1
27	01-1000V1-00028	Ring - Snap.....	1
28	01-1M2101-00004	Z-Bar (Pressure Panel).....	1
29	01-1M2572-00001	Screen - Pressure Panel.....	1
30	01-1M2479-00002	Retainer - Pressure Screen (RH).....	2
31	01-1M2479-00003	Retainer - Pressure Screen (LH).....	2
32	01-1M1895-00001	Cover - Blower Insulation.....	2
33	01-1M6550-00101	Bracket - Vent Lid.....	1
34	01-1M2466-00001	Cover - Outer Exhaust Hole.....	1
35	01-1M2089-00001	Duct - Bottom Vent.....	1
36	01-1M5473-00001	Panel - Suction.....	1
37	01-1M6551-00101	Bracket - Mounting (Vent).....	1
38	01-1M6551-00001	Vent - Motor Actuator - Assy. (Incls. Items 37, 39 thru 41, 44, & 46).....	1
39	01-1M6551-00102	Bracket - Vent Cover.....	1
40	01-1M7509-00001	Kit, Vent Motor Replacement.....	1
41	01-1M6552-00001	Vent Switch Assy. (Vertical Bolt Pattern).....	1
42	01-1000V4-00572	Shoulder Screw, #10-32 X 3/8 Thread Length, .25 DIA X 3/8 Shoulder Length.....	2
43	01-1M2223-00001	Duct - Body.....	1
44	01-1000V8-00179	Motor - Vent Gear (4 RPM, 1/250 HP).....	1
45	01-1M5600-00001	Bracket - Hi-Limit.....	1
46	01-1M6553-00001	Cam - Vent Switch.....	1
47	01-1M5607-00001	Harness - Conduit Blower.....	1
48	01-1M5525-00001	Box - Junction Assy. (Incls. Items 49 thru 54).....	1
49	01-1M5525-00100	Box - Junction.....	1
50	01-1000V4-00474	Screw 10-32 x 1/2 Hex Washer Hd.....	2
51	01-1M5525-00106	Cover - Junction Box.....	1
52	01-1000V4-00121	Insert - Threaded 10-32 Hex.....	2
53	01-1M7496-00001	Receptacle (Water Connection).....	1
54	01-1000V4-00620	Mach. Screw 4-40 x 3/8.....	4

* (Sold Per Inch)



PL-60230

**BLOWER, PANELS, AND VENTS
(DOUBLE RACK) (ML-132524)**

BLOWER, PANELS, AND VENTS (DOUBLE RACK) (ML-132524)

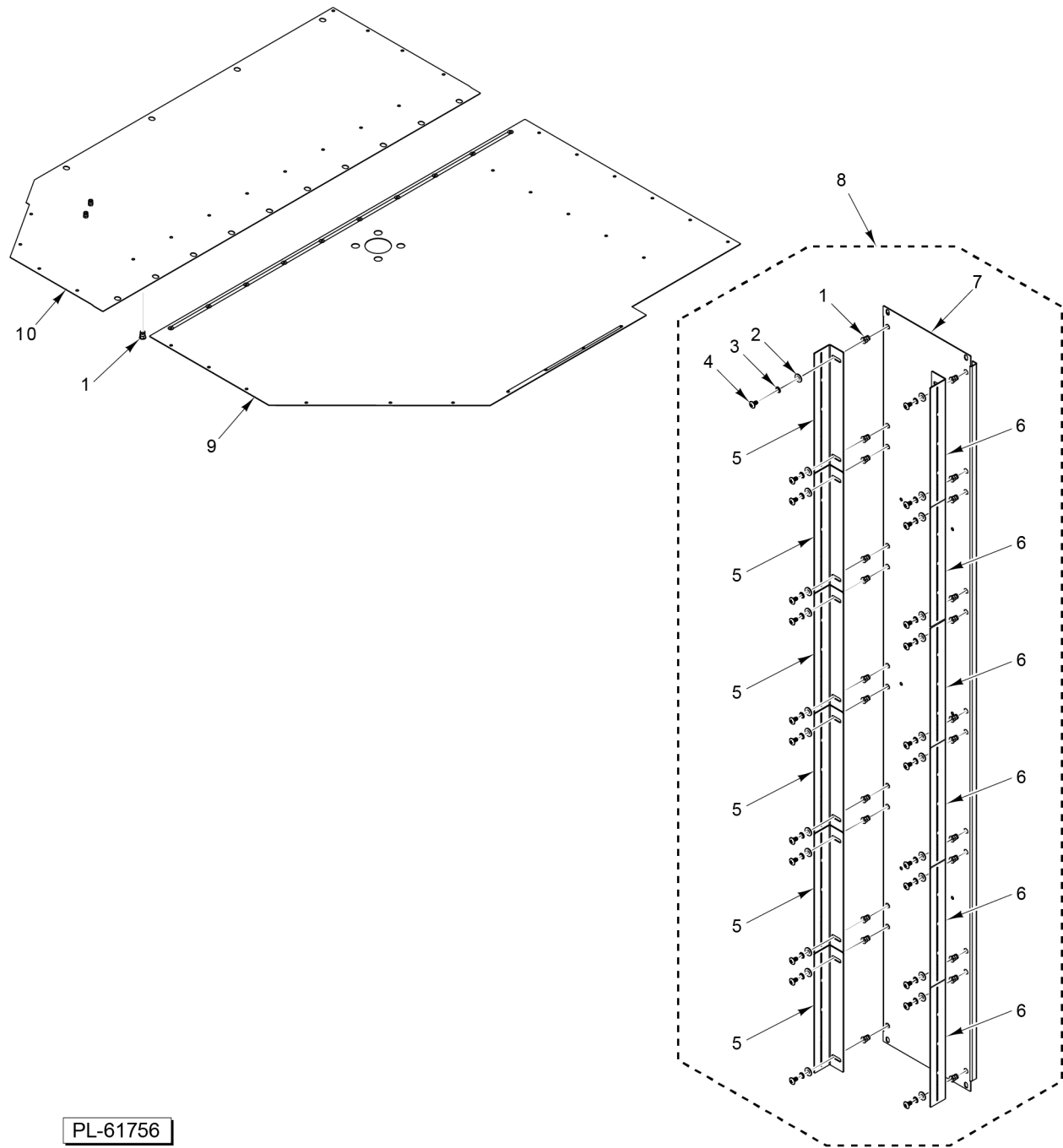
ILLUS. PL-60230	PART NO.	NAME OF PART	AMT.
1	01-1M6170-00001	Duct - Vent Top.....	1
2	01-100V16-00682	Gasket - Vent Duct.....	1
3	01-1M2222-00001	Duct - Side.....	1
4	01-1M2224-00001	Duct - Top.....	1
5	01-1M5834-00001	Vent - Intake Lid.....	1
6	01-1M5525-00001	Box - Junction.....	1
7	01-1M5459-00001	Shutter - Pressure Panel.....	6
8	01-1M2566-00001	Duct - Side (With Obrounds).....	1
9	01-1M6063-00002	Panel - Suction.....	1
10	01-1M2089-00001	Duct - Bottom Vent (Without Obrounds).....	1
11	01-1M6141-00002	Body - Insulation Blower Cover Double (LH).....	1
12	01-1M1433-00001	Protector - Thermocouple.....	1
13	01-100V17-00279	Fitting 1/4 x 3/16.....	1
14	01-100V17-00257	Coupling 1/4 NPT (Brass).....	1
15	01-100V17-00304	Kit - Stuffing Box.....	1
16	01-100V17-00281	Coupler - Reducer 3/8 to 1/4.....	1
*17	01-100V21-0065A	Tape - Fiberglass (1/8 x 1).....	AR
18	01-1M2451-00002	Bell - Inlet.....	1
19	01-1M1895-00001	Cover - Blower Insulation.....	2
20	01-1M2227-00001	Liner - Blower Insulation Cover.....	2
21	01-1M6154-00201	Cover - Blower Insulation.....	1
22	01-1M5025-00001	Blower Assy. (3 Ph.) (Incls. Items 23 thru 30).....	1
23	01-1000V8-00052	Motor - Blower (3 Ph., 1-1/2 Hp.).....	1
24	01-1M1360-00001	Mount - Blower Motor.....	1
25	01-1M2458-00001	Heat Slinger Assy.....	1
26	01-1M1794-00001	Cover - Blower Insulation.....	1
27	01-1M1795-00001	Insulation - Blower.....	1
28	01-1M5026-00001	Weldment - Blower Mount.....	1
29	01-1000V8-00058	Wheel - Blower (18 In. Dia.).....	1
30	01-1000V1-00028	Ring - Snap.....	1
31	01-1M2096-00002	Body - Shutter Panel Support.....	1
32	01-1M5459-00002	Shutter - Pressure Panel.....	6
33	01-1000V4-00122	Insert - Threaded 1/4-20.....	4
34	01-1M5686-00206	Retainer - Pressure Panel.....	2
35	01-1M5686-00207	Retainer - Pressure Panel Top.....	1
36	01-1M2572-00001	Screen - Pressure Panel.....	1
37	01-1M5686-00206	Retainer - Pressure Panel.....	2
38	01-1M5686-00205	Retainer - Pressure Panel.....	1
39	01-1M6551-00101	Bracket - Mounting (Vent).....	1
40	01-1M6551-00001	Vent - Motor Actuator - Assy. (Incls. Items 39, & 41 thru 44, & 46).....	1
41	01-1M6551-00102	Bracket - Vent Cover.....	1
42	01-1M7509-00001	Kit, Vent Motor Replacement.....	1
43	01-1M6552-00001	Vent Switch Assy. (Vertical Bolt Pattern).....	1
44	01-1000V8-00179	Motor - Vent Gear (4 RPM, 1/250 HP).....	1
45	01-100V16-00682	Gasket - Vent Duct.....	1
46	01-1M6553-00001	Cam - Vent Switch.....	1
47	01-1M5177-00001	Pressure Panel Assy. (Incls. Items 7, 31, 32, & 33).....	1
48	01-1M5607-00002	Harness - Conduit Blower.....	1
49	01-1M5600-00001	Bracket - High Limit.....	1
50	01-1M2466-00001	Cover - Outer Exhaust Hole.....	1
51	01-1M6550-00101	Bracket - Vent Lid.....	1
52	01-1M2223-00001	Duct - Body.....	1
53	01-1000V4-00572	Shoulder Screw, #10-32 X 3/8 Thread Length, .25 DIA X 3/8 Shoulder Length.....	2
54	01-1M5525-00001	Box - Junction Assy. (Incls. Items 55 thru 60).....	1
55	01-1M5525-00100	Box - Junction.....	1

**BLOWER, PANELS, AND VENTS
(DOUBLE RACK) (ML-132524)**

ILLUS.	PART NO.	NAME OF PART	AMT.
PL-60230			
56	01-1000V4-00474	Screw 10-32 x 1/2 Hex Washer Hd.....	2
57	01-1M5525-00106	Cover - Junction Box.....	1
58	01-1000V4-00121	Insert - Threaded 10-32 Hex.....	2
59	01-1M7496-00001	Receptacle (Water Connection).....	1
60	01-1000V4-00620	Mach. Screw 4-40 x 3/8.....	4

* (Sold Per Inch)

NOTES

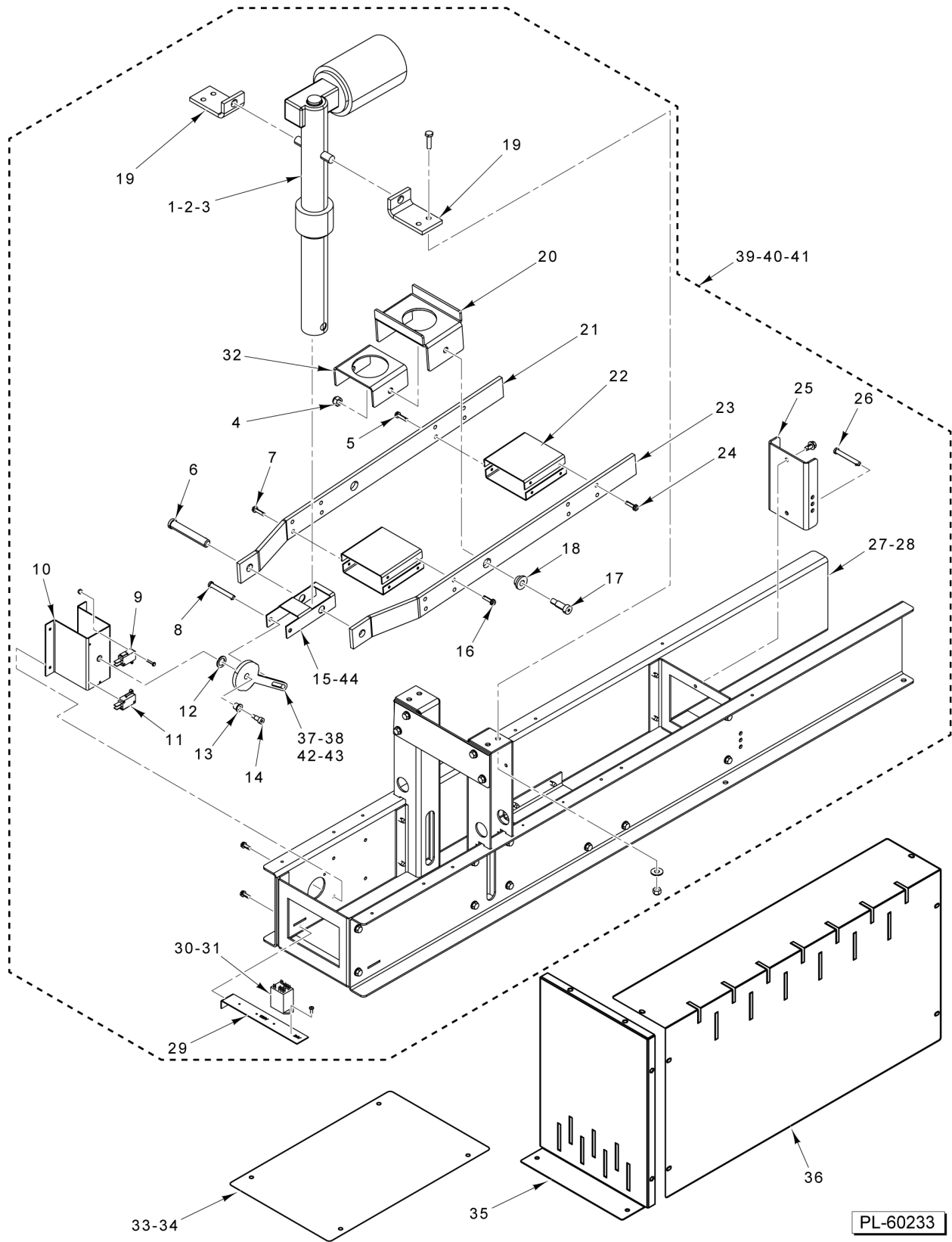


PL-61756

**CEILING AND SHUTTERS
(SINGLE RACK) (ML-132522)**

**CEILING AND SHUTTERS
(SINGLE RACK) (ML-132522)**

ILLUS. PL-61756	PART NO.	NAME OF PART	AMT.
1	01-1000V4-00122	Insert - Threaded 1/4-20.....	AR
2	01-1000V4-00433	Washer 1/4 In. (SST).....	AR
3	01-1000V4-00470	Lockwasher.....	AR
4	01-1000V4-00503	Mach. Screw 1/4-20 x 1/2 In.....	AR
5	01-1M5459-00001	Shutter - Pressure Panel 90 Deg.....	6
6	01-1M5459-00002	Shutter - Pressure Panel 97 Deg.....	6
7	01-1M5523-00001	Body - Pressure Panel Shutter Support.....	1
8	01-1M5458-00001	Panel - Pressure Shutter Assy. (Incls. Items 1 thru 7).....	1
9	01-1M7049-00004	Ceiling Assy. - False (RH).....	1
10	01-1M7049-00002	Ceiling Assy. - False (LH).....	1



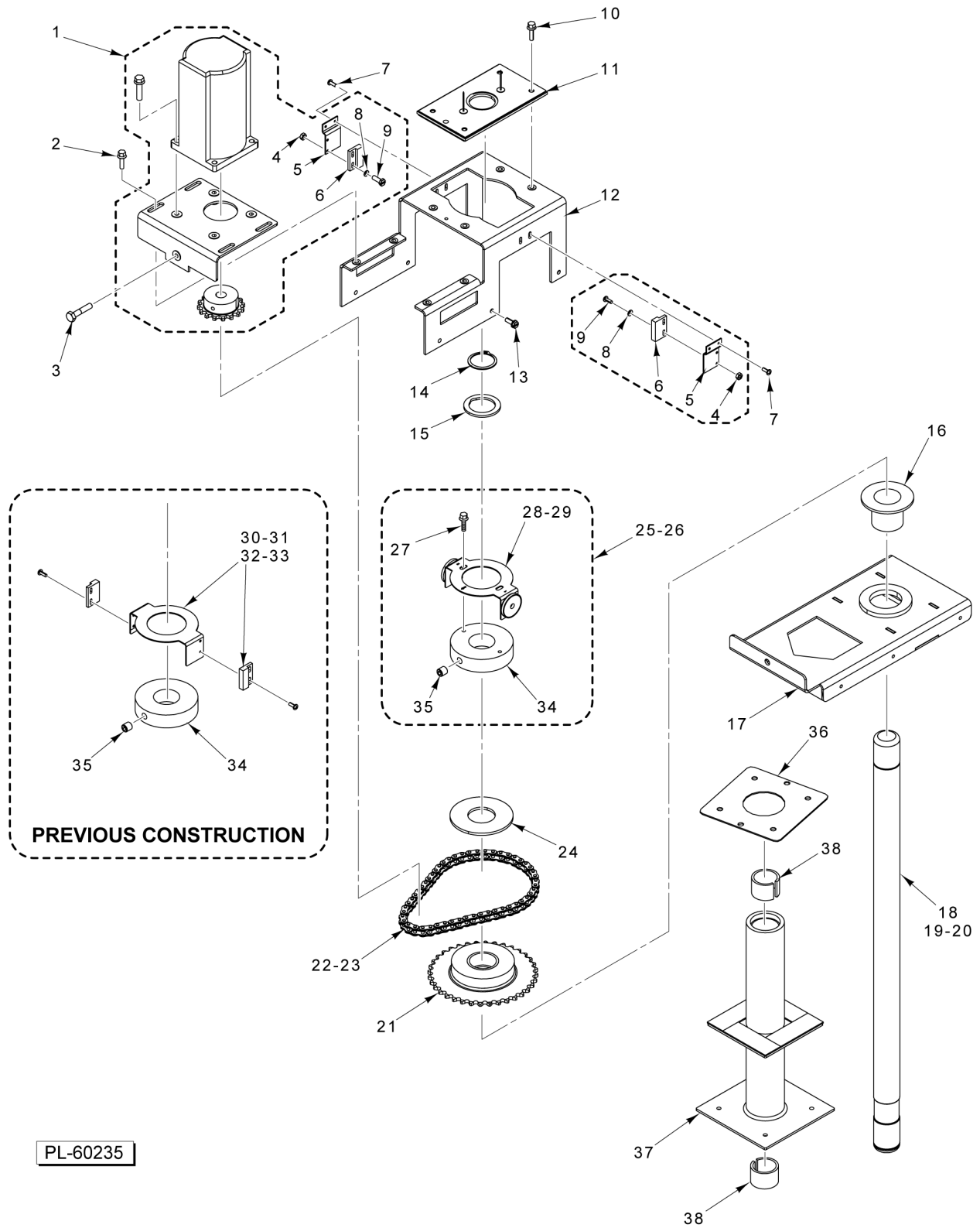
PL-60233

LIFTER

LIFTER

ILLUS.	PART NO.	NAME OF PART	AMT.
PL-60233			
1	01-1M6630-00002	Harness - Rack Lift.....	1
2	01-1M7545-00001	Kit - Rack Lift Actuator (ML-132521 to ML-132578).....	1
*3	01-1000V8-0158C	Capacitor - 30uF / 300Vac (Type 1 Heavy Duty).....	1
4	01-1000V4-00380	Nut 5/16-18 NYLOCK.....	2
5		Screw 10-32.....	4
6	01-1000V1-00109	Pin - Clevis (1/2 x 2-3/4 In.).....	1
7		Screw 10-32.....	4
8	01-1000V1-00087	Pin - Clevis (1/4 x 2 In.).....	1
9	01-1000V6-00343	Switch - Lever SPST.....	1
10	01-1M6603-00001	Bracket Assy. - Switch.....	1
11	01-1000V6-00343	Switch - Lever SPST.....	1
12	01-1000V4-00433	Washer 1/4 In. (SST) - Flat, 1/4" (0.281 ID, 0.688 OD, 0.06 Thk, SST W/Blk Oxide)	1
13	01-1000V0-00139	Bearing - Flanged Sleeve.....	1
14	01-1000V4-00572	Shoulder Screw, #10-32 X 3/8 Thread Length, .25 DIA X 3/8 Shoulder Length.....	1
15	01-1M6600-00204	Arm - Lift Switch Actuating (Before 3/1/23).....	1
16		Screw 10-32.....	4
17	01-1000V4-00379	Bolt - Shoulder.....	2
18	01-1000V0-00121	Bearing.....	2
19	01-1M6600-00202	Bracket - Mounting (Linear Actuator).....	2
20	01-1M6601-00103	Support - Rotator.....	1
21	01-1M6601-00101	Arm - Lifting.....	1
22	01-1M6601-00102	Brace - Lifting Arm.....	4
23	01-1M6601-00101	Arm - Lifting.....	1
24		Screw 10-32.....	4
25	01-1M6600-00203	Bracket - Support.....	1
26	01-1000V1-00087	Pin - Clevis (1/4 x 2 In.).....	2
27	01-1M6599-00001	Lifter Body Assy. (ML-132522).....	1
28	01-1M6599-00002	Lifter Body Assy. (ML-132524).....	1
29	01-1M6600-00104	Bracket - Relay.....	1
30	01-1000V6-00271	Relay - D.P.D.T. (1/2 Hp., 120 VAC).....	1
31	01-1000V6-00297	Relay - DPDT 1/2 HP. (24V Coil).....	1
32	01-1M6601-00104	Support - Rotator.....	1
33	01-1M6608-00004	Cover - Front (ML-132524).....	1
34	01-1M6608-00003	Cover - Front (ML-132522).....	1
35	01-1M6608-00001	Cover - Front/Back.....	2
36	01-1M6608-00002	Cover - Side.....	2
37	01-1M6600-00205	Cam - Lift Switch (Before 3/1/23).....	1
38	01-1M6600-00605	Cam - Lift Switch (A Style Carrier) (V-Notch Up) (Before 3/1/23).....	1
39	01-1M7551-00001	Rack Lift Assy. (B or C Type Lifter) (ML-132522).....	1
40	01-1M7551-00002	Rack Lift Assy. (B or C Type Lifter) (ML-132524).....	1
41	01-1M7551-00006	Rack Lift Assy. (A Type Lifter) (ML-132524).....	1
42	01-1M7551-00102	Cam - Lift Switch (Starting 3/1/23 or with 01-1M7551-00103 Actuator).....	1
43	01-1M7551-00104	Cam - Lift Switch (A Type Lifter) (Starting 3/1/23 or with 01-1M7551-00103 Actuator)	1
44	01-1M7551-00101	Bracket - Lift Actuator (Starting 3/1/23 or with 01-1M7551-00103 Actuator).....	1

* For Use With 01-1000V8-00158 Actuator Only



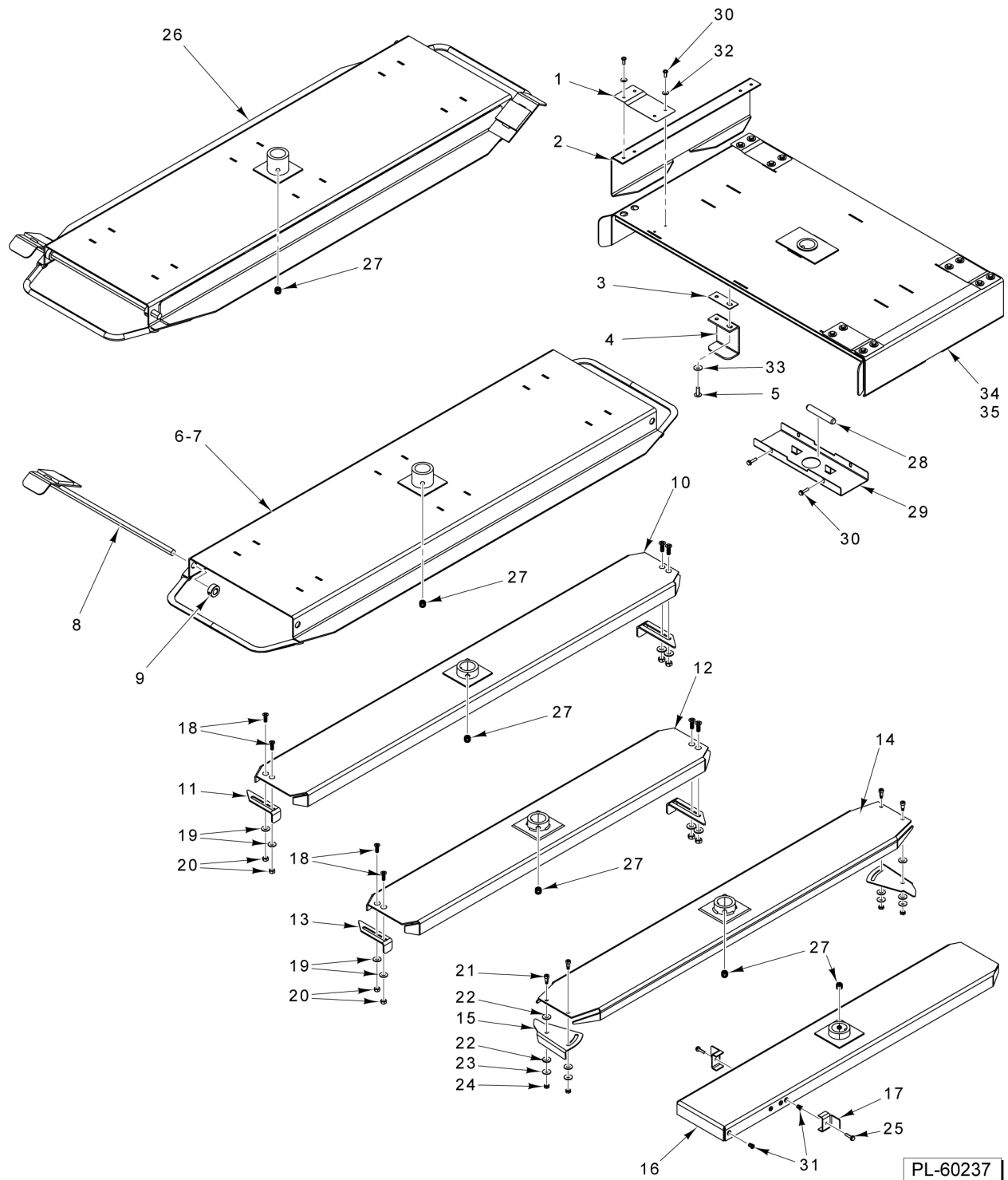
ROTATOR

ILLUS. PL-60235	PART NO.	NAME OF PART	AMT.
1	01-1M7318-00001	Rotation Motor Assy. (Incls. Items 4 thru 6, 8, & 9).....	1
2	01-1000V4-00284	Screw 10-32 x 3/4 Hex Washer Hd., Serrated Flange (SST).....	4
3	01-1000V4-00564	Screw, Sheet Metal Hex Hd. W/ Washer 1/4-20 x 1 (SST).....	1
4	01-1000V4-00586	Nut.....	4
5	01-1M6604-00106	Bracket - Rotate Switch.....	2
6	01-1M5777-00101	Switch (Magnetic).....	2
7	01-1000V4-00515	Screw - Sheet Metal, Pan Hd. 6-32 x 3/8.....	AR
8	01-1000V4-00585	Flat Washer.....	4
9	01-1000V4-00584	Screw.....	4
10	01-1000V4-00284	Screw 10-32 x 3/4 Hex Washer Hd., Serrated Flange (SST).....	4
11	01-1M6606-00002	Shaft Alignment Assy.....	1
12	01-1M6604-00201	Bracket - Mounting.....	1
13	01-1000V4-00385	Screw - Sheet Metal, Hex Hd. 10-16 x 3/4.....	4
14	01-1000V1-00085	Snap Ring.....	1
15	01-1M6704-00001	Shim - Carrier.....	1
16	01-1000V0-00114	Bearing - Flange.....	1
17	01-1M6605-00001	Rotator - Lifter.....	1
18	01-1M6604-00105	Shaft - Rotator (B Style).....	1
19	01-1M6773-00101	Shaft - Rotator (A Style).....	1
20	01-1M6604-00305	Shaft - Rotator (C Style).....	1
21	01-1M6610-00001	Sprocket - Rotator.....	1
22	01-1000V3-0087A	Chain - Roller 20-1/8 In.....	1
23	01-1000V3-00088	Link - Connecting.....	AR
24	01-1M6604-00104	Clutch - Slide.....	1
*25	01-1M6629-00003	Magnet Switch Assy. (One Magnet) (A Style Double Rack) (C Style Single Rack) (Incls. Items 27 thru 29, 34, & 35).....	1
*26	01-1M6629-00004	Magnet Switch Assy. (Two Magnets) (B Style) (C Style Single Rack) (Incls. Items 27 thru 29, 34, & 35).....	1
27	01-1000V4-00284	Screw 10-32 x 3/4 Hex Washer Hd., Serrated Flange (SST).....	2
28	01-1M6880-00003	Pointer Assy. (One Magnet) (A Style Double Rack) (C Style Single Rack).....	1
29	01-1M6880-00004	Pointer Assy. (Two Magnets) (B Style) (C Style Double Rack).....	1
**30	01-1M6916-00001	Kit - Magnet Replacement (One Magnet) (A Style Double Rack) (C Style Single Rack)	1
**31	01-1M6916-00002	Kit - Magnet Replacement (Two Magnets) (B Style) (C Style Double Rack).....	1
***32	01-1M6880-00001	Pointer Assy. (Incls. Tape) (One Magnet) (A Style Double Rack) (C Style Single Rack)	1
***33	01-1M6880-00002	Pointer Assy. (Incls. Tape) (Two Magnets) (B Style) (C Style Double Rack).....	1
34	01-1M6604-00103	Collar, Set - Rotator.....	1
35	01-1000V4-00161	Screw, Set - Allen (3/8-16).....	1
36	01-1M6715-00001	Clamp - Rotator Housing.....	1
37	01-1M6662-00001	Housing - Shaft.....	1
38	01-1M7464-00001	Kit - Bearing (Shaft Housing).....	1

* (Used on Machines Built After 11/6/13)

** (Used on Machines Built Before 9/15/13)

*** (Used on Machines Built After 9/15/13 and Before 11/6/13)

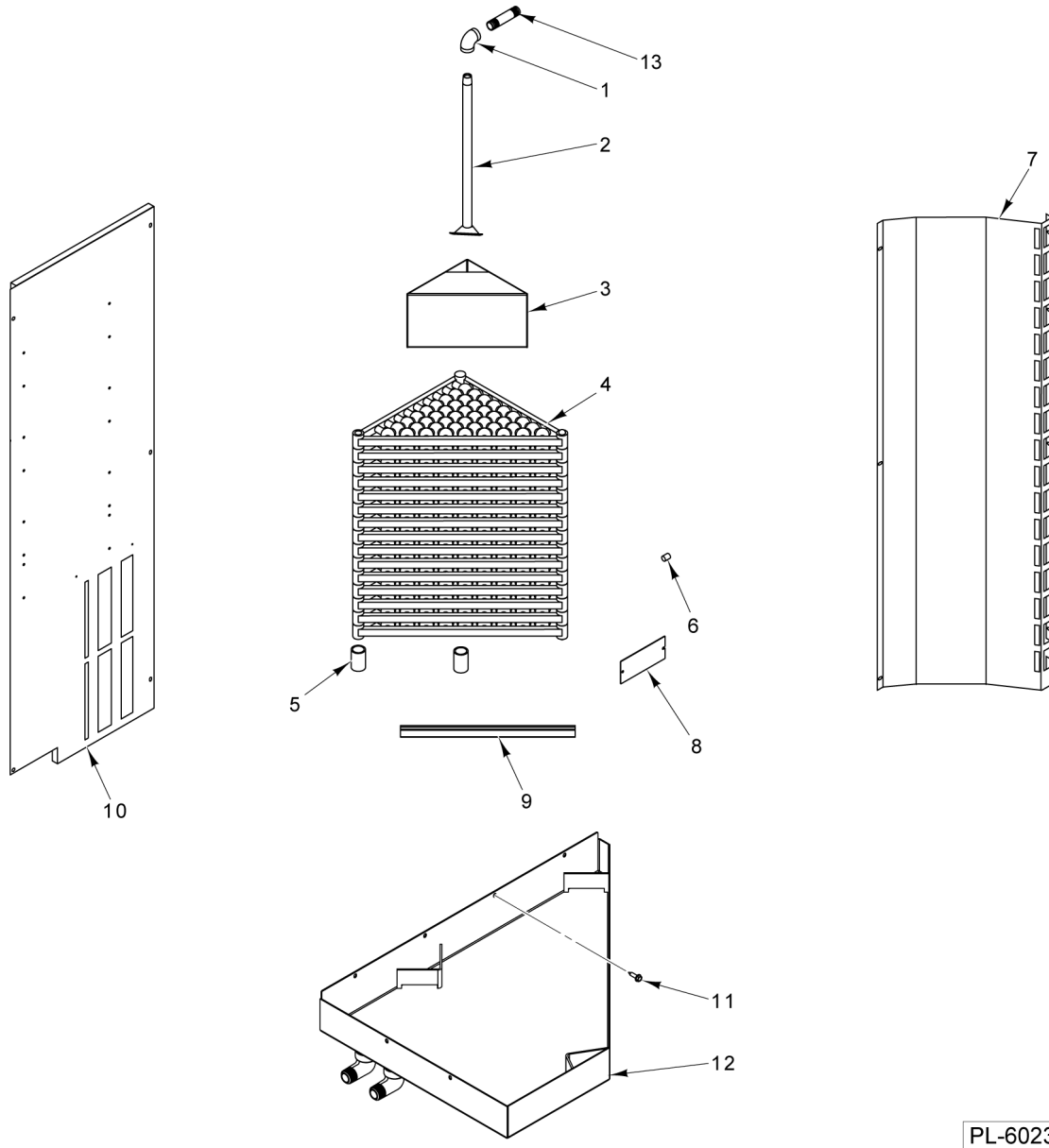


PL-60237

CARRIER

CARRIER

ILLUS. PL-60237	PART NO.	NAME OF PART	AMT.
1	01-1M5367-00001	Strap - Side Support.....	4
2	01-1M5368-00001	Channel - Side Hanger.....	2
3	01-1M5369-00002	Shim - Support.....	4
4	01-1M5366-00001	Channel - Support Hanger.....	2
5	01-1000V4-00534	Bolt 1/4-20 x 3/4 In.....	4
6	01-1M6622-00002	Carrier (B Style) (Double Rack) (Incls. Items 8, 9, & 27) (15.60 in wide).....	1
7	01-1M6622-00001	Carrier (B Style) (Single Rack) (Incls. Items 8, 9, & 27) (15.60 in wide).....	1
8	01-1M2580-00002	Stop - Rack Carrier (B Style Carrier).....	2
9	01-1000V1-00013	Collar - Set 1/2 In. Dia.....	4
10	01-1M6770-00003	Carrier (C Style) (42-1/2 In. Stops) (Incls. Items 11, 18 thru 20, & 27).....	1
11	01-1M4862-00101	Latch - Carrier.....	2
12	01-1M6770-00004	Carrier (C Style) (33 In. Stops) (Incls. Items 13, 18 thru 20, & 27).....	1
13	01-1M4862-00101	Latch - Carrier.....	2
14	01-1M6770-00007	Carrier (C Style) (Panera) (Incls. Items 15, 21 thru 24, & 27).....	1
15	01-1M4862-00701	Lock - Carrier (Double Models Only) (Panera Bread Only).....	2
16	01-1M6770-00005	Carrier (C Style) (Single Rack) (Incls. Items 17, 25, 27, & 31).....	1
17	01-1M4862-00201	Stop - Rack Carrier (C Style Carrier).....	2
18	01-1000V4-00074	Mach. Screw 1/4-20 x 3/4 Phil. Flat Hd.....	4
19	01-1000V4-00433	Washer 1/4 In. (SST).....	4
20	01-1000V4-00599	Nut 1/4 In. (SST) (Toplock - Vibration Resistant).....	4
21	01-1000V4-00281	Screw, Shoulder #10-32, 1/4 x 3/8 In. (SST).....	4
22	01-1000V4-00433	Washer 1/4 In. (SST).....	6
23	01-1000V4-00434	Washer #10 (SST).....	4
24	01-1000V4-00336	Nut #10-32 W/ Lockwasher (SST).....	4
25	01-1000V4-00284	Screw 10-32 x 3/4 Hex Washer Hd., Serrated Flange (SST).....	2
26	01-1M6622-00004	Carrier (B Style W/Welded Extensions) (16.875 In. Wide) (Incls. Items 8, 9, & 27)	1
27	01-1000V4-00654	Screw - Set 3/8-24 x 3/8 (Knurled Tip).....	2
28	01-1M6942-00001	Pin - Locking (A Style Lift 1.25 " Shaft).....	1
29	01-1M6772-00101	Plate - Cover, Pin.....	1
30	01-1000V4-00284	Screw 10-32 x 3/4 Hex Washer Hd., Serrated Flange (SST).....	AR
31	01-1000V4-00121	Insert - Threaded 10-32 Hex.....	6
32	01-1000V4-00434	Washer #10 (SST).....	AR
33	01-1000V4-00433	Washer 1/4 In. (SST).....	4
34	01-1M6772-00001	Carrier (A Style) (Double Rack) (Incls. Items 1 thru 5, 28 thru 30, & 32, 33, & 35).....	1
35	01-1000V4-00121	Insert - Threaded 10-32 Hex.....	16

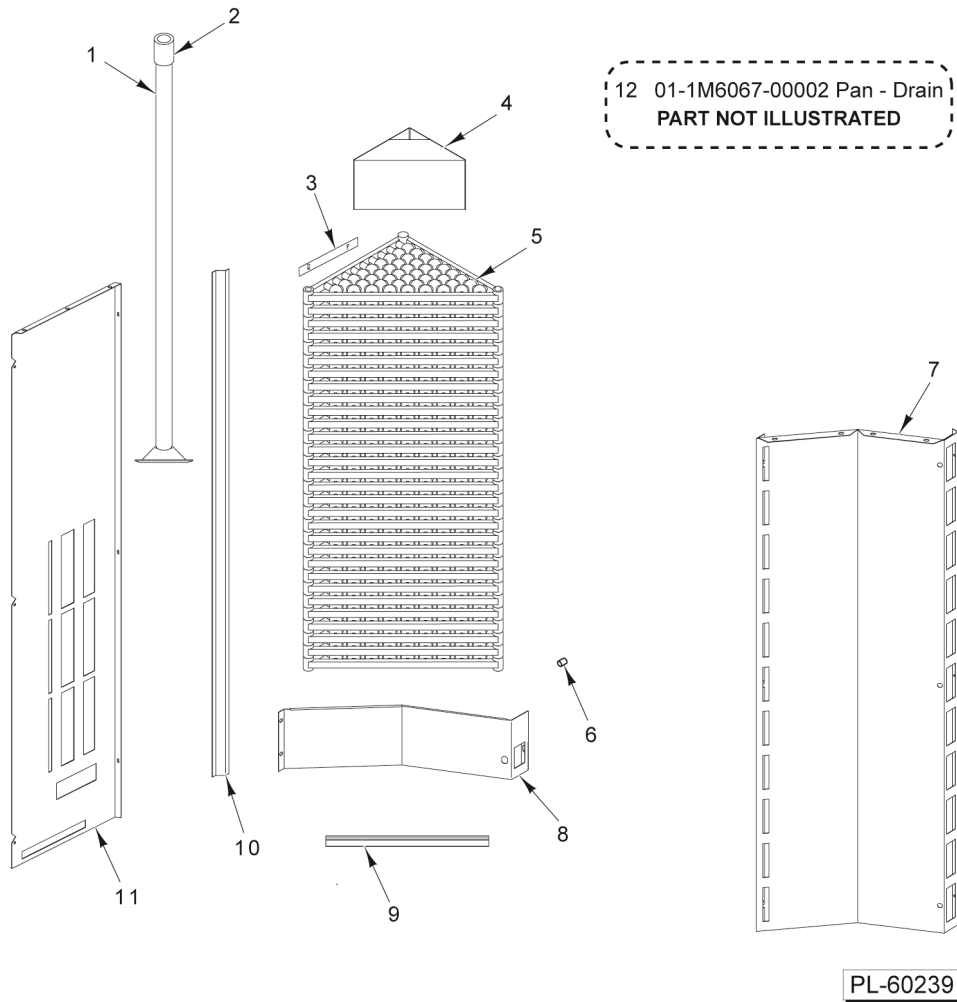


PL-60238

**STEAMER ASSEMBLY
(SINGLE RACK) (ML-132522)**

**STEAMER ASSEMBLY
(SINGLE RACK) (ML-132522)**

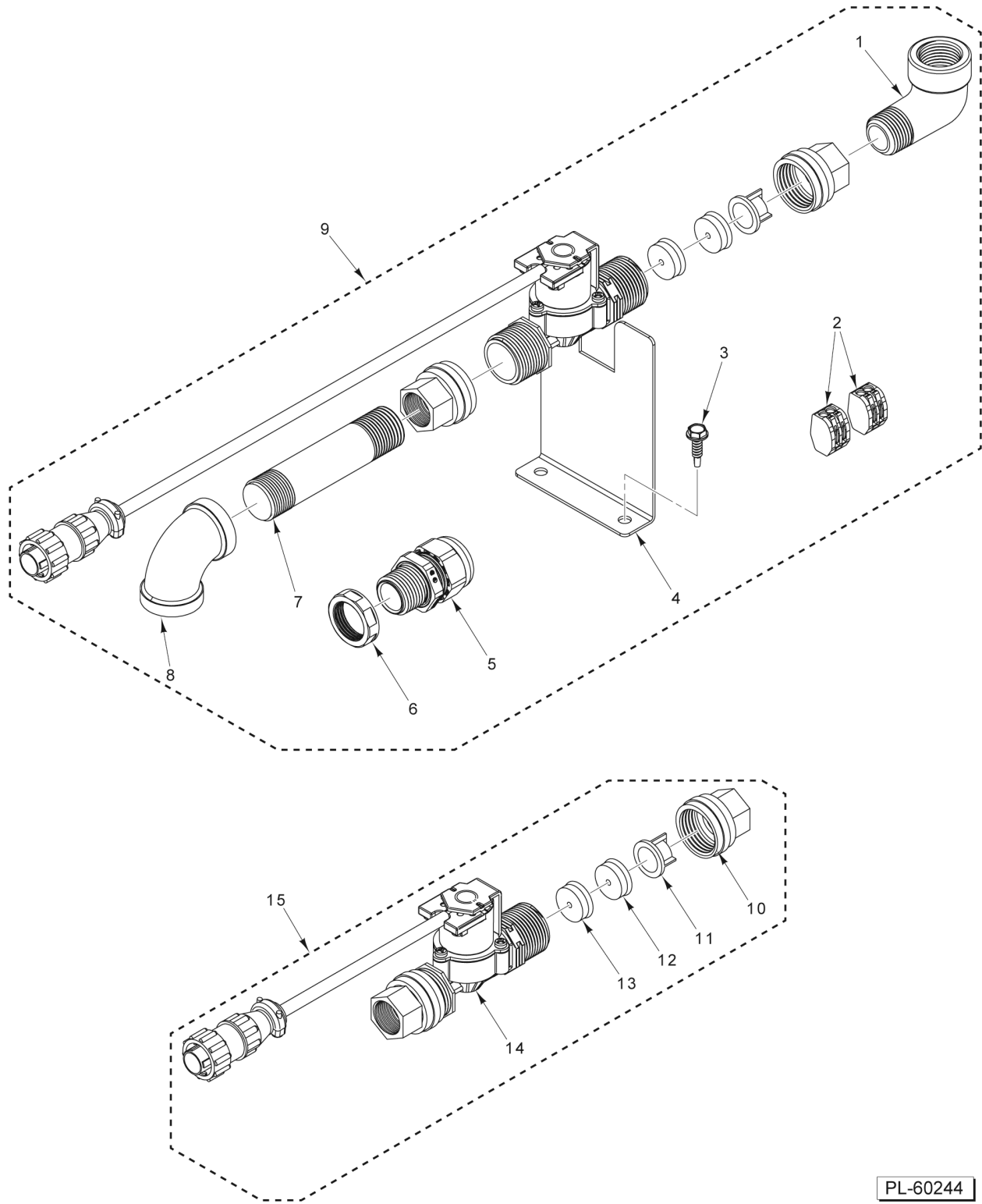
ILLUS. PL-60238	PART NO.	NAME OF PART	AMT.
1	01-100V17-00347	Elbow 1/2 In. x 90 Deg.....	1
2	01-1M7100-00004	Manifold Assy. - Steamer.....	1
3	01-1M5198-00001	Box Weldment - Steamer.....	1
4	01-100V16-00529	Casting - Steamer.....	AR
5	01-1M5536-00001	Support - Steamer Castings.....	2
6	01-1M2161-00001	Screw - Leveler.....	1
7	01-1M5474-00001	Panel - Steamer.....	1
8	01-1M5446-00002	Plate - Steam Loader Bolt Cover.....	1
9	01-1M5065-00001	Bracket - Water Guide.....	AR
10	01-1M5471-00001	Panel - Steamer (Rear).....	1
11	01-1000V4-00009	Screw - Sheet Metal Hex Hd.....	AR
12	01-1M5429-00001	Pan - Drain.....	1
13	01-100V17-00534	Pipe 1/2 x 3-1/2 (SST).....	1



**STEAMER ASSEMBLY
(DOUBLE RACK) (ML-132524)**

**STEAMER ASSEMBLY
(DOUBLE RACK) (ML-132524)**

ILLUS. PL-60239	PART NO.	NAME OF PART	AMT.
1	01-1M5146-00001	Manifold Assy. - Steamer.....	1
2	01-100V17-00183	Coupler 1/2 In. (SST).....	1
3	01-1M5171-00001	Angle - Shutter Casting (Top Section).....	1
4	01-1M5198-00001	Box Weldment - Steamer.....	1
5	01-100V16-00529	Casting - Steamer.....	30
6	01-1M2161-00001	Screw - Leveler.....	1
7	01-1M6065-00002	Panel - Steamer Outer.....	1
8	01-1M6066-00002	Panel - Steamer Pan.....	1
9	01-1M5065-00001	Bracket - Water Guide.....	5
10	01-1M5939-00002	Angle - Shutter Casting.....	1
11	01-1M6064-00002	Panel - Steamer (Rear).....	1
12	01-1M6067-00002	Pan - Drain.....	1



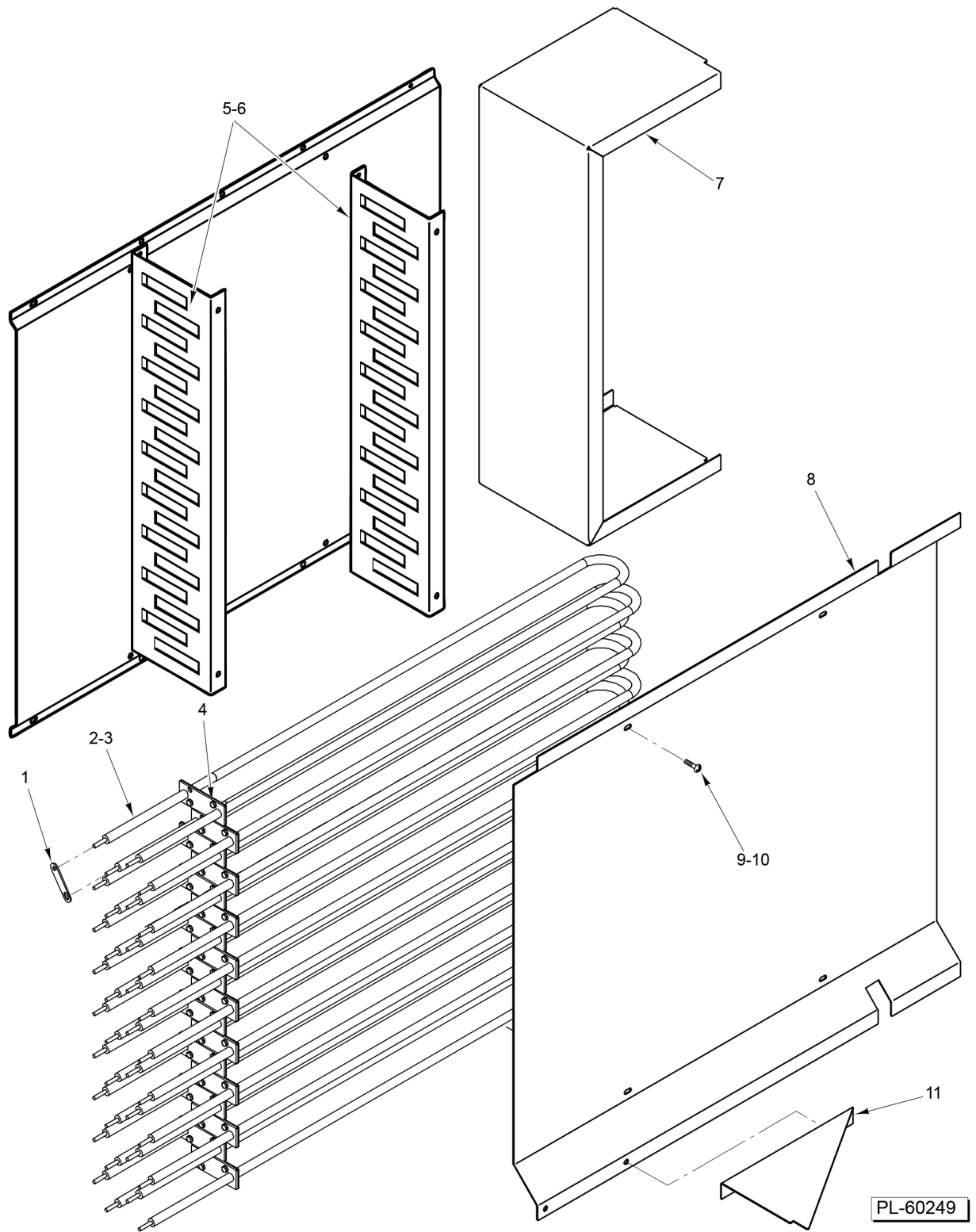
PL-60244

EXTERIOR WATER SUPPLY

EXTERIOR WATER SUPPLY

ILLUS. PL-60244	PART NO.	NAME OF PART	AMT.
1	01-100V17-00538	Elbow 1/2 Street (SST).....	1
2	01-1000V5-00362	Block - Terminal (2 Terminals) (W/ Operating Levers).....	2
3	01-1000V4-00426	Screw #10-16 x 3/4 Hex Hd. (Drill Tip) (SST).....	2
4	01-1M7495-00101	Bracket - Support.....	1
5	01-100V11-00248	Strain Relief.....	1
6	01-100V11-00249	Nut - Strain Relief.....	1
7	01-100V17-00736	Pipe 3-1/2 x 1/2 In.....	1
8	01-100V17-00347	Elbow 1/2 In. x 90 Deg.....	1
9	01-1M7495-00001	Kit - Steam Solenoid (Incls. Items 1 thru 8, & 15).....	AR
10	01-100V17-00830	Adapter - Hose to Pipe 3/4 GHTF x 1/2 NPTF.....	1
*11	01-100V17-00838	Filter - Solenoid Valve (5 GPM Without Restrictor).....	1
12	01-100V17-00840	Restrictor - Flow (White 3 GPM) (Double Rack Oven).....	1
13	01-100V17-00839	Restrictor - Flow (Brown 2 GPM) (Single Rack Oven).....	1
14	01-1M7493-00001	Solenoid Assy.....	1
15	01-1M7494-00001	Kit - Water Solenoid (Incls. Items 10 thru 14).....	AR

* No Restrictor used on Panera Bread Double Rack Ovens.



HEATING ELEMENTS

HEATING ELEMENTS

ILLUS.	PART NO.	NAME OF PART	AMT.
PL-60249			
1	01-1M5578-00001	Jumper - Heater.....	AR
2	01-100V10-0228A	Element - Heating (208 V., 2850 W.) (18 For Double, 12 For Single).....	AR
3	01-100V10-0228B	Element - Heating (240 V., 2850 W.) (18 For Double, 12 For Single).....	AR
4		Screw 10-32 (With Lockwasher).....	38
5	01-1M5411-00001	Channel - Element Support (ML-132522).....	2
6	01-1M5411-00002	Channel - Element Support (ML-132524).....	2
7	01-1M5410-00001	Baffle - Rear Filler (ML-132524).....	1
8	01-1M5407-00002	Baffle - Side (RH).....	1
9	01-1000V4-00121	Insert - Threaded 10-32 Hex.....	8
10		Mach. Screw 10-32 x 1/2 Phil. Truss Hd.....	8
11	01-1M5406-00001	Baffle - Corner Filler (ML-132524).....	1

