

HOBART701 S Ridge Avenue, Troy, OH 45374
1-888-4HOBART • www.hobartcorp.com**HEC5X SERIES DEEP ELECTRIC CONVECTION OVENS****HOBART****HEC5X SERIES DEEP ELECTRIC CONVECTION OVENS****STANDARD FEATURES**

- Stainless steel front, sides and top
- Painted legs
- Stainless steel doors with double pane windows
- 12.5 KW input per deck
- ½ H.P. two speed oven blower motors
- Solid state temperature controls adjust from 150° to 500°F
- 60 minute timer with audible alarm
- Oven cool switch for rapid cool down
- Porcelain enamel on steel oven interior
- Five nickel plated oven racks with eleven rack positions per deck
- 208 or 240 volt, 60 Hz, 1 or 3 phase
- One year limited parts and labor warranty

STANDARD FEATURES (D models only)

- Computer controls with digital time and temperature readouts. 99-hour timer with audible alarm. Roast and Hold cycle. One hundred programmable menu selections. Shelf I.D. programming.
- 24 hr. timer with audible alarm

OPTIONS

- Independently opening doors
- Stainless steel doors without windows
- Second year extended limited parts and labor warranty
- Casters
- 480 volt, 60 Hz, 3 phase

MODELS

- HEC501X** – Single Deck Electric Convection Oven
- HEC501DX** – Single Deck Computer Control Electric Convection Oven
- HEC502X** – Double Deck Electric Convection Oven*
- HEC502DX** – Double Deck Computer Control Electric Convection Oven*

* Double deck ovens are supplied as separate units with a stacking kit.

ACCESSORIES

- Stainless steel open stand with adjustable rack supports, stainless steel shelf and choice of adjustable feet or casters
- Stainless steel rear motor enclosure
- Extra oven rack(s)
- Stainless steel drip pan
- Down draft flue diverter for direct vent connection

Specifications, Details and Dimensions on Inside and Back.



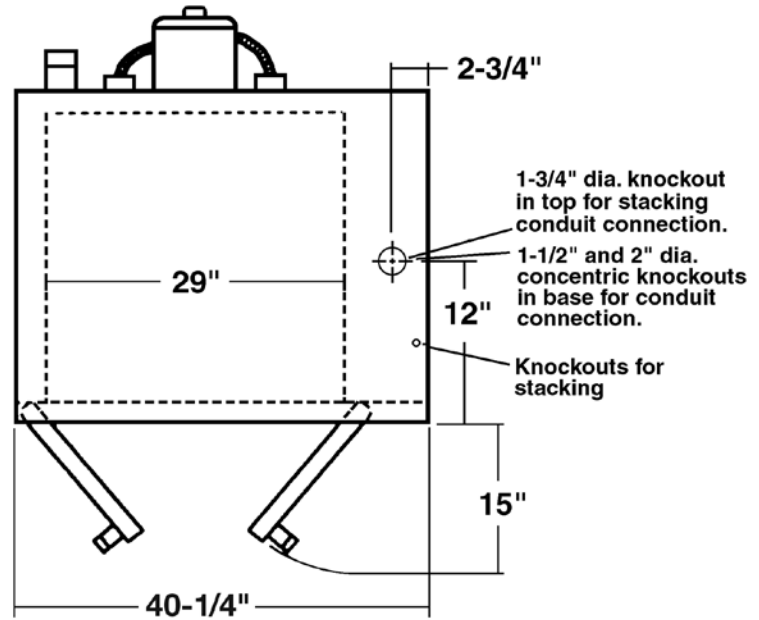
HEC5X SERIES DEEP ELECTRIC CONVECTION OVENS



701 S Ridge Avenue, Troy, OH 45374
1-888-4HOBART • www.hobartcorp.com

IMPORTANT

1. An adequate ventilation system is required for commercial cooking equipment. Information may be obtained by writing to the National Fire Protection Association, Batterymarch Park, Quincy, MA 02289. When writing, refer to NFPA No. 96.
2. This appliance is manufactured for commercial installation only and is not intended for home use.



MODEL NO.	WIDTH	DEPTH (INCLUDES HANDLES)	HEIGHT	KW PER OVEN	TOTAL KW	ELECTRICAL	WEIGHT			
							WITH SKID AND PACKAGING		WITHOUT SKID AND PACKAGING	
							LBS.	KG	LBS.	KG
HEC501X HEC501DX	40 1/4"	45 1/8"	54 3/4"	12.5	12.5	208 or 240/60/1 or 3	466	211	407	185
HEC502X HEC502DX	40 1/4"	45 1/8"	70"	12.5	25	208 or 240/60/1 or 3	932	422	814	370

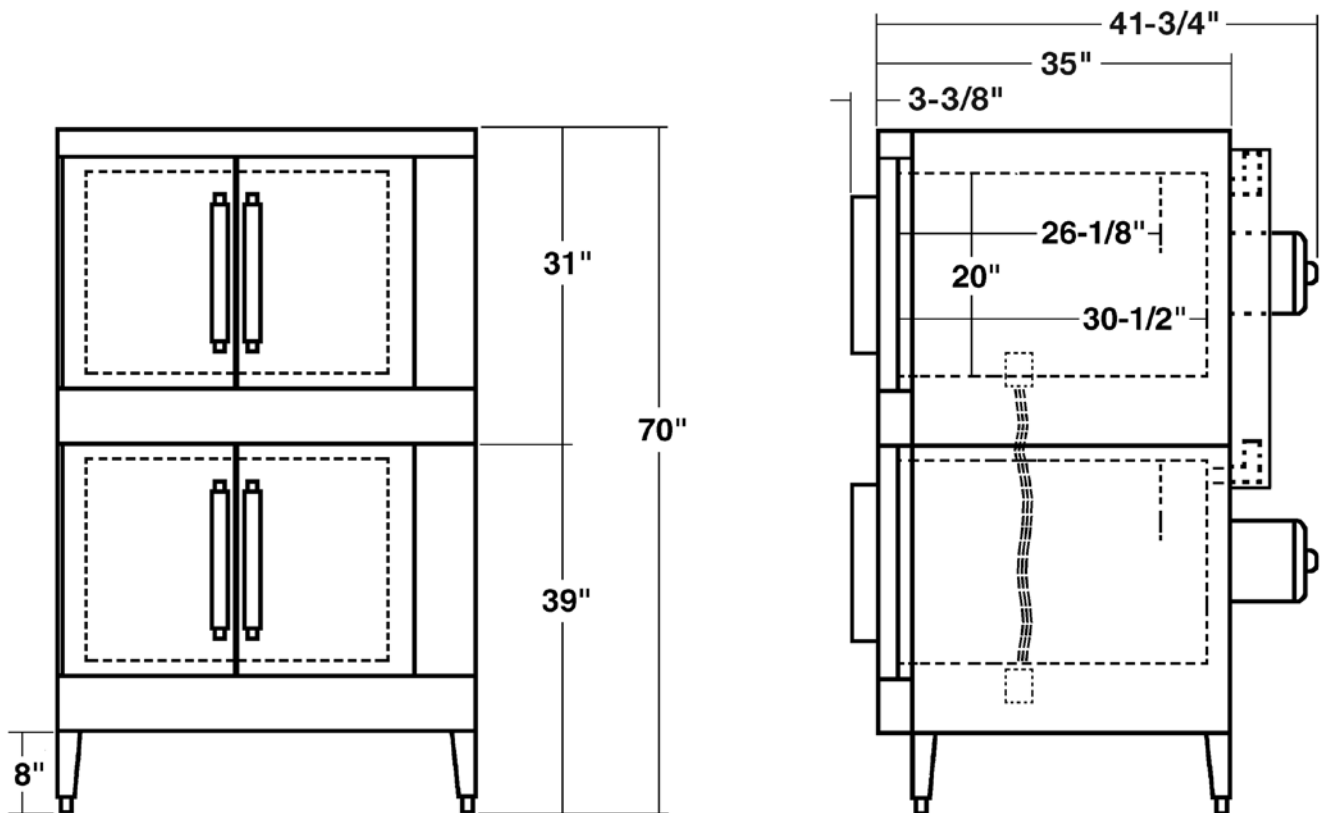
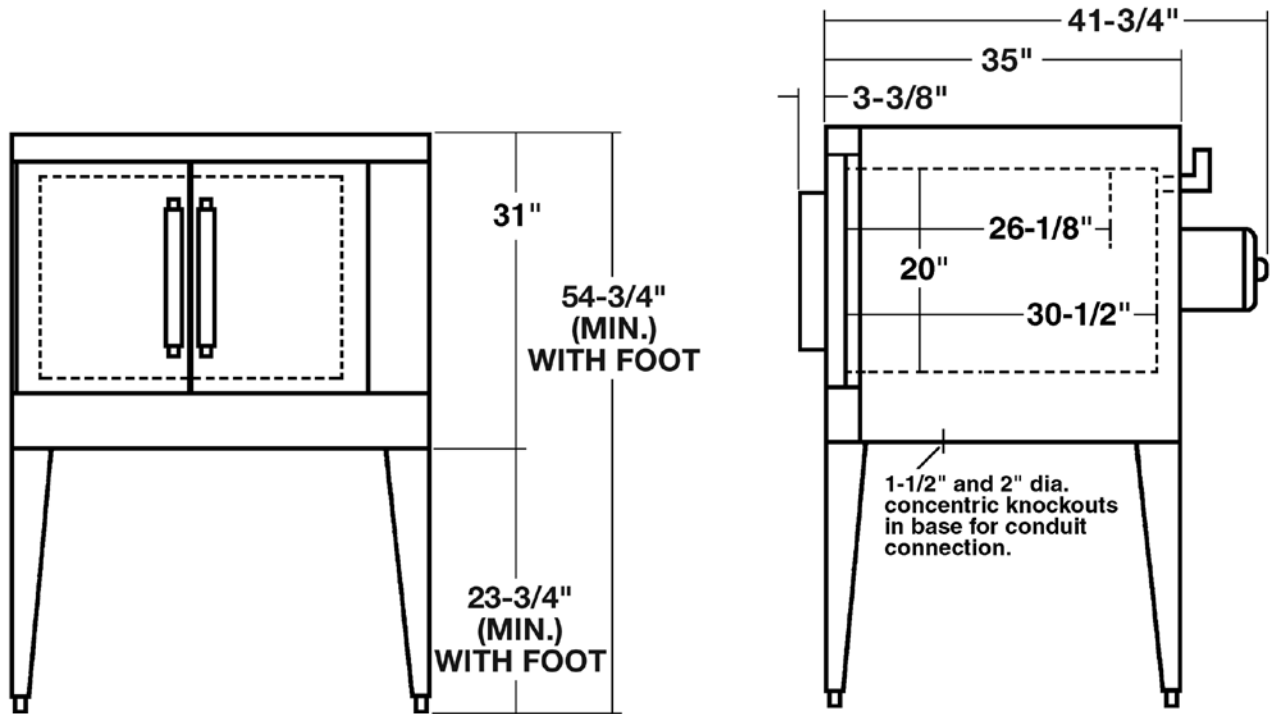
MODEL NO.	TOTAL CONN. KW	3 PHASE LOAD KW PER PHASE		NOMINAL AMPS PER LINE WIRE											
				3 PHASE									1 PHASE		
				208 VOLT			240 VOLT			480 VOLT			208V		240V
				X	Y	Z	X	Y	Z	X	Y	Z	208V	240V	
HEC501X HEC501DX	12.5	4	4	4.5	35	33	35	33	29	33	14.4	15.3	15.3	60	52
HEC502X HEC502DX	25	8	8	9	70	66	70	66	58	66	28.8	30.6	30.6	120	104



701 S Ridge Avenue, Troy, OH 45374
1-888-4HOBART • www.hobartcorp.com

HEC5X SERIES DEEP ELECTRIC CONVECTION OVENS

DETAILS AND DIMENSIONS



HEC5X SERIES DEEP ELECTRIC CONVECTION OVENS



701 S Ridge Avenue, Troy, OH 45374
1-888-4HOBART • www.hobartcorp.com

SPECIFICATIONS

General: Electric convection oven. Basic deck (**HEC5X/HEC5DX**) is without legs; may be ordered separately for replacement, for stacking 2-high or for mounting on legs. **HEC501X/HEC501DX** single basic deck on 23³/₄" legs with feet. 23³/₄" legs can adjust an additional 1" in length. Legs with casters are adjustable from 28" to 29¹/₈" in length. **HEC502X/HEC502DX** two basic HEC5X/HEC5DX decks on 8" legs.

Construction: Stainless steel front, sides, top and back, painted legs. Porcelain enamel on steel oven interior. Simultaneously operated stainless steel doors with windows. Two interior oven lights per deck. Non-sag insulation applied to the top, rear and sides, bottom and doors.

Oven interior measures 29"w x 26¹/₈"d x 20"h. Five nickel plated oven racks per deck measure 28¹/₄" x 24¹/₂". Eleven position nickel plated rack guides with positive rack stops per deck.

Controls: Temperature controls adjust from 150° to 500°F. 60-minute timer with audible alarm. Oven cool switch for rapid cool down.

D Models only: Computer controls with digital time and temperature readouts. 99-hour timer with audible alarm. Roast and Hold cycle. One hundred program-mable menu selections. Shelf I.D. programming.

Electrical: One ½ H.P. two-speed oven blower-motor per deck. Rated power input is 12.5 KW per deck. 208 or 240 volts, 60 Hz, 1 or 3 phase.

Clearances:	Combustible	Non-Combustible
Rear	2"	2"
Right Side	4"	4"
Left Side	1"	1"

IMPORTANT

WHEN ORDERING: The following must be specified:

- 1) Required voltage

As continued product improvement is a policy of Hobart, specifications are subject to change without notice.