



CATALOG OF REPLACEMENT PARTS



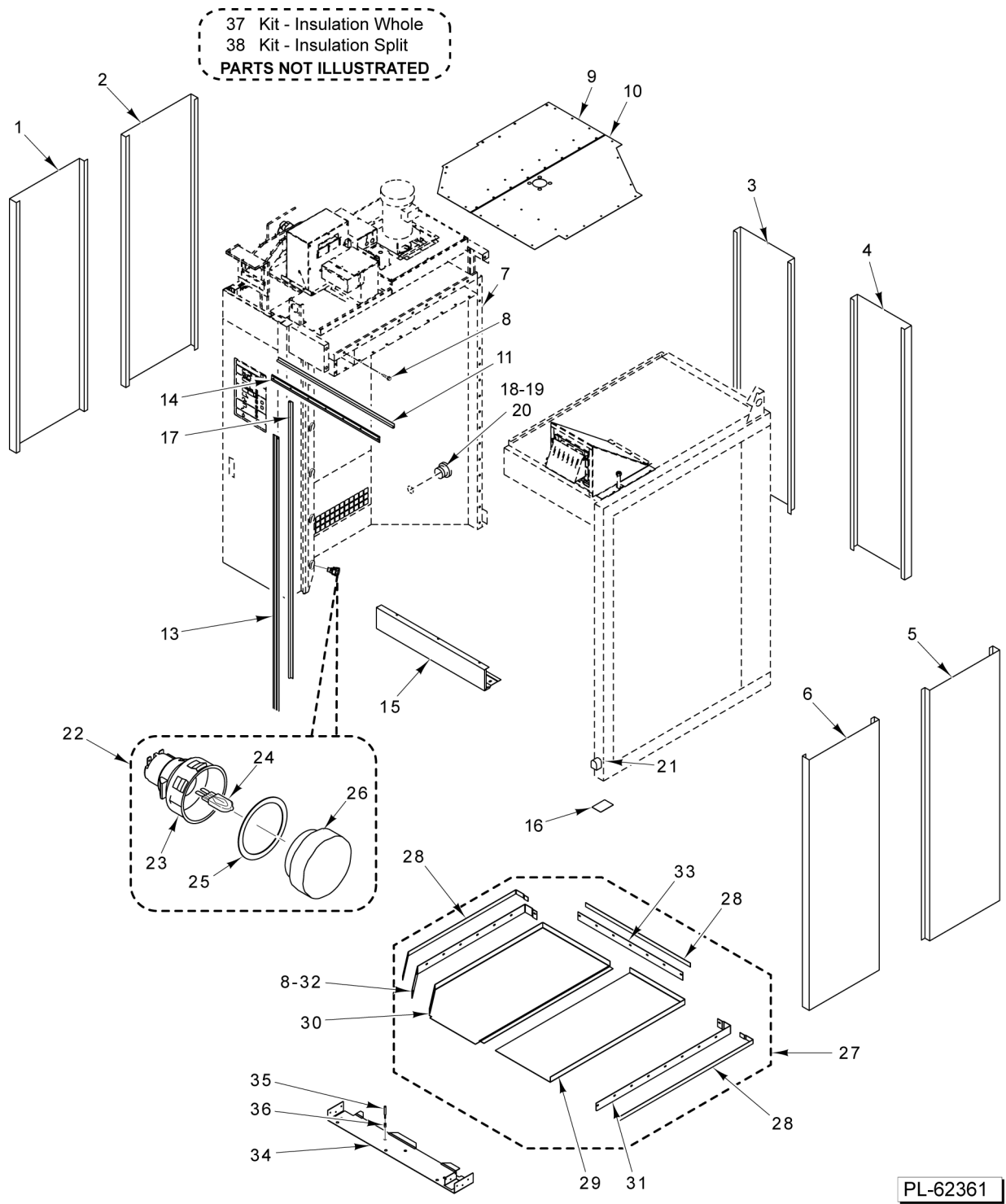
CS500E1 ELECTRIC RACK OVEN

ML-132595

CS500E1

Table of Contents

| | |
|----|---------------------------------------|
| 5 | CABINET |
| 7 | BLOWER, PANELS, AND VENTS |
| 9 | CEILING AND SHUTTERS |
| 11 | STEAMER ASSEMBLY |
| 13 | EXTERIOR WATER SUPPLY |
| 15 | CONTROL CABINET, DOOR, AND CONTROLLER |
| 17 | HEATING ELEMENTS |
| 19 | COMPONENT BOX |
| 21 | LOADING DOOR |
| 23 | LIFTER |
| 25 | ROTATOR |
| 27 | CARRIER |
| 29 | HOOD - TYPE II |

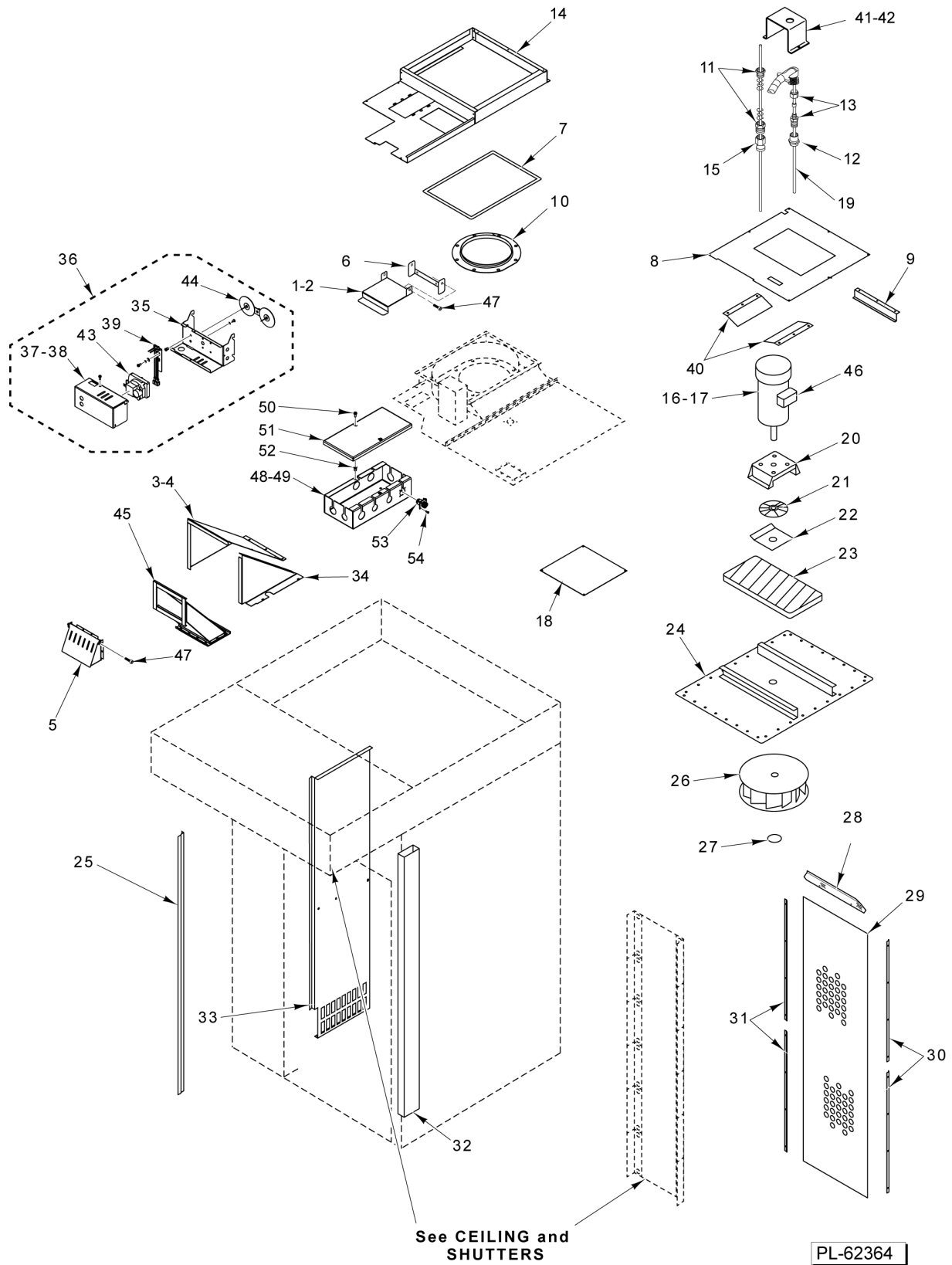


CABINET

CABINET

| ILLUS. | PART NO. | NAME OF PART | AMT. |
|----------|-----------------|--|------|
| PL-62361 | | | |
| 1 | 01-1M5672-00002 | Skin - Outer..... | 1 |
| 2 | 01-1M5672-00001 | Skin - Outer..... | 1 |
| 3 | 01-1M5672-00002 | Skin - Outer..... | 1 |
| 4 | 01-1M5672-00001 | Skin - Outer..... | 1 |
| 5 | 01-1M5672-00002 | Skin - Outer..... | 1 |
| 6 | 01-1M5672-00001 | Skin - Outer..... | 1 |
| *7 | 01-100V21-0065A | Tape - Fiberglass (1/8 x 1) (With Adhesive)..... | AR |
| 8 | 01-1000V4-00283 | Mach. Screw 1/4-20 x 3/4 Hex Washer Hd. (SST)..... | AR |
| 9 | 01-1M5460-00001 | Panel - False Ceiling (LH)..... | 1 |
| 10 | 01-1M5460-00002 | Panel - False Ceiling (RH)..... | 1 |
| 11 | 01-100V16-0789C | Gasket - Loading Door (Horizontal)..... | 1 |
| 13 | 01-1M7090-00202 | Retainer - Gasket (Vertical)..... | 2 |
| 14 | 01-1M7090-00101 | Retainer - Gasket (Horizontal)..... | 1 |
| 15 | 01-1M7031-00001 | Header - Top Door Loading..... | 1 |
| 16 | 01-1M5610-00201 | Shim..... | 1 |
| 17 | 01-100V16-0789E | Gasket - Loading Door (Vertical)..... | 2 |
| 18 | 01-100V17-00865 | Pipe 1/2 NPT x 3-1/2 In. (SST)..... | 1 |
| 19 | 01-100V17-00767 | Pipe 1/2 NPT X 10 (SST)..... | 1 |
| 20 | 01-100V17-00860 | Tee 1/2 NPT (SST)..... | 1 |
| 21 | 01-1M2335-00001 | Wheel (For Installation)..... | 1 |
| 22 | 01-1M7311-00001 | Kit - Light Replacement (Incls. Items 23 thru 26)..... | AR |
| 23 | 01-1000V7-00057 | Base - Halogen Oven Lamp..... | AR |
| 24 | 01-1000V7-00054 | Bulb - Halogen G9 Base..... | AR |
| 25 | 01-1000V7-00059 | Ring - Pressure..... | AR |
| 26 | 01-1000V7-00058 | Lens - Oven Lamp..... | AR |
| 27 | 01-1M7104-00003 | Kit - Floor (Incls. Items 28 thru 33)..... | 1 |
| 28 | 01-100V21-0065A | Tape - Fiberglass (1/8 x 1)..... | AR |
| 29 | 01-1M7101-00101 | Floor - Skin (RH)..... | 1 |
| 30 | 01-1M7102-00101 | Floor - Skin (LH)..... | 1 |
| 31 | 01-1M7105-00101 | Trim - Floor (Right)..... | 1 |
| 32 | 01-1M7105-00103 | Trim - Floor (Left)..... | 1 |
| 33 | 01-1M7105-00102 | Trim - Floor (Rear)..... | 1 |
| 34 | 01-1M7047-00101 | Plate - Threshold..... | 1 |
| 35 | 01-1000V4-0073A | Tool - Setting..... | 1 |
| 36 | 01-1000V4-00073 | Anchor - Drop-In 1/4-20..... | 1 |
| 37 | 01-1M7691-00001 | Kit - Insulation (Complete Oven Kit) (Incls. Item 38)..... | 1 |
| 38 | 01-1M7689-00001 | Kit - Insulation (Center Seam & Header)..... | 1 |

* (Sold Per Inch)

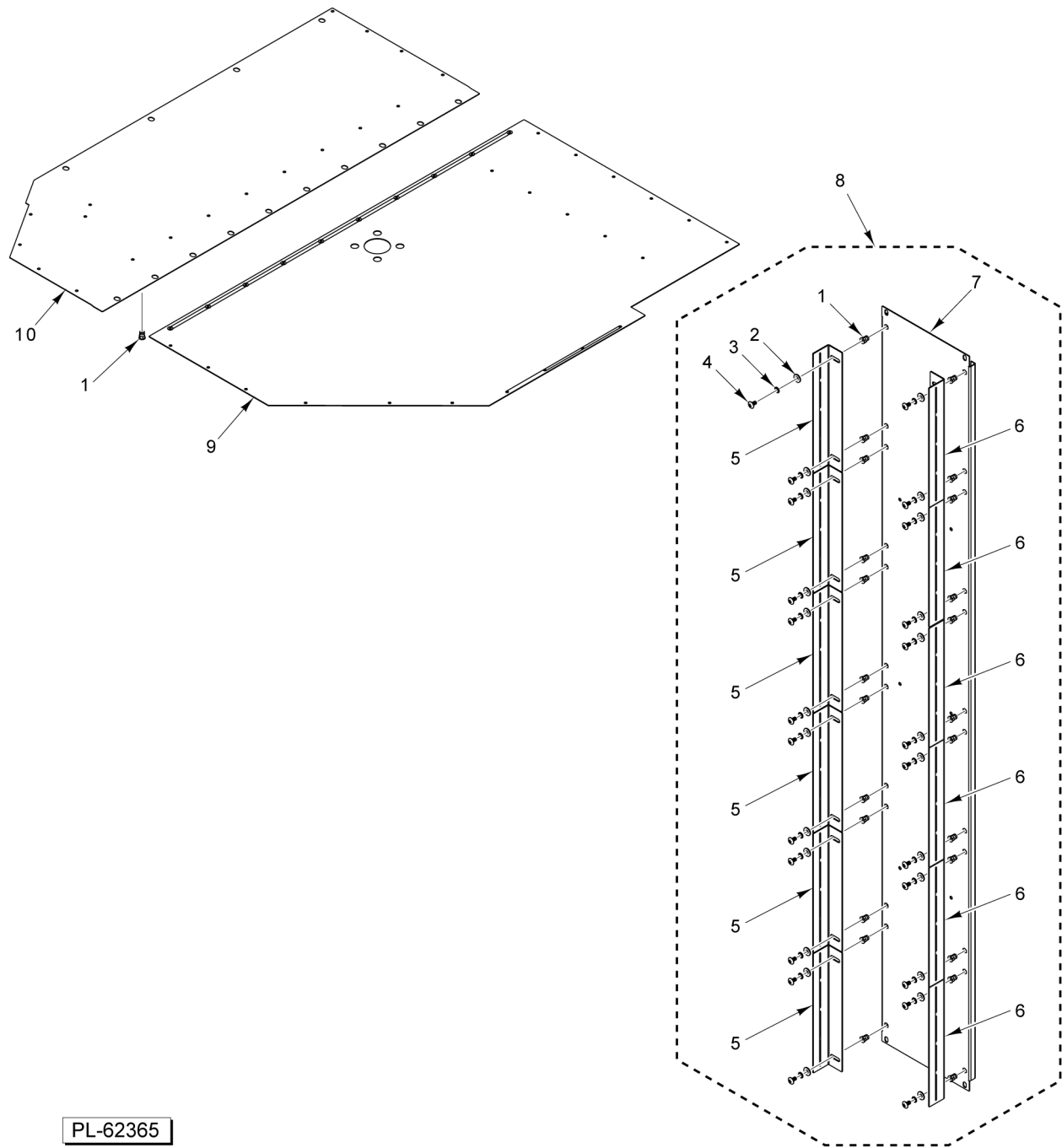


BLOWER, PANELS, AND VENTS

BLOWER, PANELS, AND VENTS

| ILLUS. | PART NO. | NAME OF PART | AMT. |
|----------|-----------------|--|------|
| PL-62364 | | | |
| 1 | 01-1M6549-00001 | Vent - Intake Lid..... | 1 |
| 2 | 01-100V16-00682 | Gasket - Vent Duct..... | AR |
| 3 | 01-1M6814-00001 | Duct Assy. (Incls. Items 4 & 34)..... | 1 |
| 4 | 01-1M6814-00102 | Cover - Duct (Top)..... | 1 |
| 5 | 01-1M5624-00001 | Over Pressure Vent Assy..... | 1 |
| 6 | 01-1M6550-00101 | Bracket - Vent Lid..... | 1 |
| *7 | 01-100V21-0065A | Tape - Fiberglass (1/8 x 1)..... | AR |
| 8 | 01-1M5542-00001 | Cover - Blower Insulation..... | 1 |
| 9 | 01-1M2227-00001 | Liner - Blower Insulation Cover..... | 2 |
| 10 | 01-1M2451-00001 | Bell - Inlet..... | 1 |
| 11 | 01-100V17-00304 | Kit - Stuffing Box..... | 1 |
| 12 | 01-100V17-00257 | Coupling 1/4 NPT (Brass)..... | 1 |
| 13 | 01-100V17-00279 | Fitting 1/4 x 3/16..... | 1 |
| 14 | 01-1M7059-00001 | Body - Insulation Blower Cover (LH)..... | 1 |
| 15 | 01-100V17-00281 | Coupler - Reducer 3/8 to 1/4..... | 1 |
| 16 | 01-1M2060-00002 | Blower Assy. (3 Ph.) (Incls. Items 17, 20 thru 24, 26, & 27)..... | 1 |
| 17 | 01-1000V8-00052 | Motor - Blower (3 Ph., 1-1/2 Hp.)..... | 1 |
| 18 | 01-1M2466-00001 | Cover - Outer Exhaust Hole..... | 1 |
| 19 | 01-1A1828-00001 | Kit - Thermocouple..... | 1 |
| 20 | 01-1M1360-00001 | Mount - Blower Motor..... | 1 |
| 21 | 01-1M2458-00001 | Heat Slinger Assy..... | 1 |
| 22 | 01-1M1794-00001 | Cover - Blower Insulation..... | 1 |
| 23 | 01-1M1795-00001 | Insulation - Blower..... | 1 |
| 24 | 01-1M2059-00001 | Mount - Blower Weldment..... | 1 |
| 25 | 01-1M5476-00001 | Bracket - Mounting (Suction Panel)..... | 1 |
| 26 | 01-1000V8-00041 | Wheel - Blower (15 In. Dia.)..... | 1 |
| 27 | 01-1000V1-00028 | Ring - Snap..... | 1 |
| 28 | 01-1M2101-00004 | Z-Bar (Pressure Panel)..... | 1 |
| 29 | 01-1M2572-00001 | Screen - Pressure Panel..... | 1 |
| 30 | 01-1M2479-00002 | Retainer - Pressure Screen (RH)..... | 2 |
| 31 | 01-1M2479-00003 | Retainer - Pressure Screen (LH)..... | 2 |
| 32 | 01-1M2089-00001 | Duct - Bottom Vent..... | 1 |
| 33 | 01-1M5473-00001 | Panel - Suction..... | 1 |
| 34 | 01-1M6814-00101 | Cover - Duct (Side)..... | 1 |
| 35 | 01-1M6551-00101 | Bracket - Mounting (Vent)..... | 1 |
| 36 | 01-1M6551-00001 | Vent - Motor Actuator - Assy. (Incls. Items 35, 37, 38, 39, 43, & 44)..... | 1 |
| 37 | 01-1M6551-00102 | Bracket - Vent Cover..... | 1 |
| 38 | 01-1M7509-00001 | Kit, Vent Motor Replacement..... | 1 |
| 39 | 01-1M6552-00001 | Vent Switch Assy. (Vertical Screw Pattern)..... | 1 |
| 40 | 01-1M1895-00001 | Cover - Blower Insulation..... | 2 |
| 41 | 01-1M1433-00001 | Protector - Thermocouple..... | 1 |
| 42 | 01-1M5515-00001 | Thermocouple Assy. - Conduit & Thermocouple..... | 1 |
| 43 | 01-1000V8-00179 | Motor - Vent Gear (4 RPM, 1/250 HP)..... | 1 |
| 44 | 01-1M6553-00001 | Cam - Vent Switch..... | 1 |
| 45 | 01-1M7066-00002 | Duct - Vent..... | 1 |
| 46 | 01-1M5607-00001 | Harness - Conduit Blower..... | 1 |
| 47 | 01-1000V4-00572 | Shoulder Screw, #10-32 X 3/8 Thread Length, .25 DIA X 3/8 Shoulder Length..... | 2 |
| 48 | 01-1M5525-00001 | Box - Junction (Incls. Items 49 thru 54)..... | 1 |
| 49 | 01-1M5525-00100 | Box - Junction..... | 1 |
| 50 | 01-1000V4-00474 | Screw 10-32 x 1/2 Hex Washer Hd. (Zinc)..... | 2 |
| 51 | 01-1M5525-00106 | Cover - Junction Box..... | 1 |
| 52 | 01-1000V4-00121 | Insert - Threaded 10-32 Hex..... | 2 |
| 53 | 01-1M7496-00001 | Receptacle (Water Connection)..... | 1 |
| 54 | 01-1000V4-00620 | Mach. Screw 4-40 x 3/8..... | 4 |

* (Sold Per Inch)



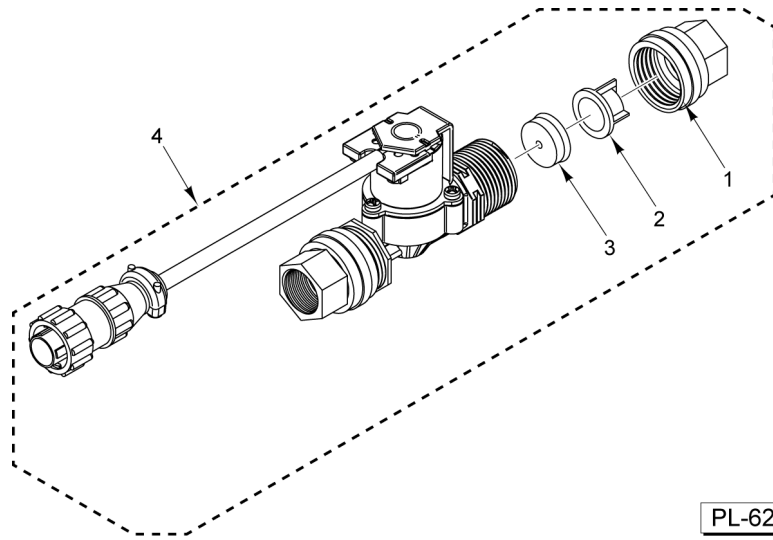
CEILING AND SHUTTERS

CEILING AND SHUTTERS

| ILLUS. | PART NO. | NAME OF PART | AMT. |
|----------|-----------------|---|------|
| PL-62365 | | | |
| 1 | 01-1000V4-00122 | Insert - Threaded 1/4-20..... | AR |
| 2 | 01-1000V4-00433 | Washer 1/4 In. (SST)..... | AR |
| 3 | 01-1000V4-00470 | Lockwasher 1/4 In. (SST)..... | AR |
| 4 | 01-1000V4-00503 | Mach. Screw 1/4-20 x 1/2 In. (SST)..... | AR |
| 5 | 01-1M5459-00001 | Shutter - Pressure Panel 90 Deg..... | 6 |
| 6 | 01-1M5459-00002 | Shutter - Pressure Panel 97 Deg..... | 6 |
| 7 | 01-1M5523-00001 | Body - Pressure Panel Shutter Support..... | 1 |
| 8 | 01-1M5458-00001 | Panel - Pressure Shutter Assy. (Incls. Items 1 thru 7)..... | 1 |
| 9 | 01-1M5460-00002 | Panel - False Ceiling (RH)..... | 1 |
| 10 | 01-1M5460-00001 | Panel - False Ceiling (LH)..... | 1 |

STEAMER ASSEMBLY

| ILLUS. | PART NO. | NAME OF PART | AMT. |
|----------|-----------------|--------------------------------------|------|
| PL-62369 | | | |
| 1 | 01-100V17-00347 | Elbow 1/2 In. x 90 Deg. (SST)..... | 1 |
| 2 | 01-1M7100-00001 | Sprayer - Steam Manifold..... | 1 |
| 3 | 01-1M7065-00001 | Angle, Steamer Box..... | 1 |
| 4 | 01-100V16-00529 | Casting - Steamer..... | 15 |
| 5 | 01-1M5536-00001 | Support - Steamer Castings..... | 2 |
| 6 | 01-1M2161-00001 | Screw - Leveler..... | 1 |
| 7 | 01-1M5474-00001 | Panel - Steamer..... | 1 |
| 8 | 01-1M5446-00002 | Plate - Steam Loader Bolt Cover..... | 1 |
| 9 | 01-1M5065-00001 | Bracket - Water Guide..... | 7 |
| 10 | 01-1M5471-00001 | Panel - Steamer (Rear)..... | 1 |
| 11 | 01-100V17-00183 | Coupler 1/2 In. (SST)..... | 1 |
| 12 | 01-100V17-00535 | Pipe 1/2 x 14 In. (SST)..... | 1 |
| 13 | 01-100V17-00767 | Pipe 1/2 NPT X 10 (SST)..... | 1 |
| 14 | 01-100V17-00860 | Tee 1/2 NPT (SST)..... | 1 |
| 15 | 01-100V17-00766 | Plug - 1/2 NPT..... | 1 |
| 16 | 01-100V17-00865 | Pipe 1/2 NPT x 3-1/2 In. (SST)..... | 1 |
| 17 | 01-1M7619-00001 | Pan - Drain..... | 1 |
| 18 | 01-1M7100-00004 | Manifold Assy. - Steamer..... | 1 |
| 19 | 01-100V17-00534 | Pipe 1/2 x 3-1/2 (SST)..... | 1 |
| 20 | 01-1M6325-00001 | Sheet - Splash..... | 1 |
| 21 | 01-1M7672-00001 | Kit - Front Drain..... | 1 |

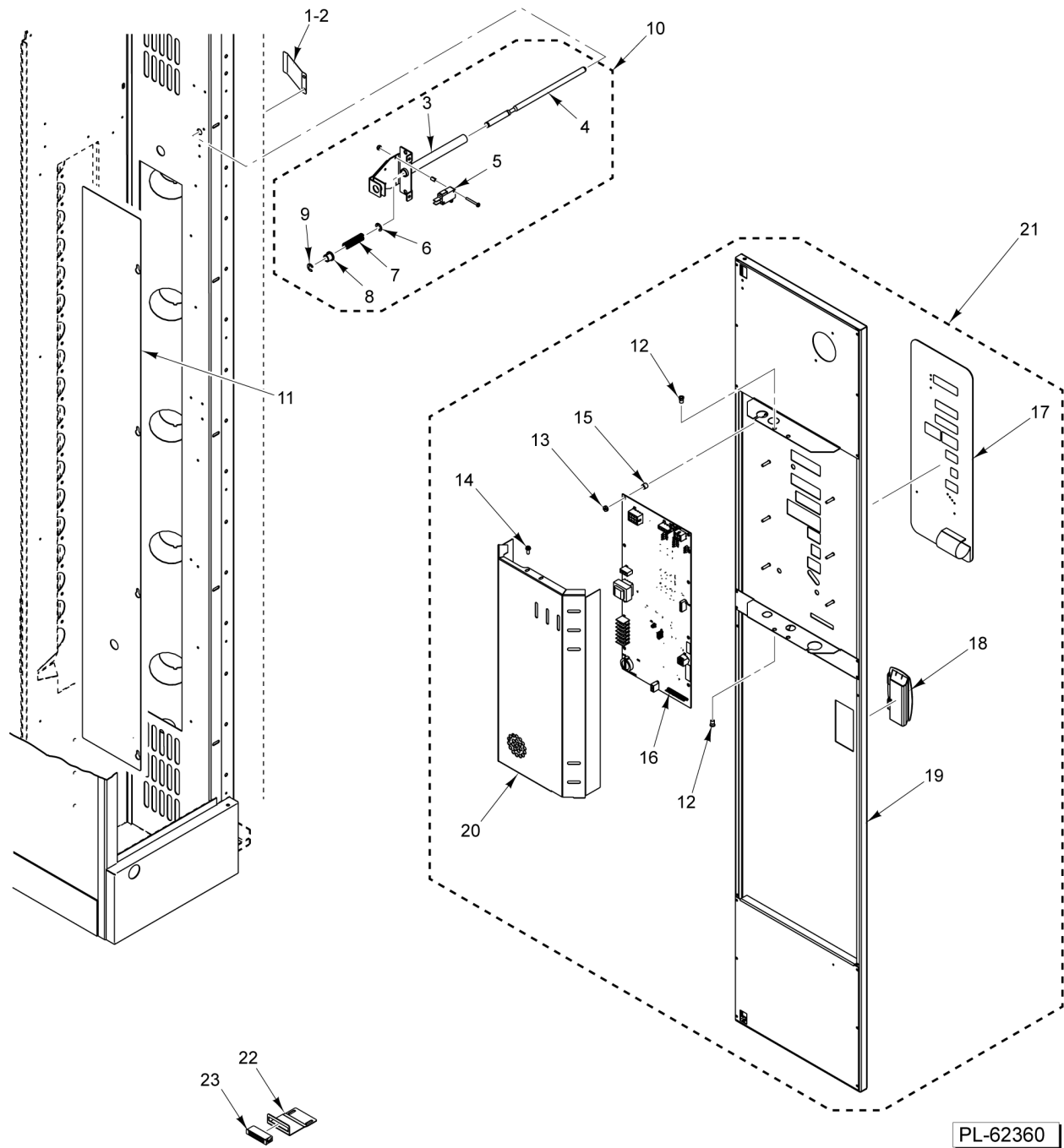


PL-62370

EXTERIOR WATER SUPPLY

EXTERIOR WATER SUPPLY

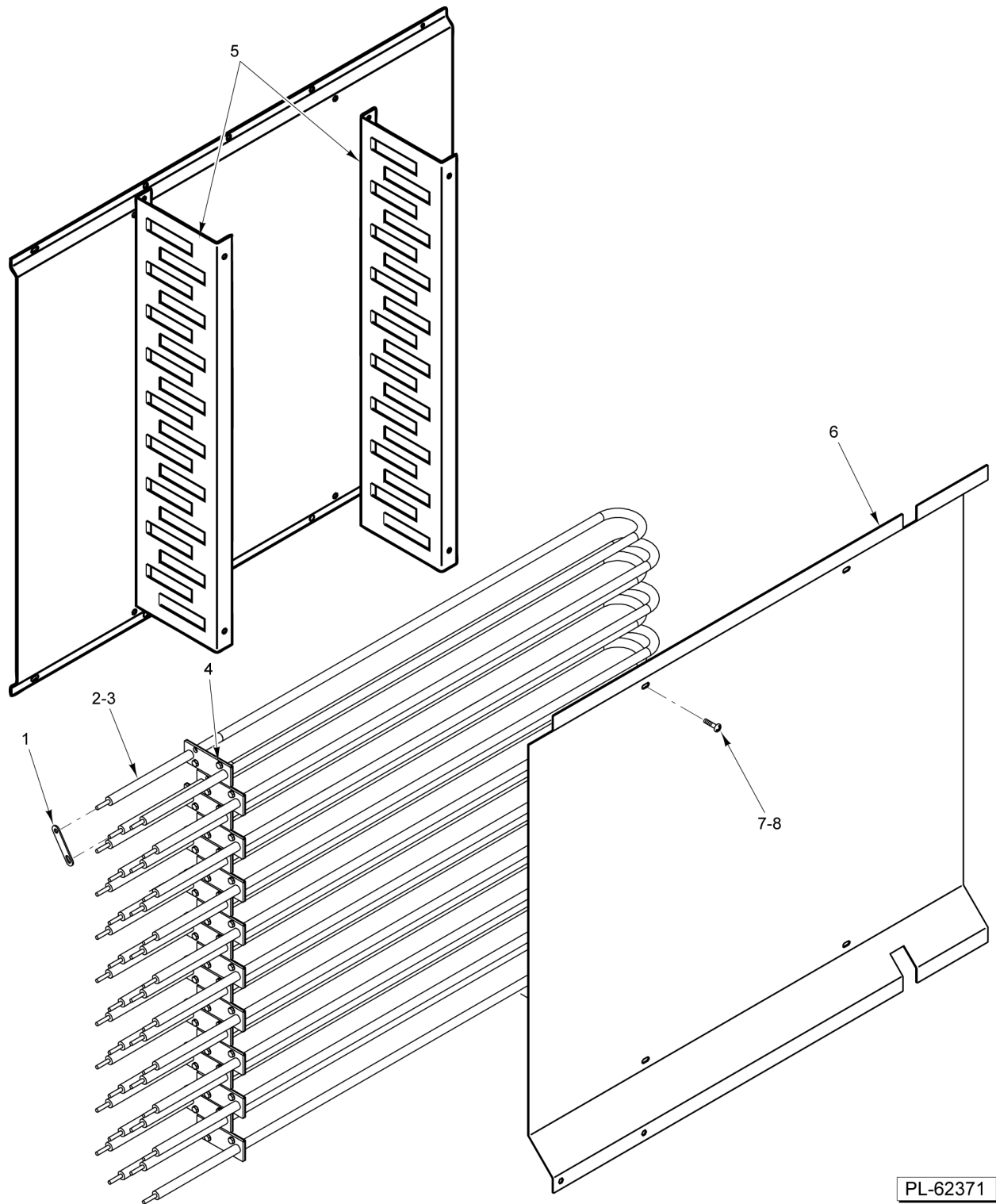
| ILLUS. PL-62370 | PART NO. | NAME OF PART | AMT. |
|--------------------|-----------------|---|------|
| 1 | 01-100V17-00830 | Adapter - Hose to Pipe 3/4 GHTF x 1/2 NPTF..... | 1 |
| 2 | 01-100V17-00838 | Filter - Solenoid Valve (R Series Inlet)..... | 1 |
| 3 | 01-100V17-00839 | Restrictor - Flow (Brown 2 GPM)..... | 1 |
| 4 | 01-1M7494-00001 | Kit - Water Solenoid (Incls. Items 1 thru 3)..... | AR |



CONTROL CABINET, DOOR, AND CONTROLLER

CONTROL CABINET, DOOR, AND CONTROLLER

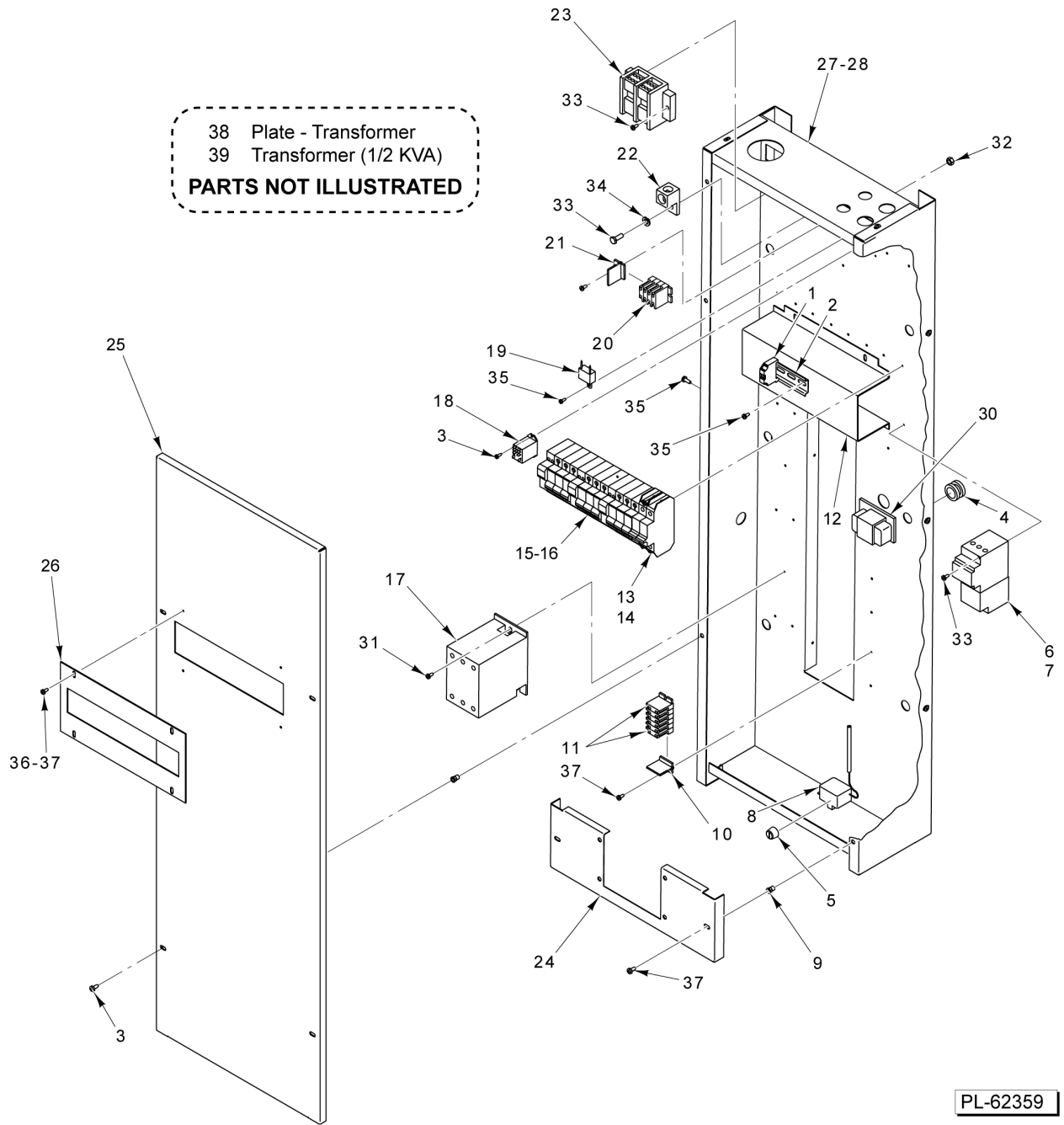
| ILLUS. | PART NO. | NAME OF PART | AMT. |
|----------|-----------------|--|------|
| PL-62360 | | | |
| 1 | 01-1000V4-00284 | Screw 10-32 x 3/4 Hex Washer Hd., Serrated Flange (SST)..... | 1 |
| 2 | 01-1M6928-00001 | Plate, Actuator (Door Switch)..... | 1 |
| 3 | 01-1M6478-00001 | Door Switch Assy. (Spring Loaded)..... | 1 |
| 4 | 01-1M6478-00101 | Rod - Actuator..... | 1 |
| 5 | 01-1000V6-00343 | Switch - Lever SPST..... | 2 |
| 6 | 01-1000V1-00078 | Clip - E-Door..... | 1 |
| 7 | 01-100V20-00027 | Spring - Compression..... | 1 |
| 8 | 01-1M6478-00103 | Bearing (Bronze)..... | 1 |
| 9 | 01-1000V1-00078 | Clip - E-Door..... | 1 |
| 10 | 01-1M6478-00001 | Door Switch Assy. (Spring Loaded)..... | 1 |
| 11 | 01-1M5150-00001 | Cover - Light Access..... | 1 |
| 12 | 01-1000V4-00121 | Insert - Threaded 10-32 Hex..... | 4 |
| 13 | 01-1000V4-00336 | Nut #10-32 W/ Lockwasher (SST)..... | 8 |
| 14 | 01-1000V4-00474 | Screw 10-32 x 1/2 Hex Washer Hd. (Zinc)..... | 4 |
| 15 | 01-1000V5-00164 | Spacer 3/8 x 5/16 Lg. (Nylon)..... | 8 |
| 16 | 01-100V16-01036 | Board - Control (USB Compatible)..... | 1 |
| 17 | 01-100V16-01165 | Label - Control (Black)..... | 1 |
| 18 | 01-100V18-00221 | Handle - Pocket (Plastic)..... | 1 |
| 19 | 01-1M7613-00001 | Door - Contol (W/Studs) (No Overlay)..... | 1 |
| 20 | 01-1M7063-00102 | Cover, Control - Display..... | 1 |
| 21 | 01-1M7612-00001 | Control Door Assy. (Incls. Items 12 thru 20)..... | 1 |
| 22 | 01-1M7617-00101 | Bracket - Magnet..... | 2 |
| 23 | 01-100V18-00220 | Magnet - Snap-In..... | 2 |



HEATING ELEMENTS

HEATING ELEMENTS

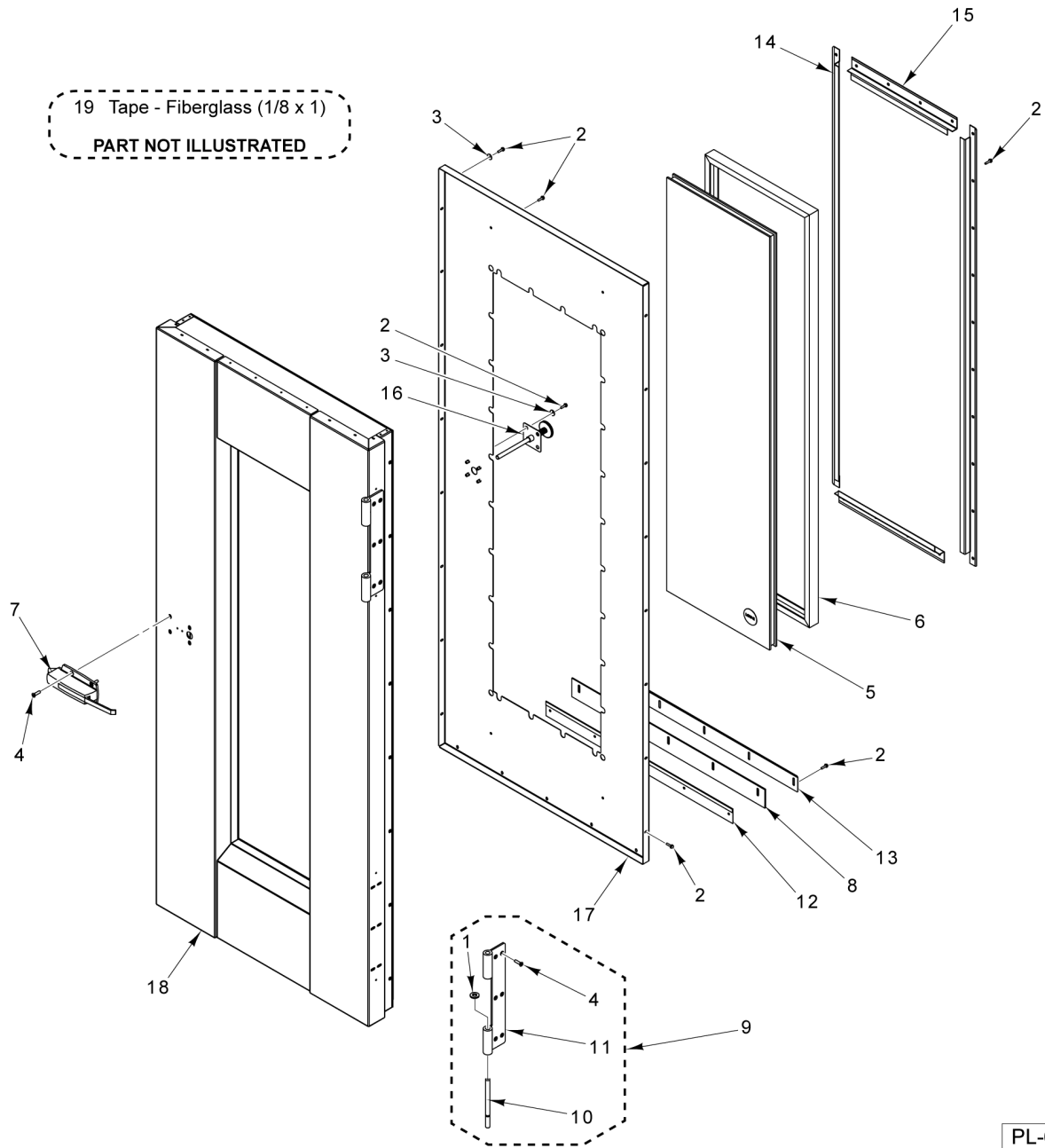
| ILLUS. | PART NO. | NAME OF PART | AMT. |
|---------------|-----------------|---|-------------|
| | PL-62371 | | |
| 1 | 01-1M5578-00001 | Jumper - Heater..... | AR |
| 2 | 01-100V10-0228A | Element - Heating (208 V., 2850 W.) (For Ovens W/ 208 V., 3 Ph.)..... | 12 |
| 3 | 01-100V10-0228B | Element - Heating (240 V., 2850 W.) (For Ovens W/ 240-480 V., 3 Ph.)..... | 12 |
| 4 | 01-1000V4-00426 | Screw #10-16 x 3/4 Hex Hd. (Drill Tip) (SST)..... | 24 |
| 5 | 01-1M5411-00001 | Channel - Element Support..... | 2 |
| 6 | 01-1M5407-00002 | Baffle - Side (RH)..... | 1 |
| 7 | 01-1000V4-00121 | Insert - Threaded 10-32 Hex..... | 8 |
| 8 | 01-1000V4-00400 | Cap Screw 10-32 x 3/4 Hex Hd. (SST)..... | 8 |



COMPONENT BOX

COMPONENT BOX

| ILLUS. PL-62359 | PART NO. | NAME OF PART | AMT. |
|--------------------|-----------------|---|------|
| 1 | 01-1000V6-00252 | End Stop - Din Rail..... | AR |
| 2 | 01-100V18-00115 | Din Rail 9080-M H..... | AR |
| 3 | 01-1000V4-00474 | Screw 10-32 x 1/2 Hex Washer Hd. (Zinc)..... | AR |
| 4 | 01-1000V5-00059 | Bushing - Snap 7/8 In. (Plastic)..... | 1 |
| 5 | 01-1000V6-00407 | Cap..... | 1 |
| 6 | 01-1M7548-00002 | Contactor - Overload Assy. (4-6 Amp.) (208-240 V.) (3 Ph.)..... | 1 |
| 7 | 01-1M7549-00002 | Contactor - Overload Assy. (1.6 - 2.5 Amp.) (380-415/440-480 V.) (3 Ph.)..... | 1 |
| 8 | 01-1M6165-00001 | Kit, High Limit (608 Deg. F/320 Deg. C) - Manual Reset..... | 1 |
| 9 | 01-1000V4-00121 | Insert - Threaded 10-32 Hex..... | AR |
| 10 | 01-1000V5-00106 | Strip End - Terminal..... | AR |
| 11 | 01-1000V5-00105 | Strip - Terminal..... | AR |
| 12 | 01-1M5418-00008 | Bracket - Circuit Breaker..... | 1 |
| 13 | 01-1000V6-00423 | Circuit Breaker (10A) (1 Ph.)..... | 2 |
| 14 | 01-1000V6-00424 | Circuit Breaker (13A) (1 Ph.)..... | 1 |
| 15 | 01-1M7547-00001 | Kit - Breaker Replacement (32/35 Amp.) (380-415/440-480 V.) (With 120 V. UV Breaker)..... | 2 |
| 16 | 01-1M7546-00001 | Kit - Breaker Replacement (63 Amp.) (208-240 V.) (With 120 V. UV Breaker)..... | 2 |
| 17 | 01-1000V6-00348 | Contactor (3-Pole) (50 Amp.)..... | 2 |
| 18 | 01-1000V6-00271 | Relay - D.P.D.T. (1/2 Hp., 120 VAC)..... | 1 |
| 19 | 01-100V10-00242 | Filter - EMI..... | 1 |
| 20 | 01-1000V5-00105 | Strip - Terminal..... | 6 |
| 21 | 01-1000V5-00106 | Strip End - Terminal..... | 1 |
| 22 | 01-1000V5-00037 | Lug - Terminal..... | 1 |
| 23 | 01-1000V5-00096 | Block - Power Distribution..... | 1 |
| 24 | 01-1M5418-00004 | Cover - Bottom Electric Box..... | 1 |
| 25 | 01-1M5418-00006 | Electric Box Cover Assy. (Incls. Item 26)..... | 1 |
| 26 | 01-1M5418-00007 | Cover - Circuit Breaker..... | 1 |
| 27 | 01-1M5828-0005F | Module - Electric (208-240 V./60/3) (Incls. items 1 thru 6, 8 thru 14, 16 thru 25, & 30)..... | 1 |
| 28 | 01-1M5828-0006F | Module - Electric (440-480 V./60/3) (1 thru 5, 7 thru 15, 17 thru 25, & 30)..... | 1 |
| 30 | 01-100V10-00278 | Transformer (5 VA) (120-24 V.)..... | 1 |
| 31 | 01-1000V4-00630 | Screw Pan Hd. Phil. #8-32 x 3/4 (Zinc)..... | AR |
| 32 | 01-1000V4-00330 | Nut, Hex 1/4-20 (Zinc)..... | AR |
| 33 | 01-1000V4-00417 | Mach. Screw Hex Hd. 1/4-20 x 3/4 In. (Zinc)..... | AR |
| 34 | 01-1000V4-00470 | Lockwasher 1/4 In. (SST)..... | AR |
| 35 | 01-1000V4-00631 | Screw Pan. Hd. #8-32 x 3/8 (Zinc)..... | AR |
| 36 | 01-1000V4-00434 | Washer - Flat #10 (SST)..... | 4 |
| 37 | 01-1000V4-00429 | Screw Pan Hd. Phil. #10-32 x 1/2 (Zinc)..... | AR |
| 38 | 01-1M2734-00001 | Plate - Transformer..... | 1 |
| 39 | 01-100V10-00120 | Transformer (1/2 KVA) (Export) (Located On Lift / Rack Assy.)..... | 1 |

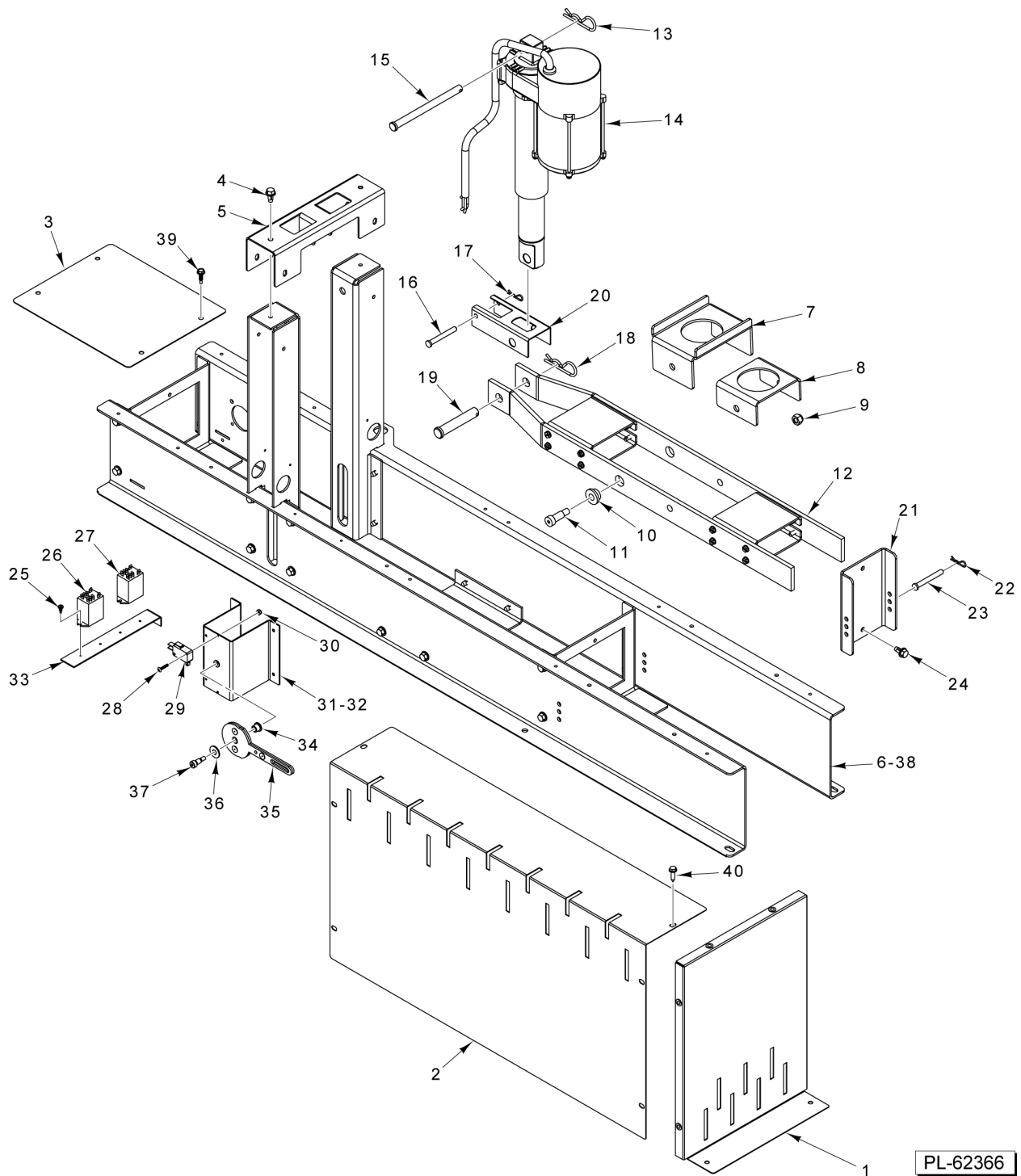


LOADING DOOR

LOADING DOOR

| ILLUS. | PART NO. | NAME OF PART | AMT. |
|----------|-----------------|--|------|
| PL-62363 | | | |
| 1 | 01-1000V0-00080 | Bearing - Door Hinge (Brass)..... | 4 |
| 2 | 01-1000V4-00284 | Screw 10-32 x 3/4 Hex Washer Hd., Serrated Flange (SST)..... | AR |
| 3 | 01-1000V4-00434 | Washer - Flat #10 (SST)..... | AR |
| 4 | 01-1000V4-00499 | Mach. Screw 1/4-20 x 1" Phillips Flt Hd (W/Patch) (SST)..... | AR |
| 5 | 01-100V16-00765 | Glass - Double Pane..... | 1 |
| 6 | 01-100V16-00766 | Gasket - Window (One-Piece Fused Corners)..... | 1 |
| 7 | 01-100V16-01160 | Latch - Loading Door..... | 1 |
| 8 | 01-100V16-0779A | Gasket - Door Sweep..... | 1 |
| *9 | 01-1M5918-00004 | Hinge Kit (Incls. Items 1, 10, & 11)..... | 1 |
| 10 | 01-1M5918-00201 | Pin - Hinge Loading Door..... | 4 |
| 11 | 01-1M5918-00301 | Hinge - Door (Female)..... | 2 |
| 12 | 01-1M6101-00112 | Sweep - Inner Door..... | 1 |
| 13 | 01-1M6101-00113 | Sweep - Outer Door..... | 1 |
| 14 | 01-1M6105-00101 | Retainer - Door Glass (Ver. Ext)..... | 2 |
| 15 | 01-1M6106-00201 | Retainer - Door Glass (Horiz. Ext)..... | 2 |
| 16 | 01-1M7564-00001 | Handle - Inner Push Button..... | 1 |
| 17 | 01-1M7569-00001 | Inner Skin Assy..... | 1 |
| 18 | 01-1M7647-00001 | Loading Door Assy..... | 1 |
| 19 | 01-100V21-0065A | Tape - Fiberglass (1/8 x 1)..... | AR |

* Kit includes quantity for one hinge assembly

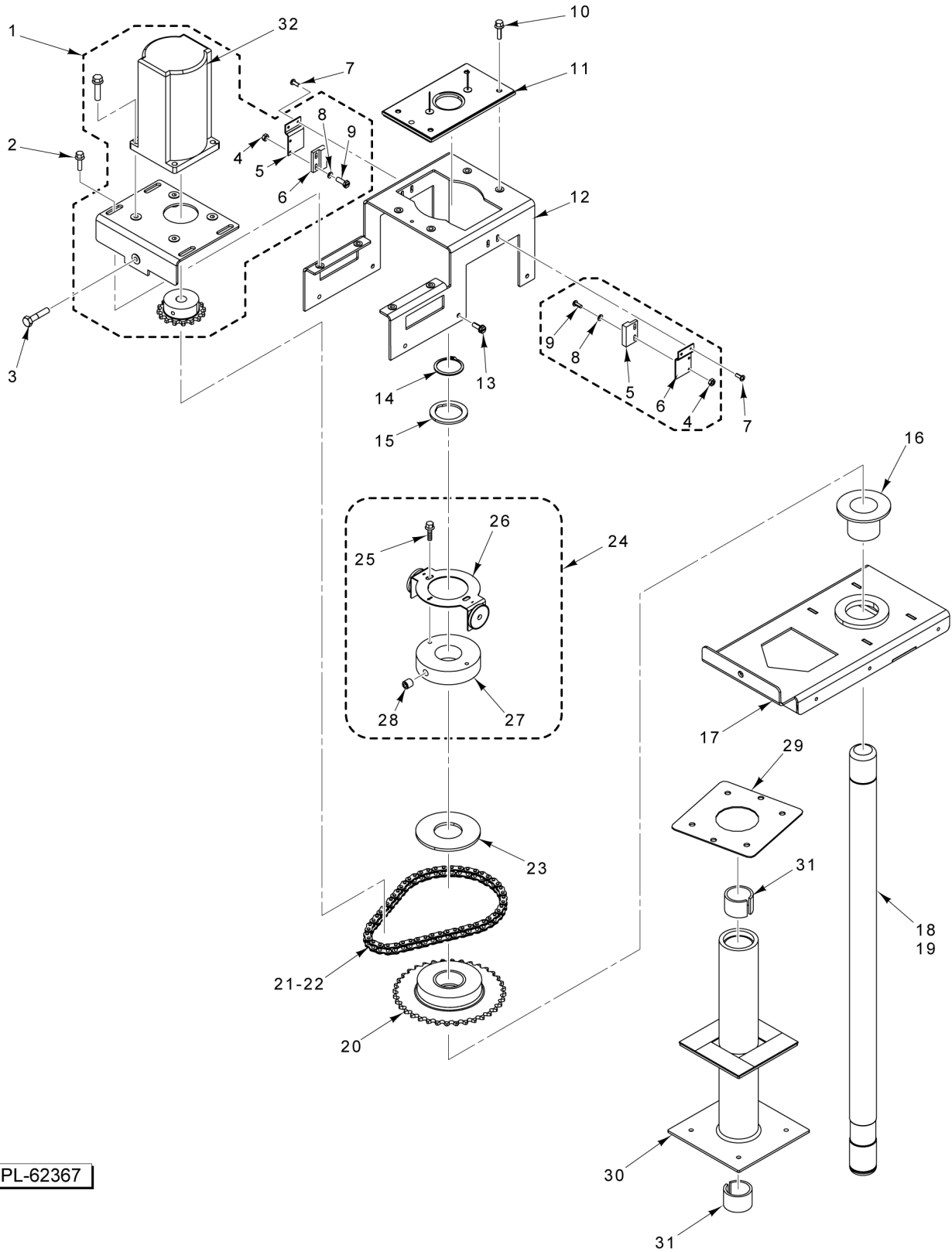


PL-62366

LIFTER

LIFTER

| ILLUS. PL-62366 | PART NO. | NAME OF PART | AMT. |
|--------------------|-----------------|--|------|
| 1 | 01-1M6608-00001 | Cover - Front/Back..... | 2 |
| 2 | 01-1M6608-00002 | Cover - Side..... | 2 |
| 3 | 01-1M6608-00003 | Cover - Front..... | 1 |
| 4 | 01-1000V4-00436 | Screw 1/4-20 x 1/2 Hex Hd..... | 6 |
| 5 | 01-1M7544-00101 | Bracket - Support..... | 1 |
| 6 | 01-1M7544-00001 | Body - Rack Lift Assy. (Incls. Items 4 & 5)..... | 1 |
| 7 | 01-1M6601-00103 | Support - Rotator..... | 1 |
| 8 | 01-1M6601-00104 | Support - Rotator..... | 1 |
| 9 | 01-1000V4-00380 | Nut 5/16-18 NYLOCK..... | 2 |
| 10 | 01-1000V0-00121 | Bearing..... | 2 |
| 11 | 01-1000V4-00379 | Bolt - Shoulder..... | 2 |
| 12 | 01-1M6601-00001 | Lifting Arm Assy. (Incls. Items 7 thru 11)..... | 1 |
| 13 | 01-1000V1-0086A | Pin - Cotter..... | 1 |
| 14 | 01-1M7699-00001 | Kit - Actuator W/ Bracket..... | 1 |
| 15 | 01-1000V1-00108 | Pin 3/8 x 5 In..... | 1 |
| 16 | 01-1000V1-00087 | Pin - Clevis (1/4 x 2 In.)..... | 1 |
| 17 | 01-1000V1-0087A | Pin..... | 1 |
| 18 | 01-1000V1-0086A | Pin - Cotter..... | 1 |
| 19 | 01-1000V1-00109 | Pin - Clevis (1/2 x 2-3/4 In.)..... | 1 |
| 20 | 01-1M7551-00101 | Bracket - Lift Actuator..... | 1 |
| 21 | 01-1M6600-00203 | Bracket - Support..... | 1 |
| 22 | 01-1000V1-0087A | Pin..... | 2 |
| 23 | 01-1000V1-00087 | Pin - Clevis (1/4 x 2 In.)..... | 2 |
| 24 | 01-1000V4-00436 | Screw 1/4-20 x 1/2 Hex Hd..... | 2 |
| 25 | 01-1000V4-00510 | Screw Mach. - Pan Head (6-20 x 0.375)..... | 4 |
| 26 | 01-1000V6-00271 | Relay - D.P.D.T. (1/2 Hp., 120 VAC)..... | 1 |
| 27 | 01-1000V6-00297 | Relay - DPDT 1/2 HP. (24V Coil)..... | 1 |
| 28 | 01-1000V4-00461 | Screw 4-40 x 5/8 (SST)..... | 4 |
| 29 | 01-1000V6-00343 | Switch - Lever SPST..... | 2 |
| 30 | 01-1000V4-00355 | Nut..... | 4 |
| 31 | 01-1M6603-00001 | Bracket Assy. - Switch..... | 1 |
| 32 | 01-1M6630-00002 | Harness - Rack Lift..... | 1 |
| 33 | 01-1M6600-00104 | Bracket - Relay..... | 1 |
| 34 | 01-1000V0-00139 | Bearing - Flanged Sleeve..... | 1 |
| 35 | 01-1M7551-00102 | Cam - Lift Switch (B & C Lift)..... | 1 |
| 36 | 01-1000V4-00433 | Washer 1/4 In. (SST)..... | 1 |
| 37 | 01-1000V4-00572 | Shoulder Screw, #10-32 X 3/8 Thread Length, .25 DIA X 3/8 Shoulder Length..... | 1 |
| 38 | 01-1M7551-00001 | Rack Lift Assy. (B & C Lift) (Incls. Items 6, 12 thru 25, & 32 thru 37)..... | 1 |
| 39 | 01-1000V4-00426 | Screw #10-16 x 3/4 Hex Hd. (Drill Tip) (SST)..... | AR |
| 40 | 01-1000V4-00400 | Cap Screw 10-32 x 3/4 Hex Hd. (SST)..... | AR |

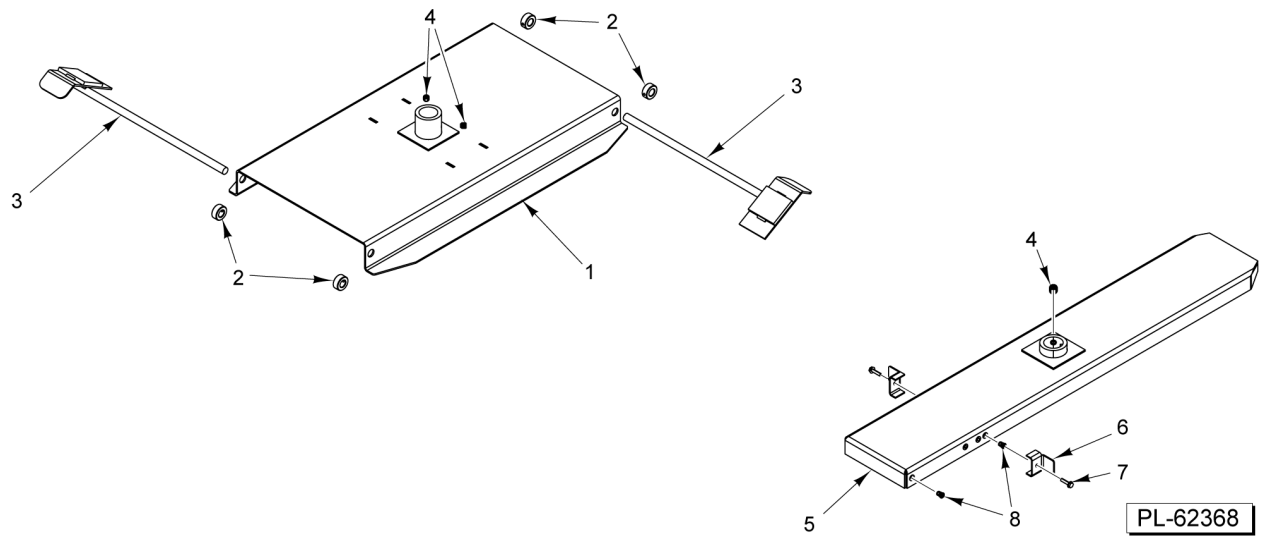


PL-62367

ROTATOR

ROTATOR

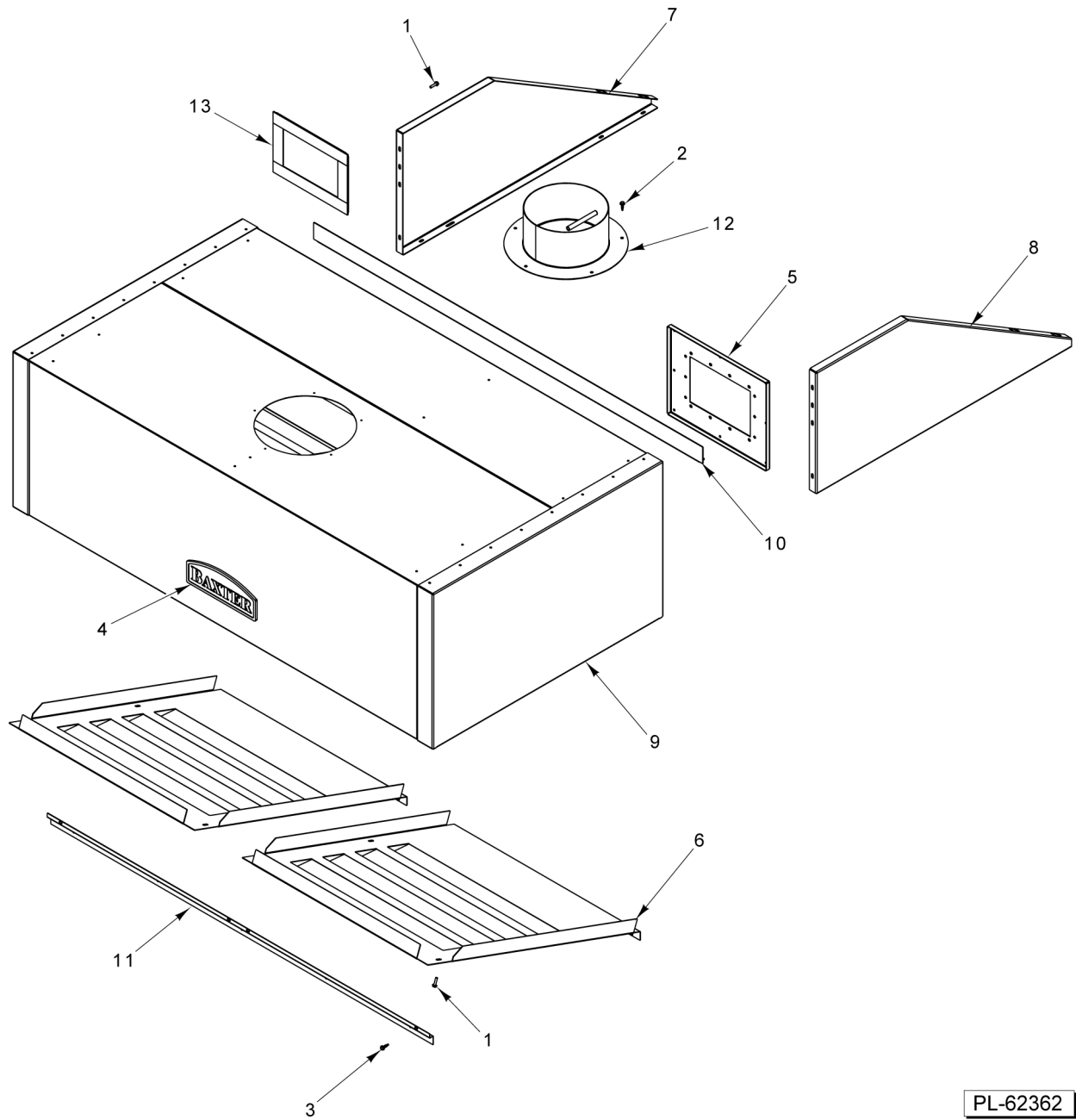
| ILLUS. PL-62367 | PART NO. | NAME OF PART | AMT. |
|--------------------|-----------------|--|------|
| 1 | 01-1M7318-00001 | Rotation Motor Assy. (Incls. Items 4 thru 6, 8, & 9)..... | 1 |
| 2 | 01-1000V4-00284 | Screw 10-32 x 3/4 Hex Washer Hd., Serrated Flange (SST)..... | 4 |
| 3 | 01-1000V4-00564 | Screw, Sheet Metal Hex Hd. W/ Washer 1/4-20 x 1 (SST)..... | 1 |
| 4 | 01-1000V4-00586 | Nut..... | 4 |
| 5 | 01-1M6604-00106 | Bracket - Rotate Switch..... | 2 |
| 6 | 01-1M5777-00101 | Switch (Magnetic)..... | 2 |
| 7 | 01-1000V4-00515 | Screw - Sheet Metal, Pan Hd. 6-32 x 3/8 (Zinc)..... | AR |
| 8 | 01-1000V4-00585 | Flat Washer..... | 4 |
| 9 | 01-1000V4-00584 | Screw..... | 4 |
| 10 | 01-1000V4-00284 | Screw 10-32 x 3/4 Hex Washer Hd., Serrated Flange (SST)..... | 4 |
| 11 | 01-1M6606-00002 | Shaft Alignment Assy..... | 1 |
| 12 | 01-1M6604-00201 | Bracket - Mounting..... | 1 |
| 13 | 01-1000V4-00385 | Screw - Sheet Metal, Hex Hd. 10-16 x 3/4 (SST)..... | 4 |
| 14 | 01-1000V1-00085 | Snap Ring..... | 1 |
| 15 | 01-1M6704-00001 | Shim - Carrier (Height Adjustment)..... | 1 |
| 16 | 01-1000V0-00114 | Bearing - Flange..... | 1 |
| 17 | 01-1M6605-00001 | Rotator - Lifter..... | 1 |
| 18 | 01-1M6604-00105 | Shaft - Rotator (B Style)..... | 1 |
| 19 | 01-1M6604-00305 | Shaft - Rotator (C Style)..... | 1 |
| 20 | 01-1M6610-00001 | Sprocket - Rotator..... | 1 |
| 21 | 01-1000V3-0087A | Chain - Roller 20-1/8 In..... | 1 |
| 22 | 01-1000V3-00088 | Link - Connecting..... | AR |
| 23 | 01-1M6604-00104 | Clutch - Slide..... | 1 |
| 24 | 01-1M6629-00004 | Magnet Switch Assy. (Two Magnets) (B Style) (C Style) (Incls. Items 25 thru 28)..... | 1 |
| 25 | 01-1000V4-00284 | Screw 10-32 x 3/4 Hex Washer Hd., Serrated Flange (SST)..... | 2 |
| 26 | 01-1M6880-00004 | Pointer Assy. (Two Magnets) (B Style) (C Style)..... | 1 |
| 27 | 01-1M6604-00103 | Collar, Set - Rotator..... | 1 |
| 28 | 01-1000V4-00161 | Screw, Set - Allen (3/8-16)..... | 1 |
| 29 | 01-1M6715-00001 | Clamp - Rotator Housing..... | 1 |
| 30 | 01-1M6662-00001 | Housing - Shaft..... | 1 |
| 31 | 01-1M7464-00001 | Kit - Bearing (Shaft Housing)..... | 1 |
| 32 | 01-1000V8-0177C | Capacitor, Motor Run - (4uF/250VAC)..... | 1 |



CARRIER

CARRIER

| ILLUS. | PART NO. | NAME OF PART | AMT. |
|---------------|-----------------|---|-------------|
| 1 | 01-1M7630-00001 | Carrier (B Style) (Single Rack) (Incls. Items 2 thru 4)..... | 1 |
| 2 | 01-1000V1-00013 | Collar - Set 1/2 In. Dia..... | 4 |
| 3 | 01-1M2580-00002 | Stop - Rack Carrier (B Style Carrier)..... | 2 |
| 4 | 01-1000V4-00654 | Screw - Set 3/8-24 x 3/8 (Knurled Tip)..... | 2 |
| 5 | 01-1M6770-00005 | Carrier (C Style) (Single Rack) (Incls. Items 4, & 6 thru 8)..... | 1 |
| 6 | 01-1M4862-00201 | Stop - Rack Carrier (C Style Carrier)..... | 2 |
| 7 | 01-1000V4-00284 | Screw 10-32 x 3/4 Hex Washer Hd., Serrated Flange (SST)..... | 2 |
| 8 | 01-1000V4-00121 | Insert - Threaded 10-32 Hex..... | 6 |



PL-62362

HOOD - TYPE II

HOOD - TYPE II

| ILLUS. | PART NO. | NAME OF PART | AMT. |
|----------|-----------------|--|------|
| PL-62362 | | | |
| 1 | 01-1000V4-00284 | Screw 10-32 x 3/4 Hex Washer Hd., Serrated Flange (SST)..... | AR |
| 2 | 01-1000V4-00385 | Screw - Sheet Metal, Hex Hd. 10-16 x 3/4 (SST)..... | AR |
| 3 | 01-1000V4-00386 | Screw Hex Hd. 10-32 x 1/2 In. (SST)..... | AR |
| 4 | 01-100V16-0772D | Nameplate - Baxter (9 In.)..... | 1 |
| 5 | 01-1M7587-00001 | Seal Plate - Over Pressure Assy..... | 1 |
| 6 | 01-1M7588-00001 | Main Baffle - Hood..... | 2 |
| 7 | 01-1M7593-00001 | Trim - Hood (LH)..... | 1 |
| 8 | 01-1M7594-00001 | Trim - Hood (RH)..... | 1 |
| *9 | 01-1M7597-00001 | Hood - Type II (Crated) (30 In.)..... | 1 |
| 10 | 01-1M7595-00206 | Bracket - Hood Mount..... | 1 |
| 11 | 01-1M7595-00207 | Bracket - Split Baffle..... | 1 |
| 12 | 01-1M7618-00001 | Collar - Duct..... | 1 |
| 13 | 01-1M7704-00001 | Cover Plate - Exhaust Duct..... | 1 |

* Order with 01-1M7704-00001 Qty. 1

