



CATALOG OF REPLACEMENT PARTS



HCM450 CUTTER/MIXER (MLs 134207, 134208, 134209)

ML-134207	HCM450
ML-134208	HCM450 (Canada)
ML-134209	HCM450C
ML-141116	HCM450
ML-141117	HCM450
ML-141118	HCM450

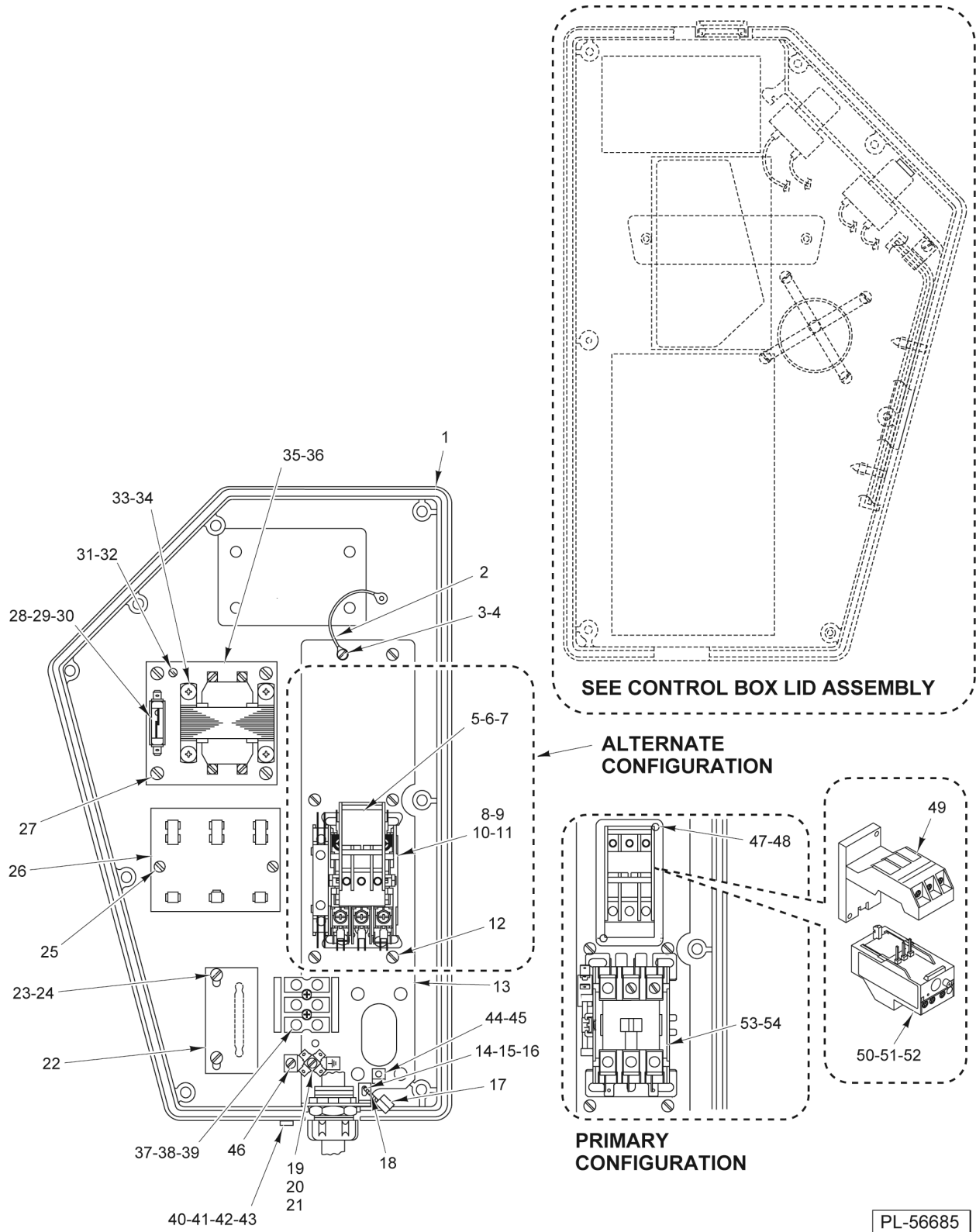
PRIOR MLS COVERED IN THIS MANUAL

ML-134170	HCM450
ML-134172	HCM450C
ML-136137	HCM450
ML-136138	HCM450 (Canada)

(INCLUDES MOTOR PARTS)

Table of Contents

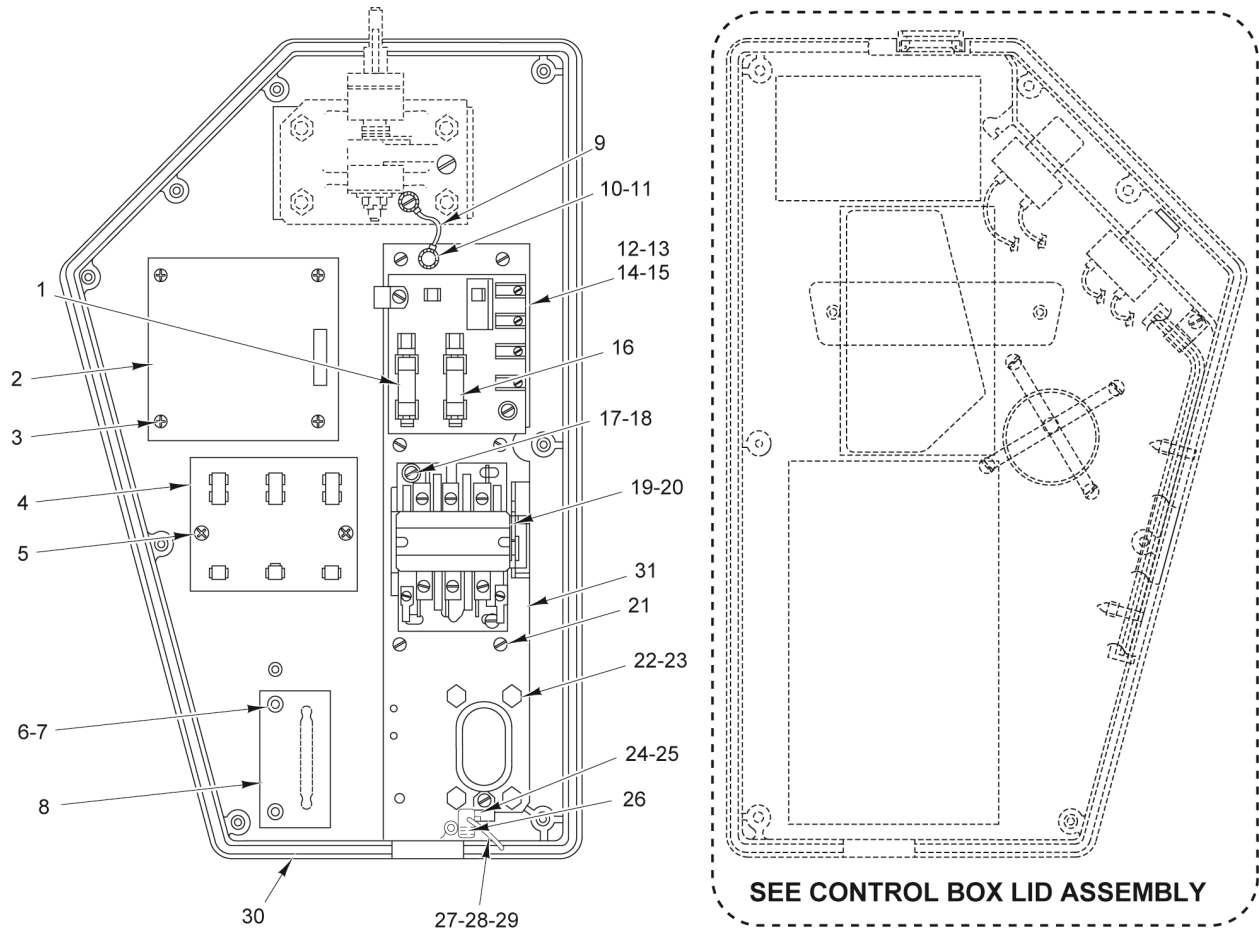
5	CONTROL BOX ASSEMBLY (ML-134207, ML-134208, ML-134209, ML-136137, & ML-136138)
7	CONTROL BOX ASSEMBLY (ML-134170 & ML-134172)
9	CONTROL BOX LID ASSEMBLY
11	CORD AND PLUG ASSEMBLY
13	BOWL LID ASSEMBLY
15	HANDLE LOCK ASSEMBLY
17	KNIFE
19	BRAKE AND BOWL
21	MOTOR ASSEMBLY
23	SUPPORT AND MOTOR ASSEMBLY
25	FRAME ASSEMBLY



CONTROL BOX ASSEMBLY
(ML-134207, ML-134208, ML-134209, ML-136137, & ML-136138)

**CONTROL BOX ASSEMBLY
(ML-134207, ML-134208, ML-134209, ML-136137, & ML-136138)**

ILLUS. PL-56685	PART NO.	NAME OF PART	AMT.
1	00-122210	Control Box.....	1
2	00-123648-00006	Lead Wire Assy. (Ground) (60 Hz.).....	1
3	SC-008-09	Mach. Screw 10-24 x 3/8 Slotted Rd. Hd. (60 Hz.).....	1
4	WL-007-12	Lockwasher #10 External Shakeproof (60 Hz.).....	1
5	00-088196-024-4	Relay - Overload (220/50/3) (230/60/3).....	1
6	00-088196-024-2	Relay - Overload (380-415/50/3) (460/60/3).....	1
7	00-088196-024-1	Relay - Overload (200-208/60/3).....	1
8	00-087713-107-1	Contactactor (200-230 V.).....	1
9	00-087713-107-2	Contactactor (400-460 V.).....	1
10	SC-008-09	Mach. Screw 10-24 x 3/8 Slotted Rd. Hd.....	2
11	WL-007-12	Lockwasher #10 External Shakeproof.....	2
12	SD-033-04	Self-Tapping Screw 10-16 x 3/8 Phil. Rd. Hd., Type BT.....	6
13	00-122192	Bracket - Control.....	1
14	00-122268	Bracket - Cable.....	1
15	SC-009-69	Mach. Screw 6-32 x 1/2 Slotted Rd. Hd.....	1
16	NS-009-07	Nut 6-32 Hex.....	1
17	00-118233	Ferrule (Double).....	2
18	00-118234-00005	Cable (5.625 In. Lg.).....	1
19	SC-009-61	Mach. Screw 8-32 x 1/2 Slotted Rd. Hd. (50 Hz.).....	1
20	WL-007-07	Lockwasher #8 External Shakeproof (50 Hz.).....	1
21	00-065890-00090	Terminal (2-Tab).....	2
22	00-122218	Reed Mounting Board Assy. (Incls. Item 23).....	1
23	SD-013-07	Self-Tapping Screw 6-20 x 5/16 Phil. Pan Hd., Type BT.....	2
24	WS-028-01	Washer.....	2
25	SD-033-05	Self-Tapping Screw 10-16 x 1/2 Slotted Rd. Hd., Type BT.....	2
26	00-121014	Board - Terminal.....	1
27	SD-013-07	Self-Tapping Screw 6-20 x 5/16 Phil. Pan Hd., Type BT.....	4
28	00-294436-00003	Block - Fuse (380-415/50/3) (460/60/3).....	1
29	FE-009-25	Fuse (250 V., 0.5 Amp.) (380-415/50/3) (460/60/3).....	1
30	SD-013-07	Self-Tapping Screw 6-20 x 5/16 Phil. Pan Hd., Type BT.....	1
31	SC-008-09	Mach. Screw 10-24 x 3/8 Slotted Rd. Hd. (380-415/50/3) (460/60/3).....	1
32	WL-007-12	Lockwasher #10 External Shakeproof (380-415/50/3) (460/60/3).....	1
33	00-101935	Transformer (380-415/50/3) (460/60/3).....	1
34	SD-033-04	Self-Tapping Screw 10-16 x 3/8 Phil. Rd. Hd., Type BT.....	4
35	00-875513	Plate - Transformer Mounting (380-415/50/3) (460/60/3).....	1
36	00-875518	Plate Assy. (380-415/50/3) (460/60/3) (Incls. Items 29 thru 36).....	1
37	00-111995	Block - Terminal (50 Hz.).....	1
38	SC-009-96	Mach. Screw 8-32 x 1-1/4 Slotted Rd. Hd. (50 Hz.).....	2
39	WL-006-01	Lockwasher #8 Helical (SST) (50 Hz.).....	2
40	SC-009-69	Mach. Screw 6-32 x 1/2 Slotted Rd. Hd.....	1
41	WL-008-02	Lockwasher #6 Internal Shakeproof.....	1
42	NS-009-07	Nut 6-32 Hex.....	1
43	00-078752-00009	Clamp - Cable.....	1
44	SC-009-49	Mach. Screw 6-32 x 3/8 Slotted Rd. Hd.....	1
45	00-078752-00009	Clamp - Cable.....	1
46	00-118544-00001	Lug - Solderless (415/50/3).....	1
47	SC-007-41	Mach. Screw 8-32 x 3/8 Slotted Rd. Hd.....	2
48	WL-007-07	Lockwasher #8 External Shakeproof.....	2
49	00-937596-00002	Protector - Motor (Overload).....	1
50	00-088196-024-1	Relay - Overload (200-208/60/3).....	1
51	00-088196-024-2	Relay - Overload (460/60/3).....	1
52	00-088196-024-4	Relay - Overload (230/60/3).....	1
53	00-087713-102-1	Contactactor (30 Amp.) (3 Pole) (200-208/60/3) (230/60/3).....	1
54	00-087713-102-2	Contactactor (30 Amp.) (3 Pole) (460/60/3).....	1

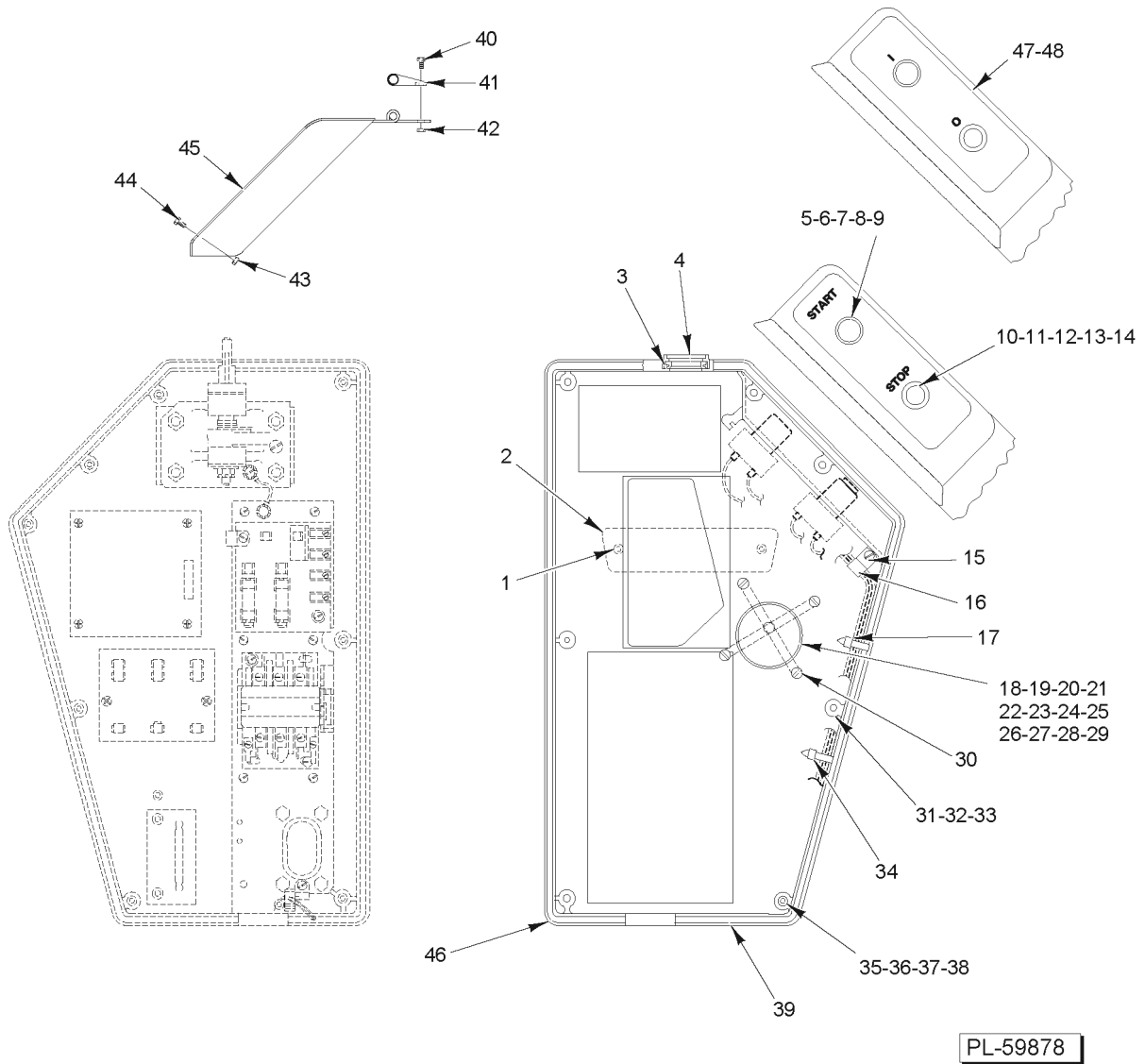


PL-56757

**CONTROL BOX ASSEMBLY
(ML-134170 & ML-134172)**

**CONTROL BOX ASSEMBLY
(ML-134170 & ML-134172)**

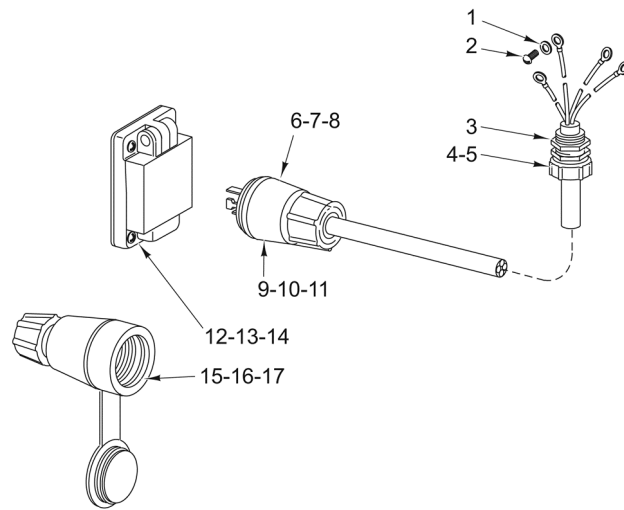
ILLUS.	PART NO.	NAME OF PART	AMT.
PL-56757			
1	FE-024-16	Fuse (500 V., 0.5 Amp.).....	2
2	00-278328	Motor Protection Board Assy.....	1
3	SD-013-07	Self-Tapping Screw 6-20 x 5/16 Phil. Pan Hd., Type BT.....	4
4	00-121014	Board - Terminal.....	1
5	SD-033-05	Self-Tapping Screw 10-16 x 1/2 Slotted Rd. Hd., Type BT.....	2
6	SD-013-07	Self-Tapping Screw 6-20 x 5/16 Phil. Pan Hd., Type BT.....	2
7	WS-028-01	Washer.....	2
8	00-122218	Reed Mounting Board Assy. (Incls. Item 9).....	1
9	00-123648-00006	Lead Wire Assy. (Ground).....	1
10	SC-008-09	Mach. Screw 10-24 x 3/8 Slotted Rd. Hd.....	1
11	WL-007-12	Lockwasher #10 External Shakeproof.....	1
12	00-117034-00007	Power Input Board Assy. (Incls. Items 16 & 17).....	1
13	SC-008-09	Mach. Screw 10-24 x 3/8 Slotted Rd. Hd.....	3
14	WL-007-12	Lockwasher #10 External Shakeproof.....	1
15	FE-022-63	Fuse (3 Amp., 125 V.).....	1
16	00-294178	Clip - Fuse.....	2
17	SC-008-09	Mach. Screw 10-24 x 3/8 Slotted Rd. Hd.....	2
18	WL-007-12	Lockwasher #10 External Shakeproof.....	1
19	00-121926-00002	Contactactor (3-Pole) (110-120 V.).....	1
20	00-121926-00001	Contactactor (3-Pole) (200-240 V.).....	1
21	SD-033-04	Self-Tapping Screw 10-16 x 3/8 Phil. Rd. Hd., Type BT.....	6
22	SC-037-85	Cap Screw 5/16-18 x 1 Hex Hd.....	4
23	WL-003-47	Lockwasher 5/16 Helical.....	4
24	00-118234-00005	Cable (5.625 In. Lg.).....	1
25	00-118233	Ferrule (Double).....	2
26	00-078752-00003	Clamp - Cable.....	1
27	00-122268	Bracket - Cable.....	1
28	SC-009-69	Mach. Screw 6-32 x 1/2 Slotted Rd. Hd.....	1
29	NS-009-07	Nut 6-32 Hex.....	1
30	00-122210	Control Box.....	1
31	00-122192	Bracket - Control.....	1



CONTROL BOX LID ASSEMBLY

CONTROL BOX LID ASSEMBLY

ILLUS.	PART NO.	NAME OF PART	AMT.
PL-59878			
1	00-121676-00001	Self-Tapping Screw #2 x 1/4 Truss Hd.....	2
2	00-117858-00002	Logo.....	1
3	00-123074-00005	Seal - V-Ring.....	1
4	00-123221	Insert - Cover.....	1
5	00-087711-322-3	Block - Contact.....	1
6	00-478752-00001	Switch - Operator (Start) (ML-134170 & ML-134172).....	1
7	00-478752-00003	Switch - Operator (Start) (ML-134207, ML-134208, ML-134209, ML-136137, & ML-136138).....	1
8	00-478753-00002	Cap - Round Pushbutton Flush.....	1
9	00-873427	Cap - Protective.....	1
10	00-087711-322-4	Block - Contact (NC).....	1
11	00-478752-00008	Switch Assy. (Stop) (ML-134170 & ML-134172).....	1
12	00-478752-00002	Switch - Operator (Stop) (ML-134207, ML-134208, ML-134209, ML-136137, & ML-136138).....	1
13	00-478751-00003	Cap - Round Pushbutton Flush.....	1
14	00-873427-00002	Cap - Protective.....	1
15	SD-033-03	Self-Tapping Screw 6-20 x 1/2 Slotted Rd. Hd., Type BT.....	1
16	00-078752-00006	Clamp.....	2
17	00-113703	Cable Tie.....	1
18	00-294650-004-9	Timer Assy. (115/60).....	1
19	00-294650-04-10	Timer Assy. (115/50).....	1
20	00-294650-04-12	Timer Assy. (220-240/60).....	1
21	00-294650-04-13	Timer Assy. (220-240/50).....	1
22	00-124826	Guard - Timer Knob (HCM450).....	1
23	00-438194	Guard - Timer Knob (HCM450C).....	1
24	SC-019-34	Mach. Screw 8-32 x 1/2 Slotted Bind. Hd.....	2
25	WL-007-07	Lockwasher #8 External Shakeproof.....	2
26	00-292349-00001	Timer Knob Assy. (5 Min. Timer) (60 Hz.).....	1
27	00-292349-00002	Timer Knob Assy. (5 Min. Timer) (50 Hz.).....	1
28	00-292350	Plate - Indicator.....	1
29	SC-025-18	Mach. Screw 5-40 x 1/2 Slotted Bndg. Hd. (SST).....	2
30	SC-019-34	Mach. Screw 8-32 x 1/2 Slotted Bind. Hd.....	2
31	00-438239	Insulated Screw Assy. (HCM450C).....	3
32	00-290354	Insulated Screw Assy. (HCM450).....	5
33	WS-029-20	Washer (Rubber).....	4
34	00-113703	Cable Tie.....	1
35	00-067500-00038	O-Ring.....	1
36	00-438238	Insulated Screw Assy. (HCM450C).....	5
37	00-290353	Insulated Screw Assy. (HCM450).....	5
38	WS-029-20	Washer (Rubber).....	5
39	00-292612	Gasket - Control Box Lid.....	1
40	SC-129-74	Mach. Screw 10-24 x 1/2 Tx. Button Hd. (SST) (HCM450C).....	2
41	00-438247	NLA - Obsolete--Hasp - Weldment (HCM450C).....	1
42	NS-038-13	Lock Nut 10-24 Hex (HCM450C).....	2
43	NS-038-13	Lock Nut 10-24 Hex (HCM450C).....	2
44	SC-124-90	Mach. Screw 10-24 x 3/4 Tx. Button Hd. (HCM450C).....	2
45	00-438242	Cover - Weldment (HCM450C).....	1
46	00-875473	Lid - Control Box.....	1
47	00-875480	Label - Start Up W/Pushbuttons (50 Hz.) (ML-134208).....	1
48	00-875475	Label - Start Up W/Pushbuttons (60 Hz.).....	1

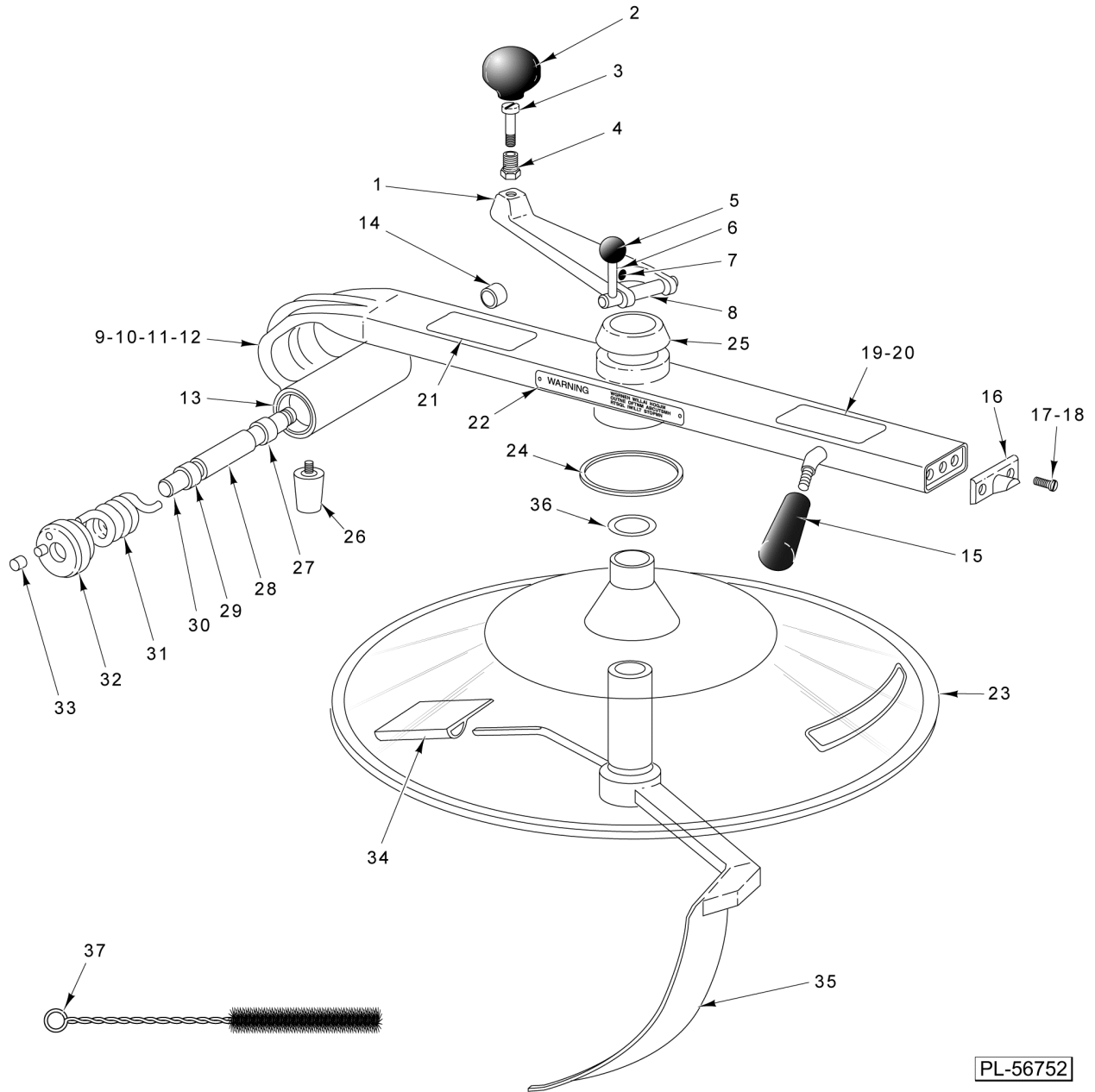


PL-56686

CORD AND PLUG ASSEMBLY

CORD AND PLUG ASSEMBLY

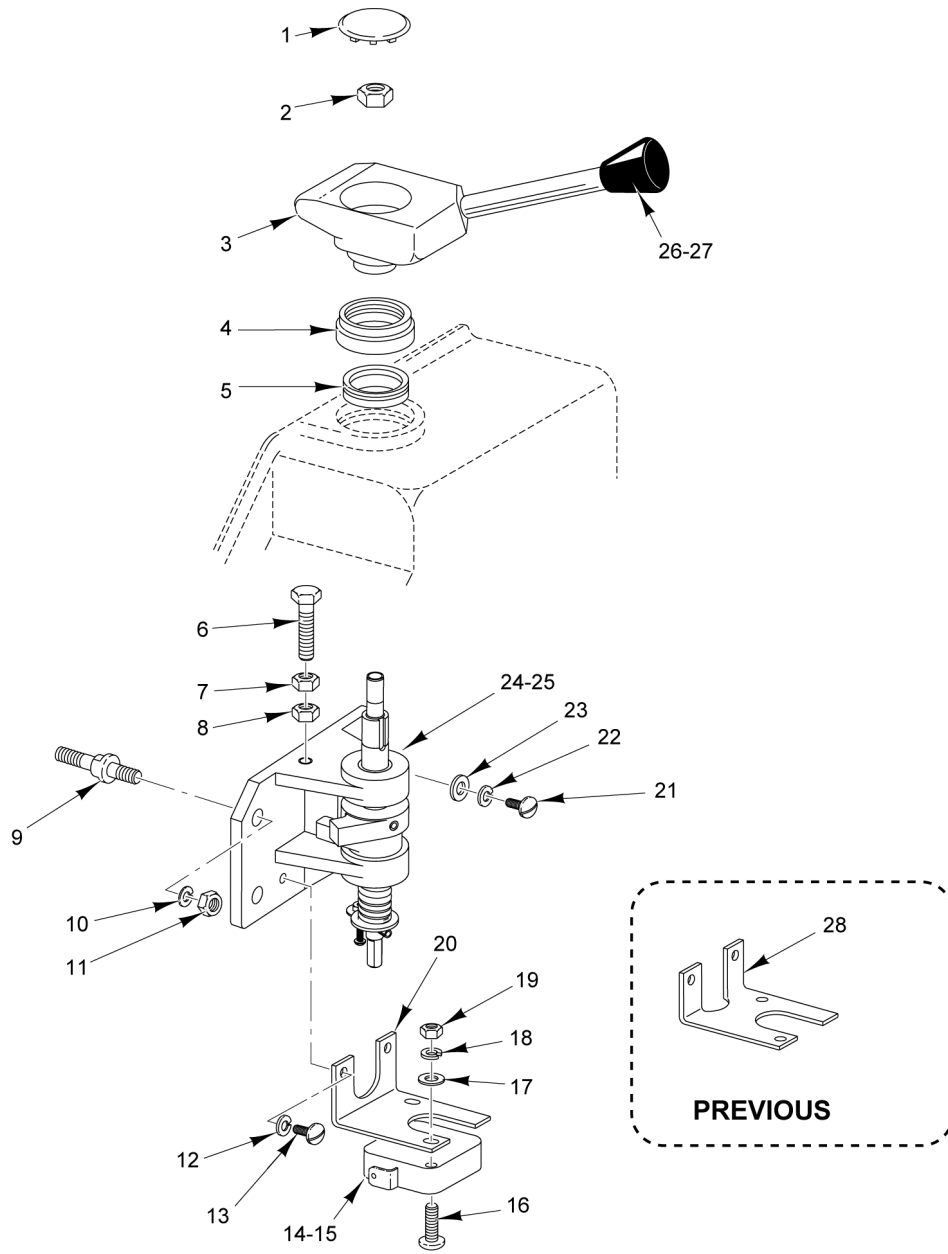
ILLUS.	PART NO.	NAME OF PART	AMT.
PL-56686			
1	WL-007-07	Lockwasher #8 External Shakeproof (60 Hz.).....	1
2	SC-009-56	Mach. Screw 8-32 x 3/8 Slotted Rd. Hd. (60 Hz.).....	1
3	FE-007-12	Lock Nut 3/4 Electrical.....	1
4	FE-014-14	Strain Relief (60 Hz.).....	1
5	FE-015-38	Strain Relief (50 Hz.).....	1
6	00-124586	Plug & Cover (200 V.).....	1
7	00-117611-00009	Plug - 3 Phase (460 V.).....	1
8	00-117611-00008	Plug - 3 Phase (230 V.).....	1
9	00-117612-00008	Cord & Plug Assy. (230 V.) (Incls. Item 8).....	1
10	00-117612-00009	Cord & Plug Assy. (460 V.) (Incls. Item 7).....	1
11	00-122292-00001	Cord & Plug Assy. (200 V.) (Incls. Item 6).....	1
12	00-117631-00001	Receptacle (230 V.).....	1
13	00-117631-00002	Receptacle (460 V.).....	1
14	00-123816-00001	Receptacle & Cover Assy. (200 V.).....	1
15	00-117625-00001	Connector (230 V.).....	1
16	00-117625-00002	Connector (460 V.).....	1
17	00-123805-00001	NLA - Obsolete--Connector & Cover Assy. (200 V.).....	1



BOWL LID ASSEMBLY

BOWL LID ASSEMBLY

ILLUS.	PART NO.	NAME OF PART	AMT.
PL-56752			
1	00-123574	Baffle Handle Assy. (Incls. Items 2 thru 8).....	1
2	00-123174	Knob.....	1
3	00-124356	Stud - Handle.....	1
4	00-124469	Insert - Handle.....	1
5	00-077401	Knob.....	1
6	00-122586	Handle - Baffle Lock.....	1
7	SC-118-52	Set Screw 1/4-20 x 1/2 Hdls. Cup Pt.....	1
8	00-122315	Pin - Baffle Lock.....	1
9	00-290702-00001	Lid Handle Assy. (Incls. Items 13 thru 17, 19, 20, & 21).....	1
10	00-290702-00003	NLA - Obsolete--Lid Handle Assy. (50 Hz.) (Incls. Items 13 thru 17, 19, 20, & 21).....	1
11	00-438003-00003	NLA - Obsolete--Lid Handle Assy. (HCM450C) (Incls. Items 13 thru 16 & 18 thru 21)	1
12	00-290713	Lid Handle Assy. (ML-134208) (Incls. Items 13 thru 17, 21, & 22).....	1
13	00-110544-00008	Bushing (1.656 In. O.D.).....	1
14	00-110544-00007	Bushing (0.718 In. O.D.).....	1
15	00-123172	Handle.....	1
16	00-938543	Plate - Lock.....	1
17	SC-119-58	Mach. Screw 1/4-20 x 1/2 Slotted Pan Hd. (SST).....	2
18	SC-124-50	Mach. Screw 1/4-20 x 3/4 Tx. Button Hd. (HMC450C).....	2
19	00-438131-00100	Label - Warning (Rotating Knives).....	1
20	00-121676-00001	Self-Tapping Screw #2 x 1/4 Truss Hd.....	2
21	00-437624	Label - Cleaning.....	1
22	0F-013886	Label - Warning (Canada).....	1
23	00-292797	Lid Kit (Incls. Items 24 & 25).....	1
24	00-439991	Shim.....	1
25	00-122587	Bushing - Cap.....	1
26	00-122264	Bumper - Lid.....	1
27	00-108394-00044	Sleeve Bearing (0.878 In. O.D.).....	1
28	00-122310	Sleeve.....	1
29	00-108394-00044	Sleeve Bearing (0.878 In. O.D.).....	1
30	00-122265	Shaft - Spring Pivot.....	1
31	00-122267	Spring - Torsion.....	1
32	00-123666	Cap Assy. - Spring.....	1
33	00-290921	Bushing - Lid Spring.....	1
34	00-122209-00001	Scraper.....	1
35	00-292808	Baffle Bar & Blade Assy.....	1
36	00-944079	Shim - Lid.....	AR
37	01-403675-00274	Brush - Cleaning.....	1



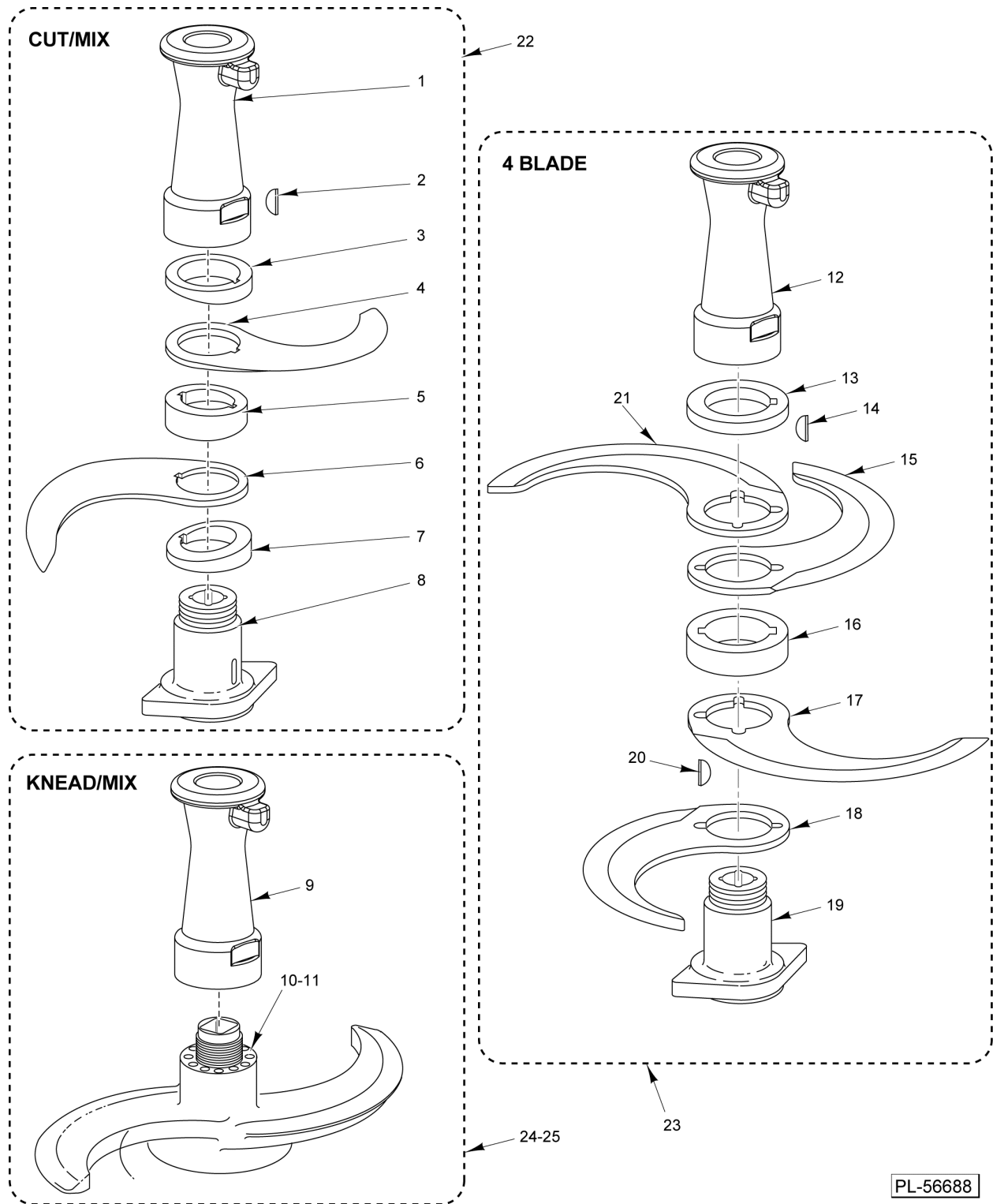
PL-56221

HANDLE LOCK ASSEMBLY

HANDLE LOCK ASSEMBLY

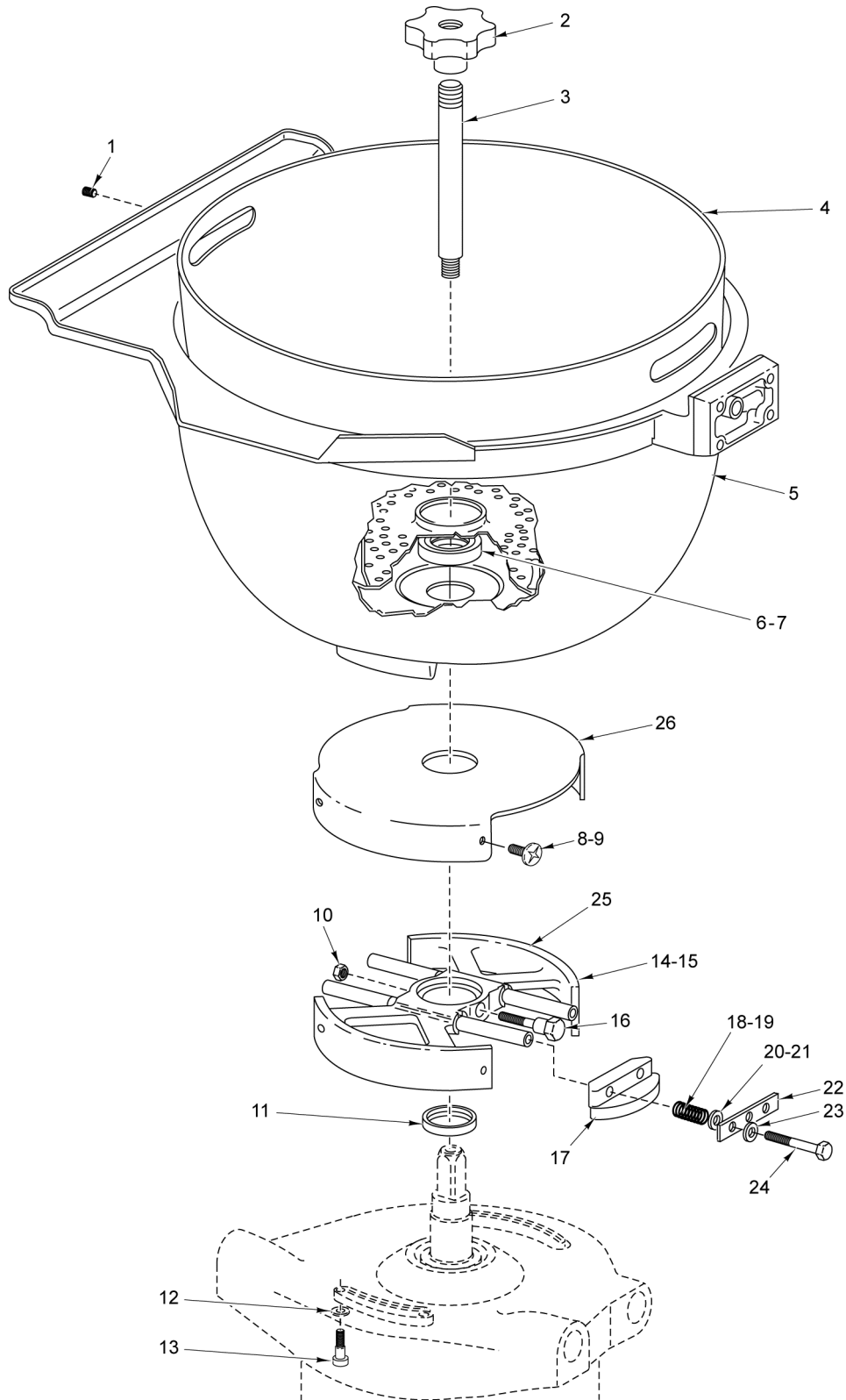
ILLUS. PL-56221	PART NO.	NAME OF PART	AMT.
1	00-290118	Plug - Hole.....	1
2	NS-036-19	Stop Nut 5/16-18 Hex (SST).....	1
3	00-290595	Lock Handle Assy. (HCM450).....	1
4	00-123221	Insert - Cover.....	1
5	00-123074-00005	Seal - V-Ring.....	1
6	SC-097-20	Cap Screw 1/4-20 x 1-1/8 Hex Hd.....	1
7	NS-013-02	Nut 1/4-20 Hex.....	1
8	NS-013-02	Nut 1/4-20 Hex.....	1
9	00-290913	Stud.....	4
10	WL-003-47	Lockwasher 5/16 Helical.....	4
11	NS-013-14	Nut 5/16-18 Hex.....	4
12	WL-004-40	Lockwasher 10 Helical.....	2
13	SC-008-09	Mach. Screw 10-24 x 3/8 Slotted Rd. Hd.....	2
14	00-087711-154-1	Switch - Interlock.....	1
15	00-290059	Insulator.....	1
16	SC-081-05	Mach. Screw 4-40 x 3/4 Slotted Rd. Hd.....	2
17	WS-023-40	Washer.....	2
18	WL-003-03	Lockwasher #4 Helical.....	2
19	NS-009-45	Nut 4-40 Hex.....	2
20	00-937592	Bracket - Switch.....	1
21	SC-008-09	Mach. Screw 10-24 x 3/8 Slotted Rd. Hd.....	1
22	WL-008-13	Lockwasher #10 Internal Shakeproof.....	1
23	WS-019-24	Washer.....	1
*24	00-937594	Interlock Shaft Assy. (Incls. Items 6, 7, 8, & 12 thru 23).....	1
25	00-291495	Shield (MBP).....	1
26	00-123173	Knob (HCM450).....	1
27	00-477102	Lock Handle Weldment (HCM450C).....	1
28	00-124968	Bracket - Switch.....	1

* (This Assembly is Spring Loaded. Do Not Disassemble.)



KNIFE

ILLUS. PL-56688	PART NO.	NAME OF PART	AMT.
1	00-944074	Sleeve - Blade Locking.....	1
2	KW-004-01	Key #1008 Woodruff.....	2
3	00-122290	Block - Single Angle.....	1
4	00-274662	Knife.....	1
5	00-122291	Block - Double Angle.....	1
6	00-274662	Knife.....	1
7	00-122290	Block - Single Angle.....	1
8	00-124265	Hub - Square Drive.....	1
9	00-944074	Sleeve - Blade Locking.....	1
10	00-124647-00001	Blade/Hub - Knead/Mix (14 In. Dia.).....	1
11	00-124647-00002	Blade/Hub - Knead/Mix (11.4 In. Dia.).....	1
12	00-944074	Sleeve - Blade Locking.....	1
13	00-293222	Spacer - Top.....	1
14	KW-004-01	Key #1008 Woodruff.....	1
15	00-274662	Knife.....	1
16	00-293223	Spacer - Middle.....	1
17	00-274664	Knife.....	1
18	00-274662	Knife.....	1
19	00-124265	Hub - Square Drive.....	1
20	KW-004-01	Key #1008 Woodruff.....	1
21	00-274664	Knife.....	1
22	00-937409-00001	Cut/Mix Shaft Assy. (Incls. Items 1 thru 8).....	1
23	00-315251	Knife Assy. (4 Blade) (Packaged) (Incls. Items 12 thru 21).....	1
24	00-873482	Knead/Mix Blade & Sleeve Assy. (14 In. Dia.) (Packaged) (Incls. Items 9 & 10).....	1
25	00-937408	Knead/Mix Blade & Sleeve Assy. (11.4 In. Dia.) (Packaged) (Incls. Items 9 & 11).....	1



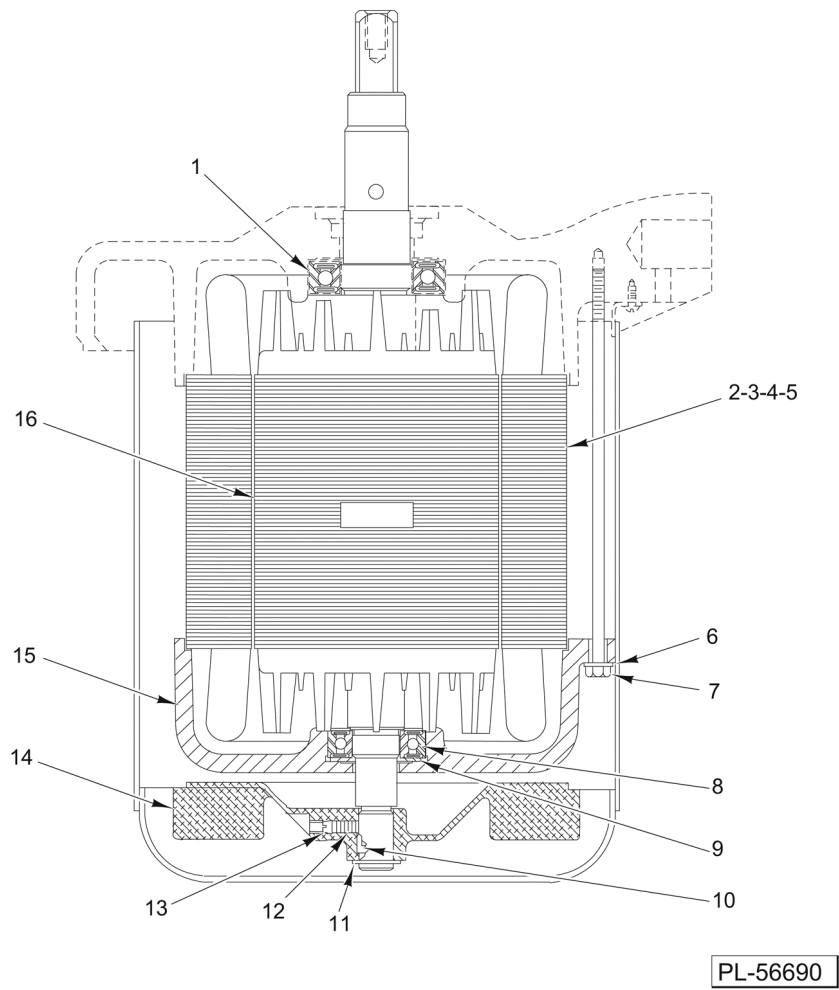
PL-56689

BRAKE AND BOWL

BRAKE AND BOWL

ILLUS.	PART NO.	NAME OF PART	AMT.
PL-56689			
1	SC-055-01	Set Screw 10-24 x 1/4 Hex Hdls., Cup Pt. (SST).....	1
2	00-291956	Knob - Retainer (Threaded).....	1
*3	00-274680	Shaft - Extension (Threaded).....	1
4	00-292811	Strainer - Basket Kit (Packaged).....	1
5	00-122245	Bowl Assy.....	1
6	00-914591	Retainer - Seal Assy.....	1
7	00-123074-00004	Seal - V-Ring.....	2
8	SC-129-63	Mach. Screw 10-24 x 1/2 Phil. Truss Hd. (SST).....	4
9	SC-129-74	Mach. Screw 10-24 x 1/2 Tx. Button Hd. (SST) (HCM450C).....	4
10	NS-031-20	Stop Nut 1/4-20 Hex.....	1
11	00-122523	Seal - Shaft.....	1
12	WL-004-06	Lockwasher 3/8 Helical.....	4
13	SC-089-35	Cap Screw 3/8-16 x 1-1/4 Socket Fil. Hd.....	4
14	00-435526	Brake Carrier Assy. (ML-134207 ML-134208, & ML-134209).....	1
15	00-914582	Brake Carrier Assy. (ML-136137 & ML-136138).....	1
16	SC-121-44	Screw - Shoulder 5/16 x 2-1/2 Hex Socket Hd.....	1
17	00-436472	Brake Shoe & Lining Assy.....	2
18	00-123095	Spring - Compression (60 Hz. Motor Only).....	4
19	00-124953	Spring - Compression (50 Hz. Motor Only).....	4
20	WS-018-30	Washer (SST) (25/64 I.D. x 1/16 Thk.).....	AR
21	WS-029-35	Washer - Shim 25/64 I.D. x 1/32 Thk (SST).....	AR
22	00-122170	Plate - Brace.....	2
23	WS-002-32	Washer.....	4
24	SC-110-31	Mach. Screw 10-24 x 3/4 Hex Hd.....	4
25	00-914583	Kit - Brake Carrier (Incls. Items 15, 16, & 17) (ML-136137 & ML-136138 ONLY).....	1
26	00-291113	Cover - Brake.....	1

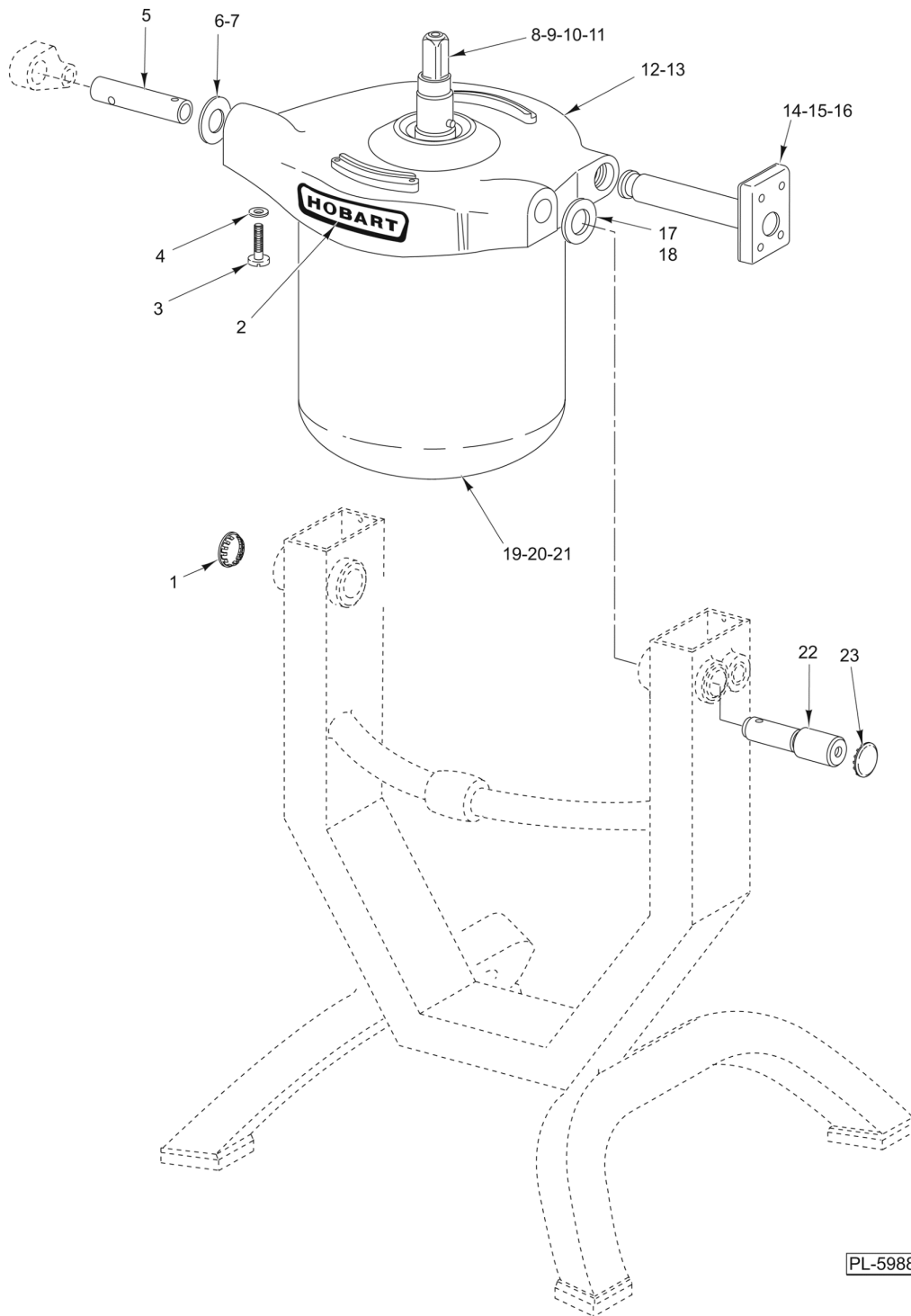
* (Shaft Extension welded to Motor Shaft on HCM450C.)



MOTOR ASSEMBLY

MOTOR ASSEMBLY

ILLUS. PL-56690	PART NO.	NAME OF PART	AMT.
1	BB-021-03	Ball Bearing #MRC207SZZ.....	1
2	00-065478-137-1	Stator Assy. (200/400/60/3) (5 Hp.) (ML-134170 & ML-134172).....	1
3	00-065478-137-2	Stator Assy. (230/460/60/3) (5 Hp.) (ML-134170 & ML-134172).....	1
4	00-065478-137-3	Stator Assy. (200/400/60/3) (5 Hp.) (ML-134207, ML-134208, ML-134209, ML-136137, & ML-136138).....	1
5	00-065478-137-4	Stator Assy. (230/460/50/60/3) (5 Hp.) (ML-134207, ML-134208, & ML-134209).....	1
6	WL-003-47	Lockwasher 5/16 Helical.....	3
7	00-122531-00001	Bolt - Special (5 Hp.).....	3
8	BB-021-02	Ball Bearing Fafnir #P205KDD.....	1
9	SL-005-01	Spring - Loading - N.D. #52 Wavy.....	2
10	00-012430-00052	Key 3/16 x 3/16 x 7/8.....	1
11	RR-011-03	Retaining Ring.....	1
12	SC-075-11	Set Screw 1/4-20 x 5/8 Hex Hdls., Kn. Cup Pt.....	1
13	SC-117-59	Set Screw 1/4-20 x 1/8 Hex Hdls., Flat Pt.....	1
14	00-275183	Fan.....	1
15	00-122392	Bracket - Bearing.....	1
16	00-015747-00298	Rotor Assy. (5 Hp.).....	1



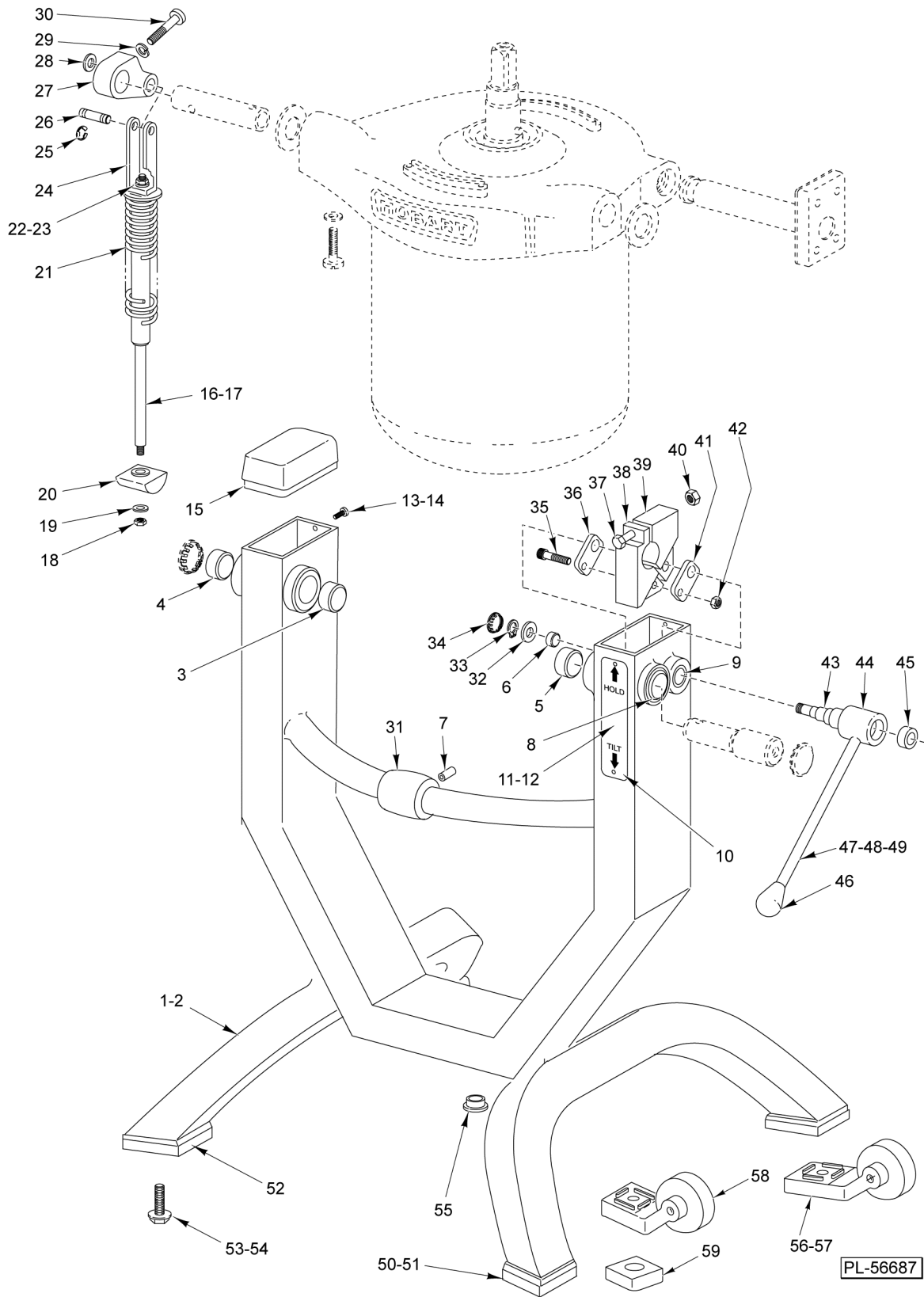
PL-59880

SUPPORT AND MOTOR ASSEMBLY

SUPPORT AND MOTOR ASSEMBLY

ILLUS.	PART NO.	NAME OF PART	AMT.
PL-59880			
1	PB-004-04	Plug Button (1-1/4).....	1
2	00-117858-00002	Logo.....	2
*3	SC-037-21	Cap Screw 1/2-13 x 1-1/2 Hex Hd.....	2
*4	WL-004-11	Lockwasher 1/2 Helical.....	2
5	00-937454	Kit - Shaft Pivot (Incls. Items 3, 4, & 22).....	1
6	00-124740-00001	Spacer - Frame.....	2
7	00-124740-00002	Spacer - Frame.....	AR
8	00-122496-00003	Motor Assy. (200/400/60/3) (5 Hp.) (ML-134170 & ML-134172).....	1
9	00-122496-00004	Motor Assy. (230/460/60/3) (5 Hp.) (ML-134170 & ML-134172).....	1
10	00-122496-00006	Motor Assy. (200/400/60/3) (5 Hp.) (ML-134207, ML-134208, ML-134209, ML-136137, & ML-136138).....	1
11	00-122496-00007	Motor Assy. (230/460/60/3) (5 Hp.) (ML-134207, ML-134208, & ML-134209).....	1
12	00-122370	Bearing Bracket & Logo Assy.....	1
13	00-121676-00001	Self-Tapping Screw #2 x 1/4 Truss Hd.....	4
14	00-122199	Tube & Plate Assy.....	1
15	WL-003-47	Lockwasher 5/16 Helical.....	4
16	SC-120-38	Cap Screw 5/16-18 x 1 Hex Hd.....	4
17	00-124740-00001	Spacer - Frame.....	1
18	00-124740-00002	Spacer - Frame.....	AR
19	00-122175-00001	Motor Cover Assy.....	1
20	SC-021-91	Mach. Screw 8-32 x 5/16 Slotted Rd. Hd. (SST).....	3
21	SC-121-92	Mach. Screw 8-32 x 3/8 Tx. Button Hd. (SST) (HCM450C).....	3
22	00-937454	Kit - Shaft Pivot (Incls. Items 3, 4, & 5).....	1
23	PB-004-05	Plug Button (1-1/2).....	1

* (Order kit 00-937454 for machines built before Serial #311448731.)



FRAME ASSEMBLY

FRAME ASSEMBLY

ILLUS.	PART NO.	NAME OF PART	AMT.
PL-56687			
1	00-875764-00001	Frame Assy. (60 Hz.) (Incls. Items 2 thru 11).....	1
2	00-875764-00002	Frame Assy. (50 Hz.) (Incls. Items 2 thru 10 & 12).....	1
3	00-108394-00041	Sleeve Bearing (1.25 In. O.D.).....	1
4	00-108394-00041	Sleeve Bearing (1.25 In. O.D.).....	1
5	00-108394-00041	Sleeve Bearing (1.25 In. O.D.).....	1
6	00-108394-00037	Sleeve Bearing (0.628 In. O.D.).....	1
7	RP-006-01	Roll Pin 3/8 Dia. x 3/4 Lg.....	1
8	00-108394-00043	Sleeve Bearing (1.502 In. O.D.).....	1
9	00-108394-00045	Sleeve Bearing (0.878 In. O.D.).....	1
10	00-121676-00001	Self-Tapping Screw #2 x 1/4 Truss Hd.....	2
11	00-123610	Label - Hold/Tilt (60 Hz.).....	1
12	00-124938	Label - Hold/Tilt (50 Hz.).....	1
13	SC-128-68	Mach. Screw 6-32 x 3/8 Tx. Button Hd. (SST) (HCM450C).....	4
14	WL-013-05	Lockwasher #6 Internal (HCM450C).....	4
15	00-122167	Cap - Tube.....	2
16	00-122178	Counter Balance Assy. (Incls. Items 17 thru 24).....	1
17	00-122183	Rod - Spring Guide.....	1
18	NS-031-20	Stop Nut 1/4-20 Hex.....	1
19	WS-003-49	Washer 0.266 x 0.563 x 0.062 (SST).....	1
20	00-122185	Pivot Pad & Bearing Assy.....	1
21	00-122184-00001	Spring - Compression.....	1
22	NS-031-20	Stop Nut 1/4-20 Hex.....	1
23	WS-003-49	Washer 0.266 x 0.563 x 0.062 (SST).....	1
24	00-122179	Yoke & Spring Guide Assy.....	1
25	RR-004-25	Retaining Ring.....	2
26	00-122189	Shaft - Yoke.....	1
27	00-122187	Crank & Bearing Assy.....	1
28	WS-024-01	Washer.....	1
29	WL-004-06	Lockwasher 3/8 Helical.....	1
30	SC-110-08	Cap Screw 3/8-16 x 1-3/4 Hex Socket Hd.....	1
31	00-122161	Bumper - Stop.....	1
32	WS-029-19	Washer.....	1
33	RR-004-05	Retaining Ring.....	1
34	PB-004-02	Plug Button (15/16).....	1
35	00-122269	Screw - Socket Shoulder.....	1
36	00-122298	Back Link & Bushing Assy.....	1
37	SC-036-66	Cap Screw 3/8-16 x 3 Hex Hd.....	1
38	00-122297	Clamp Assy. (Left).....	1
39	00-123560	Clamp Assy. (Right).....	1
40	NS-032-18	Stop Nut 3/8-16 Flexloc.....	1
41	00-122299	Front Link & Bushing Assy.....	1
42	NS-013-14	Nut 5/16-18 Hex.....	1
43	00-122195	Shaft - Lock.....	1
44	00-122196	Collar - Shaft.....	1
45	00-123812	Magnet - Ring.....	1
46	00-123173	Knob.....	1
47	00-122197	Handle - Lock.....	1
48	00-122198	Tilt Lock Handle Assy. (Incls. Items 43 thru 47).....	1
49	00-477100	Tilt Handle Weldment (HCM450C).....	1
50	00-124361	Feet Set (Incls. Items 51 thru 54).....	1
51	00-122164	Foot (#1).....	2
52	00-122165	Foot (#2).....	2
53	WS-021-09	Washer.....	4
54	SC-117-97	Cap Screw 1/2-13 x 1 Hex Hd.....	4
55	00-123772	Plug - Vent.....	1
56	00-123659	Caster Set (Incls. Items 57, 58, & 59).....	1
57	00-123658-00002	Caster Assy. (Right).....	1
58	00-123658-00001	Caster Assy. (Left).....	1
59	00-123813	Pad - Caster.....	2

