



Project _____
 AIA # _____ SIS # _____
 Item # _____ Quantity _____ C.S.I. Section 114000



Glass Door Compact Undercounter Refrigerator/Self-Contained UHG27



STANDARD PRODUCT FEATURES

- Stainless Steel Exterior Top, Sides, Glass Doors
- Anodized Aluminum Interior
- Front Breathing Self-Contained Refrigeration System
- Environmentally Friendly, Non-Flammable R-450A Refrigerant
- Self-Closing Doors with Stay-Open feature at 105 degrees
- Electronic Control
- Standard Interior Light with Exterior Switch
- Two (2) Powder Coated Shelves Per Door, Mounted on Pilasters
- Automatic Non-Electric Condensate Evaporator
- Magnetic Snap-In EZ-Clean Door Gasket(s)
- 8' (2.4 m) NEMA Cord & Plug Attached
- Set of Four (4) 4" High Casters
- 3-Year Parts & Labor Warranty
- 2-Years Additional Compressor Parts Warranty

ACCESSORIES & OPTIONS (*field installed)

- CK20 (four 6" (15.2 cm) high casters for 27" models)
- CK24 (four 3-1/2" (8.9 cm) high casters for 27" models)
- CK26 (four 2-3/4" (6.9 cm) high casters for 27" models)
- CK28 (four 2-1/2" (6.4 cm) high casters for 27" models)
- CUACC-LEGSET4 (four 6" (15.24 cm) high legs for 27" models)
- Shelf CPW1 (additional shelf for 27" models)
- Optional accessory kits shipped separately for field installation

DEALERS CHOICE GLASS DOOR COMPACT UNDERCOUNTERS



This unit is listed to the applicable UL, CSA and NSF Standards by an approved NRTL. Consult the factory or unit's data plate for approval information.

AVAILABLE CONFIGURATIONS

27" Glass Door Models

Door Models

UHG27L0-0420
 UHG27R0-0420

Hinging

Left
 Right

FACTORY INSTALLED OPTIONS

- Stainless Steel Finished Back * Other Door Hinging

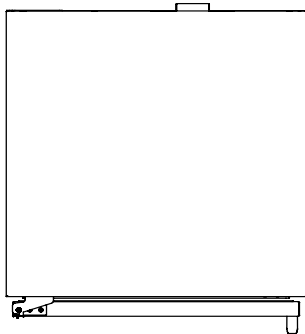
Approved by _____ Date _____ Approved by _____ Date _____



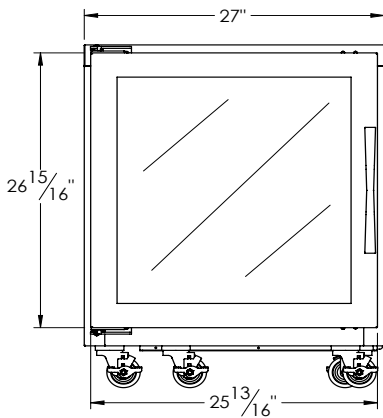
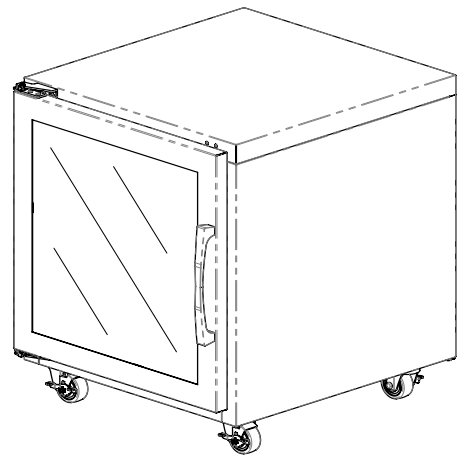
MODELS

UHG27-L
UHG27-R

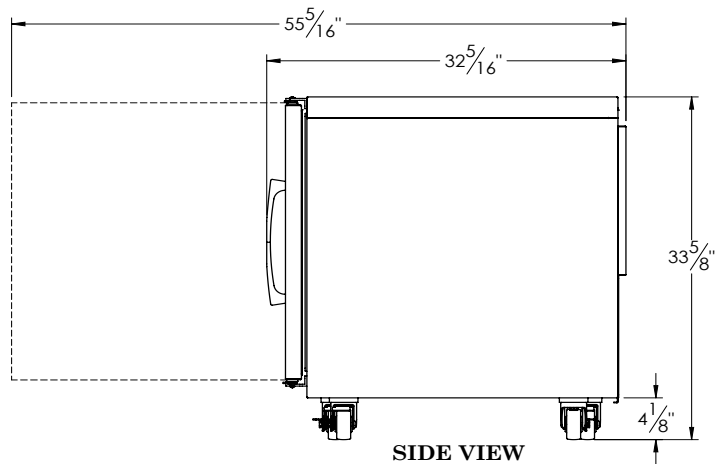
CLICK
TRANSFER
For KCL CADalog Website



TOP VIEW



ELEVATION



SIDE VIEW



Project _____
 AIA # _____ SIS # _____
 Item # _____ Quantity _____ C.S.I. Section 114000



Glass Door Compact Undercounter Refrigerator/Self-Contained

EQUIPMENT SPECIFICATIONS

MODELS	UHG27-__
CABINET DIMENSIONAL DATA	
Storage cu. ft. (l)	7.35 (208)
Width cabinet in. (cm)	27" (68)
Width - door in. (cm)	25 7/8" (63)
Depth - door open 90° in.	55 3/8" (139)
Clear door opening in. (cm)	22 3/4" (56)
# of doors	1
# of shelves	2
Total Shelf Area sq. ft. (m)	4.88 (.45)
ELECTRICAL DATA & REFRIGERATION DATA 115/60/1 NEMA 5-15P	
Full Load Amps	7.5
MDEC ¹ (KWH)	1.52
Refrigerant	R-450A
Refrigerant Amount oz.	7
BTU/HR ² H.P.	1435 (1/4)
SHIPPING DATA	
Width-Crated in. (cm)	45" (114.3)
Volume-Crated cu. ft. (l)	45 (1274)
Weight lbs. (kg) - Crated	250 (113)

CONSTRUCTION, HARDWARE, INSULATION

Cabinet exterior front and one piece sides are constructed of 22 gauge stainless steel. Cabinet interior and door liners are constructed of anodized aluminum. The exterior cabinet back and bottom are constructed of galvanized steel.

Door self-closes at less than 90 degrees and also includes a stay open feature at 105 degrees. Gasket profile and material simplify cleaning and increase overall gasket life. Both the cabinet and door(s) are insulated with an average of 2" (5 cm) thick high density, non-CFC, foamed in place polyurethane.

REFRIGERATION SYSTEM

A balanced, rear mounted, front breathing, self-contained refrigeration system using environmentally friendly, non-flammable R-450A refrigerant is provided. It features a capillary tube, air cooled 1435 BTU, 1/4 hp, hermetic compressor, a forced air evaporator coil and a non-electric condensate evaporator. An 8' (2.4m) NEMA cord and plug is provided. Standard operating temperature for refrigerator models is 34° to 38°F (1.1° to 3.3°C).

CONTROLLER

An electronic digital control is supplied standard. It includes a 3-Digit LED display, and a Fahrenheit or Celsius temperature scale display capability.

INTERIOR

Standard interior arrangements include two (2) powder coated wire shelves per door, mounted on pilasters. These are adjustable in 1/2" (1.27 cm) increments, allowing for a minimum of 1-1/2" (3.81 cm) spacing between shelves. Standard interior light with exterior mounted switch.

WARRANTY

Both a three year parts and labor warranty and a five year compressor parts warranty (self-contained models) are provided standard.

NOTES:

- MDEC = Maximum Daily Energy Consumption
 - Compressor BTU based on a 90°F (32°C) ambient and 20°F (-6° C) evaporator.
- When ordering please specify: voltage, hinging and optional accessories.

DEALERS CHOICE GLASS DOOR COMPACT UNDERCOUNTERS

CONTINUED PRODUCT DEVELOPMENT MAY NECESSITATE SPECIFICATION CHANGES WITHOUT NOTICE.

Approved by _____ Date _____ Approved by _____ Date _____