



CATALOG OF REPLACEMENT PARTS



PROOFING CABINET BASE

11/29/2001 THRU 1/25/2010

ML-132184 PC800

01/26/2010 THRU 04/02/2023

ML-132185 MB300

STARTING 04/03/2023

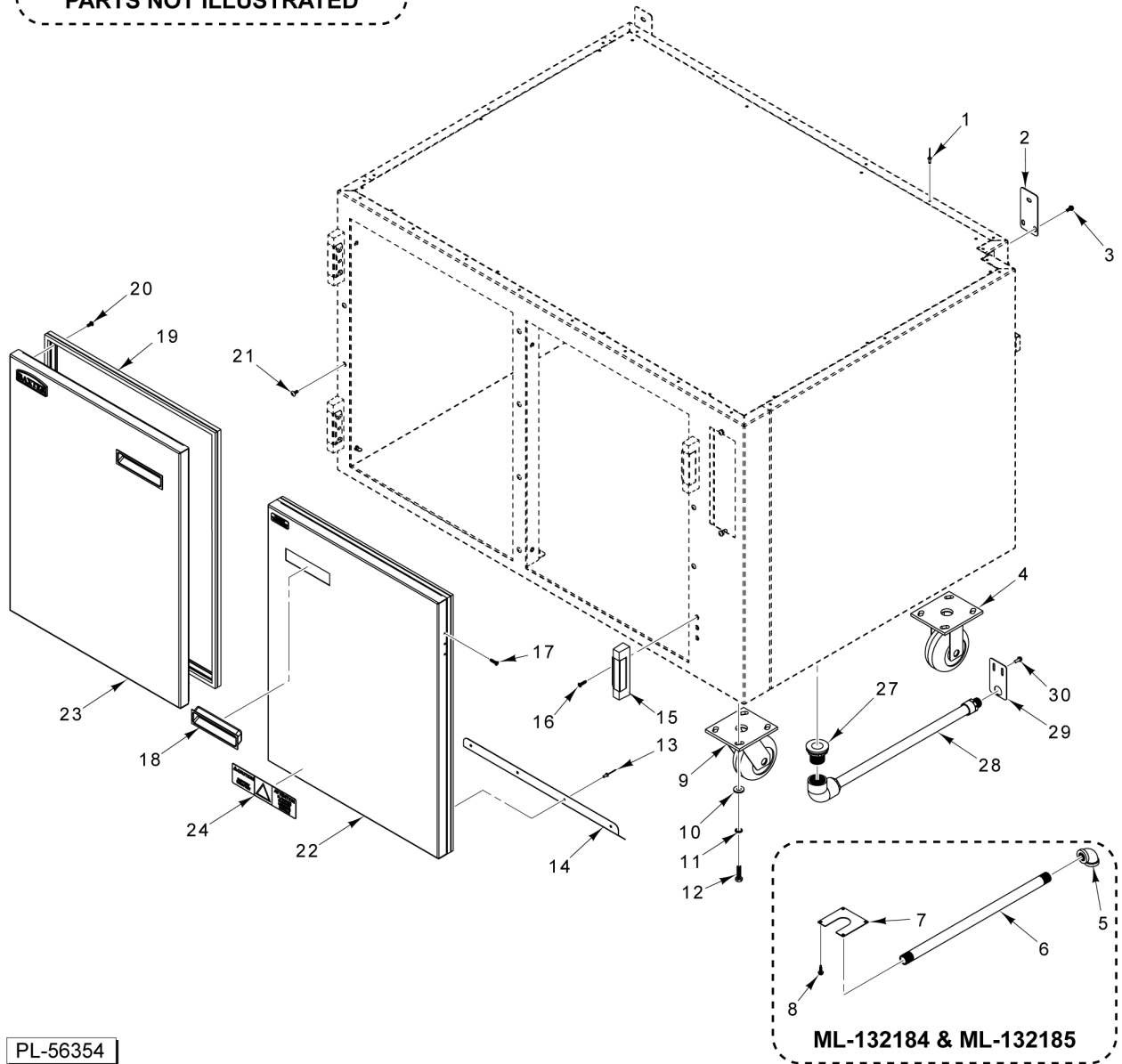
ML-132591 MB300

Table of Contents

5 EXTERIOR COMPONENTS
7 CABINET COMPONENTS
9 CONTROL PANEL ASSEMBLY (PC800) (BEFORE 01/23/07)
11 CONTROL PANEL ASSEMBLY (STARTING 01/23/07)
13 FAN ASSEMBLY (BEFORE 10/1/21)
15 FAN ASSEMBLY (STARTING 10/1/21)
17 HEATER PLATE ASSEMBLY
19 STEAM SYSTEM COMPONENTS

- 25 Kit - Shim Caster
- 26 Kit - Shim Caster (W/O Hardware)

PARTS NOT ILLUSTRATED

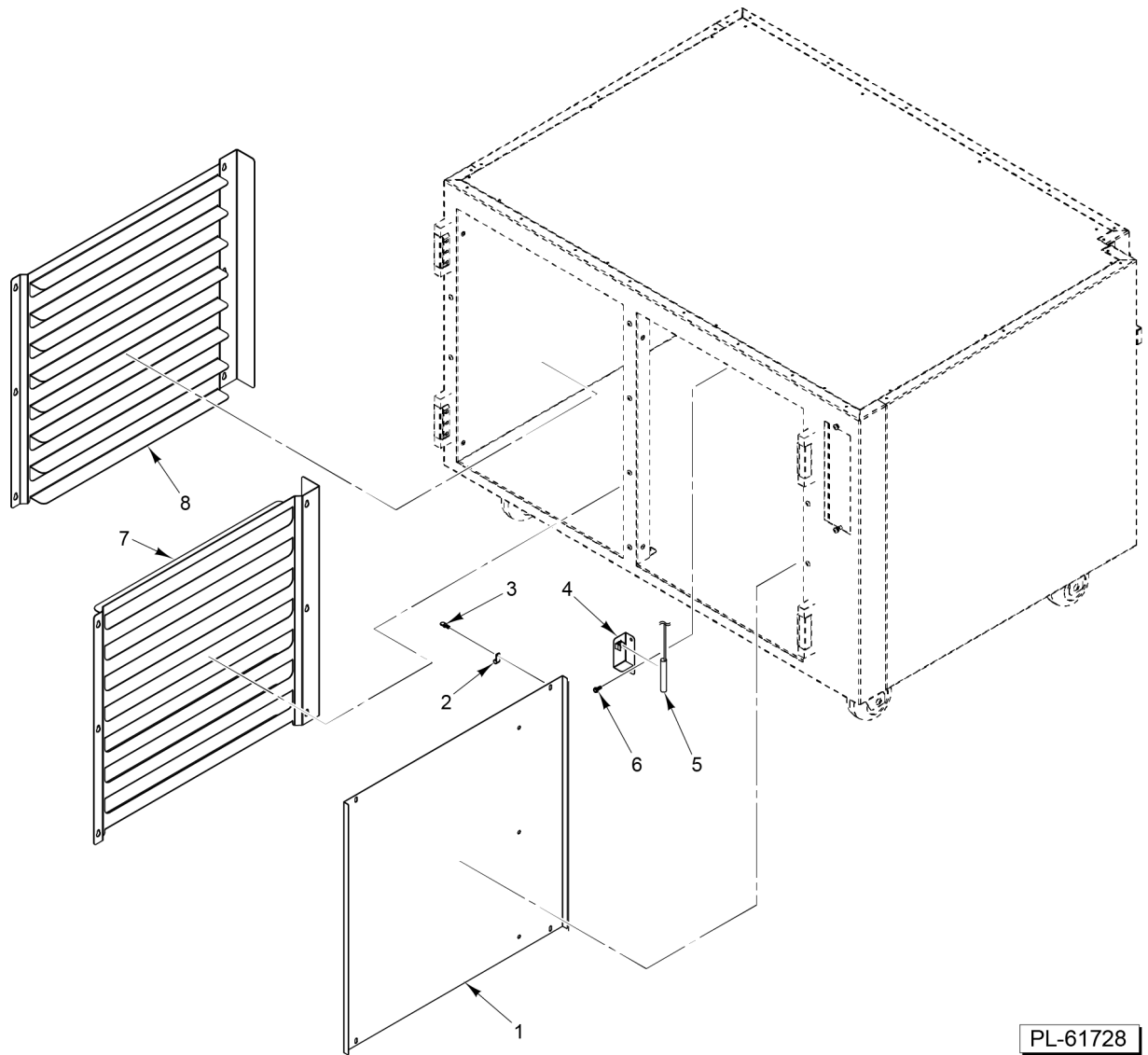


PL-56354

EXTERIOR COMPONENTS

EXTERIOR COMPONENTS

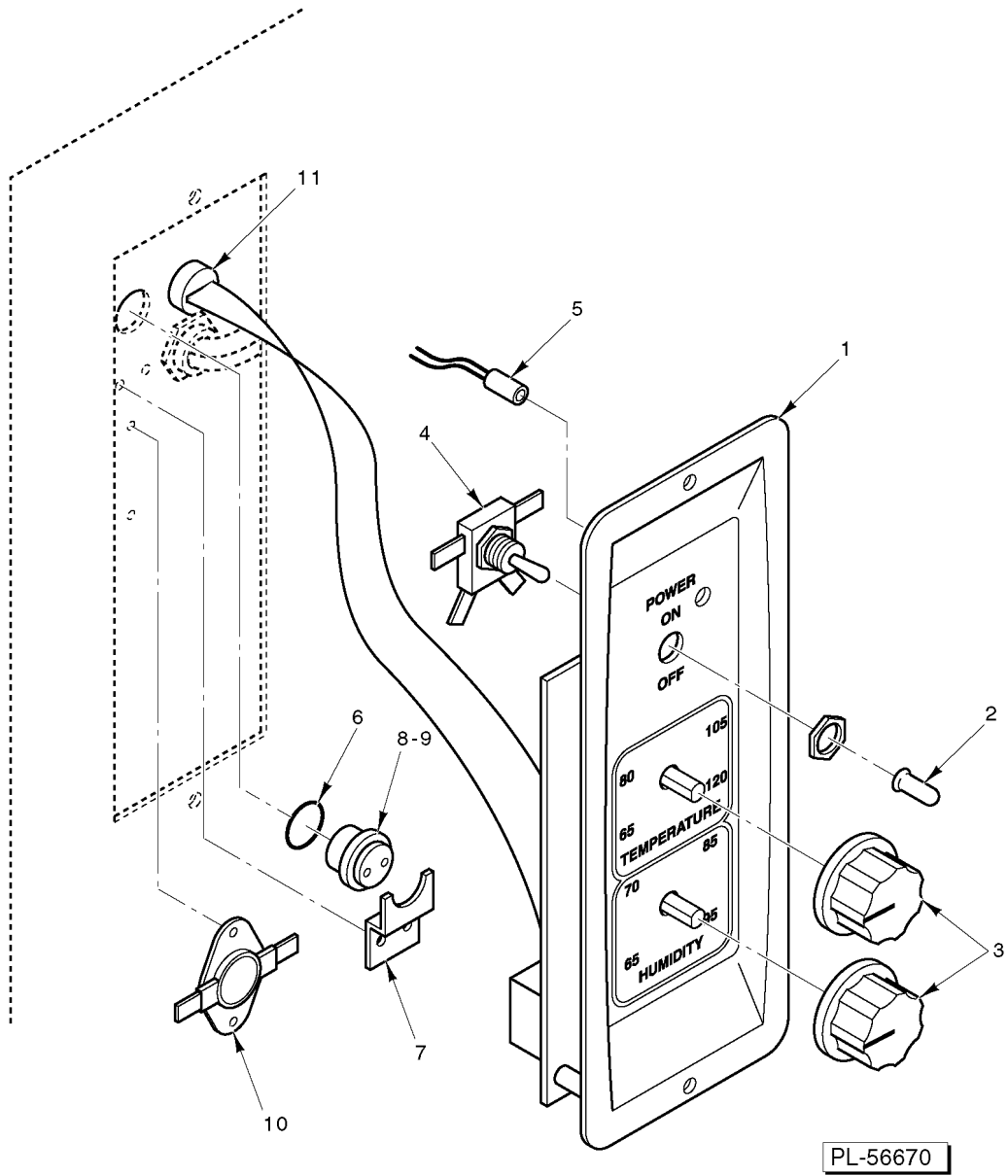
ILLUS.	PART NO.	NAME OF PART	AMT.
PL-56354A			
1	01-100V12-00008	Rivet (.160 - .164) (SST).....	AR
2	01-1M3475-00002	Retainer.....	2
3	01-1000V4-00386	Screw Hex Hd. 10-32 x 1/2 In. (SST) Hex Hd. W/ Lock Washer 10-32 x 1/2 (SST)	4
4	01-100V14-00047	Caster - Rigid Plate (With Brake).....	2
5	01-100V17-00347	Elbow 1/2 In. x 90 Deg. (SST) (SST) (ML-132184 & ML-132185).....	1
6	01-1P1572-00101	Pipe 1/2 x 17 In. (SST) (ML-132184 & ML-132185).....	1
7	01-1P1556-00001	Plate - Cover (ML-132184 & ML-132185).....	2
8	01-1000V4-00426	Screw #10-16 x 3/4 Hex Hd. (Drill Tip) (SST) (ML-132184 & ML-132185).....	AR
9	01-100V14-00046	Caster - Swivel Plate.....	2
10	01-1000V4-00644	Washer - Flat 5/16.....	AR
11	01-1000V4-00643	Washer - Lock 5/16.....	AR
12	01-1000V4-00648	Bolt 5/16-18 x 1-1/4 Hex Hd.....	AR
13	01-100V12-00008	Rivet (.160 - .164) (SST).....	4
14	01-1P1652-00001	Deflector - Moisture.....	1
15	01-100V18-00118	Hinge - Oven Door.....	4
16	01-1000V4-00569	Screw 10-32 x 3/4 Flat Hd. (SST).....	AR
17	01-1000V4-00569	Screw 10-32 x 3/4 Flat Hd. (SST).....	6
18	01-100V18-00110	Pull - Handle Pocket (Black, Plastic).....	1
19	01-100V16-0271D	Gasket - Door (Four Sided).....	1
20	01-1000V4-00583	Screw 10-32 x 1/2 Pan Hd. (SST).....	AR
21	01-1000V4-00412	Mach. Screw 10-32 x 1/2 Phil. Truss Hd. (SST).....	8
22	01-1P1814-00002	Door Assy. (RH) (Incls. Items 13, 14, & 18 thru 20).....	1
23	01-1P1814-00001	Door Assy. (LH) (Incls. Items 13, 14, & 18 thru 20).....	1
24	01-100V16-0290F	Label (Slippery When Wet).....	1
25	01-1A2309-00001	Kit - Shim Caster.....	AR
26	01-1A2309-00002	Kit - Shim Caster (W/O Hardware).....	AR
27	01-100V17-00843	Fitting (ML-132591).....	1
28	01-1P1572-00002	Pipe Assy. (ML-132591).....	1
29	01-1P3042-00101	Bracket (ML-132591).....	1
30	01-1000V4-00401	Screw 10-16 x 1/2 Hex Washer Hd.....	2



CABINET COMPONENTS

CABINET COMPONENTS

ILLUS.	PART NO.	NAME OF PART	AMT.
PL-61728			
1	01-1P1574-00001	Pressure Panel.....	1
2	01-100V15-00075	Clamp - Cable.....	3
3	01-1000V4-00138	Screw - Thumb 10-32 x 1/2 In. (SST).....	AR
4	01-1P1905-00003	Bracket - Sensor Assy.....	1
5	01-1P1875-00002	Sensor Assy. - Humidity W/Filter.....	1
6	01-1000V4-00386	Screw Hex Hd. 10-32 x 1/2 In. (SST) Hex Hd. W/ Lock Washer 10-32 x 1/2 In. (SST)	2
7	01-1P1571-00002	Rack - Side (RH).....	2
8	01-1P1571-00001	Rack - Side (LH).....	2



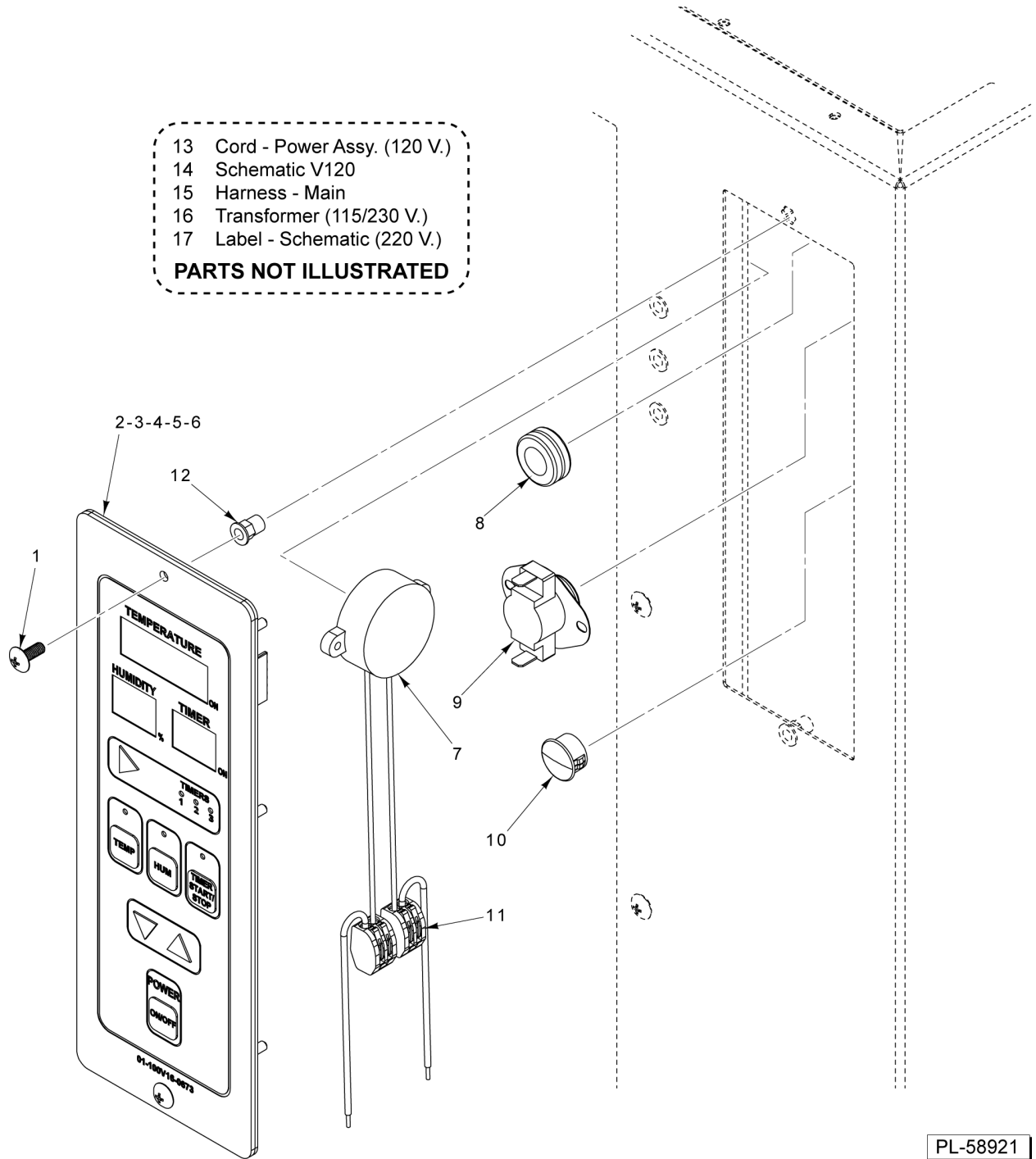
**CONTROL PANEL ASSEMBLY
(PC800)
(BEFORE 01/23/07)**

**CONTROL PANEL ASSEMBLY
(PC800)
(BEFORE 01/23/07)**

ILLUS. PL-56670A	PART NO.	NAME OF PART	AMT.
1	01-1P1541-00001	Control Panel Assy. (Incls. Items 2 thru 5).....	1
2	01-1000V4-00019	Boot - Toggle Switch.....	1
3	01-100V10-00040	Knob (1/4 Shaft).....	2
4	01-1000V6-00151	Switch - Toggle (On/Off).....	1
5	01-1000V7-00022	Light - Indicator (RFD) (On/Off).....	1
6	01-1000V1-00022	O-Ring.....	1
7	01-10P551-00001	Bracket - Humidity Base.....	1
8	01-100V10-00056	Base - Humidity.....	1
9	01-1P1483-00001	Sensor - Humidity.....	1
10	01-1000V6-00205	Switch - Hi-Limit Temperature.....	1
11	01-1P1540-00001	Sensor - Temperature.....	1

- 13 Cord - Power Assy. (120 V.)
- 14 Schematic V120
- 15 Harness - Main
- 16 Transformer (115/230 V.)
- 17 Label - Schematic (220 V.)

PARTS NOT ILLUSTRATED



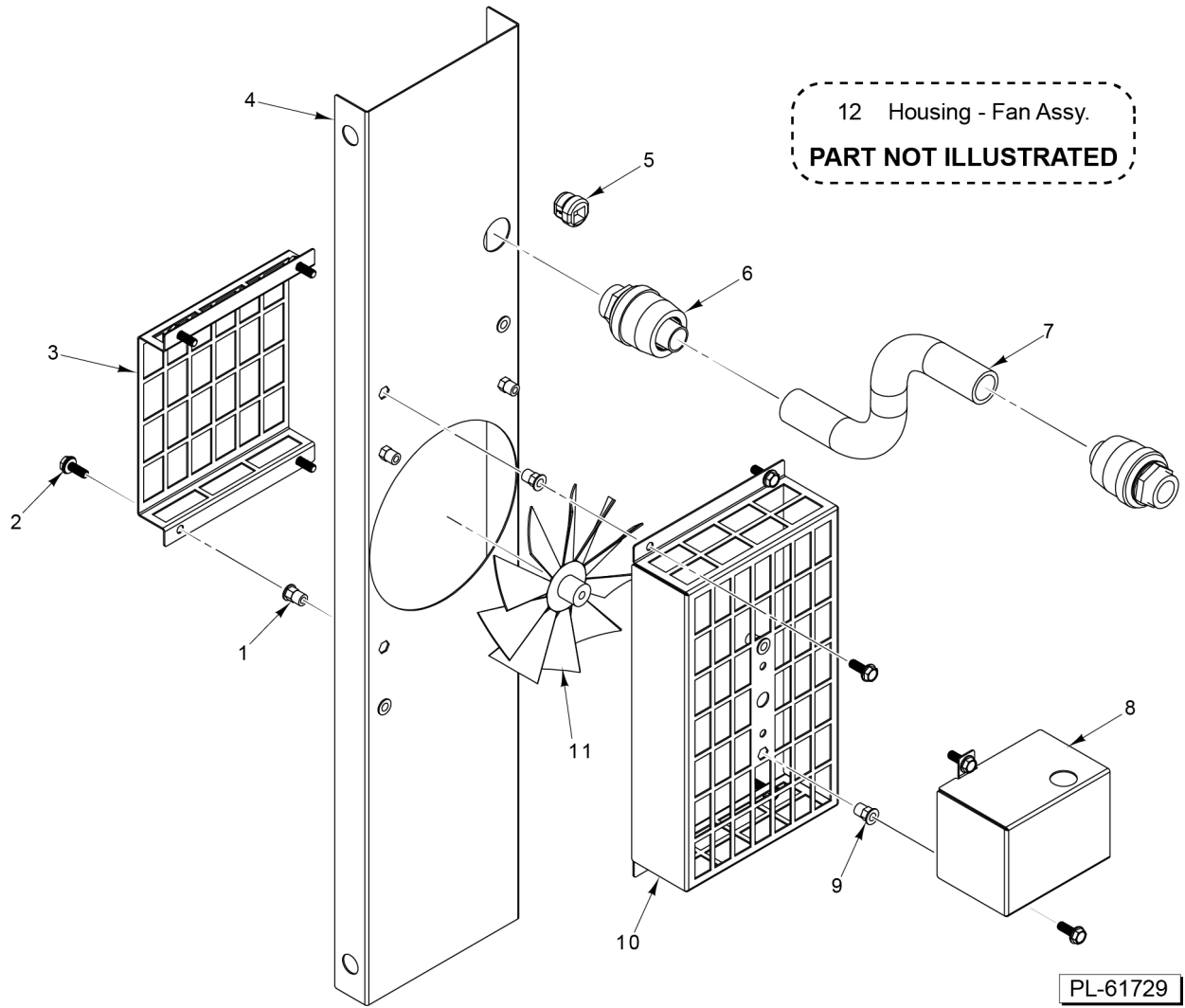
PL-58921

**CONTROL PANEL ASSEMBLY
(STARTING 01/23/07)**

**CONTROL PANEL ASSEMBLY
(STARTING 01/23/07)**

ILLUS. PL-58921	PART NO.	NAME OF PART	AMT.
1	01-1000V4-00412	Mach. Screw 10-32 x 1/2 Phil. Truss Hd. (SST).....	2
2	01-1000V5-00164	Spacer 3/8 x 5/16 Lg. (Nylon).....	6
3	01-100V16-00672	Board - PCB.....	1
4	01-100V16-00673	Overlay - Membrane.....	1
5	01-1P2444-00001	Panel - Control (Incls. Items 2, 3, & 4).....	1
6	01-100V10-00375	Fuse - Fast (1 Amp., 250 V.).....	1
7	01-1P2445-00001	Buzzer.....	1
8	01-100V15-00038	Grommet.....	1
9	01-1000V6-00205	Switch - Hi-Limit Temperature.....	1
10	01-100V15-00085	Plug (Before Feb 2022).....	AR
11	01-1000V5-00362	Block - Terminal.....	1
12	01-1000V4-00121	Insert - Threaded 10-32 Hex.....	2
13	01-1P2449-00001	Cord - Power Assy. (120 V.).....	1
14	01-100V16-00902	Schematic V120.....	1
15	01-1P1778-00001	Harness - Main.....	1
16	01-100V10-00194	Transformer (115/230 V.) (Export).....	1
*17	01-100V16-0424D	Label - Schematic (220 V.).....	1

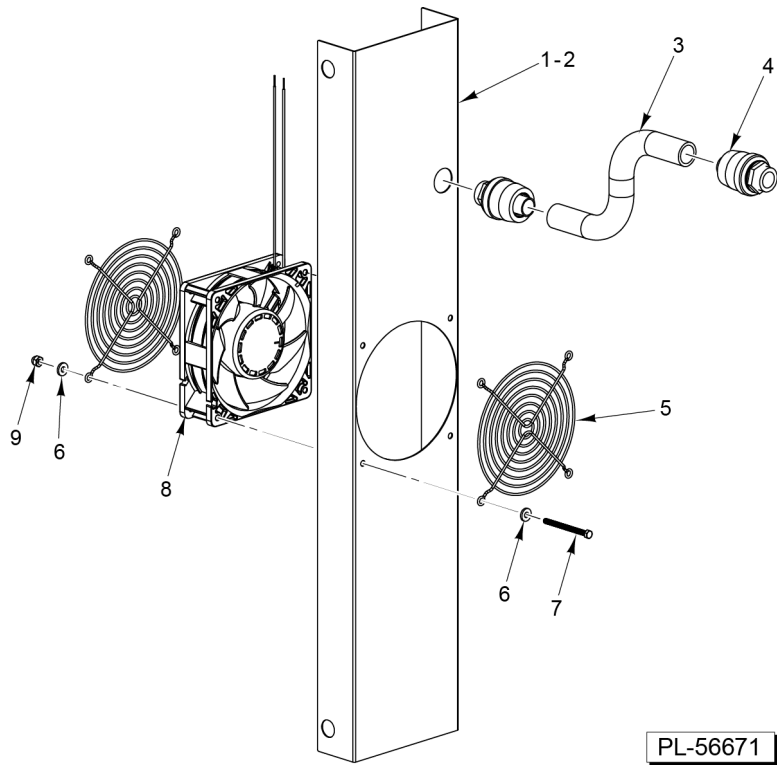
* Not Used on UL Approved Units



**FAN ASSEMBLY
(BEFORE 10/1/21)**

**FAN ASSEMBLY
(BEFORE 10/1/21)**

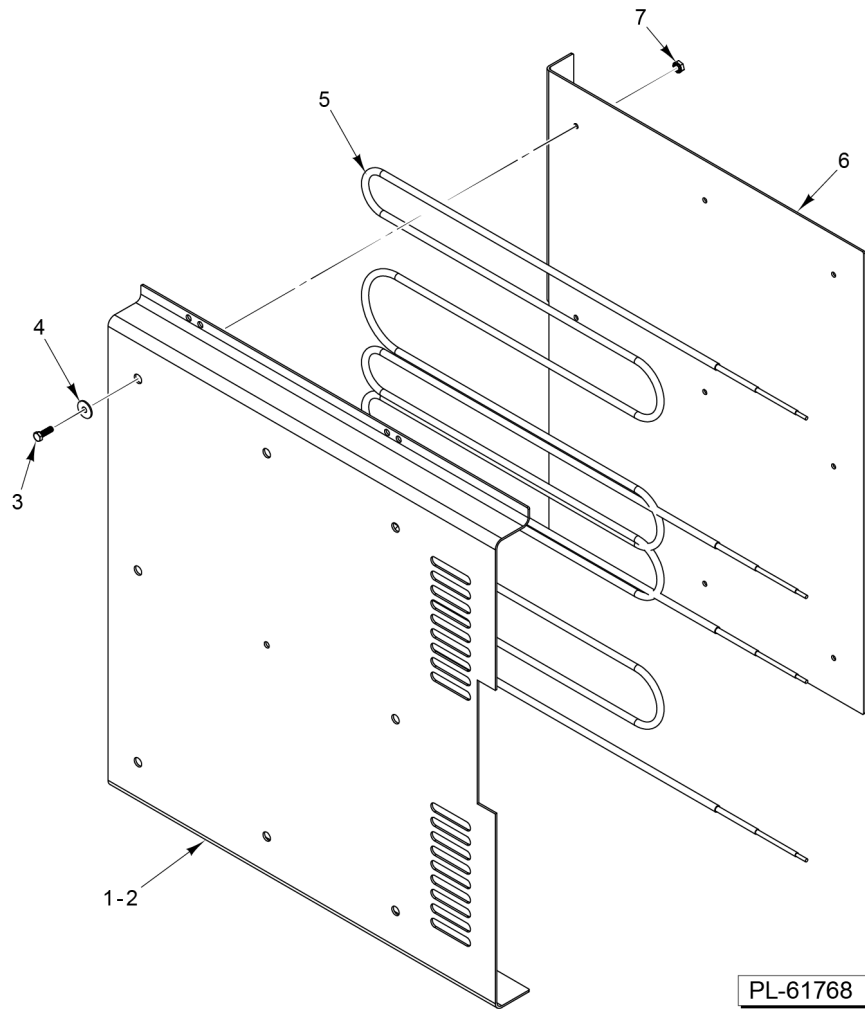
ILLUS. PL-61729	PART NO.	NAME OF PART	AMT.
1	01-1000V4-00269	Insert - Threaded 10-32 (SST).....	8
2	01-1000V4-00386	Screw Hex Hd. 10-32 x 1/2 In. (SST).....	AR
3	01-1P1646-00001	Fan Guard.....	1
4	01-1P1566-00001	Housing - Fan.....	1
5	01-1000V5-00002	Bushing - Strain Relief.....	1
6	01-100V11-00150	Connector.....	2
7	01-1P1582-00101	Tubing 1/2 In.....	1
8	01-1P1648-00001	Fan - Motor Enclosure (NLA).....	1
9	01-1000V4-00269	Insert - Threaded 10-32 (SST).....	2
10	01-1P1647-00001	Motor Mount - Fan (Incls. Item 9).....	1
11	01-1000V8-0079B	Blower Wheel (Fan).....	1
12	01-1P2986-00001	Housing - Fan Assy. (Kit Replaces Items 1 thru 11).....	1



**FAN ASSEMBLY
(STARTING 10/1/21)**

**FAN ASSEMBLY
(STARTING 10/1/21)**

ILLUS.	PART NO.	NAME OF PART	AMT.
PL-56671A			
1	01-1P2986-00001	Housing - Fan Assy. (Incls. Items 2 thru 9).....	1
2	01-1P1566-00002	Housing - Fan.....	1
3	01-1P1582-00101	Tubing 1/2 In.....	1
4	01-100V11-00150	Connector.....	2
5	01-1000V8-00186	Guard - Fan.....	2
6	01-1000V4-00419	Washer - Flat # 8 (SST).....	8
7	01-1000V4-00660	Mach. Screw 8-32 x 2 In. (SST).....	4
8	01-1P2987-00001	Fan Assy.....	1
9	01-1000V4-00519	Nut 8-32, Acorn (SST).....	4

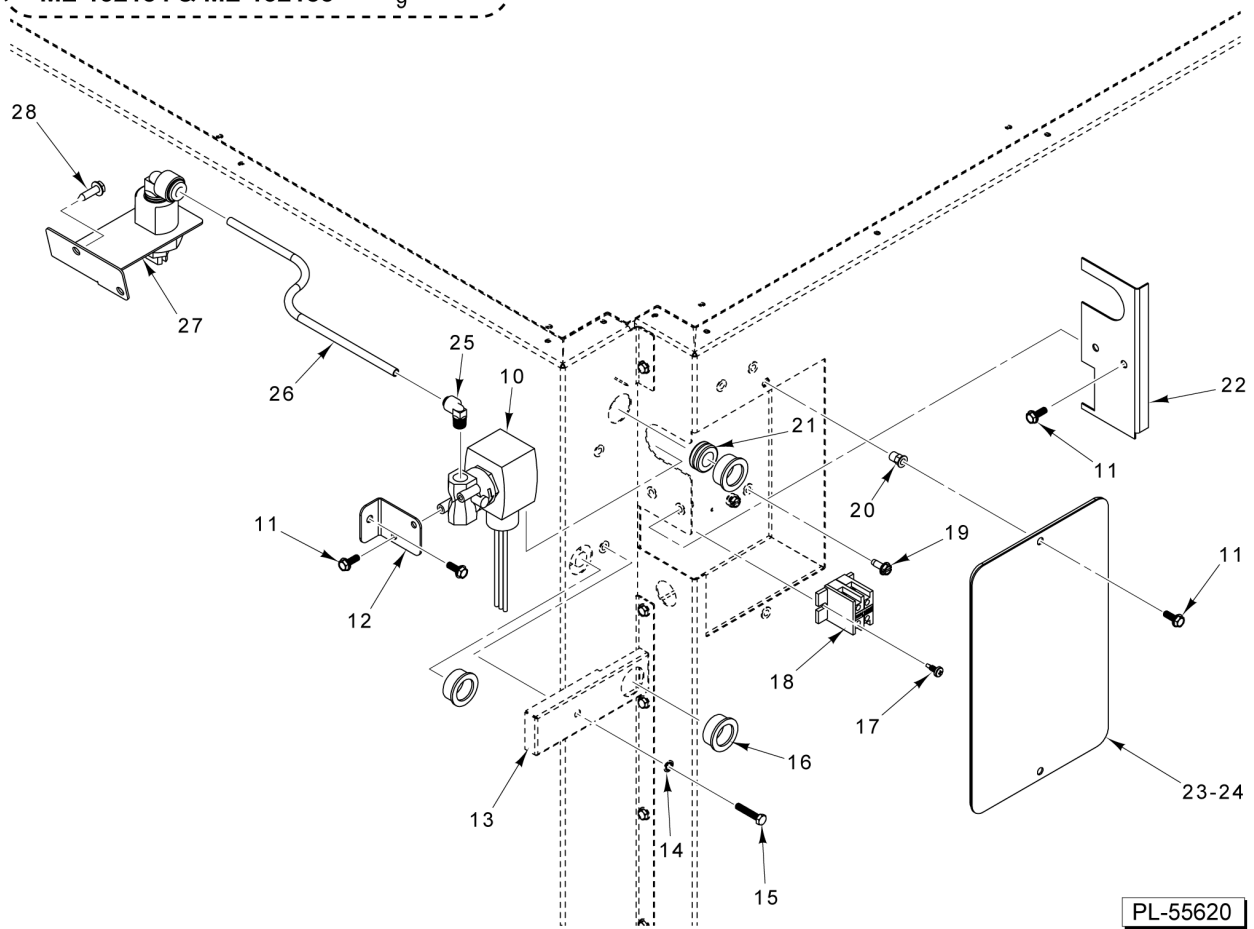
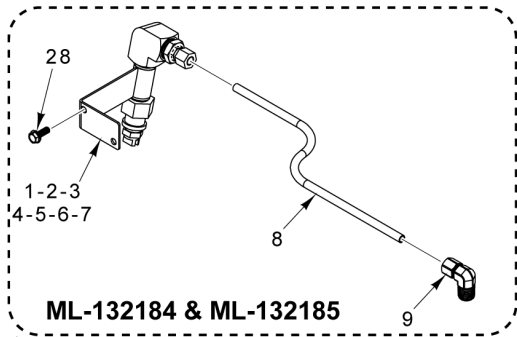


PL-61768

HEATER PLATE ASSEMBLY

HEATER PLATE ASSEMBLY

ILLUS.	PART NO.	NAME OF PART	AMT.
PL-61768			
1	01-1P1581-00001	Heat Plate Assy. (Incls. Items 2 thru 7).....	1
2	01-1P1708-00002	Plate - Heater Element (Outer).....	1
3	01-1000V4-00618	Mach. Screw 10-32 x 5/8 (SST).....	9
4	01-1000V4-00434	Washer - Flat #10 (SST).....	9
5	01-100V10-00170	Element - Heater (120 V., 810 W.).....	2
6	01-1P1708-00001	Plate - Heater Element (Inner).....	1
7	01-1000V4-00336	Nut #10-32 W/ Lockwasher (SST).....	9



PL-55620

STEAM SYSTEM COMPONENTS

STEAM SYSTEM COMPONENTS

ILLUS. PL-56620A	PART NO.	NAME OF PART	AMT.
*1	01-1P1363-00002	Spray Nozzle - Air Duct (Incls. Items 2 thru 7) (ML-132184 & ML-132185).....	1
*2	01-1P1362-00001	Bracket - Spray Nozzle Mount (ML-132184 & ML-132185).....	1
3	01-100V17-00280	Fitting - Compression (1/8 NPT) (ML-132184 & ML-132185).....	1
4	01-100V17-00444	Bushing (ML-132184 & ML-132185).....	1
5	01-100V17-00258	Ell 3/8 In. NPT (Brass) (ML-132184 & ML-132185).....	1
6	01-100V17-00281	Coupler - Reducer 3/8 to 1/4 (ML-132184 & ML-132185).....	1
7	01-100V17-00378	Nozzle - Spray Built-In Filter (ML-132184 & ML-132185).....	1
8	01-1P2976-00001	Tubing (ML-132184 & ML-132185).....	1
9	01-100V17-00073	Elbow 1/4 x 90 Deg. (ML-132184 & ML-132185).....	1
10	01-100V17-00075	Valve - Solenoid 1/4 NPT (2-Way) (120 V.).....	1
11	01-1000V4-00386	Screw Hex Hd. 10-32 x 1/2 In. (SST) Hex Hd. W/ Lock Washer 10-32 x 1/2 In.....	AR
12	01-1P1787-00002	Bracket - Solenoid.....	1
13	01-1P1782-00001	Box - Cover.....	1
14	01-1000V4-00530	Lockwasher #10 (SST).....	1
15	01-1000V4-00553	Mach. Screw 10-32 x 1 In. (SST).....	1
16	01-1000V5-00035	Bushing - Snap (1 In.).....	3
17	01-1000V4-00425	Screw Pan Hd. 8-18 x 1/2 (SST).....	2
18	01-1P1575-00001	Terminal Block.....	1
19	01-1000V4-00158	Screw Hex Hd. W/ Washer #10 x 3/8 In. (Green).....	2
20	01-1000V4-00269	Insert - Threaded 10-32 (SST).....	AR
21	01-100V15-00038	Grommet.....	1
22	01-1P1783-00001	Angle - Cover.....	1
23	01-1P1784-00001	Plate - Cover (Before 10/1/21).....	1
24	01-1P1784-00002	Plate - Cover (Starting 10/1/21).....	1
25	01-100V17-00842	Elbow - Push to Connect 1/4 MNPT to 1/4 In. Tubing (ML-132591).....	1
26	01-1P2976-00002	Tubing (ML-132591).....	1
27	01-1P3043-00001	Kit - Sprayer Assy. (ML-132591).....	1
28	01-1000V4-00386	Screw Hex Hd. 10-32 x 1/2 In. (SST).....	2

* No Longer Available, Replaced by 01-1P3043-00001

