



Project _____
 AIA # _____ SIS # _____
 Item # _____ Quantity _____ C.S.I. Section 114000



LT1 Low-Temp Chemical Dishwasher



STANDARD FEATURES

- + All stainless steel construction including tank, chamber, doors, and frames
- + 37 racks per hour
- + 1.9 gallons per rack
- + 120°F minimum water temperature, 140°F recommended
- + Field adjustable from straight to corner operation
- + Door cycle switch controls machine operation
- + Initial fill manual; auto fill after first cycle
- + All doors raise and close together and are guided for ease of operation
- + Solenoid operated positive seating drain valve, open and closed; no water waste
- + Top mounted detergent, sanitizer, and rinse additive pumps
- + High pressure, all stainless steel wash/rinse arms
- + 120/60/1 electrical specification
- + 1 HP, 3400 RPM pump motor, 45 GPM
- + Self-flushing stainless steel pump strainer; large scrap accumulator
- + Delimiting cycle

OPTIONS & ACCESSORIES (Available at extra cost)

- Peg rack
- Combination rack
- Stainless steel front panel
- 3/4" pressure regulator valve
- Water softener

SPECIFIER STATEMENT

Specified unit will be Hobart LT-1 fill and dump hood-type dishwashing machine. Features include field adjustable straight thru/corner type, detergent-sanitizer-rinse agent pump, delimiting cycle, stainless steel construction, inter-changeable stainless steel wash and rinse arms, 37 racks per hour – chemical sanitizing, 1.9 U.S. gallons per rack.

1 year parts and labor warranty.

LT1 LOW-TEMP CHEMICAL DISHWASHER

Approved by _____ Date _____ Approved by _____ Date _____

LEGEND

Electrical Connections	
E1	Electrical connection: 1/2" conduit hole, 66-7/16" AFF.
Plumbing Connections	
P1	Common water connection: 120°F water minimum, 140°F recommended; 3/4" FPT, 62-9/16" AFF.
P2	Drain: 2" FPT, 12-1/2" AFF.

WARNING: Electrical and grounding connections must comply with the applicable portions of the National Electrical Code and/or other local electrical codes.

Plumbing connections must comply with applicable sanitary, safety and plumbing codes. Drain and fill line configurations vary, some methods are shown on this drawing.

Electrical Connection Motors and Electric Tank Heat			
Voltage	Rated Amps	Minimum Supply Circuit Ampacity	Maximum Protective Device
120/60/1	14.0	20	20

Dishmachine not provided with internal GFCI protection.

SPECIFICATIONS

Capacities

Racks per Hour (maximum)	37
Dishes per Hour (average 25 per rack)	666
Glasses per Hour (average 45 per rack)	1,332
Wash Tank (U.S. Gallons)	1.9

Motor Horsepower

Wash	1.0
------	-----

Water Consumption

Wash Pump (gallons per minute – Weir Test)	.45
--------------------------------------------	-----

Rinse

Seconds of Rinse per Rack	20
Rate of Rinse Flow (gallons per minute at 20 lbs. flow pressure)	70.3

Exhaust Requirement 450

Overall Dimensions (inches)

Height x Width x Depth	69" x 28 5/8" x 28"
------------------------	---------------------

Shipping Weight (approximate) 304 lbs.

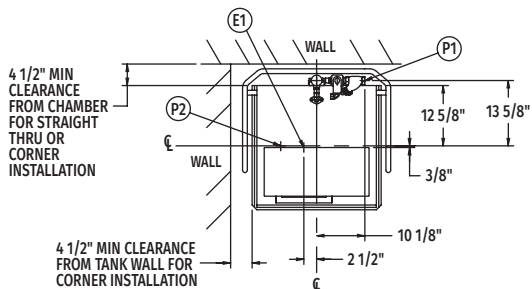
Plumbing Notes: Water hammer arrestor (meeting ASE-1010 standard or equivalent) to be supplied (by others) in common water supply line at service connection.

Recommended water hardness to be 3 grains or less per gallon for best results.

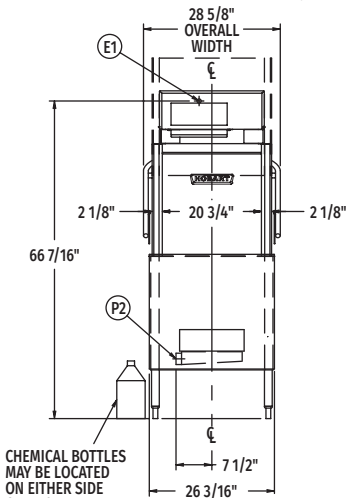
Recommended building flowing water pressure to the dishwasher is 20-25 PSI. If pressure is higher than 25 PSI, a pressure regulating valve with internal thermal expansion bypass must be supplied (by others) in the water line to the dishwasher.

For convenience when cleaning, water tap should be installed near machine with heavy duty hose and squeeze valve.

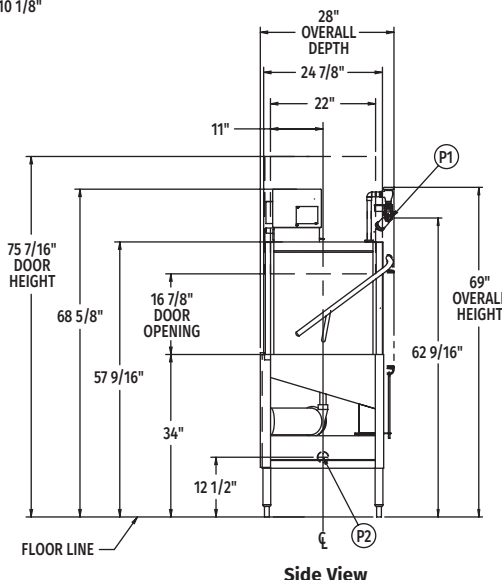
Miscellaneous Notes: All dimensions taken from floor line may increase 3/4" or decrease 1/2" depending on leg adjustment.



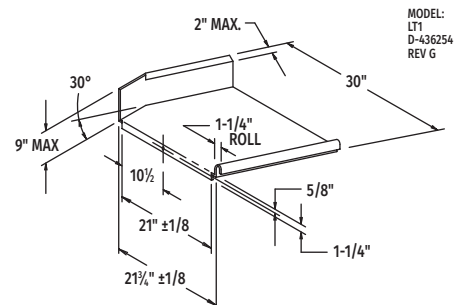
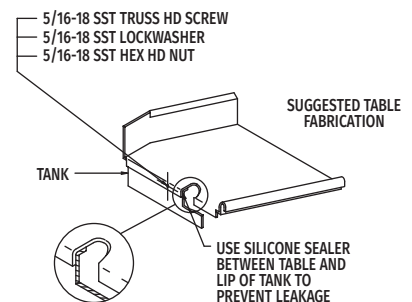
Top View



Front View



Side View



MODEL:
LT1
D-436254
REV G