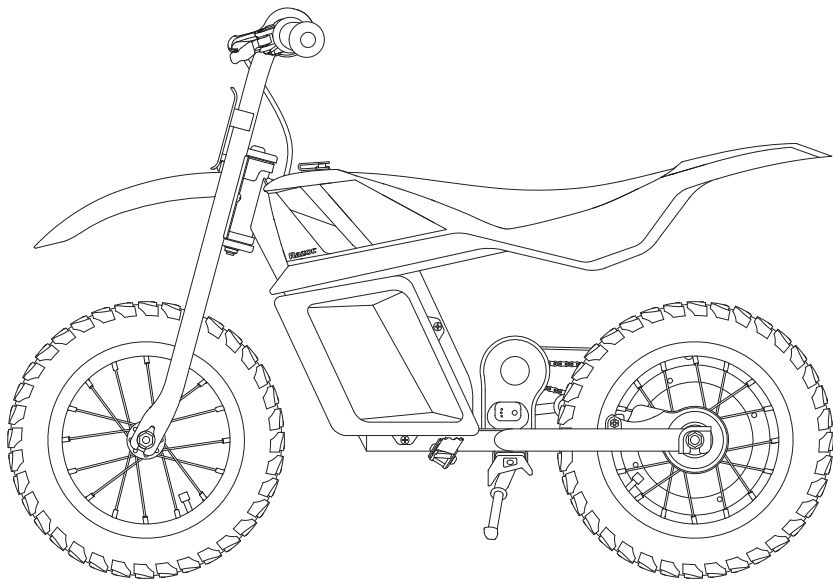




- EN** Read and understand this guide before using product.
- FR** Lire et assimiler ce manuel avant d'utiliser le produit.
- ES** Es imprescindible leer y comprender esta guía antes de usar el producto.
- DE** Lesen Sie diesen Leitfaden vor Benutzung des Produktes aufmerksam.
- IT** Leggere e comprendere tutti i punti del presente manuale prima di utilizzare questo prodotto.
- NL** Lees deze instructies goed door voordat je het product gaat gebruiken.
- PT** Leia e compreenda este guia antes de utilizar o produto.
- PL** Przed użyciem produktu należy przeczytać ze zrozumieniem niniejszą instrukcję.
- HU** A termék használatá elött olvasd el és értsd meg ezt a használati útmutatót.

- RU** Необходимо прочесть и понять эту инструкцию перед использованием продукции.
- SV** Läs och förstå denna bruksanvisning innan du använder produkten.
- NO** Les og forstå denne veiledningen før du bruker dette produktet.
- DA** Læs og forstå hele denne vejledning før du lader nogen bruge produktet.
- FI** Lue nämä ohjeet huolellisesti ennen tuotteen käyttöönottoa.
- RO** Consultați acest ghid înainte de a utiliza produsul.
- SK** Pre použitím tohto výrobku si prečítajte a pochopte tento návod.
- CS** Před použitím tohoto výrobku si řádně prostudujte návod k použití.
- BG** Прочетете и разберете това ръководство преди да използвате продукта.
- TR** Ürünü kullanmadan önce kılavuzu okuyup anlayınız.
- UK** Необхідно прочитати й зрозуміти цю інструкцію перед використанням продукції.
- JA** 製品をご使用になる前に本説明書をお読みになりよく理解なさってください。
- KO** 제품을 사용하시기 전에 이 안내서를 읽고 이해하십시오.
- ZH** 請在使用產品之前細心閱讀和瞭解此使用指南。
- ZH** 使用产品前请阅读并理解本指南。

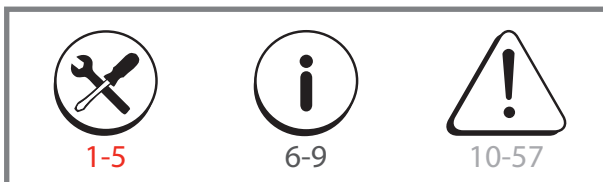
Razor



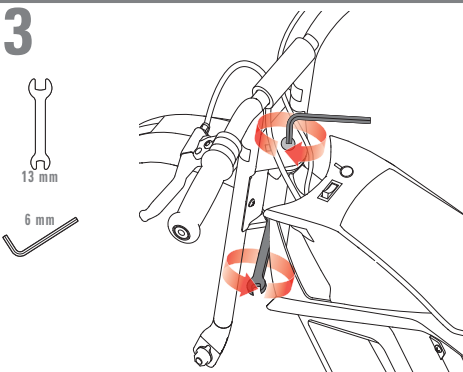
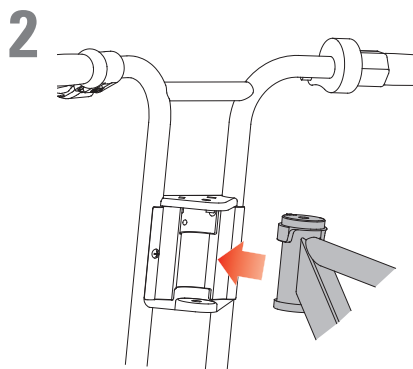
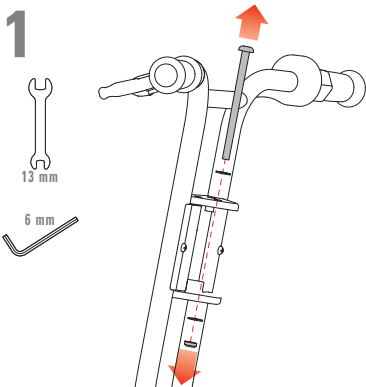
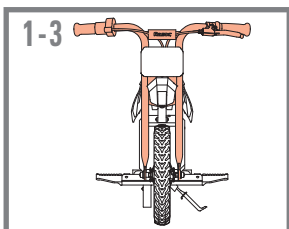
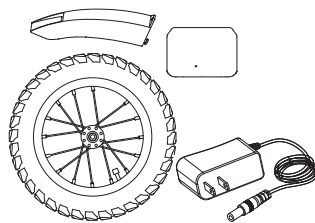
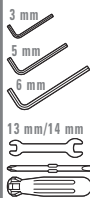
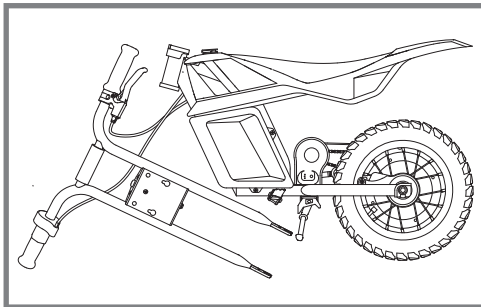
MX125™/SX125™

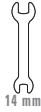
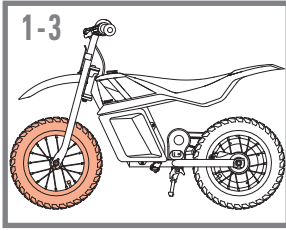
YOUTH SPORT ELECTRIC MOTOCROSS BIKE

MOTOCYCLETTTE DE MOTOCROSS ÉLECTRIQUE SPORT POUR JEUNES

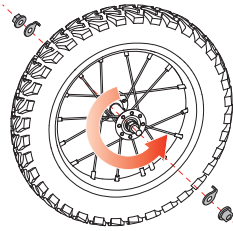


www.razor.com

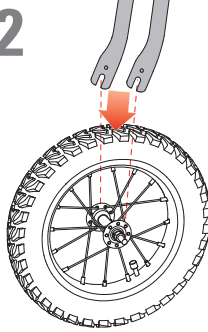




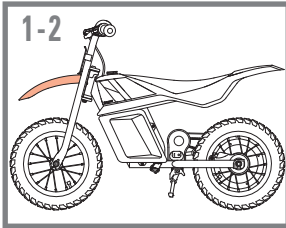
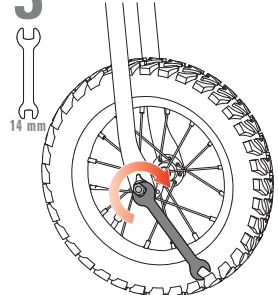
1



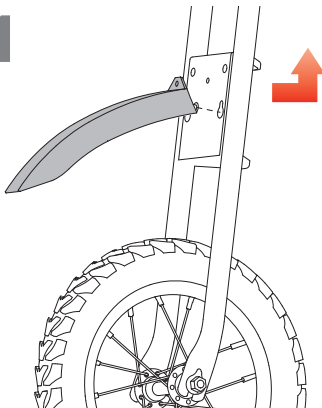
2



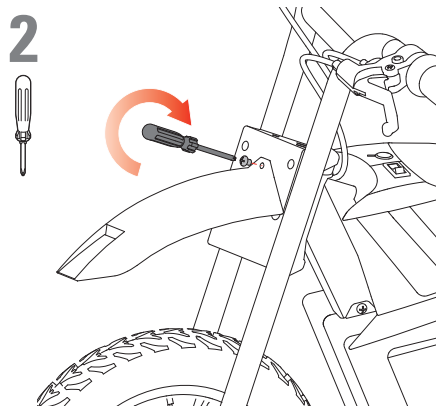
3

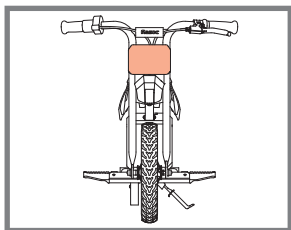


1



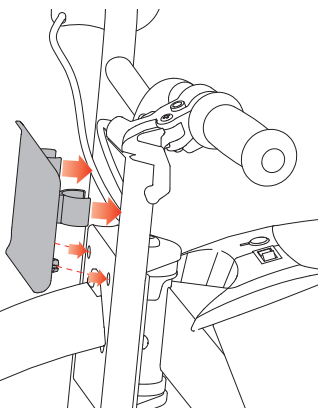
2



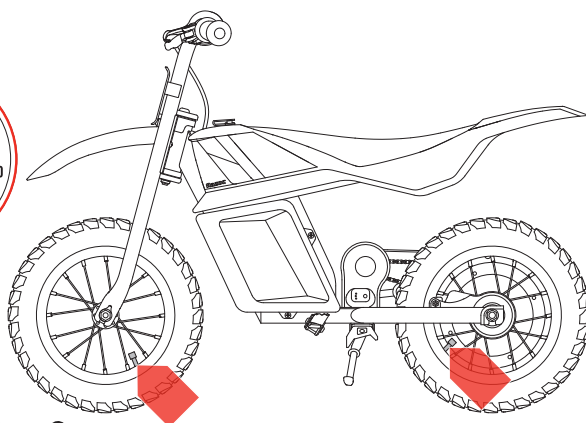
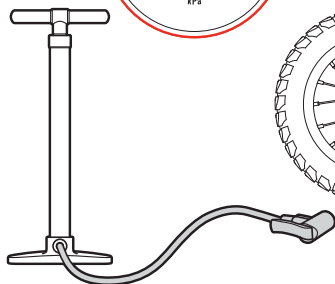
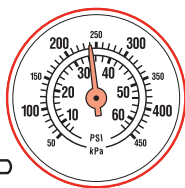


1

**CLICK
CLIQUEZ**



**35 PSI
240 kPa**



3

EN Charging battery

FR Charge de la batterie

ES Cargando la batería

DE Batterie laden

IT Caricare la batteria

NL Batterij opladen

PT Carregar a bateria

PL Ładowanie baterii

HU Akkumulátor feltöltése

RU Зарядка батареи

SV Ladda batteriet

NO Lading av batteriet

DA Sådan oplader du batteriet

FI Huolto ja kunnossapito

RO Acumulator

SK Nabíjanie batérie

CS Nabíjení baterie

BG Зареждане на батерията

TR Akünün şarj edilmesi

UK Зарядження батареї

JA バッテリーの充電

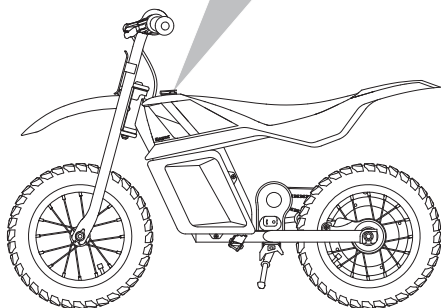
KO 건전지 충전

ZH 為電池充電

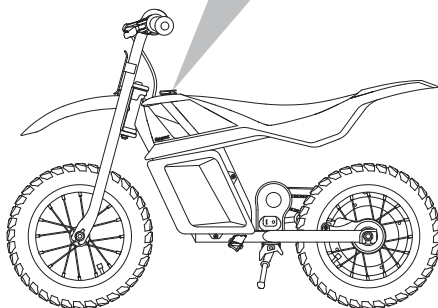
ZH 充电电池



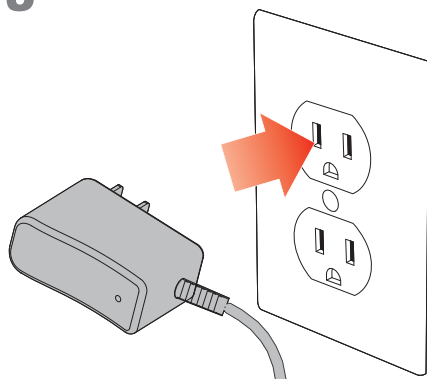
1



2



3



4



EN Initial charge time: 12 hours.

FR Temps de charge initial: 12 heures.

ES Tiempo de carga inicial: 12 horas.

DE Erstauffladezeit: 12 Stunden.

IT Tempo di carica iniziale: 12 ore.

NL Tijd eerste keer laden: 12 uur.

PT Tempo inicial de carga: 12 horas.

PL Czas pierwszego ładowania: 12 godzin.

HU Az első feltöltés ideje: 12 óra.

RU Время первой зарядки: 12 часов.

SV Laddningstid första laddning är: 12 timmar.

NO Første ladetid: 12 timer.

DA Opladningstid første gang: 12 timer.

FI Ensilatausaika: 12 tuntia.

RO Timp de încărcare inițială: 12 ore.

SK Čas prvého nabíania: 12 hodín.

CS Počáteční doba nabíjení: 12 hodin.

BG Първоначално време за зареждане: 12 часа.

TR İlk şarj süresi: 12 saat.

UK Час першого заряджання: 12 годин.

JA 初回充電時間: 12時間。

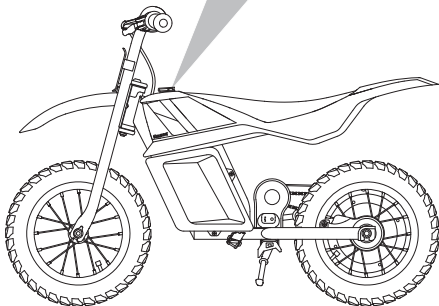
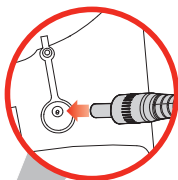
KO 첫충전시간: 12시간.

ZH 首次充電時間: 12小時。

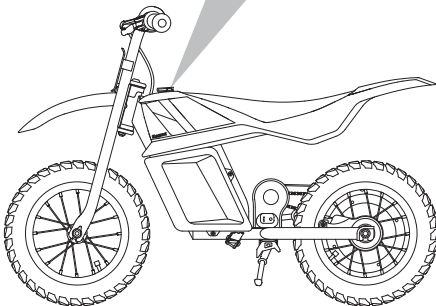
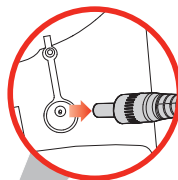
ZH 首次充电时间: 12小时。

4

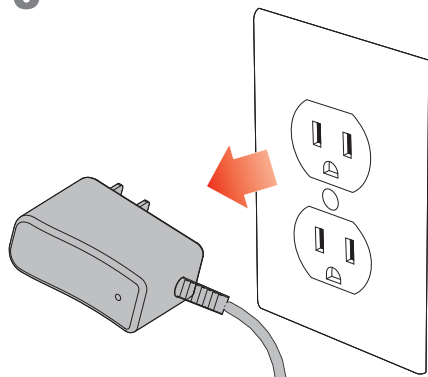
12:00
HOURS MINUTES
HEURES



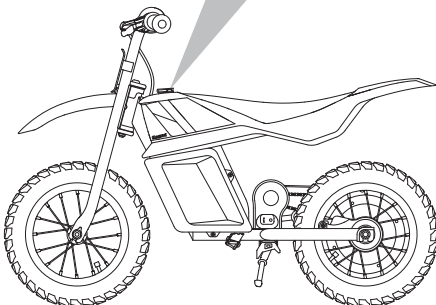
5



6



7





EN How to ride the MX125/SX125

FR Comment conduire le MX125/SX125

ES Cómo conducir el MX125/SX125

DE So fährt man das MX125/SX125

IT Come guidare il MX125/SX125

NL Hoe er op de MX125/SX125 kan worden gereden

PT Como andar com a MX125/SX125

PL Jak jeździć produktem MX125/SX125

HU Hogyan vezedsz a MX125/SX125

RU Как кататься на MX125/SX125

SV Hur man kör med ett MX125/SX125

NO Hvordan MX125/SX125 skal kjøres

DA Sådan kører du MX125/SX125

FI Miten MX125/SX125 voi ajaa

RO Cum să utilizezi produsul MX125/SX125

SK Ako jazdiť na štvorkolke MX125/SX125

CS Jak jezdit na čtyřkolce MX125/SX125

BG Как да се кара MX125/SX125

TR MX125/SX125'a nasıl binilir

UK Як кататися на MX125/SX125

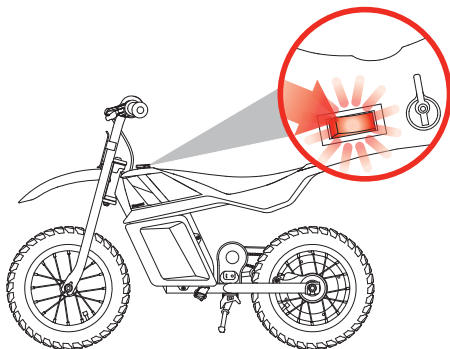
JA MX125/SX125 の乗り方

KO MX125/SX125 의 사용법

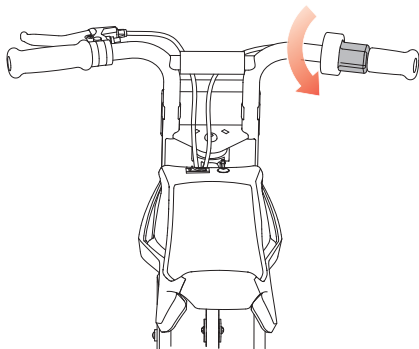
ZH 如何使用 MX125/SX125

ZH 怎样骑乘 MX125/SX125

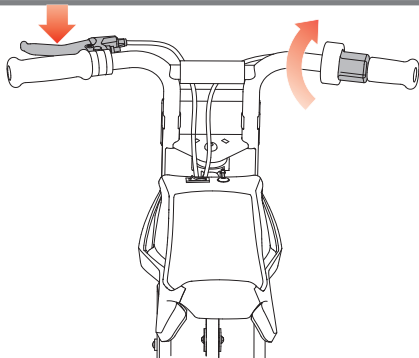
1



2



3





- EN Adjusting brakes
- FR Réglage des freins
- ES Ajustando los frenos
- DE Bremsen einstellen
- IT Regolare i freni
- NL Remmen afstellen
- PT Afinar os travões
- PL Regulowanie hamulców

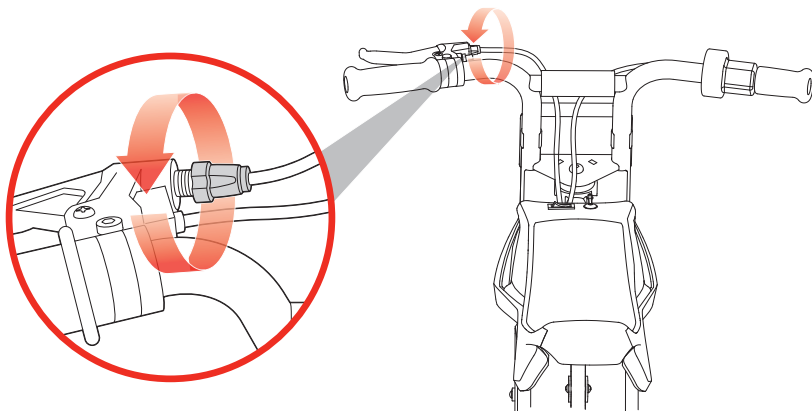
- HU Féékek beállítása
- RU Регулировка тормозов
- SV Justera bromsarna
- NO Justering av bremsene
- DA Sådan justerer du bremserne
- FI Jarrujen säätäminen
- RO Reglarea frânelor
- SK Nastavenie brzd

- CS Seřízení brzd
- BG Регулиране на спирката
- TR Frenlerin ayarlanması
- UK Регулювання гальм
- JA ブレーキの調整
- KO 브레이크 조절
- ZH 調整刹車
- ZH 调整刹车

- EN Tighten brakes at cable.
- FR Serrer les freins au niveau du câble.
- ES Ajustar los frenos mediante el cable.
- DE Bremsen am Kabel festziehen.
- IT Serrare i freni sul cavo.
- NL Remmen vaster afstellen bij de kabel.
- PT Aperte os travões no cabo.
- PL Zaciśnięcie hamulca po stronie linki.

- HU Féékek feszesebbre állítása a kábelnél.
- RU Затяните тормоза на кабеле.
- SV Dra åt bromsen på kabeln.
- NO Stram bremsene på kabelen.
- DA Stram bremserne på kablet.
- FI Kiristä jarruja kaapelista.
- RO Strângeți lanțul frânei.
- SK Utiahnite brzdy na kábli.

- CS Utáhněte brzdy na kabelu.
- BG Затегнете спирачките от кабела.
- TR Kablodaki Frenleri Sıkıştırınız.
- UK Затягніть гальма на кабелі.
- JA ブレーキケーブルを締める
- KO 케이블에 위치한 브레이크들을 조이십시오.
- ZH 緊固線管處的刹車。
- ZH 紧固线管处的刹车。

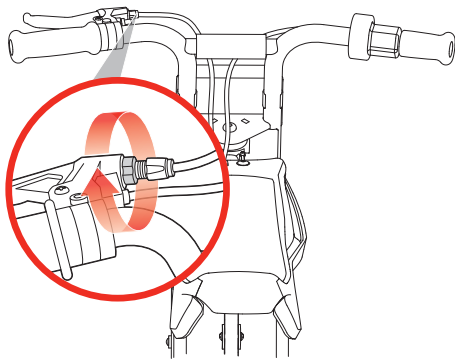




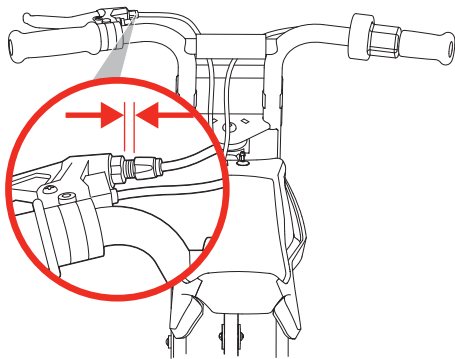
- EN** Loosen brakes at cable.
- FR** Desserrer les freins au niveau du câble.
- ES** Aflojar los frenos mediante el cable.
- DE** Bremsen am Kabel lösen.
- IT** Allentare i freni sul cavo.
- NL** Remmen lossen afstellen bij de kabel.
- PT** Afrouxe os travões no cabo.
- PL** Poluzowanie hamulca po stronie linki.

- HU** Fékek lazítása a kábelnél.
- RU** Ослабьте тормоза на кабеле.
- SV** Lossa bromsen på kabeln.
- NO** Løsne bremsene på kabelen.
- DA** Løsn bremsene på kablet.
- FI** Löysää jarruja kaapelista.
- RO** Slăbiți lanțul frânei.
- SK** Uvoľnite brzdy na kábli.

- CS** Uvolněte brzdy na kabelu.
- BG** Разхлабете спирачките от кабела.
- TR** Kablodaki Frenleri Gevşetiniz.
- UK** Послабте гальма на кабелі.
- JA** ブレーキケーブルを緩める
- KO** 케이블에 위치한 브레이크들을 느슨하게 하십시오.
- ZH** 鬆開線管處的剎車。
- ZH** 松开线管处的刹车。



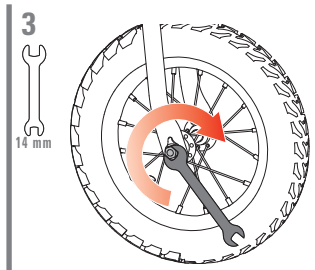
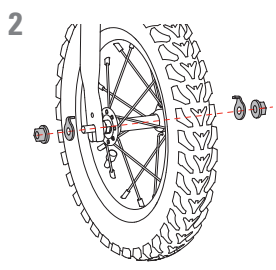
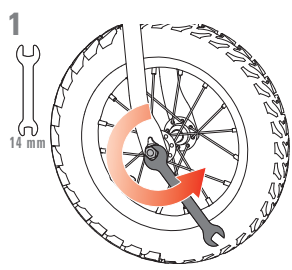
≤0.25"-6.35 mm



- EN** Front wheel replacement
- FR** Remplacement de la roue avant
- ES** Cambio de la llanta delantera
- DE** Vorderrad ersetzen
- IT** Sostituire la ruota anteriore
- NL** Voorwiel vervangen
- PT** Substituir a roda da frente
- PL** Wymiana przedniego koła

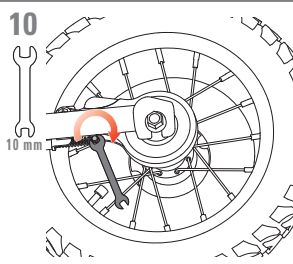
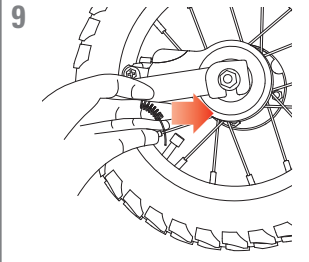
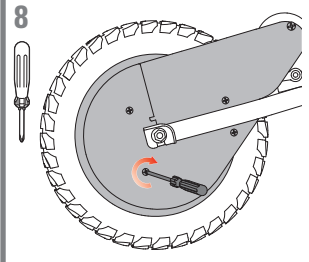
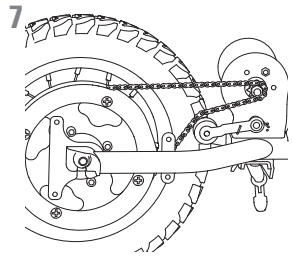
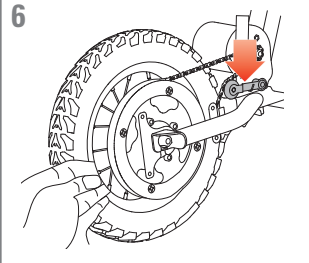
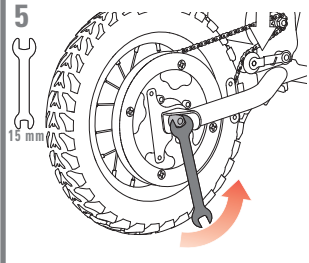
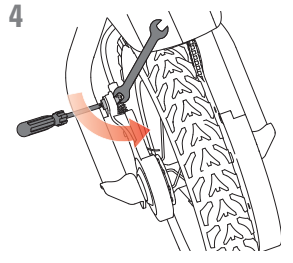
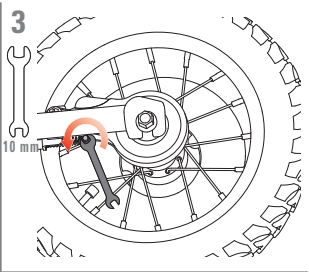
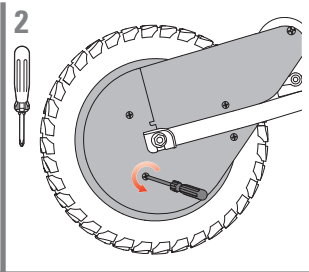
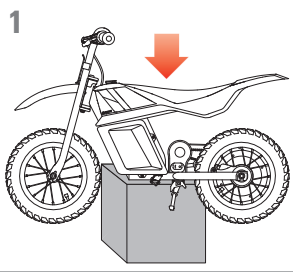
- HU** Első kerék cseréje
- RU** Замена переднего колеса
- SV** Byte av framhjul
- NO** Skifte av forhjul
- DA** Udsiftning af forhjul
- FI** Etupyörän vaihtaminen
- RO** Înlocuirea roții din față
- SK** Výmena predného kola

- CS** Výměna předního kola
- BG** Смяна на предното колело
- TR** Ön tekerleğin değiştirilmesi
- UK** Заміна переднього колеса
- JA** フロントタイヤの交換
- KO** 앞바퀴 교체
- ZH** 更換前輪
- ZH** 前轮更换





- | | | |
|-----------------------------------------------------------|----------------------------------------------------|------------------------------------------------------|
| EN Chain and rear wheel replacement | HU Lánc és hátsó kerék cseréje | CS Výměna řetězu a zadního kola |
| FR Remplacement de la chaîne et de la roue arrière | RU Замена цепи и заднего колеса | BG Смяна на веригата и задното колело |
| ES Cambio de la llanta trasera y la cadena | SV Byte av kedja och bakhjul | TR Zincirin ve arka tekerleğin değiştirilmesi |
| DE Kette und Hinterrad ersetzen | NO Skifte av kjede og bakhjul | UK Заміна ланцюга і заднього колеса |
| IT Sostituire la catena e della ruota posteriore | DA Udsiftning af kæde og baghjul | JA チェーンと 뒷바퀴 교환 |
| NL Ketting en achterwiel vervangen | FI Ketjun ja takapyörän vaihtaminen | KO 체인과 뒷바퀴 교체 |
| PT Substituir a corrente e a roda traseira | RO Înlocuirea lanțului și a roții din spate | ZH 更換鏈條和後輪 |
| PL Wymiana łańcucha i tylnego koła | SK Výměna reťaze a zadného kola | ZH 链条和后轮更换 |



 **WARNING. To avoid serious injury:**
SAFETY PRECAUTIONS during operation and maintenance
Parents/adult supervisors read this page first

PARENTS/SUPERVISING ADULTS MUST TEACH CHILDREN HOW TO SAFELY RIDE THIS PRODUCT. If the rider fails to use common sense and heed these warnings, there is an increased risk of damage, serious injury or possibly death.

Riding this Product Presents Potential Risks.

- Like any riding product, this product can be hazardous (for example, falling off or riding into a hazardous situation). This product is, of course, meant to move and it is therefore possible for a rider to lose control or otherwise get into dangerous situations.
- Both children and adults responsible for supervising them must recognize that if such things occur, a rider can be seriously injured or possibly die, even when using safety equipment and taking other safety precautions.

USE AT YOUR OWN RISK AND USE COMMON SENSE.

Parental and Adult Responsibility and Supervision are Necessary

Because this product can be hazardous – and not every product is appropriate for every age or size of child – different age recommendations are found within this category of product which are intended to reflect the nature of the hazards and the expected mental or physical ability, or both, of a child to cope with the hazards. Parents and supervising adults need to select riding products appropriate for the age of the child who will ride this product and take care to prevent children who may be too immature or inexperienced for a product's characteristics to endanger themselves around it.

- The recommended rider age for this product is 7 years of age and older. Any rider, even 7 or older, unable to fit comfortably on this product should not attempt to ride it. A parent's decision to allow his or her child to ride this product should be based on the child's maturity, skill and ability to follow rules. Keep this product away from small children and remember that it is intended for use only by persons who are, at a minimum, completely comfortable and competent while operating this product.
- Maximum rider weight 50 kg (110 lbs).
- Persons with any mental or physical conditions that may make them susceptible to injury, impair their physical dexterity or mental capabilities to recognize, understand, and follow safety instructions and to be able to understand the hazards inherent in MX125/SX125 use, should not use or be permitted to use products inappropriate for their abilities. Persons with heart conditions, head, back or neck ailments (or prior surgeries to these areas of the body), or pregnant women, should be cautioned not to operate such products.

Check MX125/SX125 Before Use – Maintain After Use

- Before use, confirm that any and all chain guards or other covers or guards are in place and in serviceable condition, that the brake is functioning properly and that tires are inflated properly and have sufficient tread remaining.
- After use, maintain and repair this product in accordance with the manufacturer's specifications in this manual. Use only the manufacturer's authorized replacement parts. Do not modify this product from the manufacturer's original design and configuration.

Acceptable Riding Practices and Conditions – Parents/adults should discuss these rules with their children **Protective equipment should be worn. Not to be used in traffic.**

Where to Ride

- Always check and obey any local laws or regulations which may affect the locations where this product may be used. Keep safely away from autos and motor vehicle traffic at all times and only use where allowed and with caution.
- This product is meant to be used on private property and on closed courses and not on public streets or sidewalks. Do not ride your electric product in any areas where pedestrian or vehicle traffic are present.
- Ride defensively. Be careful to avoid pedestrians, skaters, skateboards, scooters, bikes, children or animals who may enter your path. Respect the rights and property of others.
- This product is intended for use on flat, dry surfaces such as pavement or level ground, without loose debris such as sand, leaves, rocks or gravel.
- Wet, slick, bumpy, uneven or rough surfaces may lessen traction and increase the risk of accidents.
- Do not ride this product in mud, ice, puddles or water.
- Watch out for potential obstacles that could catch your wheel or force you to swerve suddenly or lose control.
- Avoid sharp bumps, drainage grates, and sudden surface changes.
- Do not ride this product in wet or icy weather and never immerse this product in water, as the electrical and drive components could be damaged by water or create other possibly unsafe conditions.
- Never risk damaging surfaces such as carpet or flooring by use of this product indoors.
- Never use near steps or swimming pools.

How to Ride

- Do not use the speed control (twist-grip throttle) on the hand grip unless you are fully seated on the MX125/SX125 and in a safe, outdoor environment suitable for riding.
- Hold the handlebars at all times while you are riding.
- Do not touch the brake or motor on the product when in use or immediately after riding as these parts can become very hot.
- Avoid high speeds, as you might have on downhill rides, where you might lose control.
- Do not ride at night or when visibility is limited.
- Do not attempt or do stunts or tricks on the product. The product is not strong enough to withstand misuse and abuse such as jumping, curb grinding or any other type of stunts. Racing, stunt riding, or other maneuvers also increase the risk of loss of control, or may cause uncontrolled rider actions or reactions. All of these could result in serious injury or possibly death.
- Never allow more than one person at a time ride this product.
- Do not allow hands, feet, hair, body parts, clothing, or similar articles to come in contact with moving parts, wheels, or drivetrain.
- Never use headphones or a cell phone when riding.
- Never hitch a ride with a vehicle.

Proper Riding Equipment, Clothes, Shoes

- Always wear proper protective equipment, such as an approved safety helmet (with chin strap securely buckled), elbow pads and kneepads. A helmet may be legally required by local law or regulation in your area. In addition, a long-sleeved shirt, long pants, and gloves are recommended.
- Always wear athletic shoes (lace-up shoes with rubber soles), never ride barefoot or in sandals, and keep shoelaces tied and away from the wheels, motor and drive system.

Using the Charger

- Never modify the electric system. Alteration could cause a fire. Use of the wrong type of battery or charger could cause an explosion.
- BEFORE EACH USE: Charge the battery for AT LEAST 12 hours and inflate the tires to the correct PSI.
- Turn off after each ride. The battery may be unable to recharge if left "ON" without use.
- Do NOT store in freezing or below freezing temperatures! Freezing temperatures will permanently damage the battery.
- The charger supplied with this product should be regularly examined for damage to the cord, plug, enclosure and other parts. In the event of such damage, the product must not be charged until the charger has been repaired or replaced.
- Use only a charger recommended by Razor.
- The charger is not a toy. Charger should only be operated by an adult.
- Do not operate charger near flammable materials or an open flame.
- Unplug charger and disconnect from the product when not in use.
- Do not exceed charging time.
- Always disconnect product from charger prior to wiping it down or cleaning with a damp cloth.

Limited Warranty:

This Limited Warranty is the only warranty for this product. There is no other express or implied warranty.

The manufacturer warrants this product to be free of manufacturing defects for a period of 90 days from date of purchase.

This Limited Warranty will be void if the product is ever:

- used in a manner other than for recreation or transportation;
- modified in any way;
- rented.



**CONTAINS ONE SEALED NON-SPILLABLE LEAD ACID BATTERY.
BATTERIES MUST BE RECYCLED.**



⚠ AVERTISSEMENT. Pour éviter de graves blessures : PRÉCAUTIONS DE SÉCURITÉ pendant l'utilisation et la maintenance
Les parents et les adultes surveillant les enfants doivent tout d'abord lire cette page

LES PARENTS ET LES ADULTES SURVEILLANT LES ENFANTS DOIVENT LEUR ENSEIGNER COMMENT UTILISER SANS DANGER CE PRODUIT. Si l'utilisateur ne fait pas usage de bon sens et ne respecte pas ces avertissements, il y a un risque accru de dommages ou de blessures graves, voire mortelles.

L'utilisation de ce produit présente des risques potentiels.

- Comme tout autre produit mobile, ce produit peut être dangereux (par exemple, on peut tomber ou être confronté à une situation dangereuse). Il va de soi que ce produit est conçu pour se déplacer; il est donc possible que l'utilisateur perde la maîtrise ou soit confronté à des situations dangereuses.
- Les enfants et les adultes chargés de les surveiller doivent comprendre que si une telle situation se présente, un utilisateur peut subir des blessures graves, voire mortelles, même s'il utilise l'équipement de sécurité et qu'il respecte les autres précautions de sécurité.

À UTILISER À VOS PROPRES RISQUES ET FAIRE PREUVE DE BON SENS.

La responsabilité et la supervision d'un parent et d'un adulte sont nécessaires

Parce que ce produit peut être dangereux et que tout produit n'est pas approprié aux enfants de tout âge ou de toute taille, il existe différentes recommandations relatives à l'âge dans cette catégorie de produits, qui ont pour but de refléter la nature des dangers et les capacités physiques ou mentales prévues, ou les deux, qu'un enfant possède pour faire face aux dangers. Les parents et les adultes chargés de surveiller les enfants doivent choisir des produits mobiles adaptés à l'âge de l'enfant qui utilisera ce produit et prendre les précautions afin d'éviter que les enfants trop immatures ou inexpérimentés pour les caractéristiques d'un produit se mettent en danger.

- **L'âge recommandé pour un utilisateur de ce produit est de 7 ans ou plus. Toute personne, même âgée de 7 ans ou plus, ne se sentant pas à l'aise sur ce produit ne doit pas essayer de l'utiliser. Les parents doivent décider de permettre ou non à leur enfant d'utiliser ce produit en fonction de sa maturité, de ses capacités et de son aptitude à respecter les consignes. Tenir ce produit hors de portée des enfants en bas âge et se rappeler qu'il est exclusivement destiné à des personnes qui, au minimum, se sentent totalement à l'aise et compétentes pour utiliser ce produit.**
- **Poids maxi. de l'utilisateur : 50 kg**
- **Toute personne présentant des problèmes mentaux ou physiques qui l'exposent aux blessures ou qui risquent de nuire à sa dextérité ou à sa capacité mentale de reconnaître, comprendre et suivre les directives de sécurité et à sa capacité de comprendre le danger relatif à l'utilisation du MX125/SX125 ne doit pas utiliser ou avoir la permission d'utiliser des produits inappropriés à ses capacités. Il faut prévenir les personnes souffrant de maladies cardiaques, de douleurs à la tête, au dos ou au cou (ou ayant subi des chirurgies à ces parties du corps) et les femmes enceintes de ne pas utiliser ces produits.**

Vérifier le MX125/SX125 avant l'utilisation – Effectuer un entretien après l'utilisation

- Avant l'utilisation, confirmer que tous les garde-chaînes ou autres couvercles protecteurs sont en place et en bon état, que le frein fonctionne correctement, que les pneus sont bien gonflés et que la bande de roulement n'est pas trop usée.
- Après l'utilisation, entretenir et réparer ce produit conformément aux spécifications du fabricant incluses dans le présent guide. Utiliser uniquement les pièces de rechange homologuées par le fabricant. Ne pas modifier la conception et la configuration d'origine de ce produit.

Pratiques et conditions d'utilisation acceptables – Les parents ou les adultes doivent discuter de ces règles avec leurs enfants. Porter un équipement de protection. Ne pas utiliser au sein de la circulation.

Où rouler

- Toujours vérifier et respecter les lois ou réglementations locales applicables aux endroits où ce produit peut être utilisé. Maintenir constamment une distance de sécurité avec les véhicules motorisés et utiliser le produit avec précaution uniquement aux endroits autorisés.
- Ce produit est prévu pour être utilisé sur des propriétés privées et des circuits fermés, mais pas sur les voies publiques ni les trottoirs. N'utilisez pas avec votre véhicule électrique dans des secteurs où un trafic piéton ou automobile est présent.
- Adopter une conduite défensive. Il faut veiller à éviter les piétons, les skaters, les skateboards/planches à roulettes, les trottinettes, les vélos, les enfants ou les animaux qui pourraient couper votre trajectoire. Respecter les droits et la propriété d'autrui.
- Ce produit est conçu pour être utilisé sur un sol plat et sec, comme des trottoirs ou des terrains plats exempts de débris comme du sable, des feuilles, des cailloux ou du gravier.
- Les surfaces humides, glissantes, bosselées, inégales ou rugueuses peuvent réduire l'adhérence et augmenter les risques d'accident.
- Ne pas utiliser ce produit dans la boue, sur la glace, dans les flaques ou l'eau.
- Prendre garde aux obstacles potentiels qui pourraient s'accrocher à la roue, vous forcer à tourner brusquement ou vous faire perdre la maîtrise.
- Éviter les bosses, les bouches d'égout et les changements brusques de surfaces.
- Ne pas conduire ce produit par temps humide ou en présence de verglas et ne jamais immerger ce produit dans l'eau, car les éléments électriques et les organes de transmission pourraient être endommagés par l'eau ou créer d'autres conditions potentiellement dangereuses.
- Ne jamais risquer d'endommager des surfaces comme de la moquette ou du revêtement de sol en utilisant ce produit à l'intérieur.
- Ne jamais utiliser à proximité de marches ou de piscines.



Comment conduire

- Ne pas utiliser la commande de vitesse (poignée rotative d'accélération) sur le guidon tant que vous n'êtes pas bien assis sur le MX125/SX125 et dans un environnement extérieur sans danger et approprié pour rouler.
- Tenir le guidon en tout temps lorsque vous roulez.
- Ne pas toucher au frein ou au moteur de ce produit lorsqu'il est en marche ou immédiatement après son utilisation, car ces pièces peuvent être très chaudes.
- Éviter des vitesses excessives associées à la pratique en descente, car vous risquez de perdre la maîtrise.
- Ne pas rouler de nuit ou lorsque la visibilité est limitée.
- Ne pas tenter de faire ou ne pas faire d'acrobaties ou de figures sur le produit. Ce dernier n'est pas suffisamment solide pour résister à une mauvaise utilisation ou à des abus comme sauter, grimper sur des trottoirs ou toute autre acrobatie. Les courses et l'exécution d'acrobaties ou de tout autre manœuvre augmentent également les risques de perte de maîtrise ou peuvent entraîner des actions ou des réactions non maîtrisées de l'utilisateur. Tous ces comportements peuvent entraîner des blessures graves, voire mortelles.
- Ne jamais laisser plus d'une personne à la fois monter sur ce produit.
- Ne jamais laisser de mains, de pieds, de cheveux, de parties du corps, de vêtements ou d'autres articles semblables entrer en contact avec les organes mobiles, les roues ou la transmission.
- Ne jamais utiliser d'écouteurs ou de téléphone portable en roulant.
- Ne jamais s'accrocher à un autre véhicule.

Équipement de protection, vêtements, chaussures appropriés

- Toujours porter un équipement de protection approprié, tel qu'un casque homologué (avec la sangle correctement bouclée), des protections pour coudes et genoux. Il peut être obligatoire de porter un casque de protection en vertu de la loi ou de la réglementation locale. De plus, il est recommandé de porter un vêtement à manches longues, un pantalon et des gants.
- Toujours porter des chaussures de sport (des chaussures à lacets avec des semelles caoutchouc); ne jamais rouler pieds nus ou en sandales, et s'assurer que vos lacets restent noués et à distance des roues, du moteur et du système d'entraînement.

Utiliser le chargeur

- Ne jamais modifier le système électrique. Une modification peut entraîner un incendie. L'utilisation du mauvais type de batterie ou de chargeur peut provoquer une explosion.
- AVANT CHAQUE UTILISATION : Charger la batterie durant au moins 12 heures avant chaque utilisation et gonfler les pneus à la pression appropriée.
- Éteindre après chaque utilisation. Il pourrait être impossible de recharger la batterie si elle est allumée sans être utilisée.
- NE PAS entreposer à 0 °C ou moins ! Le gel endommagera la batterie de façon permanente.
- Le chargeur fourni avec ce produit doit être régulièrement examiné pour vérifier si le câble, la prise, le boîtier et les autres pièces sont endommagés. Si un des composants est endommagé, le produit ne doit pas être chargé tant que le chargeur n'a pas été réparé ou remplacé.
- Utiliser uniquement un chargeur recommandé par Razor.
- Le chargeur n'est pas un jouet. Le chargeur doit uniquement être utilisé par un adulte.
- Ne pas utiliser le chargeur près de matériaux inflammables ou d'une flamme nue.
- Débrancher le chargeur de la prise et du produit lorsqu'il n'est pas utilisé.
- Ne pas dépasser le temps de charge.
- Toujours débrancher le produit du chargeur avant de l'essuyer ou de le nettoyer avec un linge humide.

Garantie limitée:

Cette garantie limitée est la seule garantie couvrant ce produit. Il n'existe aucune autre garantie explicite ou tacite. Le fabricant garantit que ce produit est exempt de défauts de fabrication pour une durée de 90 jours à compter de la date d'achat. Cette garantie limitée s'éteindra si le produit est :

- utilisé autrement qu'à des fins de loisirs ou de transport ;
- modifié de quelque manière que ce soit ;
- loué.



**CONTIENT UNE BATTERIE PLOMB/ACIDE ÉTANCHE, SANS ENTRETIEN.
LES BATTERIES DOIVENT ÊTRE RECYCLÉES.**



⚠️ ADVERTENCIA. Para evitar lesiones graves: **PRECAUCIONES DE SEGURIDAD** durante el uso y el mantenimiento **Padres/supervisores adultos, lean esta hoja primero**

PADRES/SUPERVISORES ADULTOS DEBEN ENSEÑAR A SUS HIJOS CÓMO CONDUCIR ESTE PRODUCTO DE FORMA SEGURA. Si el conductor no tiene sentido común y no presta atención a estas precauciones, existe un alto riesgo de daños, heridas graves o posible muerte.

Conducir este producto presenta posibles riesgos.

- Al igual que cualquier producto motorizado, este producto puede ser peligroso (por ejemplo, el conductor puede caerse o conducir hacia una situación peligrosa). Por supuesto, se supone que este producto se moverá y, por ello, es posible que el conductor pierda el control o se vea en alguna situación peligrosa.
- Tanto niños como adultos responsables por supervisarlos deben reconocer que si algo así ocurre, un conductor pueda tener alguna herida grave o morir, aún al utilizar el equipo de seguridad y aunque tome otras precauciones de seguridad.

USAR BAJO SU PROPIO RIESGO Y SIGUIENDO EL SENTIDO COMÚN.

Es necesaria la Responsabilidad y Supervisión de los Padres o de algún Adulto

Debido a que este producto puede ser peligroso y que no cualquier producto es apto para cualquier edad o tamaño de niño – a continuación encontrará recomendaciones para diferentes edades dentro de esta categoría de producto, cuyo propósito es reflejar la naturaleza de los peligros y la habilidad mental o física esperada, o ambas, para que un niño pueda manejar los peligros. Los padres y adultos supervisores necesitan elegir productos apropiados para la edad del niño que los vaya a conducir y evitar que los niños demasiado inmaduros o no experimentados para las características del producto se pongan en peligro con el mismo.

- La edad mínima recomendada para este producto es 7 años. Cualquier conductor, de 7 años y más, que no se acomode cómodamente en él, no deberá intentar conducirlo. La decisión de los padres de permitir a su hijo conducir este producto debe estar basada en la madurez del niño, así como su habilidad y destreza para seguir las reglas. Mantenga este producto fuera del alcance de niños pequeños y recuerde que debe ser utilizado únicamente por personas que se sientan, como mínimo, totalmente cómodas y competentes para utilizar este producto.
- **Peso máximo del conductor: 50 kg**
- **Aquellas personas cuyas condiciones psíquicas o físicas puedan hacerlas susceptibles de sufrir daños, o ver sus habilidades físicas o capacidades mentales afectadas a la hora de reconocer, comprender y seguir las instrucciones de seguridad y ser capaces de entender los riesgos inherentes a la utilización de la MX125/SX125 no deberán utilizar o no se les deberá permitir utilizar productos inapropiados. Las personas con problemas de corazón, cabeza, espalda o cuello (o que hayan sido sometidas a cirugías de estas áreas corporales), o mujeres embarazadas, deberán ser advertidas de no usar este tipo de productos.**

Comprobación del MX125/SX125 antes del uso – Mantenimiento después del uso

- Antes de utilizarlo, confirme que todas y cada una de las protecciones de la cadena u otras protecciones o cubiertas están en su sitio y en buen estado, que el freno funciona correctamente y que los neumáticos están bien inflados y tienen suficiente dibujo.
- Después de su uso, mantenga y repare este producto de acuerdo con las especificaciones del fabricante en este manual. Utilice únicamente repuestos autorizados por el fabricante. No modifique este producto, respete su diseño original y la configuración del fabricante.

Prácticas y Condiciones Aceptables de Conducción – Padres/adultos deben discutir estas reglas con sus hijos. Recomendación de usar equipo de protección. No debe utilizarse en medio del tráfico.

¿Dónde puedo utilizar el producto?

- Revise y obedezca siempre cualquier ley o regla local que pudiera afectar los lugares en donde se puede utilizar este producto. Manténgase lejos de tráfico de automóviles y vehículos motorizados en todo momento y utilice únicamente en donde se permita y con precaución.
- Este producto está diseñado para ser usado en propiedades privadas y en circuitos cerrados, no en calles ni aceras de uso público. No circule con el producto eléctrico en zonas con presencia de peatones o tráfico vehicular.
- Conduzca a la defensiva. Evite peatones, patinadores, monopatines, escúteres, bicicletas, niños o animales que pudieran atravesarse en su camino. Respete los derechos y la propiedad de los demás.
- Este producto debe utilizarse en superficies planas y secas, tales como pavimento o superficies planas sin residuos sueltos, tales como arena, hojas, piedras o grava.
- Superficies mojadas, resbalosas, con baches, desiguales o escarpadas, pueden disminuir la tracción e incrementar el riesgo de accidentes.
- No conduzca este producto sobre lodo, hielo, charcos o agua.
- Esté alerta por posibles obstáculos que pudieran topar con su llanta o forzarlo a girar repentinamente o perder el control.
- Evite golpes agudos, rejillas de drenajes y cambios bruscos en la superficie.
- No conduzca este producto en clima húmedo o helado y no lo sumerja nunca en agua, ya que los componentes eléctricos podrían dañarse con el agua o crear otras condiciones inseguras.
- No se arriesgue a dañar superficies tales como alfombras o pisos utilizando este producto en interiores.
- Nunca utilice cerca de escaleras o piscinas.

Cómo conducir este producto

- No active el control de velocidad en la empuñadura, excepto cuando esté completamente sentado en el MX125/SX125 y en un ambiente exterior adecuado y seguro para circular.
- Sostenga los mangos en todo momento mientras está conduciendo.
- No toque el freno o el motor del producto si está encendido o inmediatamente después de conducirlo, ya que las piezas pueden calentarse mucho.
- Evite altas velocidades como pudiera tener en caminos cuesta abajo en donde pudiera perder el control.
- No conduzca de noche o cuando la visibilidad sea limitada.
- No intente hacer acrobacias o trucos en su producto. Este no es lo suficientemente fuerte para resistir el mal uso y abuso tal como saltos, rechinamiento en curvas o cualquier otro tipo de acrobacias. Carreras, acrobacias y otras maniobras también incrementan el riesgo de pérdida de control, o pudiera ocasionar acciones o reacciones descontroladas del conductor. Todas éstas pudieran resultar en heridas graves o posible muerte.
- No permita nunca que más de una persona conduzca el producto a la vez.
- Evite que las manos, los pies, el cabello, partes del cuerpo, vestuario o artículos similares entren en contacto con piezas móviles, llantas o con la transmisión.
- Nunca utilice audífonos o teléfono celular al conducir.
- Nunca se enganche a otro vehículo.

Equipo, vestuario, zapatos apropiados para conducir

- Utilice siempre equipo de protección apropiado, tal como un casco de seguridad aprobado (con la correa ajustada de forma segura), coderas y rodilleras. Un casco puede ser requerido por ley o regulación local en su área. Además, se recomienda que utilice una camisa de manga larga, pantalones largos y guantes.
- Siempre utilice zapatos atléticos (amarrados y con suelas de hule), nunca conduzca descalzo o en sandalias, y mantenga las correas de los zapatos amarradas y lejos de las llantas, el motor y el sistema de transmisión.

Utilizando el cargador

- Nunca modifique el sistema eléctrico. Cualquier alteración puede causar un incendio. El uso del tipo incorrecto de baterías o carga puede causar una explosión.
- ANTES DE CADA USO: Cargue la batería por lo menos 12 horas e infle las ruedas a la presión (PSI) correcta.
- Apáguelo después de cada uso. La batería no podrá recargarse si la deja sin uso.
- ¡NO lo guarde en lugares con temperaturas muy frías o bajo cero! Dichas temperaturas dañarán permanentemente la batería.
- El cargador proporcionado con este producto debe examinarse periódicamente para detectar si hay daños en el cable, enchufe, caja y otras partes, y en caso de haberlos, el producto no deberá cargarse hasta que el cargador sea reparado o sustituido.
- Utilice únicamente un cargador recomendado por Razor.
- El cargador no es un juguete. Debe ser operado únicamente por un adulto.
- No opere el cargador cerca de materiales inflamables o de una llama abierta.
- Desenchufe el cargador y desconéctelo del producto cuando no esté en uso.
- No exceda el tiempo de carga.
- Desconecte siempre el producto del punto de carga antes de limpiarlo o pasarle un paño húmedo.

Garantía Limitada:

Esta garantía limitada es la única garantía para el presente producto. No existe ninguna otra garantía explícita o implícita. El fabricante garantiza que este producto está libre de defectos de fabricación durante un periodo de 90 días a partir de la fecha de compra. Esta garantía se anulará, cuando en algún momento el producto:

- se utilice con otros fines que no sean recreativos o de transporte;
- se modifique de alguna forma;
- se alquile.



**CONTIENE UNA BATERÍA SELLADA A PRUEBA DE DERRAMES CON PLOMO-ACIDO.
LAS BATERÍAS DEBEN RECICLARSE.**

⚠️ WARNUNG. Um ernsthafte Verletzungen zu vermeiden: SICHERHEITSVORKEHRUNGEN bei Betrieb und Wartung Eltern/erwachsene Aufsichtspersonen – erst diese Seite lesen



ELTERN/ERWACHSENE AUFSICHTSPERSONEN MÜSSEN KINDER IN DIE SICHERE FAHRWEISE DES PRODUKTS EINWEISEN. Werden diese Warnhinweise sowie die allgemein üblichen Vorsichtsmaßnahmen vom Benutzer nicht befolgt, besteht eine erhöhte Gefahr von Beschädigungen und schweren Verletzungen, u. U. mit Todesfolge.

Das Fahren mit diesem Produkt birgt ein Risiko in sich.

- Wie jedes Fahrzeug kann auch dieses Produkt gefährlich sein (z.B. Herunterfallen oder damit in eine gefährliche Situation geraten). Dieses Produkt ist selbstverständlich zur Fortbewegung gedacht. Daher ist es möglich, dass der Fahrer die Kontrolle verlieren oder anderweitig in gefährliche Situationen geraten kann.
- Sowohl Kindern als auch den für ihre Beaufsichtigung verantwortlichen Erwachsenen muss es klar sein, dass der Fahrer in solchen Fällen schwere Verletzungen, u.U. mit Todesfolge, erleiden kann – selbst wenn Sicherheitsausrüstung verwendet wird und andere Sicherheitsvorkehrungen getroffen werden.

FAHREN AUF EIGENE GEFAHR. VERNUNFT WALTEN LASSEN.

Verantwortungsbewusstsein von und Beaufsichtigung durch Eltern und Erwachsene sind notwendig

Weil das Produkt gefährlich sein kann und nicht jedes Produkt für Kinder jeder Körpergröße bzw. in jedem Alter geeignet ist, sind in dieser Produktgruppe unterschiedliche Altersempfehlungen vorhanden, welche die Gefahrenarten und die zu erwartende geistigen und/oder körperlichen Fähigkeiten eines Kindes im Umgang mit diesen Gefahren berücksichtigen. Eltern und beaufsichtigende Erwachsene müssen Produkte aussuchen, die für das Alter des das Produkt nutzenden Kindes geeignet sind, und dafür sorgen, dass Kinder, die möglicherweise für die Merkmale eines Produkts zu unreif oder zu un erfahren sind, sich in dessen Umgebung nicht gefährden können.

- Für das Fahren mit diesem Produkt empfehlen wir ein Mindestalter von 7 Jahren. Jeder Benutzer, der – selbst im Alter von 7 Jahren und älter – keine bequeme Sitzposition im Produkt finden kann, darf nicht versuchen, es zu fahren. Die elterliche Entscheidung, einem Kind das Fahren mit diesem Produkt zu erlauben, hat auf der Reife, der Geschicklichkeit und der Fähigkeit des Kindes, Anweisungen zu befolgen, zu beruhen. Sorgen Sie dafür, dass dieses Produkt kleinen Kindern nicht zugänglich ist, und denken Sie daran, dass das Produkt nur von solchen Personen bestimmungsgemäß benutzt werden kann, die dessen Bedienung und den Umgang damit beherrschen.
- Höchstgewicht des Benutzers: 50 kg
- Personen mit geistigen oder körperlichen Zuständen, durch die sie verletzungsgefährdet oder in ihrer körperlichen Geschicklichkeit oder geistigen Fähigkeiten darin behindert sind, Sicherheitsanweisungen zu erkennen, zu verstehen und zu befolgen sowie die der Benutzung des MX125/SX125 innewohnenden Gefahren zu verstehen, dürfen derartige, für ihre Fähigkeiten ungeeigneten Produkte nicht benutzen bzw. nicht die Erlaubnis zu deren Benutzung erhalten. Personen mit Herzerkrankungen, Kopf-, Rücken- oder Nackenbeschwerden (oder vorangegangenen chirurgischen Eingriffen in diesen Bereichen) sowie Schwangere sollten darauf hingewiesen werden, derartige Produkte nicht zu benutzen.

MX125/SX125 vor der Verwendung kontrollieren – nach der Benutzung warten

- Überzeugen Sie sich vor dem Gebrauch, dass alle Schutzbleche und Abdeckungen vorhanden und gebrauchsfähig sind, dass die Bremsen ordnungsgemäß funktionieren und dass die Reifen richtig aufgepumpt sind und genügend Profil haben.
- Das Produkt nach Gebrauch entsprechend den Herstelleranweisungen in diesem Handbuch warten und reparieren. Nur die vom Hersteller autorisierten Ersatzteile verwenden. Die ursprüngliche Auslegung und Ausführung des Produkts vom Hersteller nicht verändern.

Zulässige Fahrpraktiken und Bedingungen – Eltern/Erwachsene haben diese Regeln mit ihren Kindern zu besprechen. Tragen von Schutzausrüstung empfohlen. Keine Benutzung im Straßenverkehr!

Benutzungsorte

- Sich stets erkundigen, wo das Produkt entsprechend den örtlich geltenden Gesetzen und Vorschriften benutzt werden darf und diese befolgen. Stets einen sicheren Abstand zu Autos und zum Straßenverkehr wahren und das Produkt nur an erlaubten Stellen mit Vorsicht benutzen.
- Dieses Produkt darf nicht auf öffentlichen Straßen oder Gehwegen, sondern nur auf Privatgrundstücken benutzt werden. Vermeiden Sie Bereiche mit Fußgänger- oder Fahrzeugverkehr.
- Defensiv verhalten. Auf Fußgänger, Skater, Skateboarder, Scooter, Fahrräder, Kinder und Tiere achten, die im Weg sein können. Die Rechte und das Eigentum anderer respektieren.
- Das Produkt ist zur Verwendung auf horizontalen, trockenen Flächen wie Straßenpflaster oder ebenem Boden ohne lockeres Material wie Sand, Blätter, Steine oder Kies bestimmt.
- Auf nassen, rutschigen, holprigen, unebenen oder rauen Flächen verringert sich die Traktion, und das Unfallrisiko ist höher.
- Das Produkt nicht durch Matsch, Eis, Pfützen oder Wasser fahren.
- Ausschau nach potenziellen Hindernissen halten, die sich im Rad fangen, zum plötzlichen Ausweichen zwingen oder Verlust der Kontrolle zur Folge haben können.
- Steile Bodenwellen, Abwassergitter und plötzliche Oberflächenwechsel vermeiden.
- Das Produkt nicht bei nassem Wetter oder Eis fahren und es nie unter Wasser setzen, da dies die Elektro- und Antriebskomponenten beschädigen oder unsicher machen kann.
- Das Produkt nicht in Räumen benutzen, da dadurch Teppich oder andere Bodenbeläge beschädigt werden können.
- Nie in der Nähe von Treppenstufen oder Schwimmbecken benutzen.



Fahranleitung

- Das Geschwindigkeitsbedienelement (den Gasdrehgriff) am Handgriff erst bedienen, wenn Sie ganz auf dem MX125/SX125 sitzen und sich draußen in einer sicheren, zum Fahren geeigneten Umgebung befinden.
- Sich beim Fahren stets mit den Händen an der Lenkstange festhalten.
- Beim Benutzen und danach weder die Bremse, noch den Motor berühren, da diese Teile sehr heiß werden.
- Hohe Geschwindigkeiten wie z.B. auf Bergabfahrten vermeiden, da Sie die Kontrolle verlieren können.
- Nachts bzw. bei beschränkter Sicht nicht fahren.
- Auf dem Produkt keine Stunts und Tricks versuchen bzw. ausführen. Das Produkt ist nicht stabil genug, solchen Missbrauch wie Sprünge, Grinds oder sonstige Stunts auszuhalten. Wettrennen, Stunts und sonstige Manöver erhöhen auch das Risiko, die Kontrolle zu verlieren. Sie können auch zu unkontrollierten Handlungen und Reaktionen des Benutzers führen. All dies kann in schweren Verletzungen, u. U. mit Todesfolge, resultieren.
- Mit dem Produkt darf stets nur eine Person fahren.
- Dafür sorgen, dass Hände, Füße, Haare, Körperteile, Kleidung oder Ähnliches nicht in Kontakt mit sich bewegenden Teilen, Rädern oder dem Antriebsstrang kommen.
- Beim Fahren nie Kopfhörer oder Handys benutzen.
- Sich nie an einem anderen Fahrzeug anhängen.

Vorschriftsmässige ausrüstung, kleidung, schuhe zum fahren

- Stets vorschriftsmässige Schutzausrüstung wie z.B. einen zugelassenen Sturzhelm (mit fest angezogenem Riemen), Ellbogen- und Knieschützer tragen. Bei Ihnen kann durch örtlich geltendes Recht oder eine Vorschrift ein Helm gesetzlich vorgeschrieben sein. Außerdem sind ein langärmeliges Hemd, lange Hosen und Handschuhe empfehlenswert.
- Stets Turnschuhe (geschnürt und mit Gummi-sohlen) tragen, nie barfuß oder in Sandalen fahren, und die Schnürsenkel verschnürt und außerhalb der Reichweite von Rädern, Motor und Antriebssystem halten.

Funktion des ladegeräts

- Die elektrische Anlage nie modifizieren! Änderungen können zu Bränden führen. Bei Verwendung eines falschen Batterietyps besteht Explosionsgefahr.
- VOR JEDEM GEBRAUCH: Batterie vor jedem Gebrauch mindestens 12 Stunden laden und Reifen auf den richtigen Druck aufpumpen.
- Nach dem Fahren stets abschalten. Wenn die Batterie ohne Benutzung angelassen wird, kann sie eventuell nicht wieder geladen werden.
- NICHT bei Temperaturen unter dem Gefrierpunkt lagern! Dadurch wird die Batterie zerstört.
- Das mit dem Produkt mitgelieferte Ladegerät ist regelmäßig auf Beschädigungen an Kabel, Stecker, Gehäuse und sonstigen Teilen zu kontrollieren. Im Falle solcher Beschädigungen das Produkt erst wieder laden, wenn das Ladegerät repariert oder ersetzt ist.
- Nur ein von Razor empfohlenes Ladegerät verwenden.
- Das Ladegerät ist kein Spielzeug; es darf nur von Erwachsenen bedient werden.
- Ladegerät nicht in der Nähe brennbarer Materialien oder von offenem Feuer betreiben.
- Netzstecker des Ladegeräts ziehen und das Ladekabel vom Produkt trennen, wenn das Ladegerät nicht im Gebrauch ist.
- Ladezeit nicht überschreiten.
- Bevor das Produkt abgewischt oder mit einem feuchten Tuch gereinigt wird, muss das Ladegerät vom Produkt getrennt werden.

Begrenzte Gewährleistung:

Diese begrenzte Gewährleistung ist die einzige Gewährleistung für das Produkt. Es gibt keine weitere ausdrückliche oder stillschweigende Gewährleistung. Der Hersteller gewährleistet 90 Tage lang ab Kaufdatum, dass dieses Produkt frei von Herstellungsmängeln ist. Ein Verlust dieser begrenzten Gewährleistung ergibt sich falls dieses Produkt niemals:

- zu einem anderen Zweck als dem der Freizeitbeschäftigung oder des Transports genutzt wird;
- wie auch immer modifiziert wird;
- bei Verleih.



**ENTHÄLT EINE VERSIEGELTE AUSLAUFGESCHÜTZTE BLEISÄUREBATTERIE.
BATTERIEN MÜSSEN RECYCLET WERDEN.**



⚠ AVVERTENZE. Consigli per evitare di incorrere in lesioni gravi:
PRECAUZIONI da seguire per il corretto funzionamento e la manutenzione
 I genitori/adulti devono leggere prima questa pagina

I GENITORI/GLI ADULTI DEVONO INSEGNARE AI BAMBINI COME GUIDARE IN SICUREZZA QUESTO PRODOTTO. Se il guidatore manca di buon senso e non tiene conto di queste avvertenze aumenta il rischio di incorrere in danni, lesioni personali fino ad arrivare al decesso.

Guidare questo prodotto presenta rischi potenziali.

- Come ogni mezzo in movimento, questo prodotto può rivelarsi pericoloso (ad esempio cadere o guidare in una condizione di pericolo). Questo prodotto è, ovviamente, progettato per il movimento ed è quindi possibile che il guidatore possa perdere il controllo o incorrere in situazioni di pericolo.
- Sia i bambini che gli adulti, preposti alla loro supervisione, devono essere consapevoli che se si verifica una di queste condizioni, il guidatore può ferirsi gravemente o perfino morire anche se si indossano gli opportuni indumenti protettivi e si sono prese le dovute precauzioni.

GUIDARE IL PRODOTTO A PROPRIO RISCHIO E PERICOLO E USANDO IL BUONSENSO.

La supervisione e la responsabilità dei genitori e degli adulti sono necessarie

Poiché questo prodotto può rivelarsi pericoloso e non tutti i prodotti sono adatti alle varie età o al diverso peso dei bambini, in questa categoria di prodotti sono indicate le avvertenze per le diverse età allo scopo di riflettere al meglio la natura dei pericoli e l'abilità auspicabile mentale o fisica, o entrambe, di un bambino di affrontare i pericoli. I genitori e gli adulti preposti alla supervisione, devono scegliere prodotti in movimento adatti all'età del bambino che guiderà questo prodotto e assicurarsi anche il bambino abbia l'esperienza e la maturità necessarie alle caratteristiche di un determinato prodotto per evitare di mettere a repentaglio la sua incolumità.

- **L'età minima consigliata per guidare questo prodotto è di 7 anni. È vivamente sconsigliato l'utilizzo di questo prodotto a qualsiasi guidatore, anche se di età superiore agli 7 anni, che non riesca a prendere comodamente posto su di esso. Il consenso dei genitori all'impiego del veicolo da parte dei bambini dovrebbe basarsi sulla valutazione della loro maturità, abilità e capacità nel seguire le regole. Tenere questo prodotto fuori dalla portata dei bambini piccoli e ricordare che questo prodotto è inteso esclusivamente per l'uso delle persone che si sentono, come minimo, completamente a proprio agio e abili nell'uso di questo prodotto.**
- **Peso massimo del guidatore 50 kg**
- **Persone che soffrono di problemi fisici o mentali, che potrebbero incorrere in lesioni personali o pregiudicare la propria abilità fisica o capacità mentale di riconoscere, comprendere e seguire le istruzioni di sicurezza con i rischi potenziali inerenti all'uso del MX125/SX125, non devono usare, o deve essere loro impedito di usare questi prodotti non adatti alle loro capacità. Persone affette da problemi cardiaci, disturbi a testa, schiena o collo (o che sono state sottoposte a interventi chirurgici in queste zone del corpo in passato), o donne in gravidanza devono essere avvertite di non usare questi prodotti.**

Controllare il MX125/SX125 prima dell'uso - Effettuare la manutenzione dopo l'uso

- Prima dell'uso, assicurarsi che tutti i copricatena e le altre coperture o protezioni siano a posto ed efficienti, che il freno funzioni in modo corretto e che gli pneumatici siano debitamente gonfiati e ci sia sufficiente battistrada.
- Dopo l'uso, effettuare le dovute operazioni di manutenzione e riparazione di questo prodotto seguendo le istruzioni del produttore indicate nel presente manuale. Utilizzare solo pezzi di ricambio autorizzati dal produttore. Non modificare il design e la struttura originale del produttore di questo prodotto.

Pratiche e condizioni di guida accettabili – I genitori/gli adulti devono informare i propri figli di queste indicazioni. Consigliamo di indossare sempre gli opportuni indumenti protettivi. Da non usare nel traffico.

Dove guidare

- Controllare e rispettare sempre le leggi e le normative locali che potrebbero interessare i luoghi in cui questo prodotto è utilizzato. Tenersi sempre lontano dal traffico di autovetture e veicoli a motore e utilizzare solo dove permesso e con prudenza.
- Questo prodotto è destinato ad essere utilizzato su proprietà private e circuiti chiusi e non su strade pubbliche o marciapiedi. Non guidare il prodotto elettrico in zone dove sono presenti pedoni o c'è traffico di veicoli.
- Guidare con prudenza. Fare attenzione a evitare pedoni, pattinatori, monopattini, motorini, biciclette, bambini o animali che potrebbero trovarsi sul percorso. Rispettare i diritti e le proprietà altrui.
- Questo prodotto è progettato per l'utilizzo su superfici piane e asciutte come pavimentazione o terreno piano privo di detriti come sabbia, foglie, pietre o ghiaia.
- Le superfici bagnate, scivolose, accidentate, irregolari o ruvide possono diminuire la trazione e aumentare il rischio di incidenti.
- Non guidare questo prodotto su fango, ghiaccio, pozzanghere o acqua.
- Fare attenzione agli ostacoli potenziali che potrebbero impigliarsi nelle ruote o obbligare a sterzare improvvisamente o a perdere il controllo.
- Evitare dossi irregolari, griglie per il drenaggio e cambi improvvisi di superficie.
- Non guidare questo prodotto quando piove o la temperatura esterna è gelida e non immergere mai questo prodotto in acqua, poiché i componenti elettrici e di guida potrebbero essere danneggiati dall'acqua o generare altre condizioni pericolose.
- Evitare di danneggiare superfici come tappeti o pavimenti utilizzando questo prodotto in ambienti al chiuso.
- Non utilizzare in prossimità di gradini o piscine.

Come guidare

- Controllare e rispettare sempre le leggi e normative locali che potrebbero interessare i luoghi in cui il MX125/SX125 elettrico è utilizzato. Tenersi sempre lontano dal traffico di autovetture e veicoli a motore e utilizzare solo dove permesso e con prudenza.
- Tenere sempre le mani sul manubrio alla guida.
- Non toccare il freno o il motore del prodotto quando è in funzione o subito dopo una corsa perché la loro temperatura potrebbe essere troppo elevata.
- Evitare le alte velocità come le corse in discesa dov'è possibile perdere il controllo.
- Non utilizzare di notte o quando la visibilità è limitata.
- Non cercare di guidare in modo spericolato o fare acrobazie sul prodotto. Il prodotto non è abbastanza resistente per l'uso scorretto o il cattivo uso causato da salti, cordoli o da qualsiasi altro tipo di guida spericolata. Anche la corsa, la guida spericolata e altre manovre aumentano il rischio di perdita del controllo o possono provocare azioni o reazioni incontrollate da parte del guidatore. Tutto questo può provocare gravi lesioni o condurre alla morte.
- Non consentire mai l'utilizzo di questo prodotto a più bambini contemporaneamente.
- Fare attenzione affinché mani, piedi, parti del corpo, abbigliamento o similari non entrino in contatto con parti in movimento, ruote e gruppo motore.
- Non utilizzare cuffie o telefoni cellulari alla guida.
- Non gareggiare con altri veicoli.

Equipaggiamento alla guida, abbigliamento, scarpe adatte

- Indossare sempre l'equipaggiamento protettivo, come un casco di sicurezza omologato (con il sottogola debitamente allacciato), gomitiere e ginocchiere. L'utilizzo del casco può essere richiesto da leggi o regolamenti locali della vostra zona. Inoltre, si raccomanda l'uso di una maglietta a maniche lunghe, pantaloni lunghi e guanti.
- Indossare sempre le scarpe di ginnastica (scarpe allacciate con soles in gomma), non guidare a piedi nudi o con i sandali e tenere i lacci delle scarpe sempre legati e lontani dalle ruote, dal motore e dal sistema di trasmissione.

Utilizzo del caricabatteria

- Non modificare il sistema elettrico. Le modifiche potrebbero causare incendi. L'utilizzo di una batteria o di un caricabatteria non adatto potrebbe provocare un'esplosione.
- PRIMA DI OGNI UTILIZZO: Caricare la batteria per ALMENO 12 ore prima di ogni utilizzo e gonfiare gli pneumatici secondo la corretta pressione in PSI.
- Spegnerne dopo ogni corsa. La batteria potrebbe non caricarsi se non utilizzata.
- NON conservare a temperature uguali o sotto lo zero! Temperature uguali o sotto lo zero danneggiano irrimediabilmente la batteria.
- Il caricabatteria fornito con questo prodotto deve essere controllato periodicamente per rilevare eventuali danni del cavo, della spina, dell'involucro e di altre parti e, in caso di danneggiamento, il prodotto non deve essere caricato fino ad avvenuta riparazione o sostituzione del caricabatteria.
- Utilizzare solo il caricabatteria consigliato da Razor.
- Il caricabatteria non è un giocattolo. Il caricabatteria deve essere utilizzato solo da un adulto.
- Non utilizzare il caricabatteria in prossimità di materiali infiammabili o di fiamme aperte.
- Rimuovere il caricabatteria e scollegarlo dal prodotto quando non viene utilizzato.
- Non superare il tempo di ricarica richiesto.
- Disconnettere sempre il caricabatteria prima di effettuare le operazioni di pulizia del prodotto con un panno umido.

Garanzia Limitata:

Questa garanzia limitata è l'unica garanzia per questo prodotto. Non esiste nessun'altra garanzia esplicita o implicita. Il produttore garantisce che questo prodotto è privo di difetti di produzione per un periodo di 90 giorni dalla data di acquisto. Questa Garanzia Limitata sarà invalidata se il prodotto è:

- utilizzato per scopi diversi dal divertimento o dal trasporto;
- modificato in qualsiasi sua parte;
- prestato.



**CONTIENE UNA BATTERIA AL PIOMBO-ACIDO ERMETICA.
LE BATTERIE DEVONO ESSERE RICICLATE.**



WAARSCHUWING Zo kun je ernstig letsel voorkomen:
VEILIGHEIDSMATREGELEN tijdens gebruik en onderhoud
 Ouders en volwassen begeleiders moeten eerst deze pagina lezen



OUDERS EN VOLWASSEN BEGELEIDERS MOETEN KINDEREN UITLEGGEN HOE ZE VEILIG MET DIT PRODUCT KUNNEN RIJDEN.
 Als de berijder niet zijn/haar gezond verstand gebruikt en niet deze waarschuwingen in acht neemt, is er een grotere kans op beschadigingen en ernstig of zelfs dodelijk letsel.

Rijden op dit product brengt mogelijke risico's met zich mee.

- Zoals voor elk product waarmee wordt gereden geldt, kan ook dit product gevaarlijk zijn (bijvoorbeeld door er vanaf te vallen of ermee verzeild te raken in een gevaarlijke situatie). Dit product is uiteraard bedoeld om er mee te rijden en dus bestaat er altijd de kans dat de berijder de controle verliest of op een andere manier in een gevaarlijke situatie belandt.
- tZowel kinderen als de volwassenen die voor hen verantwoordelijk zijn, moeten inzien dat de bestuurder ernstig of zelfs dodelijk letsel kan oplopen als zoiets gebeurt, zelfs als hij/zij beschermers gebruikt of andere veiligheidsmaatregelen heeft getroffen.

GEBRUIK VAN DIT PRODUCT IS VOOR EIGEN RISICO EN GEBRUIK DAARBIJ GEZOND VERSTAND.

Toezicht door ouders of andere verantwoordelijke volwassenen is noodzakelijk

Omdat dit product gevaarlijk kan zijn en niet elk product geschikt is voor kinderen van alle leeftijden en grootte, worden bij dit soort producten aanbevelingen voor verschillende leeftijden geleverd. Deze zijn bedoeld om de aard van de gevaren duidelijk te maken, evenals de geestelijke en/of lichamelijke vaardigheden die een kind moet bezitten om met deze gevaren om te gaan. Ouders en volwassen begeleiders moeten een product kiezen dat geschikt is voor de leeftijd van het kind voor wie het is bestemd en moeten voorkomen dat kinderen die mogelijk nog te jong of onervaren zijn om het product te gebruiken zichzelf in gevaar brengen.

- De aanbevolen leeftijd voor het berijden van dit product is 7 jaar en ouder. Ieder kind, ook al is het 7 jaar of ouder, dat niet goed op dit product past, moet NIET proberen er op te rijden. Ouders moeten hun beslissing om een kind op dit product te laten rijden baseren op de leeftijd, de vaardigheden en het vermogen om regels op te volgen van het kind. Houd dit product uit de buurt van kleine kinderen en vergeet niet dat het alleen mag worden gebruikt door personen die zich in ieder geval volledig comfortabel voelen en over de vereiste vaardigheden beschikken bij gebruik van dit product.
- Maximumgewicht 50 kg
- Personen met een geestelijke of lichamelijke beperking die daardoor extra vatbaar zijn voor letsel, daardoor een geringere lichamelijke behendigheid hebben of een geringer geestelijk vermogen om veiligheidsinstructies in te zien, te begrijpen en op te volgen en niet kunnen begrijpen welke gevaren inherent zijn aan het gebruik van de MX125/SX125, mogen producten die niet in overeenstemming zijn met hun vermogens niet gebruiken en daarvoor dus ook geen toestemming krijgen. Personen met hartaandoeningen, of hoofd-, rug- of nekletsel (of waarbij eerder medische ingrepen zijn verricht aan deze lichaamsdelen), of zwangere vrouwen, wordt afgeraden dergelijke producten te gebruiken.

Controleer de MX125/SX125 voorafgaand aan gebruik – voer het nodige onderhoud uit na gebruik

- Controleer vóór gebruik of alle kettingbeschermers en andere kappen of beschermers aanwezig zijn en in bruikbare staat verkeren. Controleer ook of de rem goed werkt en of de banden op spanning zijn en nog voldoende profiel hebben.
- Onderhoud en repareer dit product na gebruik in overeenstemming met de specificaties van de fabrikant in deze handleiding. Gebruik uitsluitend vervangingsonderdelen die door de fabrikant zijn goedgekeurd. Verander nooit iets aan dit product waardoor het originele ontwerp en de originele samenstelling van de fabrikant worden gewijzigd.

Toegestane manier van besturen en omstandigheden voor gebruik – ouders/volwassenen moeten deze regels met hun kinderen bespreken. Draag altijd beschermers. Niet in het verkeer gebruiken.

Waar er wel en waar er niet gereden kan worden

- Verifieer altijd de lokale wetten en regelgeving m.b.t. de plaatsen waar dit product mag worden gebruikt en neem die in acht. Blijf altijd op veilige afstand van auto's en andere motorvoertuigen, gebruik het product alleen waar dat mag en wees voorzichtig.
- Dit product is bedoeld voor gebruik op particulier terrein of op gesloten parcoursen en niet voor gebruik op de openbare weg of op trottoirs. Bestuur het elektrische product niet op plaatsen waar voetgangers of voertuigen aanwezig zijn.
- Rijd defensief. Let goed op, zodat je voetgangers, skaters, skateboarders, andere steps, fietsen, kinderen of dieren kunt ontwijken die op je pad komen. Respecteer de rechten en eigendommen van anderen.
- Dit product is bedoeld voor gebruik op vlakke, droge oppervlakken, zoals trottoirs of andere vlakke ondergronden, waarop zich geen los materiaal (zoals stenen, bladeren, grind of zand) bevindt.
- Op natte, gladde, hobbelige, ongelijkmatige of ruwe oppervlakken hebben de banden mogelijk minder grip, waardoor de kans op ongelukken groter is.
- Rijd nooit met dit product in modder, op ijs, door plassen of in water.
- Let goed op mogelijke obstakels waar het wiel aan kan blijven haken of waardoor je plotseling moet uitwijken of de controle kan verliezen.
- Rijd niet over scherpe hobbels, drainageroosters en plotselinge wijzigingen van het grondoppervlak.
- Rijd niet met dit product in nat weer of bij vorst en dompel dit product nooit onder in water. De elektrische componenten en de aandrijvingsonderdelen kunnen door water worden beschadigd en er kunnen andere, mogelijk gevaarlijke omstandigheden door ontstaan.
- Gebruik dit product nooit binnenshuis; hierdoor kan de vloerbedekking worden beschadigd.
- Gebruik de step nooit in de buurt van trappen of zwembaden.



Hoe er gereden kan worden

- Gebruik de snelheidsregeling (draaihandgreep voor gas geven) alleen wanneer je helemaal op de MX125/SX125 zit en buiten bent in een veilige omgeving die geschikt is om erin te rijden.
- Hou tijdens het rijden altijd de handgrepen vast.
- Raak de rem of de motor van het product niet aan tijdens of direct na gebruik; deze onderdelen kunnen zeer heet worden.
- Vermijd hoge snelheden, zoals bij het omlaag rijden van een heuvel. De kans bestaat dat je de controle verliest.
- Rijd niet 's nachts of bij slecht zicht.
- Probeer geen stunts of kunstjes te doen met het product. Het product is niet sterk genoeg om verkeerd gebruik of misbruik, zoals springen, rijden op stoerpranden of andere stunts te kunnen weerstaan. Ook bestaat bij racen en het doen van kunstjes of andere manoeuvres de kans dat je de controle verliest of kunnen hierbij ongecontroleerde acties of reacties van de berijder optreden. Deze kunnen allemaal ernstig of zelfs dodelijk letsel als gevolg hebben.
- Er mag nooit meer dan één persoon tegelijk op dit product rijden.
- Voorkom dat handen, voeten, haar, andere lichaamsdelen, kleding of vergelijkbare voorwerpen in contact komen met bewegende delen, de wielen of de aandrijfjas.
- Gebruik nooit een hoofdtelefoon of een mobieltje tijdens het rijden.
- Laat je nooit voorttrekken door een ander voertuig.

De juiste beschermers, kleding en schoenen voor het rijden

- Draag altijd geschikte beschermers, zoals een goedgekeurde veiligheidshelm (met een kinband met vergrendeling) en elleboog- en kniestukken. Het is mogelijk dat je wettelijk verplicht bent een veiligheidshelm te dragen. Verder raden we aan een shirt met lange mouwen, een lange broek en handschoenen te dragen.
- Draag altijd sportschoenen (met veters en rubberzolen), rijd nooit blootsvoets of met sandalen en knoop je veters goed vast, zodat ze niet verstrikt kunnen raken in de wielen, de motor of het aandrijfsysteem.

De oplader gebruiken

- Het elektrisch systeem mag niet worden aangepast. Wijzigingen kunnen brand veroorzaken. Het verkeerde type batterij of oplader kan een explosie veroorzaken.
- VOOR IEDER GEBRUIK: Laad de accu MINIMAAL 12 uur op en pomp de banden op tot de juiste druk.
- Na ieder gebruik uitzetten. Als u dat niet doet, kan de accu mogelijk niet worden opgeladen.
- NIET bewaren op plekken waar het heel koud is of vriest! De accu kan dan namelijk blijvende schade oplopen.
- De oplader die bij dit product wordt geleverd, moet regelmatig worden gecontroleerd op beschadigingen van het snoer, de stekker, de behuizing en andere onderdelen. Mocht er sprake zijn van dergelijke beschadigingen, mag het product pas worden opgeladen nadat de oplader is gerepareerd of vervangen.
- Gebruik uitsluitend een oplader die door Razor wordt aanbevolen.
- De oplader is geen speelgoed. De oplader mag alleen door volwassenen worden gebruikt.
- Gebruik de oplader nooit in de buurt van brandbare materialen of open vuur.
- Haal de stekker van de oplader uit het stopcontact en koppel de oplader los van het product wanneer dit buiten gebruik is.
- Overschrijd de voorgeschreven oplaadtijd niet.
- Koppel de oplader altijd los van het product alvorens het af te wegen of met een vochtige doek schoon te maken.

Beperkte garantie:

Deze beperkte garantie is de enige garantie voor dit product. Er is geen andere uitdrukkelijke of impliciete garantie.

De fabrikant geeft vanaf de datum van aankoop 90 dagen garantie op eventuele productiefouten.

De geldigheid van deze beperkte garantie vervalt als het product:

- voor iets anders wordt gebruikt dan recreatie of transport;
- op de een of andere manier wordt aangepast;
- wordt verhuurd.



**BEVAT EEN AFGESLOTEN, LEKVRIJE ACCU OP BASIS VAN LOODZWAVELZUUR.
BATTERIJEN MOETEN WORDEN GERECYCLED.**

⚠️ AVISO: Para evitar ferimentos graves:
PRECAUÇÕES DE SEGURANÇA durante a operação e a manutenção
Pais/adultos responsáveis leiam primeiro esta página

OS PAIS/ADULTOS RESPONSÁVEIS TÊM QUE ENSINAR AS CRIANÇAS A ANDAR EM SEGURANÇA NESTE PRODUTO. Se o utilizador não usar o bom senso e desprezar estes avisos, aumenta o risco de danos, ferimentos graves ou até de morte.

Andar neste produto envolve potenciais riscos.

- Como qualquer produto móvel, este também pode ser perigoso (por exemplo causar quedas ou a utilização numa situação perigosa). Este produto destina-se, naturalmente, a deslocar-se e é por isso possível que o utilizador perca o controlo ou se envolva, de outra forma, em situações perigosas.
- As crianças e os adultos responsáveis pela sua supervisão devem reconhecer que se tais situações se verificarem, o utilizador pode ferir-se gravemente e até morrer mesmo se usar equipamento de segurança e tomar outras precauções de segurança.

USE POR SUA CONTA E RISCO E TENHA BOM SENSO.

É necessária a responsabilidade e supervisão dos pais e de adultos

Uma vez que este produto pode ser perigoso e nem todos os produtos são apropriados para todas as idades e tamanho das crianças – nesta categoria de produto encontram-se recomendações para diferentes idades, que se destinam a reflectir a natureza dos perigos e as capacidades mentais e físicas, ou ambas, esperadas de uma criança para lidar com os perigos. Os pais e os adultos responsáveis devem seleccionar o s produtos apropriados para a idade da criança que vai andar no produto e ter cuidado para evitar que crianças que possam ser muito imaturas ou inexperientes para as características do produto se coloquem em perigo perto dele.

- A idade recomendada para andar neste produto é de 7 anos ou mais. Qualquer utilizador, mesmo com 7 anos de idade ou mais velho, que não se adapte confortavelmente ao produto, não deve tentar andar nele. A decisão dos pais para permitir que os filhos andem neste produto deve basear-se na maturidade da criança, na sua habilidade e capacidade para seguir regras. Mantenha este produto afastado de crianças pequenas e lembre-se que ele se destina a ser usado apenas por pessoas que estão, no mínimo, totalmente à vontade e apresentam competência durante a utilização deste produto.
- O peso máximo do utilizador é de 50 kg.
- Pessoas que apresentem condições mentais ou físicas que as tornem susceptíveis a lesões ou que impeçam a sua destreza física ou mental para reconhecer, entender e seguir as instruções de segurança e ter capacidade para compreender os perigos inerentes à utilização do produto MX125/SX125 não devem usar ou ter permissão para usar produtos que não sejam adequados às suas capacidades. Pessoas que sofram de problemas cardíacos, de desordens psíquicas ou de problemas na coluna, pescoço (ou que tenham sido submetidas anteriormente a cirurgias nas referidas zonas do corpo), ou mulheres grávidas, devem ser advertidas para não usar tais produtos.

Verificar a MX125/SX125 antes da utilização – manutenção após a utilização.

- Antes da utilização, confirme que todas as proteções de correntes ou outras tampas ou proteções estão no lugar e em condições de utilização, que o travão está a funcionar corretamente e que os pneus estão bem cheios e têm rasto suficiente.
- Após a utilização, proceda à manutenção e repare este produto de acordo com as especificações dadas neste manual. Use apenas as peças de substituição autorizadas pelo fabricante. Não modifique a concepção e a configuração originais do fabricante.

Práticas e condições aceitáveis de utilização – Pais/adultos devem discutir estas regras com os seus filhos.

Deve ser usado equipamento de protecção. Não utilizar na via pública.

Onde usar

- Verifique sempre e obedeça às leis ou regulamentos locais que possam afectar os locais onde este produto pode ser usado. Mantenha sempre uma distância segura de automóveis e do tráfego de veículos a motor e utilize apenas em locais permitidos e com precaução.
- Este produto destina-se a ser utilizado em propriedade privada e em campos fechados e não em estradas públicas ou passeios. Não utilize o produto eléctrico em áreas com tráfego de peões ou veículos.
- Ande com cuidado. Tenha cuidado para evitar peões, utilizadores de skate, ciclistas, crianças ou animais que possam atravessar-se no seu caminho. Respeite os direitos e a propriedade dos outros.
- Este produto destina-se a ser usado em superfícies planas e secas, tal como pavimento ou terreno nivelado sem materiais soltos tais como areia, pedras ou gravilha).
- Superfícies molhadas, lisas, irregulares ou ásperas podem diminuir a tracção e aumentar o risco de acidentes.
- Não ande com este produto na lama, gelo ou poças de água.
- Tenha cuidado com potenciais obstáculos que possam prender a roda ou fazê-lo desviar-se repentinamente ou perder o controlo.
- Evite colisões bruscas, grelhas de escoamento e mudanças súbitas de superfície.
- Não ande neste produto com chuva ou gelo e nunca o mergulhe em água, porque os componentes eléctricos e motores podem ficar danificados pela água ou criar outras condições eventualmente pouco seguras.
- Nunca ande neste produto dentro de casa correndo o risco de danificar superfícies tais como tapetes ou o pavimento.
- Nunca ande próximo de degraus ou piscinas.



Como usar

- Não use o controlo de velocidade (manípulo do acelerador) no punho se não estiver em cima da MX125/SX125 e num local seguro e adequado no exterior para se deslocar.
- Segure sempre o guiador quando se deslocar.
- Não toque no travão ou no motor no produto enquanto o estiver a usar ou imediatamente a seguir a ter andado porque estes componentes podem estar muito quentes.
- Evite velocidades elevadas que poderão ser atingidas em descidas onde poderá perder o controlo.
- Não ande de noite ou quando a visibilidade for reduzida.
- Não tente ou faça acrobacias ou habilidades no produto. O produto não é suficientemente resistente para suportar a utilização incorrecta e abusiva tal como saltos, derrapagens ou outro tipo de acrobacias. Fazer corridas, acrobacias ou outras manobras também pode aumentar o risco de perda de controlo ou dar origem a actos e reacções descontrolados. Todos estes actos podem resultar em ferimentos graves ou possivelmente a morte.
- Não permita a presença de mais do que uma pessoa neste produto.
- Não deixe que as mãos, pés, partes do corpo, vestuário ou outros artigos semelhantes entrem em contacto com peças móveis, rodas ou a transmissão.
- Nunca utilize auscultadores ou telemóveis quando andarno produto.
- Nunca ande à boleia de outro veículo.

Equipamento, vestuário e sapatos adequados

- Use sempre equipamento de protecção adequado, como um capacete de segurança aprovado (com a tira do queixo bem apertada), cotoveleiras e joelheiras. Na sua área, a legislação ou a regulamentação local pode exigir a utilização de capacete. Além disso, recomenda-se o uso de camisolas de manga comprida, calças compridas e luvas.
- Use sempre calçado desportivo (sapatos com atacadores com sola de borracha), nunca ande descalço ou com sandálias, e mantenha os atacadores apertados e afastados das rodas, motor e do sistema da transmissão.

Usar o carregador

- Nunca modifique o sistema eléctrico. As alterações podem originar um incêndio. A utilização de um tipo de bateria ou carregador incorrectos pode causar uma explosão.
- ANTES DE CADA UTILIZAÇÃO: Carregue a bateria durante pelo menos 12 horas antes de cada utilização e encha os pneus com a pressão correcta (PSI).
- Desligue após cada utilização. A bateria pode não recarregar se permanecer sem ser utilizada.
- NÃO armazene em temperaturas passíveis de congelação ou temperaturas negativas! As temperaturas abaixo de zero danificam permanentemente a bateria.
- Deve verificar regularmente se existem danos no cabo, na ficha, no revestimento e em outras peças do carregador fornecido com este produto. Em caso de danos, o produto não deve ser carregado até que o carregador tenha sido reparado ou substituído.
- Utilize apenas um carregador recomendado pela Razor.
- O carregador não é um brinquedo. O carregador deve apenas ser usado por um adulto.
- Não use o carregador perto de materiais inflamáveis ou chamas expostas.
- Desligue o carregador da corrente e do produto quando não estiver a ser usado.
- Não exceda o tempo de carga.
- Desligue sempre o produto do carregador antes de o limpar ou passar um pano húmido.

Garantia Limitada:

Esta Garantia Limitada é a única garantia para este produto. Não existem outras garantias expressas ou implícitas. O fabricante garante a isenção de defeitos de fabrico deste produto por um período de 90 dias a contar da data da compra. Esta Garantia Limitada sera anulada se o produto for alguma vez:

- utilizado de uma forma que não para o lazer ou transporte;
- modificado de alguma forma;
- alugado.



**CONTÉM UMA BATERIA SELADA DE ÁCIDO DE CHUMBO NÃO DERRAMÁVEL.
AS PILHAS DEVEM SER RECICLADAS.**



⚠️ OSTRZEŻENIE. Aby uniknąć poważnego urazu:
SRODKI OSTROŻNOŚCI podczas obsługi i konserwacji
Rodzice i dorośli opiekunowie powinni zacząć od przeczytania tej strony

RODZICE LUB DOROŚLI OPIEKUNOWIE MUSZĄ NAUCZYĆ DZIECI BEZPIECZNEJ JAZDY NA TYM PRODUKCIE. Nieprzestrzeganie podczas jazdy zasad zdrowego rozsądku i tych ostrzeżeń może pociągnąć za sobą uszkodzenia, poważny uraz ciała lub nawet śmierć.

Jazda na tym produkcie jest potencjalnie niebezpieczna.

- Ten produkt, jak każdy przeznaczony do jazdy, może być niebezpieczny (np. można z niego spaść lub wjechać w niebezpieczne miejsce). Ten produkt służy do przemieszczania się i dlatego jeździec może stracić kontrolę lub znaleźć się w niebezpiecznej sytuacji.
- Dzieci i dorośli odpowiedzialni za opiekę nad dziećmi muszą wiedzieć, że jeśli taka sytuacja ma miejsce, jeździec może doznać poważnego urazu ciała lub może nawet umrzeć nawet w przypadku używania sprzętu ochronnego i podjęcia środków bezpieczeństwa.

UŻYWAĆ NA WŁASNE RYZYKO I KORZYSTAĆ ZE ZDROWEGO ROZSĄDKU.

Rodzice i osoby dorosłe przyjmują na siebie odpowiedzialność i nadzór nad dziećmi

Ponieważ ten produkt jest niebezpieczny i nie każdy produkt jest odpowiedni dla każdego wieku i wielkości dziecka – w przypadku tej kategorii produktów występują różne zalecenia w zależności od wieku, które odzwierciedlają naturę zagrożeń oraz możliwości psycho-ruchowe dziecka. Rodzice i osoby nadzorujące muszą wybrać produkt odpowiedni do wieku dziecka, a także uniemożliwić narażenie się na niebezpieczeństwo dziecka zbyt niedojrzałego lub niedoświadczonemu, by używało produktu o danej charakterystyce.

- Zalecany wiek użytkownika tego produktu to co najmniej 7 lat. Dzieci, nawet w wieku 7 lat i starsze, które nie mieszczą się wygodnie na hulajnodze, nie powinny na nim jeździć. Rodzice mogą pozwolić dziecku na używanie tego produktu w oparciu o jego wiek, umiejętności i zdolności do przestrzegania zasad. Trzymać produkt z dala od małych dzieci i pamiętać, że jest przeznaczony do użyciu przez osoby, które mogą co najmniej całkowicie swobodnie i pewnie obsługiwać ten produkt.
- Maksymalna waga osoby jeżdżącej to 50 kg
- Osoby o stanie mentalnym lub fizycznym, który może narazić je na uraz ciała lub obniżyć ich zręczność fizyczną albo zdolność do rozpoznawania, rozumienia i przestrzegania instrukcji i zrozumienia zagrożeń związanych z używaniem produktu MX125/SX125, nie powinny używać produktów nieodpowiednich do ich umiejętności. Osoby z chorobami serca, dolegliwościami związanymi z głową, plecami lub szyją (lub przed operacjami związanymi z tymi częściami ciała) oraz kobiety w ciąży nie powinny używać tych produktów.

Sprawdzać produkt MX125/SX125 przed użyciem – konserwować po użyciu

- Przed użyciem należy potwierdzić, że wszystkie osłony łańcucha i inne pokrywy lub osłony są na miejscu i w stanie zdarnym do użycia, że hamulec działa prawidłowo i że opony są prawidłowo napompowane oraz mają wystarczający bieżnik.
- Po użyciu konserwować i naprawiać produkt zgodnie ze specyfikacjami producenta przedstawionymi w tej instrukcji. Używać wyłącznie oryginalnych części zamiennych. Nie zmieniać konstrukcji lub konfiguracji tego produktu.

Dopuszczalne sposoby i warunki jazdy – rodzice/osoby dorosłe powinny omówić te zasady z dziećmi.

Wypożyczenie ochronne. Nie należy używać w ruchu ulicznym.

Miejsce do jazdy

- Zawsze sprawdzać i przestrzegać lokalnych przepisów i uregulowań, które mogą obowiązywać w miejscach używania tego produktu. Zawsze trzymać się z dala od samochodów i ruchu pojazdów i używać tylko w miejscach dozwolonych z zachowaniem uwagi.
- Ten produkt powinien być używany na posesjach prywatnych i na zamkniętych torach, a nie na ulicach i chodnikach publicznych. Nie jeździć na produkcie elektrycznym w pobliżu pieszych i ruchu pojazdów.
- Jeździć z zachowaniem ostrożności. Omijać pieszych, wrotkarzy, desko rolkarzy, użytkowników innych hulajnóg, rowerzystów, dzieci i zwierząt, które mogą znaleźć się na drodze. Szanować prawa i własność innych.
- Ten produkt powinien być używany na płaskich, suchych powierzchniach, jak chodnik lub poziomy teren bez luźnej nawierzchni (innej niż np. piasek, liście, kamienie czy szuter).
- Mokre, śliskie, nierówne lub chropowate powierzchnie mogą zmniejszyć przyczepność i zwiększyć ryzyko wypadku.
- Nie jeździć tym produktem po błocie, lodzie, bajorach lub wodzie.
- Uważać na potencjalne przeszkody, które mogłyby uwięzić koło lub zmusić do gwałtownego skrętu lub utraty kontroli.
- Unikać ostrych wybojów, kratek ściekowych i nagłych zmian powierzchni.
- Nie jeździć tym produktem w warunkach mokrych lub śnieżnych i nigdy nie zanurzać produktu w wodzie, ponieważ podzespoły elektryczne i napędowe mogą zostać uszkodzone przez wodę lub spowodować inne potencjalnie niebezpieczne sytuacje.
- Nigdy nie ryzykować uszkodzenia powierzchni takich jak dywan czy podłoga poprzez użycie tego produktu wewnątrz budynku.
- Nigdy nie używać w pobliżu schodów lub basenu.



Como usar

- Não use o controlo de velocidade (manípulo do acelerador) no punho se não estiver em cima da MX125/SX125 e num local seguro e adequado no exterior para se deslocar.
- Segure sempre o guiador quando se deslocar.
- Não toque no travão ou no motor no produto enquanto o estiver a usar ou imediatamente a seguir a ter andado porque estes componentes podem estar muito quentes.
- Evite velocidades elevadas que poderão ser atingidas em descidas onde poderá perder o controlo.
- Não ande de noite ou quando a visibilidade for reduzida.
- Não tente ou faça acrobacias ou habilidades no produto. O produto não é suficientemente resistente para suportar a utilização incorrecta e abusiva tal como saltos, derrapagens ou outro tipo de acrobacias. Fazer corridas, acrobacias ou outras manobras também pode aumentar o risco de perda de controlo ou dar origem a actos e reacções descontrolados. Todos estes actos podem resultar em ferimentos graves ou possivelmente a morte.
- Não permita a presença de mais do que uma pessoa neste produto.
- Não deixe que as mãos, pés, partes do corpo, vestuário ou outros artigos semelhantes entrem em contacto com peças móveis, rodas ou a transmissão.
- Nunca utilize auscultadores ou telemóveis quando andarno produto.
- Nunca ande à boleia de outro veículo.

Equipamento, vestuário e sapatos adequados

- Use sempre equipamento de protecção adequado, como um capacete de segurança aprovado (com a tira do queixo bem apertada), cotoveleiras e joelheiras. Na sua área, a legislação ou a regulamentação local pode exigir a utilização de capacete. Além disso, recomenda-se o uso de camisolas de manga comprida, calças compridas e luvas.
- Use sempre calçado desportivo (sapatos com atacadores com sola de borracha), nunca ande descalço ou com sandálias, e mantenha os atacadores apertados e afastados das rodas, motor e do sistema da transmissão.

Usar o carregador

- Nunca modifique o sistema eléctrico. As alterações podem originar um incêndio. A utilização de um tipo de bateria ou carregador incorrectos pode causar uma explosão.
- ANTES DE CADA UTILIZAÇÃO: Carregue a bateria durante pelo menos 12 horas antes de cada utilização e encha os pneus com a pressão correcta (PSI).
- Desligue após cada utilização. A bateria pode não recarregar se permanecer sem ser utilizada.
- NÃO armazene em temperaturas passíveis de congelação ou temperaturas negativas! As temperaturas abaixo de zero danificam permanentemente a bateria.
- Deve verificar regularmente se existem danos no cabo, na ficha, no revestimento e em outras peças do carregador fornecido com este produto. Em caso de danos, o produto não deve ser carregado até que o carregador tenha sido reparado ou substituído.
- Utilize apenas um carregador recomendado pela Razor.
- O carregador não é um brinquedo. O carregador deve apenas ser usado por um adulto.
- Não use o carregador perto de materiais inflamáveis ou chamas expostas.
- Desligue o carregador da corrente e do produto quando não estiver a ser usado.
- Não exceda o tempo de carga.
- Desligue sempre o produto do carregador antes de o limpar ou passar um pano húmido.

Garantia Limitada:

Esta Garantia Limitada é a única garantia para este produto. Não existem outras garantias expressas ou implícitas. O fabricante garante a isenção de defeitos de fabrico deste produto por um período de 90 dias a contar da data da compra. Esta Garantia Limitada sera anulada se o produto for alguma vez:

- utilizado de uma forma que não para o lazer ou transporte;
- modificado de alguma forma;
- alugado.



**ZAWIERA JEDEN SZCZELNY, BEZWYCIEKOWY AKUMULATOR KWASOWO-OŁOWIOWY.
AKUMULATORY MUSZĄ ZOSTAĆ Poddane RECYKLINGOWI.**



FIGYELMEZTETÉS. Súlyos sérülés elkerülése érdekében: **BIZTONSÁGI UTASÍTÁSOK** a használathoz és karbantartáshoz **Szülők/felnőtt felügyelők** először olvassák el ezt az oldalt

SZÜLŐKNEK/ FELNÖTT FELÜGYELŐKNEK MEG KELL TANÍTANI A GYERMEKEKET A TERMÉK BIZTONSÁGOS HASZNÁLATÁRA. Ha a használó nem ésszerűen használja a terméket, és figyelmen kívül hagyja ezeket a figyelmeztetéseket, megnő az anyagi kár, komoly sérülés vagy esetlegesen a halál kockázata.

A termék használata lehetséges kockázatokat jelent.

- Bármilyen más járműhöz hasonlóan ez a termék is veszélyes lehet (például leesel, vagy veszélyes helyzetbe kerülés). Természetesen a termék mozgásra való, és emiatt előfordulhat, hogy a használó elveszíti az uralmat felette, vagy más veszélyes helyzetbe kerül.
- A gyermekeknek és a felügyelőtükkért felelős felnőtteknek is tisztában kell lenni azzal, hogy ha ilyen esetek bekövetkeznek, a rolleres súlyosan megsérülhet vagy esetleg meghalhat még a biztonsági felszerelés használata és egyéb biztonsági utasítás betartása mellett is.

SAJÁT FELELŐSÉGRE HASZNÁLD, ÉS HASZNÁLD A JÓZAN ESZED.

Szülői és felnőtt felelősség, valamint felügyelet szükséges

Mivel a termék veszélyes lehet, és nem mindegyik termék felel meg minden korosztályú és méretű gyermeknek, a termékkategórián belül különböző kornak megfelelő ajánlatok találhatóak, amelyek tükrözní kívánják a veszélyek természetét, és a gyermek szellemi vagy fizikai, illetve mindkét képességét, hogy megbirkózzon a veszélyekkel. A szülőknek és felügyelő felnőtteknek úgy kell termékét választaniuk, hogy az a használó gyermek korának megfelelően, és gondoskodni kell azoknak a veszélyeknek megelőzéséről, amelyeknek a termék adottságaihoz esetleg még nem eléggé érett vagy gyakorlatlan gyermekek kiteszik magukat.

- A termék használata 7 éves kortól és azon felül ajánlott. Bárki, akinek a termék mérete nem kényelmes, még ha 7 éves, vagy annál öregebb is, ne próbálkozzon a használatával. A szülőnek a gyermek fejlettségére, ügyességére és a szabályok betartásának a képességére kell alapoznia a döntését, hogy engedi-e gyermekének használni a terméket. Tartsd távol a terméket kisgyermekektől, és ne felejtse el, hogy csak azoknak szánták, akik legalábbis biztosan és hozzáértően tudják használni.
- Maximális teherbírás 50 kg.
- Azok a személyek, akik bármilyen olyan szellemi vagy fizikai állapotban vannak, amely sérülésre hajlamosítja őket, rontja fizikai készségüket vagy az arra vonatkozó szellemi képességüket, hogy felismerjék, megértsék és kövessék a biztonsági utasításokat, valamint képesek legyenek megérteni a MX125/SX125 használatában rejlő veszélyeket, ne használják, vagy nem szabad megengedni számukra, hogy a képességeiknek nem megfelelő termékeknek használjanak. Szívbeteg, fej-, hát- vagy nyaki panaszokkal rendelkező személyeket (vagy azokat, akiket ezeken a testrészeken korábban műtöttek), illetve a terhes nőket figyelmeztetni kell, hogy ne használjanak ilyen termékeket.

Ellenőrizd a MX125/SX125 a használat előtt – tartsd karban a használat után

- Használat előtt ellenőrizd, hogy minden burkolat és láncvédő a helyén van-e és működőképes-e, ellenőrizd, hogy a fékek megfelelően működnek-e, a gumik fel vannak-e fújva rendesen, és nem kopottak-e.
- Használat után végezd el a termék karbantartását és javítását a kézikönyvben található gyártói előírásoknak megfelelően. Csak a gyártó által engedélyezett cserealkatrészeket használj. Ne módosítsd a terméket a gyártó eredeti tervéhez és beállításához képest.

Elfogadható rollerhasználat és feltételek – Szülőknek/felnőtteknek meg kell beszélni ezeket a szabályokat a gyermekekkel. Védőfelszerelést kell viselni. Közúti forgalomban nem használható.

Hol használható

- Mindig ellenőrizd és tarts be minden olyan helyi jogszabályt és rendelkezést, amely befolyásolhatja, hogy a termék hol használható. Maradj mindig biztonságos távolságban a gépjárműforgalomtól, óvatosan használj, és csak ott, ahol megengedett.
- A termék magánterületen és zárt pályákon való használatra terveztük, nem pedig úgy, hogy utcákon, vagy járdákon használják őket.
- Az esetleges veszélyekre figyelve rollerezz. Igyekezz elkerülni a gyalogosokat, görkorcsolyázókat, gördeszkákat, rollereseket, bicikliket, az utadba kerülő gyerekeket vagy állatokat. Tiszteld mások jogait és tulajdonát.
- A termék síma, száraz felületen történő használatra készült, mint például a járda vagy egyenes talaj, ahol nincs laza kötőrmelék, például homok, falevelek, kövek vagy kavics.
- A vizes, csúszós, egyenetlen vagy durva felület csökkentheti a tapadást és növeli a balesetveszélyt.
- Ne használj a terméket sárban, jégen, tócsákban vagy vízben.
- Figyelj a lehetséges akadályokra, amelyek elkaphatják a kerekedet, vagy hirtelen fékezésre, illetve az irányítás elvesztésére kényszerítenek.
- Kerüld a kemény döccenőket, csatornarácsokat és váratlan felületváltozásokat.
- Ne használj a terméket esős vagy jeges időben, és soha ne mártsd azt vízbe, mivel a víztől az elektromos és hajtóelemek megsérülhetnek, vagy egyéb veszélyes helyzet alakulhat ki.
- Soha ne kockáztasd, hogy megrongálod a felületet, például a szőnyeget vagy a padlót a termék benti használatával.
- Soha ne használj lépcső vagy úszómedence közelében.



Hogyan kell használni

- Ne használj a fogantyún a sebességszabályozót (gázadagoló), hacsak nem ülsz teljesen rajta a MX125/SX125 és a használatára megfelelő biztonságos, szabadtéri körülmények között vagy.
- Mindig fogd a kormányt, amíg a rollert használod.
- Ne érintsd meg a terméken a fékeket vagy a motort használat közben vagy közvetlenül használat után, mivel ezek a részek nagyon felmelegedhetnek.
- Kerüld a nagy sebességet, amit például lejtőn érhetsz el, ahol elveszitheted az irányítást.
- Ne rollerezz éjszaka vagy amikor a látási viszonyok korlátozottak.
- Ne próbálkozz trükkökkel, ne végezz mutatványokat a termékkel. A termék nem elég erős ahhoz, hogy kibírja a helytelen használatot és rongálást, mint például ugratás, járdaszegélyhez dörzsölés vagy bármilyen más típusú mutatvány. Versenyzés, mutatványozás vagy egyéb manőver is fokozza a termék feletti uralom elvesztésének a kockázatát, vagy irányíthatatlan mozdulatokat, reakciókat válthat ki. Mindezek komoly sérüléseket vagy esetleg halált eredményezhetnek.
- Soha ne engedj egyszerre egynél több személynek használni a terméket.
- Ne engedd, hogy a kéz, láb, haj, testrészek, ruházat vagy hasonló tárgyak érintkezésbe kerüljenek a mozgó részekkel, a kerekekkel vagy a hajtásláncsal.
- Soha ne használj fejhallgatót vagy mobiltelefont rollerezés közben.
- Soha ne húzasd magad egy másik járművel.

Megfelelő felszerelés, ruházat, cipő

- Viselj mindig megfelelő védőfelszerelést, mint például jóváhagyott biztonsági védősisakot (bekapcsolt rögzítőpánttal), könyök- és térdvédőt. A védősisak a helyi jogszabályok és rendelkezések előírásai szerint kötelező lehet a környéken. Ezen kívül hosszujjú ing, hosszúnadrág és kesztyű is ajánlott.
- Viselj mindig sportcipőt (gumitalpú fűzős cipő), soha ne rollerezz meztláb vagy szandálban, a cipőfűzőt kösd be és tartsd távol a kerekektől, motortól és a hajtásrendszertől.

A töltő használata

- Soha ne módosítsd az elektromos rendszert. A változtatás tüzet okozhat. Nem megfelelő típusú akkumulátor vagy töltő használata robbanást okozhat.
- MINDEN HASZNÁLAT ELŐTT: Legalább 12 órát töltsd az akkumulátort, és fűjd fel a gumikat a megfelelő légnyomásra.
- Kapcsold ki minden használat után. Előfordulhat, hogy az akkumulátor nem töltődik fel, ha használaton kívül bekapcsolva marad.
- NE tárold nagyon hidegben vagy fagypont alatti hőmérsékleten! Fagypont alatti hőmérséklet maradandó károsodást okoz az akkumulátorban.
- A termékhez adott töltőt rendszeresen ellenőrizni kell, hogy nem sérült-e a vezeték, a csatlakozódugasz, burkolat vagy más alkatrészek. Ilyen sérülés esetén a terméket addig nem szabad tölteni, amíg a töltőt meg nem javítják vagy ki nem cserélik.
- Csak a Razor által ajánlott töltőt használj.
- A töltő nem játékszer. Csak felnőtt működtetheti.
- Ne használj a töltőt gyúlékony anyag vagy nyílt láng közelében.
- Húzd ki a töltőt az áramból és kapcsold le a termékről, amikor nincs használatban.
- Ne lépd túl a töltési időt.
- Mindig húzd ki a terméket a töltőből, mielőtt nedves ruhával letöröld vagy megtisztítod.

Korlátozott garancia:

Ez a korlátozott jótállás az egyedüli garancia erre a termékre. Nincs semmilyen más kifejezett vagy feltételezett garancia.

A gyártó garantálja, hogy a termék a vásárlás időpontjától számított 90 napig gyártási hibáktól mentes. Ez a korlátozott garancia megszűnik, amennyiben a termék bármikor:

- szabadidősporton vagy közlekedésen kívül más célra lett használva;
- bármilyen formában módosítva lett;
- bérbeadásra került.



**EGY LEZÁRT, FRÖCCSENÉMENTES SAVAS ÓLOMAKKUMULÁTORT TARTALMAZ.
AZ AKKUMULÁTOROKAT ÚJRA KELL HASZNOSÍTANI.**



ПРЕДУПРЕЖДЕНИЕ. Чтобы избежать серьезных травм:
МЕРЫ ПРЕДОСТОРОЖНОСТИ во время использования и обслуживания
Родителям/присматривающим взрослым необходимо сначала прочесть эту страницу

РОДИТЕЛИ ИЛИ ПРИСМАТРИВАЮЩИЕ ВЗРОСЛЫЕ ДОЛЖНЫ СНАЧАЛА НАУЧИТЬ ДЕТЕЙ БЕЗОПАСНО КАТАТЬСЯ НА ИЗДЕЛИИ. Если ездки не будет рассудительным и не будет обращать внимание на эти предупреждения, существует повышенный риск повреждения, серьезных травм и возможной смерти.

Езда на этом изделии представляет потенциальные риски.

- Как и любое другое транспортное средство, это изделие может быть опасным (например, падение или опасные ситуации). Конечно, данные изделия предназначены для передвижения, поэтому ездки может потерять управление или попасть в другую опасную ситуацию.
- Дети и взрослые, которые за ними присматривают, должны осознавать, что если такое произойдет, ездки может быть серьезно травмирован или даже умереть, даже если использовать защитное оснащение и следовать мерам предосторожности.

ИСПОЛЬЗУЙТЕ НА СВОЙ СОБСТВЕННЫЙ РИСК И БУДЬТЕ РАССУДИТЕЛЬНЫ.

Необходима ответственность и присмотр родителей и взрослых

Так как данные изделия могут быть опасными, и не каждая продукция подходит для любого возраста или размера ребенка, для этой категории продукции представлены рекомендации для разных возрастов, они предназначены для описания природы риска и ожидаемых умственных и физических способностей (или того и другого) ребенка, чтобы избежать опасности. Родители и наблюдающие взрослые должны выбирать транспортную продукцию, соответствующую возрасту ребенка, который будет кататься на изделии, и не допускать, чтобы слишком маленькие или неопытные для характеристик продукции дети подвергали себя риску.

- Рекомендованный возраст пользователя данного изделия – 7 лет и старше. Никто из пользователей, даже старше 7 лет, не должен пытаться ездить на изделии, если он чувствует себя на нем некомфортно. Разрешение родителей кататься на данной продукции должно основываться на возрасте ребенка, его навыках и способности соблюдать правила. Не давайте продукцию маленьким детям и помните, что она предназначена для использования людьми, которые, как минимум, удобно себя чувствуют во время управления изделием и знают, как это делать.
- Максимальный вес велосипедиста – 50 кг
- Люди с умственными и физическими особенностями, которые делают их восприимчивыми к травмам или влияют на физическую способность управлять или умственную способность воспринимать, понимать и соблюдать инструкции безопасности и способность понимать риски, связанные с использованием MX125/SX125, не должны использовать или допускаться к использованию продукции, которая не соответствует их возможностям. Людей с болезнями сердца, заболеваниями головы, спины или шеи (или операциями на этих частях тела) или беременных женщин нужно предупредить, что им нельзя управлять продукцией.

Проверьте MX125/SX125 перед использованием – проведите работы по обслуживанию после использования

- Перед использованием убедитесь, что защитные кожухи цепи, а также другие крышки или щитки находятся на месте и в рабочем состоянии, тормоза работают должным образом, а шины хорошо накачаны и имеют достаточную высоту протектора.
- После использования проводите обслуживание и ремонт в соответствии с рекомендациями производителя в этой инструкции. Используйте только разрешенные производителем запчасти. Не изменяйте первоначальную конструкцию и конфигурацию этого изделия.

Допустимая практика и условия езды – родители/взрослые должны обсудить эти правила со своими детьми.

Необходимо надевать защитное оснащение. Не для использования среди автомобилей.

Где ездить

- Всегда узнавайте и соблюдайте местные законы или нормы, которые могут повлиять на места использования данного изделия. Всегда остерегайтесь автомобилей и транспортного движения и используйте самокат осторожно и в разрешенных местах.
- Это изделие предназначено для использования на частной территории и закрытых участках, а не на общественных улицах или тротуарах. Не используйте данное электрическое изделие в любых местах, где присутствуют пешеходы или транспортные средства.
- Следует ездить аккуратно. Избегайте пешеходов, роллеров, скейтбордистов, самокатов, мотоциклов, детей и животных, которые могут встать у вас на пути. Уважайте права и частную собственность окружающих.
- Данное изделие предназначено для использования на ровной сухой поверхности, такой как тротуар или ровная площадка без таких загрязнений, как песок, листья, камни или гравий.
- Мокрые, скользкие, ухабистые, неровные или грубые поверхности могут уменьшить тягу и увеличить риск несчастных случаев.
- Не катайтесь на изделии по грязи, льду, лужам или воде.
- Остерегайтесь возможных препятствий, в которые может попасть ваше колесо или, которые могут привести к отклонению или потере управления.
- Избегайте резких ударов, дренажных решеток и неожиданных изменений поверхности.
- Не катайтесь на этом изделии в во время влажной или снежной погоды и никогда не погружайте изделие в воду, так как электрические компоненты и привод может повредить вода, а также могут возникнуть другие опасные условия.
- Никогда не рискуйте повреждением таких поверхностей, как ковер или настил, используя данное изделие в помещении.
- Никогда не используйте вблизи ступенек или бассейнов.



Как ездить

- Не используйте регулятор скорости (дроссель на поворотной ручке) на рукоятке, если MX125/SX125 не находится в безопасном месте на открытом воздухе, подходящем для катания.
- Всегда держитесь за руль во время езды.
- Не касайтесь тормоза или мотора на изделии во время использования или сразу после катания, так как эти части сильно нагреваются.
- Избегайте высоких скоростей, таких как езда с горы, где вы можете потерять управление.
- Не катайтесь ночью или с ограниченным освещением.
- Не пытайтесь и не выполняйте трюки на изделии. Изделие недостаточно крепко для неправильного использования, такого как прыжки, езда по кромке и другие виды трюков. Гонки, трюки и прочие маневры также увеличивают риск потери управления и могут привести к неуправляемым действиям или реакциям. Все это может привести к серьезным травмам или возможной смерти.
- Никогда не позволяйте нескольким людям кататься на изделии.
- Руки, ноги, волосы, части тела, одежда и подобные вещи не должны соприкасаться с движущимися частями, колесами или приводом.
- Во время езды никогда не используйте наушники или мобильный телефон.
- Никогда не катайтесь с другим транспортом.

Необходимое оснащение для катания, одежда, обувь

- Всегда надевайте необходимое защитное оснащение, такое как утвержденный защитный шлем (с надежно закрепленным подбородочным ремнем), налокотники и наколенники. Наличие шлема может требоваться в соответствии с местным законом или нормами в вашем регионе. Кроме того, рекомендуется рубашка с длинным рукавом, длинные брюки и перчатки.
- Всегда надевайте спортивную обувь (шнурованную обувь с резиновой подошвой), никогда не катайтесь босиком или в сандалиях и всегда завязывайте шнурки, чтобы они не попали в колеса, двигатель и систему привода.

Использование зарядного устройства

- Никогда не модифицируйте электрическую систему. Изменения могут привести к пожару. Использование неправильного типа батареи или зарядного устройства может привести к взрыву.
- ПЕРЕД КАЖДЫМ ИСПОЛЬЗОВАНИЕМ: Заряжайте батарею МИНИМУМ 12 часов и накачивайте шины до необходимого давления.
- Выключайте после каждой поездки. Если оставить включенным без использования, батарея может не заряжаться.
- НЕ храните при температуре замерзания или ниже! Температура замерзания может полностью повредить батарею.
- Зарядное устройство, которое поставляется с этим изделием, необходимо регулярно проверять на наличие повреждений шнурка, вилки, кожанки и других деталей. В случае повреждений продукцию не нужно заряжать, пока зарядное устройство не будет отремонтировано или заменено.
- Используйте только зарядное устройство, рекомендованное Razor.
- Зарядное устройство – это не игрушка. Зарядное устройство могут использовать только взрослые.
- Не используйте зарядное устройство возле легковоспламеняемых материалов и открытого огня.
- Выключайте зарядное устройство и отключайте его от изделия, если оно не используется.
- Не превышайте время зарядки.
- Всегда отключайте изделие от зарядного устройства перед тем, как протереть его сухой или влажной тканевой салфеткой.

Ограниченная гарантия:

- Эта ограниченная гарантия является единственной гарантией для продукции. Других явно выраженных или подразумеваемых гарантий нет. Производитель гарантирует, что эта продукция не имеет производственных дефектов на протяжении 90 дней с даты покупки. Данная ограниченная гарантия будет аннулирована, если продукция:
- использовалась не для развлечения или катания;
 - каким-либо способом изменялась;
 - сдавалась в прокат.



СОДЕРЖИТ ГЕРМЕТИЧНУЮ СВИНЦОВО-КИСЛОТНУЮ АККУМУЛЯТОРНУЮ БАТАРЕЮ. БАТАРЕИ ДОЛЖНЫ ПЕРЕРАБАТЫВАТЬСЯ.

⚠ VARNING. Så här undviker du allvarliga skador:
FÖREBYGGANDE SÄKERHETSÅTGÄRDER under användning och vid underhåll
 Föräldrar och vuxna ska läsa denna sida först.

FÖRÄLDRAR OCH VUXNA MÅSTE LÄRA BARNEN HUR MAN ANVÄNDER PRODUKTEN PÅ ETT SÄKERT SÄTT. Om användaren inte använder sunt förnuft och följer dessa varningar ökar risken för skador, allvarliga personskador eller möjligtvis dödsfall.

Att använda denna produkt medför risker.

- I likhet med andra åkprodukter kan det vara farligt att använda denna produkt (till exempel om man ramlar eller kommer in i en farlig situation). Denna produkt är självfallet utformad för att åkas på och det finns därför risk för att en användare förlorar kontrollen eller på annat sätt hamnar i en farlig situation.
- Både den vuxne som är ansvarig för att övervaka åkningen samt barnet som åker måste vara införstådda med att det föreligger en risk för allvarliga eller livshotande personskador om en olycka inträffar, även om skyddsutrustning använts och andra försiktighetsåtgärder vidtagits.

ИСПОЛЬЗУЙТЕ НА СВОЙ СОБСТВЕННЫЙ РИСК И БУДЬТЕ РАССУДИТЕЛЬНЫ.

Ansvar och uppsikt av förälder eller annan vuxen person krävs.

Eftersom denna produkt kan vara farlig (och inte alla produkter lämpar sig för barn i alla åldrar och storlekar) visas här olika åldersrekommendationer för denna produktkategori. Dessa rekommendationer är tänkta att spegla farornas natur och den förväntade mentala och/eller fysiska förmåga som krävs hos barnet för att hantera dessa faror. Föräldrar och vuxna måste välja åkprodukter som lämpar sig för barnets ålder samt se till att barn som kanske inte är tillräckligt mogna eller erfarna för produktens karaktär inte utsätts för fara i närheten av produkten.

- Den rekommenderade användaråldern för denna produkt är 7 år eller äldre. De användare som inte kan åka bekvämt på produkten ska inte använda den (även om de är 7 år eller äldre). En förälders beslut om att låta barnet använda denna produkt bör baseras på barnets mognad, färdighet och förmåga att följa regler. Förvara produkten utom räckhåll för små barn och kom ihåg att den endast är avsedd att användas av personer som kan använda den på ett bekvämt och ansvarsfullt sätt.
- Maxvikt: 50 kg.
- Personer med mentala eller fysiska förhållanden som gör att de lättare kan komma till skada eller som försämrar deras fysiska kapacitet eller mentala förmåga att inse, förstå och följa säkerhetsinstruktioner samt att uppfatta riskerna med att använda MX125/SX125 bör inte, eller ska inte tillåtas att, använda produkter som är olämpliga med tanke på deras förmåga. Personer med hjärtproblem eller huvud-, rygg- eller nackbesvär (eller som tidigare har opererats i dessa delar av kroppen) eller gravida kvinnor rekommenderas inte att använda dessa produkter.

Kontrollera MX125/SX125-fordonet före användning – Underhåll efter användning

- Före användning, se till att alla kedjeskydd eller andra kåpor är på plats och i fungerande skick, att bromsen fungerar ordentligt samt att däcken är rätt uppblåsta och har tillräckligt däckmönster kvar.
- Efter användning ska denna produkt underhållas och repareras enligt tillverkarens specifikationer, som finns i denna bruksanvisning. Använd endast tillverkarens godkända reservdelar. Gör inte några ändringar på denna produkt som avviker från tillverkarens ursprungliga design och utformning.

Rekommenderade användningssätt och användningsförhållande – Föräldrar/målsmän bör diskutera dessa regler med sina barn. Använd alltid skyddsutrustning. Elsparkcykeln får inte användas i trafiken.

Var man kan åka

- Ta alltid reda på vilka lokala bestämmelser som reglerar vilka platser som denna produkt får användas på och följ dessa bestämmelser. Håll dig alltid på säkert avstånd från bilar och motordriven fordonstrafik och använd produkten endast på tillåtna platser och med försiktighet.
- Denna produkt är till för att användas på privat egendom och slutna banor och får inte användas på offentliga gator eller trottoarer. Använd inte din eldrivna produkt på platser med fotgängare eller fordonstrafik.
- Kör defensivt. Kör försiktigt och var uppmärksam på fotgängare, rullskridskoåkare, skateboardåkare, andra sparkcykelåkare, cyklisterna samt barn eller djur som kan korsa din väg. Respektera andras egendom och rättigheter.
- Denna produkt är endast avsedd för användning på plana, torra ytor som trottoarer eller jämn mark, utan lösa föremål som sand, löv, stenar eller grus.
- Våta, hala, gropiga, ojämna och grova underlag kan ge upphov till försämrad friktion och i värsta fall orsaka olyckor.
- Kör inte med produkten över lera, is, pölar eller vatten.
- Se upp för potentiella hinder som kan fastna i sparkcykelns hjul eller tvinga dig att gira plötsligt eller tappa kontrollen.
- Undvik stora gupp, brunnsgaller och andra ojämheter.
- Använd inte produkten på blött eller isigt underlag. Doppa aldrig produkten i vatten eftersom vattnet kan skada de elektriska komponenterna och drivkomponenterna eller medföra andra säkerhetsrisker.
- Använd aldrig produkten inomhus eftersom det kan skada golv och mattor.
- Använd aldrig sparkcykeln i närheten av trappor eller simbassänger.



Hur man åker

- Använd inte hastighetskontrollen (gashandtag) på handtaget förrän du sitter ordentligt på MX125/SX125-fordonet och befinner dig i en säker utomhusmiljö som är lämplig för körning.
- Håll alltid i styret medan du kör.
- Rör inte vid produktens broms eller motor medan den används eller omedelbart efter användning eftersom dessa delar kan bli väldigt varma.
- Undvika höga hastigheter som man kan komma upp i vid åkning nerför backar eftersom detta kan få dig att förlora kontrollen.
- Åk inte när det är mörkt ute eller om sikten på annat vis är begränsad.
- Försök aldrig att utföra stunttrick eller andra trick med produkten. Produkten är inte tillräckligt stark för att klara missbruk som hopp, körning på trottoarkanter eller andra typer av trick. Tävlingskörning, stuntkörning och andra manövrar ökar även risken för att förlora kontrollen eller kan orsaka okontrollerade handlingar och reaktioner. Allt av ovanstående kan leda till allvarliga eller livshotande skador.
- Låt aldrig mer än en person i taget använda produkten.
- Låt inte händer, fötter, andra kroppsdelar, hår, kläder eller liknande komma i kontakt med rörliga delar, såsom hjul eller hjulsystem.
- Använd aldrig hörlurar eller mobiltelefon när du åker på sparkcykeln.
- Åk aldrig efter ett annat fordon genom att hålla fast i det.

Rekommenderad skyddsutrustning, klädsel och skor

- Ha alltid på dig lämplig skyddsutrustning, t.ex. en godkänd hjälm (spännet ska vara ordentligt knäppt), armbågs- och knäskydd. En hjälm kan krävas enligt gällande lag eller bestämmelser. Dessutom rekommenderas långärmad tröja, långbyxor och handskar.
- Använd alltid gymnastikskor (med snörning och gummisula). Kör aldrig barfota eller i sandaler. Skosnörena måste vara ordentligt knutna och hållas borta från hjulen, motorn och drivsystemet.

Använda laddaren

- Modifiera aldrig det elektriska systemet. Ändringar kan orsaka brand. Användning av fel batterityp eller laddare kan orsaka en explosion.
- FÖRE VARJE ÅKTUR: Ladda batteriet i MINST 12 timmar och se till att däcken har rätt tryck.
- Stäng av sparkcykeln efter varje åktur. Det kan hända att batteriet inte går att ladda om sparkcykeln lämnas på "ON" (PÅ) utan att den används.
- Förvara INTE batteriet i temperaturer under 0 °C! Dessa låga temperaturer skadar batteriet permanent.
- Den batteriladdare som medföljer produkten ska regelbundet undersökas för att se om det finns eventuella skador på sladd, kontakt, hölje eller övriga delar. Om sådan skada upptäcks får produkten inte laddas förrän laddaren har reparerats eller ersatts med en ny.
- Använd endast en laddare som rekommenderas av Razor.
- Laddaren är ingen leksak. Laddaren ska endast hanteras av vuxna.
- Använd inte laddaren i närheten av lättantändliga material eller en öppen eld.
- När laddaren inte används ska du dra ut den ur eluttaget och koppla bort den från produkten.
- Ladda inte längre än nödvändigt.
- Koppla alltid ur produkten från laddaren innan du torkar av den eller rengör med en fuktig trasa.



**INNEHÅLLER ETT FÖRSEGLAT, LÄCKAGEFRITT BLYBATTERI.
FÖRBRUKADE BATTERIER SKA ÅTERVINNAS.**



ADVARSEL. Slik unngår du alvorlige ulykker:
SIKKERHETSFORANSTALTNINGER under bruk samt vedlikehold
 Foreldre/voksne som har tilsyn med brukeren må lese denne siden først

FORELDRE ELLER VOKSNE SOM HAR TILSYN MED BRUKEREN MÅ LÆRE BARNET HVORDAN MAN BRUKER DETTE PRODUKTET PÅ EN TRYGG MÅTE. Hvis brukeren ikke utviser vanlig, sunn fornuft eller ikke tar hensyn til disse advarslene, er det en økt fare for skade, personskade eller død.

Det er en potensiell fare forbundet med bruken av dette produktet.

- Som med alle andre produkter man kan kjøre eller sykle på, kan det være farlig å bruke dette produktet (for eksempel hvis man faller av eller havner i en farlig situasjon). Dette produktet er selvfølgelig uformet for bevegelse, og derfor er det mulig at brukeren kan miste kontrollen eller på andre måter havne i farlige situasjoner.
- Både barn og voksne som er ansvarlige for å ha tilsyn med brukeren må være oppmerksom på at slike ting kan forekomme, at en bruker kan bli alvorlig skadet eller muligvis omkomme, selv når det brukes beskyttelsesutstyr og man tar andre sikkerhetsforanstaltninger.

BRUKER PÅ EGEN RISIKO. BRUK SUNN FORNUFT.

Det kreves at foreldre / andre voksne tar ansvar og har tilsyn med brukeren.

For di dette produktet kan være farlig – og fordi ikke alle produkter er beregnet på barn i alle aldre eller størrelser – finnes det forskjellige aldersanbefalinger innen denne kategorien av produkter som er ment å vise til farer og den forventede fysiske og mentale evnen (eller begge) et barn må ha for å takle disse farene. Foreldre og voksne som har tilsyn med brukeren, må velge produkter som passer til alderen på barnet som skal bruke dette produktet, samt sørge for at barn som ikke er modne nok eller ikke har nok erfaring med et produkt, ikke skader seg i nærheten av det.

- Anbefalt alder for brukere av dette produktet er 7 år eller eldre. Enhver bruker, selv om de er 7 år eller eldre, som ikke størrelsesmessig passer til sparkesykkelen, må ikke prøve å bruke den. En forelders beslutning om å la barnet bruke sparkesykkelen bør baseres på barnets modenhet, evner og dyktighet. Hold dette produktet borte fra mindre barn, og husk at det kun er ment for personer som (som et minimum) er fullstendig kompetente til å bruke dette produktet.
- Maks. vekt på bruker er 50 kg.
- Personer med mentale eller fysiske forutsetninger som gjør at de lettere kan pådra seg skade eller som forringer den fysiske eller mentale evnen til å gjenkjenne, forstå og følge sikkerhetsinstruksjonene samt å forstå farene forbundet med bruk av MX125/SX125 må ikke bruke eller få lov til å bruke produkter som er u hensiktsmessige i forhold til deres evner. Personer med hjerteproblemer, lidelser i hode, rygg eller nakke (eller som tidligere har fått foretatt operative inngrep på disse stedene på kroppen) og gravide kvinner bør advares mot ikke å bruke slike produkter.

Sjekk MX125/SX125 før bruk – Vedlikehold etter bruk

- Før bruk må du undersøke at kjedeskjermer eller andre deksler eller beskyttelser er montert som de skal og at de fungerer, at bremsene fungerer korrekt, at dekk(ene) har nok luft og har tilstrekkelig med slitebane.
- Etter bruk må du vedlikeholde og reparere dette produktet i henhold til produsentens spesifikasjoner i denne veiledningen. Bruk bare reservedeler som er godkjent av produsenten. Ikke utfør endringer på dette produktet som går imot produsentens opprinnelige utforming eller konfigurasjon.

Akseptabel bruk og akseptable for hold – foreldre/voksne må diskutere disse reglene med barna.

Det bør brukes beskyttelsesutstyr. Må ikke brukes på trafikkerte steder.

Hvor er egnet sykkelområde?

- Sjekk og overhold alltid lokale lover og forskrifter som kan ha innvirkning på de stedene der dette produktet kan brukes. Hold deg alltid i god avstand fra biler og andre motorkjøretøyer, og bruk bare dette produktet der du har fått lov til å bruke den. Bruk den med stor forsiktighet.
- Ikke kjør det elektriske produktet på private områder eller i områder der det er fotgjengere og trafikk. Alle produkter er ikke egnet for enhver alder eller størrelse, og forskjellige aldersanbefalinger finnes i denne produktkategorien som skal gjenspeile farenes natur og forventede mentale og fysiske evner en kjører trenger for å takle farene.
- Kjør forsiktig. Unngå å komme på kollisjonskurs med gående og folk på rulleskøyter, rullebrett, sparkesykler og sykler. Vær spesielt oppmerksom på barn og dyr som kan komme ut foran deg. Respekter andres rettigheter og eiendom.
- Dette produktet må kun brukes på flate, tørre overflater, slik som fortau eller en jevn flate hvor det ikke finnes sand, løv, grus eller andre løse elementer.
- Våte, glatte, ujevne og grove overflater kan gi dårligere friksjon og øke faren for ulykker.
- Ikke kjør bruk dette produktet i gjørme, is, pytter eller vann.
- Se opp for potensielle hindringer som kan komme i veien for hjulene eller gjøre det nødvendig å skrense.
- Unngå skarpe humper, kloakkrister og plutselige endringer i overflaten.
- Bruk aldri dette produktet ved frost eller under våte forhold, og legg aldri dette produktet i vann, da det elektriske systemet og motordelene kan skades av vann eller andre fysiske situasjoner.
- Ikke bruk dette produktet innendørs, da det kan ødelegge overflater som tepper og gulv.
- Bruk aldri sparkesykkelen i nærheten av trapper eller svømmebassenger.



Hvordan kjøre

- Ikke bruk fartskontrollen (gasshåndtak) på håndtaket med mindre du er helt nedsatt på MX125/SX125 og i et sikkert utendørsmiljø som passer for kjøring.
- Hold alltid i styret når du bruker sparkesykkelen.
- Ikke kom borti bremsen eller motoren på dette produktet når det er i bruk eller rett etter bruk, da disse delene kan bli veldig varme.
- Unngå høye hastigheter som du kanskje kommer opp i når du kjører i nedoverbakke – du kan miste kontrollen.
- Ikke bruk sparkesykkelen om natten eller når sikten er nedsatt.
- Ikke forsøk å utføre stunt eller triks med dette produktet. Produktet er ikke laget for å tåle utilsiktet bruk eller hard påkjenning som hopping, kante hopp og andre vågestykker. Kappløp, stunt og andre manøvrer øker også faren for at du mister kontrollen, eller det kan forårsake ukontrollerte handlinger eller reaksjoner. Alt dette kan føre til alvorlig skade eller muligvis død.
- La aldri mer enn én person om gangen bruke dette produktet.
- Sørg for at ikke hender, føtter, hår, andre kroppsdeler, klær eller lignende kommer i kontakt med bevegelige deler som hjulet eller drevet.
- Bruk aldri hodetelefoner eller mobiltelefoner under kjøring.
- Du må aldri trekkes etter et annet kjøretøy.

Korrekt utstyr, klær og sko ved bruk av sparkesykkelen

- Bruk alltid beskyttelsesutstyr, slik som godkjent sikkerhetshjelm (med hakeremmen ordentlig festet), albue- og knebeskyttere. En hjelm kan være obligatorisk og påkrevd etter lokale lover eller bestemmelser der du bor. I tillegg anbefales det at man bruker langermet genser, lange bukser og hansker.
- Bruk alltid sko (snøresko med gummisåler), kjør aldri barbert eller i sandaler, og sørg for at skollissene er knyttet og holdes unna hjulene, motoren og styringssystemet.

Bruk av laderen

- Du må aldri endre på det elektriske systemet. Endringer kan forårsake brann. Bruk av feil type batteri eller lader kan forårsake en eksplosjon.
- FØR HVER BRUK: Lad batteriet i MINST 12 timer og sørg for at det er riktig trykk i dekkene.
- Slå av sparkesykkelen etter hver tur. Det kan være at batteriet ikke kan lades hvis sparkesykkelen er på (ON) uten å være i bruk.
- Ikke oppbevar sparkesykkelen på steder med temperaturer under frysepunktet. Kuldegrader kan gi permanent skade på batteriet.
- Laderen som følger med dette produktet må undersøkes med jevne mellomrom for å avdekke skade på ledningen, kontakten eller andre deler. Hvis du finner slike skader, må du ikke lade dette produktet før laderen er reparert eller byttet ut.
- Bruk bare en lader som anbefales av Razor.
- Laderen er ikke et leketøy. Laderen må bare brukes av en voksen.
- Ikke bruk laderen i nærheten av brennbare materialer eller åpen flamme.
- Trekk laderen ut av kontakten og koble fra dette produktet når den ikke er i bruk.
- Ikke overstig ladetiden.
- Du må alltid koble dette produktet fra laderen før den rengjøres med en fuktig klut eller tørkes av.



**INNEHOLDER ET FORSEGLET, LEKKASJEFRITT BLYBATTERI.
BATTERIENE MÅ RESIRKULERES.**



⚠ ADVARSEL: Sådan undgår du alvorlige ulykker:
SIKKERHEDSFORANSTALTNINGER under brug og vedligeholdelse
FORældre/voksne skal læse denne side inden brug

FORÆLDRE/VOKSNE SKAL LÆRE BØRN, HVORDAN DE KØRER SIKKERT PÅ DETTE PRODUKT. Hvis brugeren ikke benytter sin sunde fornuft og er opmærksom på disse advarsler, er der risiko for beskadigelser, alvorlig tilskadekomst eller død.

Det er forbundet med fare at køre på dette produkt.

- Dette produkt er som alle andre produkter, man kører på, forbundet med fare (hvis du f.eks. falder af eller kører ind i en farlig situation). Dette produkt er selvfølgelig beregnet til at være i bevægelse, og det er derfor muligt for brugeren at miste kontrollen eller på anden måde komme i farlige situationer.
- Både børn og de voksne, der er ansvarlige for opsynet med børnene, skal være opmærksomme på, at hvis sådanne situationer opstår, kan brugeren komme alvorligt til skade eller dø, også selvom der benyttes sikkerhedsudstyr, eller der er truffet andre sikkerhedsforanstaltninger.

ANVEND PÅ EGEN RISIKO OG ANVEND SUND FORNUFT.

Opsyn fra en forælder eller en voksen er nødvendigt.

Eftersom dette produkt kan være farligt – og ikke alle produkter er egnet til børn i alle aldre og størrelser – er der forskellige aldersbegrænsninger inden for denne produktkategori, der både afspejler de potentielle farer og de forventede mentale eller fysiske evner eller begge dele, som et barn skal besidde for at kunne klare farlige situationer. De forældre og voksne, der holder opsyn, skal vælge køretøjer, der er egnet til alderen på det barn, der kører på dette produkt, og sørge for, at børn, der ikke er gamle nok, eller som ikke kender produktet, ikke kommer til skade med produktet.

- Dette produkt anbefales til børn fra 7 år. Brugere, der er 7 år eller ældre, og som ikke kan stå behageligt på produktet, bør ikke forsøge at køre på det. En forælders beslutning om at lade barnet køre på dette produkt bør baseres på barnets modenhed, evner og formåen. Hold dette produkt væk fra mindreårige børn, og husk, at det kun er beregnet til brug af personer, der som minimum er helt fortrolige med og i stand til at køre på dette produkt.
- Brugers maksimale vægt: 50 kg.
- Personer med fysiske eller mentale lidelser, der kan medføre, at disse personer kan blive udsat for skader, eller deres fysiske formåen eller mentale evner nedsættes, så de har vanskeligt ved at opfatte, forstå eller følge sikkerhedsvejledningen samt forstå de risici, der er forbundet med brugen af MX125/SX125, bør ikke benytte eller få tilladelse til at benytte produkter, der ikke svarer til deres evner. Personer med hjertesygdomme, lidelser i hoved, ryg eller nakke (eller som tidligere er blevet opereret i disse områder) samt gravide bør advares mod at bruge sådanne produkter.

Kontroller MX125/SX125 inden brug – Vedligehold efter brug

- Inden du bekræfter at alle eller nogen kædeskærme samt andre dæksler eller afskærmninger er på plads og er funktionsdygtige, at bremsen fungerer korrekt og at dækkene er ordentligt oppustede og har tilstrækkelig slidbane.
- Efter brug skal du vedligeholde og reparere dette produkt i overensstemmelse med producentens specifikationer i denne manual. Du må kun benytte producentens autoriserede reservedele. Du må ikke ændre dette produkt i forhold til producentens originale design og indstilling.

Acceptabel brug og acceptable forhold – forældre/voksne bør tale med deres børn om disse regler.

Der skal bæres beskyttelsesudstyr. Må ikke anvendes i trafikken.

Her må du køre

- Tjek og overhold altid de lokale regler og den lovgivning, som gælder, der hvor dette produkt bliver brugt. Hold hele tiden sikker afstand til biler og andre motoriserede køretøjer, og brug kun produktet, hvor det er tilladt. Udvis forsigtighed.
- Dette produkt er beregnet til brug på privat ejendom og på lukkede baner, og ikke på offentlige veje eller fortove. Du må ikke køre på dit elektriske produkt på nogen steder, hvor der er fodgængere eller køretøjer.
- Kør forsvarligt. Sørg for at undgå fodgængere, skatere, skateboards, løbehjul, cykler, børn eller dyr, som kan komme i vejen for dig. Respektér andres rettigheder og ejendom.
- Dette produkt er beregnet til brug på flade, tørre overflader såsom fortov eller jævne flader uden løst underlag såsom sand, blade, sten eller grus.
- Våde, glatte, ujævne eller ru overflader kan svække trækraften og forårsage mulige ulykker.
- Kør ikke på dette produkt i mudder, på is, i vandpytter eller vand.
- Hold øje med potentielle forhindringer, der kan komme ind i hjulet eller kan forårsage, at du pludselig svinger til siden eller mister kontrollen.
- Undgå store bump, afløbsriste og pludselige ændringer i overfladen.
- Kør ikke på dette produkt, når det er vådt eller islagt, og lad være med at lægge dette produkt i vand, da det kan beskadige elektriske dele og andre komponenter eller gøre kørslen usikker.
- Kør ikke indendørs, da man risikerer at beskadige gulvtæpper eller gulve.
- Brug aldrig løbehjulet i nærheden af trapper eller swimmingpools.



Sådan kører du

- Du må ikke bruge gashåndtaget på styret med mindre du sidder i sædet og befinder dig i et sikkert, udendørs miljø der er egnet til at køre med MX125/SX125.
- Hold hele tiden fast i håndtagene, mens du kører.
- Rør ikke bremsen eller motoren på produktet, når de er i brug eller umiddelbart efter brug, da disse dele kan blive meget varme.
- Undgå høj hastighed, især i forbindelse med kørsel ned ad bakke, hvor du kan miste kontrollen.
- Lad være med at køre om natten, eller når sigtbarheden er nedsat.
- Lad være med at forsøge at lave stunts og tricks på produktet. Produktet er ikke stærkt nok til at tåle forkert brug såsom hop, kørsel på kantsten eller andre former for stunts. Kapløb, stuntkørsel eller lignende aktiviteter øger også risikoen for manglende kontrol eller kan forårsage ukontrollerede bevægelser eller reaktioner fra brugeren. Alle disse situationer kan medføre alvorlig tilskadekomst eller død.
- Lad aldrig mere end én person køre på produktet ad gangen.
- Hænder, fødder, hår, kropsdele, tøj eller lignende artikler må ikke komme i kontakt med bevægelige dele, hjulene eller transmissionen.
- Brug aldrig hovedtelefoner eller mobiltelefon under kørslen.
- Få aldrig et lift med et andet køretøj.

Korrekt udstyr, tøj og sko, når løbehjulet benyttes

- Bær altid det nødvendige beskyttelsesudstyr, såsom en godkendt hjelm (med hageremmen spændt ordentligt) samt albue- og knæbeskyttere. En hjelm kan være lovbealet ifølge lokal lovgivning eller lokale regler. Herudover anbefales en langærmet trøje, lange bukser og handsker.
- Bær altid sko (lukkede sko med gummisåler), køр aldrig i bare tæer eller sandaler, og sørg for, at snøbånd er bundet og ikke kan komme ind i hjulene, motoren eller drivsystemet.

Sådan bruges opladeren

- Forsøg aldrig at lave om på det elektriske system. Ændringer kan forårsage brand. Brug af forkert type batteri eller oplader kan føre til eksplosion.
- FØR HVER TUR: Oplad batteriet MINDST 12 timer før brug, og pump dækket op til det korrekte dæktryk.
- Slut batteriet efter hver tur. Batteriet kan muligvis ikke genoplades, hvis det står på "ON" (tændt), når løbehjulet ikke er i brug.
- Opbevar ALDRIG batteriet ved temperaturer under frysepunktet! Temperaturer under frysepunktet beskadiger batteriet permanent.
- Den batterioplader, der følger med det dette produkt, skal undersøges jævnligt for skade på ledning, stik eller andre dele. I tilfælde af sådan en skade må produktet ikke oplades, før opladeren er blevet repareret eller udskiftet.
- Brug kun en oplader, der anbefales af Razor.
- Opladeren er ikke legetøj. Opladningen skal foretages af en voksen.
- Opladeren må ikke benyttes i nærheden af brandbare materialer eller åben ild.
- Tag stikket ud af opladeren og produktet, når det ikke er i brug.
- Sørg for at overholde opladningstiden.
- Afbryd altid forbindelsen mellem produkter og opladeren, inden produktet tørres af eller rengøres med en fugtig klud.



**INDEHOLDER ET FORSEGLEDE, LÆKAGEFRI BLYSYREBATTERI.
BATTERIER SKAL GENBRUGES.**

VAROITUS. Huomioi seuraavat kohdat välttyäksesi vakavilta loukkaantumisilta.

TURVAOHJEET käytön ja huollon aikana

Vanhempien tai käyttööä valvovien aikuisten tulee lukea tämä sivu ensin.

VANHEMPIEN TAI KÄYTTÖÄ VALVOVIEN AIKUISTEN ON OPETETTAVA LAPSIILLE TÄMÄN TUOTTEEN TURVALLINEN KÄYTTÖ. Jos ajaja ei käytä maalaisjärkeä ja noudata näitä varoituksia, vakavan loukkaantumisen tai jopa kuoleman riski kasvaa.

Tämän tuotteen käyttöön sisältyy vaaroja.

- Muiden liikkumiseen tarkoitettujen välineiden tapaan myös tämän tuotteen käyttäminen voi olla vaarallista (ajaja voi esimerkiksi tippua kyydistä tai ajaa vaaralliseen tilanteeseen). Tämä tuote on suunniteltu liikkumiseen. Liikkuessa saatetaan menettää laitteen hallinta tai joutua vaarallisiin tilanteisiin.
- Sekä lasten että laitteen käyttöä valvovien aikuisten on tiedostettava, että tällaisissa tapauksissa ajaja voi suojavälineiden käytöstä ja varovaisuudesta huolimatta loukkaantua vakavasti tai jopa kuolla.

KÄYTTÄJÄ KÄYTTÄÄ TUOTETTA JÄRKEVÄSTI JA OMALLA VASTUULLA.

Vaatii vanhempien tai muiden aikuisten valvontaa.

Koska tämä tuote voi olla vaarallinen – ja kaikki tuotteet eivät sovellu kaikenikäisille ja -kokoisille lapsille – tämän tuoteryhmän tuotteissa on erilaisia ikäsuosituksia. Ne kuvastavat erilaisia riskejä ja lapselta odotettavaa henkistä ja fyysistä tippua, jotta hän selviytyisi niistä. Vanhempien ja tuotteen käyttöä valvovien aikuisten on valittava lapsen ikään sopivia tuotteita. Heidän on myös huolehdittava, että epäkypsät ja kokemattomat lapset eivät pääse käyttämään ja oleskelemaan liian lähellä tuotetta.

- Tätä tuotetta suositellaan vähintään 7-vuotiale. Jos lapsi on vähintään 7-vuotias, mutta ei pysty käyttämään tuotetta mukavasti, hänen ei pitäisi käyttää sitä. Vanhemman tulisi pohjata päätöksensä siitä, miten lapsi käyttää tuotetta, lapsen kypsyyteen, taitoon ja kykyyn noudattaa ohjeita. Pidä tämä tuote poissa pienten lasten ulottuvilta. Muista, että se on tarkoitettu vain ajajille, jotka voivat käyttää sitä mukavasti ja hallitsevat sitä.
- Käyttäjän enimmäispaino: 50 kg.
- MX125/SX125:**ttä ei saa antaa henkisesti tai fyysisesti rajoittuneiden henkilöiden käyttöön, jos on syytä epäillä, että nämä tilat altistavat heitä loukkaantumisille tai heikentävät heidän fyysistä taitavuuttaan tai henkisiä kykyjään siten, että he eivät tunnista, ymmärrä ja noudata turvaohjeita, eivätkä ymmärrä potkulautailuun kuuluvia riskejä. Sydänsairautta potevien, pää-, selkä- tai niskavamman kärsivien tai näiltä alueilta leikatuksi joutuneiden henkilöiden sekä raskaana olevien naisten ei tulisi käyttää tällaisia tuotteita.

Tarkista MX125/SX125 ennen käyttöä – ylläpidä käytön jälkeen

- Varmista ennen käyttöä, että kaikki ketjuosujukset ja muut suojukset ovat paikoillaan ja käyttökunnossa, että jarru toimii kunnolla, että renkaat on täytetty kunnolla ja niiden kulutuspinna on riittävä.
- Huolla ja korjaa tämä tuote käytön jälkeen käyttööhojeessa olevien valmistajan ohjeiden mukaisesti. Käytä ainoastaan valmistajan hyväksymiä varaosia. Älä muuntele tätä tuotetta millään tavalla.

Hyväksyttävät ajotavat ja -olosuhteet – Vanhempien/aikuisten tulee keskustella näistä säännöistä lastensa kanssa.

Käytettävä suojavarusteita. Ei saa käyttää liikenteessä.

Missä tuotetta voi käyttää

- Ota aina selvää paikallisista laeista sekä säädöksistä ja noudata niitä, sillä niissä määrätään tuotteen sallitut ajopaikat. Pysy aina etäällä moottoriajoneuvoliikenteestä. Käytä tuotetta varovasti ainoastaan sallituissa paikoissa.
- Tätä tuotetta on tarkoitus käyttää yksityisalueilla ja suljetuilla ajoradoilla eikä julkisilla kaduilla tai jalkakäytävällä. Älä aja sähköajoneuvoa alueilla, joilla on jalankulku- tai ajoneuvoliikennettä.
- Aja varovaisesti. Varo jalankulkijoita, rullalautailijoita, rullaluistelijoita, potkulautailijoita, polkupyöräilijöitä, lapsia ja eläimiä, jotka voivat tulla tiellesi. Kunnioita muiden oikeuksia ja omaisuutta.
- Tämä tuote on tarkoitettu käytettäväksi tasaisilla ja kuivilla alustoilla, kuten päällystetyllä jalkakäytävällä tai tasaisella maalla, jossa ei ole kiviä, soraa tai roskia.
- Märät, liukkaat, epätasaiset ja karkeat alustat voivat heikentää renkaiden pitoa ja aiheuttaa onnettomuuksia.
- Älä käytä tätä tuotetta mudassa, jäällä, lätäköissä tai vedessä.
- Tarkkaile mahdollisia esteitä, jotka voivat tarttua pyörään tai aiheuttaa kaatumisen tai hallinnan menettämisen.
- Varo jyrkkiä kuoppia, viemäriaukkojen ristikoita ja äkillisiä alustan muutoksia,
- Älä aja tuotteella märeällä tai jäisellä säällä. Älä upota tuotetta veteen, sillä vesi voi vaurioittaa sähkö- ja ajolaitteita tai aiheuttaa vaarallisia tilanteita.
- Älä käytä tuotetta sisätiloissa matoilla tai lattiapäällysteillä, sillä potkulautailu voi vahingoittaa pintoja.
- Älä aja portaiden tai uima-altaiden lähellä.

Ajaminen

- Älä käytä kahvassa olevaa nopeuden säätöä (kaasukahva) ellet istu kunnolla MX125/SX125 päällä turvallisessa ulkoympäristössä, joka sopii ajamiseen.
- Pidä aina ajon aikana kahvoista kiinni.
- Tuotteen jarruihin tai moottoriin ei saa koskea sitä käytettäessä, sillä ne voivat kuumentua voimakkaasti.
- Vältä suuria nopeuksia esimerkiksi alamäkeen ajettaessa, sillä voit menettää potkulaudan hallinnan.
- Älä käytä potkulautaa öisin tai jos näkyvyys on heikko.
- Älä yritä tehdä temppejuja tuotteella. Sitä ei ole tehty kestäväksi esimerkiksi hyppäämistä, reunoilla grindausta tai muita temppejuja. Kilpa-ajo, temppejuilla ja muut liikkeet lisäävät hallinnan menettämisen vaaraa tai voivat saada ajajan reagoimaan hallitsemattomasti. Kaikki nämä voivat johtaa vakaavaan loukkaantumiseen tai jopa kuolemaan.
- Tuotteella saa ajaa vain yksi henkilö kerrallaan.
- Varo käsien, jalkojen, hiuksien, ruumiinosien, vaatteiden tai muiden vastaavanlaisten esineiden joutumista liikkuviin osiin, pyöriin tai voimansiirto-osiiin.
- Älä koskaan käytä kuulokkeita tai matkapuhelinta ajaessasi.
- Älä koskaan vedä itseäsi ja potkulautaasi toisen kulkuneuvon perässä.

Ajovarusteet, -vaatteet ja -kengät

- Käytä aina suojavarusteita, kuten hyväksyttyä kypärää (jonka leukanauha on kunnolla kiinni) sekä kyynär- ja polvisuojia. Paikallinen laki tai säädös voi velvoittaa käyttämään kypärää. Lisäksi suositellaan pitkähihaisen paidan, pitkien housujen ja käsineiden käyttämistä.
- Käytä ajamisen aikana aina urheilukenkiä (kumipohjaisia kenkiä, joissa nauhat ovat kengän päällä). Älä ikinä aja paljain jaloin tai sandaaleilla. Pidä kengännauhat sidottuina ja poissa pyöristä, moottorista ja ajojärjestelmästä.

Laturin käyttäminen

- Älä koskaan tee muutoksia sähköjärjestelmään. Muutokset voivat aiheuttaa tulipalon. Väärin tyyppisen akun tai laturin käyttäminen voi aiheuttaa räjähdyksen.
- ENNEN JOKAISTA AJOKERTAA: Lataa akkua VÄHINTÄÄN 12 tuntia ja täytä renkaisiin sopiva ilmanpaine.
- Ota pois päältä jokaisen käyttökerran jälkeen. Akku ei välttämättä lataudu, jos sitä ei käytetä ja se on jätetty ON (päällä) -asentoon.
- Älä säilytä akkua pakkasessa. Pakkanen vahingoittaa akkua pysyvästi.
- Tuotteen mukana tuleva laturi on tarkistettava säännöllisesti johdon, pistokkeen, kotelon ja muiden osien vaurioitumisen varalta. Jos tällaisia vaurioita on havaittavissa, tuotetta ei saa ladata, ennen kuin laturi on korjattu tai vaihdettu.
- Käytä ainoastaan Razorin suosittelemaa laturia.
- Laturi ei ole leikkikalu. Laturin käyttäminen on aikuisen tehtävä.
- Älä käytä laturia helposti syttyvien materiaalien tai avotulen lähellä.
- Kun laturia ei käytetä, irrota se tuotteesta.
- Älä lataa sähköpotkulautaa liian pitkään.
- Kytke tuote aina irti laturista ennen sen pyyhkimistä tai puhdistamista kostealla liinalla.



**SISÄLTÄÄ YHDEN SULJETUN, VUOTAMATTOMAN LYIJYAKUN.
AKUT ON TOIMITETTAVA KIERRÄTYKSEEN.**



AVERTISMENT. Pentru a evita accidentele grave: MĂSURI DE SIGURANȚĂ în timpul operării și întreținerii

Părinții/supraveghetorii trebuie să citească mai întâi această pagină

PĂRINȚII/SUPRAVEGHETORII TREBUIE SĂ-ÎN ÎNVEȚE PE COPIII UTILIZAREA ÎN SIGURANȚĂ A PRODUSULUI. Dacă utilizatorul nu se ghidează după bunul simț și nu respectă aceste avertismente, apare un risc mărit de vătămări sau leziuni grave și este posibilă chiar moartea.

Utilizarea acestui produs prezintă riscuri potențiale.

- La fel ca la orice alt produs cu roți, acest produs poate fi periculos (de exemplu, prin cădere sau dacă îl utilizați într-un mod periculos). Acest produs este, bineînțeles, proiectat să se miște și, în consecință, utilizatorul poate pierde controlul și se poate confrunta cu situații periculoase.
- Atât copiii, cât și adulții responsabili cu supravegherea copiilor trebuie să fie conștienți de faptul că, în astfel de situații, utilizatorul se poate răni grav sau poate surveni chiar moartea acestuia, chiar dacă folosește echipament de protecție sau au fost luate alte măsuri de siguranță.

UTILIZAREA SE FACE PE PROPRIUL RISC ȘI ÎN LIMITA BUNULUI SIMȚ.

Sunt necesare supraveghere și responsabilitatea din partea părinților și a adulților

Deoarece acest produs poate fi periculos și nu orice produs este adecvat vârstei sau înălțimii copilului – există diferite recomandări pentru această categorie de produse, în funcție de vârstă, al căror scop este de a reflecta natura pericolelor și capacitatea fizică și psihică necesară copilului pentru a putea evita aceste pericole. Părinții și adulții supraveghetorii trebuie să aleagă produse adecvate vârstei copilului care va utiliza acest produs și să nu permită copiilor cu vârste prea mici sau care nu sunt suficient de experimentați să utilizeze produsul.

- Vârsta recomandată pentru utilizarea acestui produs este de minim 7 ani. Un utilizator, chiar dacă are minim 7 ani, nu ar trebui să utilizeze produsul dacă dimensiunea produsului nu îi este adecvată. Decizia unui părinte de a permite copilului său să utilizeze produsul ar trebui să fie bazată pe maturitatea și capacitatea copilului de a respecta regulile. Nu lăsați produsul la îndemâna copiilor mici și rețineți faptul că este destinat utilizării de către persoane cărora le corespunde dimensiunea produsului.
- Greutatea maximă a utilizatorului este de 50 kg
- Persoanele cu orice afecțiuni psihice sau fizice care le predispun la accidentări, le afectează dexteritatea lor fizică sau capacitățile psihice de a recunoaște, înțelege, de a urmări instrucțiunile de siguranță și de a fi în măsură să înțeleagă pericolele inerente utilizării MX125/SX125, nu trebuie să utilizeze sau să aibă permisiunea de a utiliza produsele improprii capacităților lor. Persoanele cu boli de inimă, cap, spate sau boli de gât (sau care au suferit intervenții chirurgicale anterioare la aceste zone ale corpului), precum și femeile însărcinate, ar trebui să fie avertizate să nu utilizeze astfel de produse.

Verificați produsul MX125/SX125 înainte de utilizare – efectuați operații de întreținere după fiecare utilizare

- Înainte de utilizare, asigurați-vă că toate lanțurile, carcasa și protecțiile sunt la locul lor și în stare bună, că frânele funcționează corespunzător, că roțile sunt umflate adecvat și că suprafața de rulare este suficientă.
- După utilizare efectuați operații de întreținere și reparații ale produsului, în conformitate cu specificațiile producătorului cuprinse în acest manual. Utilizați doar piese de schimb autorizate de producător. Nu modificați configurația și proiectarea originale ale acestui produs.

Practici și condiții acceptate de utilizare – Părinții/adulții ar trebui să explice copiilor aceste reguli.

Purtați echipamentul de protecție atunci când utilizați produsul. A nu se utiliza în trafic.

Unde puteți conduce

- Verificați și respectați legislația locală privitoare la locurile unde poate fi utilizat produsul. Păstrați o distanță de siguranță față de autovehicule și motocicletă și utilizați produsul cu prudență și doar în locurile permise.
- Acest produs este destinat utilizării pe proprietăți particulare și pe trasee închise, nu pe străzi publice și nici pe trotuare. Nu va deplasați cu produsul electric în zone în care există trafic pietonal sau de vehicule.
- Utilizați cu prudență. Evitați pietonii, skaterii, skateboard-urile, scuterii, bicicletele, copiii sau animalele care vă ies în cale. Respectați drepturile și proprietatea celorlalți.
- Acest produs este destinat utilizării pe suprafețe netede, uscate, cum ar fi asfaltul sau terenul neted, fără diverse resturi, precum nisip, frunze, pietre sau pietricele.
- Suprafețele ude, lucioase, neregulate sau accidentate pot reduce tracțiunea și crește riscul de accidente.
- Nu conduceți produsul prin noroi, gheață, bălți sau apă.
- Atenție la posibilele obstacole în care puteți prinde roata scuterului sau care vă pot forța să virați brusc sau să pierdeți controlul.
- Evitați protuberanțele ascuțite, grilajele canalelor și schimbările bruște de suprafață.
- Nu utilizați produsul pe vreme ploioasă sau când e gheață pe jos și nu scufundați produsul în apă, deoarece componentele și circuitele electrice pot suferi avarii provocate de apă sau pot crea condiții de nesiguranță.
- Nu utilizați produsul în casă deoarece puteți deteriora suprafețe cum ar fi covorele sau podelele.
- Nu utilizați scuterul în apropierea scârilor sau a piscinelor.



Cum să conduceți

- Nu utilizați controlul pentru viteză (dispozitivul de prindere regulator) de pe mâner decât atunci când v-ați urcat pe MX125/SX125 și vă aflați afară, într-un mediu adecvat pentru a utiliza produsul.
- Țineți-vă în permanență de mânăre atunci când folosiți produsul.
- Nu atingeți frâna sau motorul produsului în timpul folosirii sau imediat după folosire deoarece acestea se pot încălzi foarte tare.
- Evitați să mergeți cu viteză, ca de exemplu, atunci când coborâți un deal, deoarece puteți pierde controlul.
- Nu utilizați produsul noaptea sau în condiții de vizibilitate redusă.
- Nu încercați să efectuați cascadorii sau acrobații cu produsul. Produsul nu este suficient de puternic să reziste la utilizarea incorectă, cum ar fi săriturile, trecerea peste borduri sau orice alt tip de cascadorii. Cursele, cascadoriile sau alt gen de acrobații duc la creșterea riscului de a pierde controlul sau pot cauza reacții sau acțiuni necontrolate ale utilizatorului. Toate acestea pot cauza accidente grave sau chiar moartea.
- Nu permiteți utilizarea produsului de către mai mult de o persoană o dată.
- Evitați contactul mâinilor, picioarelor, părului, corpului, hainelor sau articolelor textile similare cu piesele mobile, cu roțile sau cu lanțul de acționare.
- Nu utilizați căști sau telefoane mobile atunci când utilizați produsul.
- Nu vă luați la întrecere cu un alt vehicul.

Încălțăminte, haine și echipament adecvate pentru utilizare

- Purtați întotdeauna echipament de protecție corespunzător, precum cască de siguranță aprobată (asigurând bine cureaua sub bărbie), cotiere și genunchere. Este posibil ca purtarea căștii de protecție să fie prevăzută de legislația locală. În plus, este recomandat să purtați bluză cu mânecă lungă, pantaloni lungi și mănuși.
- Purtați întotdeauna pantofi sport (pantofi cu șiret și talpă din cauciuc), nu utilizați produsul cu tălpile goale sau în sandale și evitați contactul șireturilor cu roțile, motorul și sistemul de acționare.

Utilizare încărcătorului

- Nu modificați niciodată sistemul electric. Aceste modificări pot cauza incendii. Utilizarea unui tip de acumulator sau încărcător necorespunzător poate cauza o explozie.
- ÎNAINTE DE FIECARE UTILIZARE: Încărcați bateria pentru cel puțin 12 ore înainte de fiecare utilizare și umflați roțile la presiunea optimă.
- Stingeti bateria după fiecare utilizare. Este posibil ca bateria să nu se poată încărca dacă este lăsată aprinsă fără a fi utilizată.
- NU depozitați la temperaturi scăzute sau de îngheț! Înghețul va deteriora permanent bateria.
- Încărcătorul furnizat împreună cu acest produs trebuie să fie verificat cu regularitate pentru a se evita deteriorarea cablului, a ștecărului, a carcasei sau a altor piese. În cazul unor astfel de defecțiuni, nu încărcați produsul până la repararea sau înlocuirea încărcătorului.
- Utilizați doar încărcătorul recomandat de Razor.
- Încărcătorul nu este o jucărie. Acesta trebuie utilizat de către un adult.
- Nu utilizați încărcătorul în apropiere de materiale inflamabile sau de foc deschis.
- Scoateți încărcătorul din priză sau deconectați-l de la produs atunci când nu îl folosiți.
- Nu depășiți timpul de încărcare.
- Întotdeauna deconectați produsul de la încărcător înainte de a-l șterge sau curăța cu ajutorul lichidelor.

Garanție limitată:

Garanția limitată este singurul tip de garanție pentru acest produs. Nu există niciun alt fel de garanție explicită sau implicită. Producătorul garantează faptul că acest produs nu conține defecte de fabricație pe o perioadă de 90 de zile de la data achiziției. Această garanție limitată va deveni nulă în cazul în care produsul:

- este utilizat în alte scopuri decât pentru agrement sau transport;
- suferă orice fel de modificări;
- este închiriat.



**CONȚINE O BATERIE ACIDĂ CU PLUMB SIGILATĂ.
BATERIILE TREBUIE REICLATE.**



! VÝSTRAHA. Aby ste predišli vážnym poraneniam:
BEZPEČNOSTNÉ OPATRENIA počas prevádzky a údržby
 Rodičia/dospelý dozor by si mali najprv prečítať túto stránku

RODIČIA/DOSPELÉ DOZERAJÚCE OSOBY MUSIA DIEŤA NAUČIŤ BEZPEČNEJ JAZDE NA TOMTO VÝROBKU. Ak jazdec prestane využívať štandardný úsudok a prestane dbať na tieto výstrahy, existuje zvýšené riziko poškodenia, vážneho poranenia alebo novej smrti.

Jazda na tomto výrobku predstavuje potenciálne riziká.

- Ako akýkoľvek iný výrobok na jazdenie, aj tento výrobok môže byť nebezpečný (napríklad pád alebo jazda do nebezpečnej situácie). Tento výrobok samozrejme slúži na pohyb a preto existuje možnosť, že jazdec stratí kontrolu, alebo sa akýmkoľvek iným spôsobom dostane do nebezpečných situácií.
- Deti aj dospelé osoby za nich zodpovedné musia rešpektovať skutočnosť, že ak k takýmto situáciám dôjde, jazdec sa môže vážne poraniť a aj zomrieť, a to aj pri používaní bezpečnostných prostriedkov a dodržiavaním ďalšie bezpečnostné opatrenia.

POUŽÍVAJTE NA VLASTNÉ RIZIKO A POUŽÍVAJTE ZDRAVÝ ÚSUDOK.

Vyžaduje sa zodpovednosť a dozor rodiča a dospelé osoby

Pretože tento výrobok môže byť nebezpečný a nie každý výrobok je vhodný pre každý vek alebo veľkosť dieťaťa, v rámci tejto kategórie výrobku nájdete rôzne vekové kategórie, ktoré sú určené na poukázanie na charakter rizik a očakávanú duševnú alebo fyzickú schopnosť (alebo obidve) dieťaťa, aby si v týchto rizikových situáciách dokázalo poradiť. Rodičia a dozerajúce dospelé osoby musia vybrať jazdné výrobky vhodné pre vek dieťaťa, ktoré bude tomtó výrobku jazdiť a musia sa postarať o to, aby zabránili dieťaťu, ktoré je veľmi malé alebo neskúsené pri porovnaní s charakteristikami výrobku, aby ohrozilo svoju osobu a ostatných.

- Odporúčaný vek jazdca na tomto výrobku je minimálne 7 rokov. Ktorýkoľvek jazdec, hoci aj starší ako 7 rokov, ktorý nedokáže postačujúcim spôsobom používať tento výrobok, by sa nemal pokúšať na ňom jazdiť. Rozhodnutie rodiča ohľadne povolenia dieťaťu jazdiť na tomto výrobku by malo byť založené na zrelosti dieťaťa, skúsenostiach a schopnosti dodržiavať pravidlá. Tento výrobok uschovajte mimo dosahu malých detí a zapamätajte si, že je určený len na používanie osobami, ktoré sú minimálne úplne schopné a zodpovedné na používanie tohto výrobku.
- Maximálna hmotnosť jazdca je 50 kg
- Osoby s akýmkoľvek duševným alebo fyzickým stavom, kvôli ktorému možno pripustiť poranenie alebo zhoršenie ich fyzickej obratnosti alebo duševných schopností rozpoznať, pochopiť a dodržiavať bezpečnostné opatrenia a dokázať pochopiť riziká vlastné pre používanie výrobku MX125/SX125, by nemali alebo by mali mať zakázané používať výrobok, ktorý nie je pre ne vzhľadom na ich stav vhodný. Osoby so srdcovými ťažkosťami, chorobami hlavy, chrbta alebo krku (alebo osoby, ktoré podstúpili operácie týchto častí tela), ako aj tehotné ženy je nutné upozorniť na to, aby takéto výrobky nepoužívali.

Pred použitím štvorkolku MX125/SX125 skontrolujte – po použití vykonajte údržbu

- Pred použitím sa presvedčte, že každý a všetky chrániče reťaze alebo iné kryty a chrániče sú na svojom mieste a sú vo funkčnom stave, že brzda funguje správne a že pneumatiky sú dostatočne nahustené a majú postačujúcu hrúbku dezénu.
- Po použití vykonajte údržbu a opravy tohto výrobku v zmysle špecifikácií výrobcu, ktoré sú uvedené v tomto návode. Používajte iba náhradné súčiastky autorizované výrobcom. Tento výrobok neupravujte tak, aby ste zmenili originálny dizajn a konfiguráciu výrobku.

Prijateľné jazdné praktiky a podmienky – rodičia/dospelé osoby by mali tieto pravidlá prediskutovať so svojimi deťmi. Mali by sa používať ochranné prostriedky. Nesmie sa používať v rámci premávky.

Kde možno jazdiť

- Vždy si pozrite a dodržiavajte miestne zákony a nariadenia, ktoré môžu mať vplyv na miesta, kde sa môže tento výrobok používať. Vždy jazdite v bezpečnej vzdialenosti od automobilovej dopravy a motorových vozidiel, používajte len na miestach, kde je to dovolené a pritom dávajte pozor.
- Tento výrobok je určený na používanie na privátnych pozemkoch a na uzavretých plochách; nie je určený na používanie na verejných uliciach či chodníkoch. Svojím elektrickým výrobkom nejazdite na miestach, kde sú prítomní chodci, alebo na miestach s verejnou premávkou.
- Jazdite defenzívne. Dávajte pozor a vyhýbajte sa chodcom, korčuľiarom, skejtbordistom, jazdcom na kolobežkách, cyklistom, deťom alebo zvieratám, ktoré môžu vstúpiť do vašej trasy. Rešpektujte práva a majetok ostatných.
- Tento výrobok je určený na použitie na rovných, suchých povrchoch, ako je dláždenná plocha alebo rovná zem bez voľných úlomkov, ako je piesok, listie, kamene alebo štrk.
- Mokré, šmyklivé, hrbolaté, nerovné alebo drsné povrchy môžu znížiť trakciu a zvýšiť riziko nehôd.
- Týmto výrobkom nejazdite po blate, lade, mlákach alebo vode.
- Dávajte pozor na potenciálne prekážky, ktoré by sa mohli zachytiť kolesom alebo vás prinútiť náhle uhnúť alebo stratiť kontrolu.
- Vyhňte sa ostrým hrbolom, drenážnym mriežkam a náhlým zmenám povrchu.
- Týmto výrobkom nejazdite počas mokrého alebo mrazivého počasia a tento výrobok nikdy neponárajte do vody, pretože elektrické a hnacie prvky by sa mohli poškodiť, alebo by dôsledkom mohol byť vznik nebezpečných podmienok.
- Používaním tohto výrobku v interiéri nikdy neriskujete poškodenie povrchov, ako sú koberec alebo podlahové krytiny.
- Nikdy nepoužívajte v blízkosti schodov alebo plaveckých bazénov.



Spôsob jazdy

- Nepoužívajte ovládač rýchlosti (škrtiaca klapka otočného držadla) na ručnom držadle, kým na štvorkolke MX125/SX125 úplne nesedíte a kým nie ste v bezpečnom exteriérovom prostredí vhodnom na jazdenie.
- Počas jazdy vždy držte riadidlá.
- Brzdy ani motora výrobku sa nedotýkajte počas používania ani okamžite po jazde, pretože tieto diely môžu byť veľmi horúce.
- Vyhnite sa vysokým rýchlostiam, ako je to v prípade jász dolu kopcom, kde môžete stratit kontrolu.
- Nejazdite v noci ani za obmedzenej viditeľnosti.
- Na výrobku sa nepokúšajte stvárať kaskadérské kúsky ani triky. Výrobok nie je dost silný na to, aby vydržal nesprávne používanie alebo zlé zaobchádzanie, ako je skákanie, šmýkanie na obrubníkoch alebo podobné typy kaskadérskych kúskov. Pretekanie, kaskadérské jazdenie alebo iné manévry taktiež zvyšujú riziko straty kontroly alebo môžu spôsobiť nekontrolované akcie a reakcie jazdca. Všetky z uvedených skutočností by mohli mať za následok vážne poranenie alebo možnú smrť.
- Nikdy nedovoľte, aby na tomto výrobku naraz jazdila viac ako jedna osoba.
- Zabráňte, aby ruky, nohy, vlasy, časti tela, odev alebo podobné predmety prišli do kontaktu s pohyblivými dielmi, kolesami alebo hnacím ústrojenstvom.
- Počas jazdy nikdy nepoužívajte slúchadlá ani mobilný telefón.
- Nikdy nejazdite v závese za iným vozidlom.

Správne prostriedky, odev a obuv na jazdu

- Vždy používajte správne ochranné prostriedky, ako je schválená bezpečnostná prilba (s popruhom na bradu správne zaisteným sponou), chrániče na lakte a chrániče na kolená. Používanie prilby môže legislatívne ustanovovať miestny zákon alebo nariadenie vo vašej oblasti. Okrem toho odporúčame používať košeľu s dlhými rukávami, dlhé nohavice a rukavice.
- Vždy používajte atletickú obuv (šnurovacia obuv s gumovou podrážkou), nikdy nejazdite naboso alebo v sandáloch a šnúrkový majte uviazané mimo dosahu kolies, motora a hnacieho systému.

Používanie nabíjačky

- Nikdy neupravujte elektrický systém. Vykonanie úpravy môže mať za následok vznik požiaru. Použitie nesprávnej batérie alebo nabíjačky môže mať za následok explóziu.
- PRED KAŽDÝM POUŽITÍM: Pred každým použitím nechajte batériu nabíjať počas doby aspoň 12 hodín a pneumatiky nahustite na správnu hodnotu PSI.
- Po každej jazde vypnite. Ak ponecháte bez používania, batéria sa nebude musieť dať nabiť.
- NESKLADUJTE pri teplotách nižších ako je teplota mraznutia! Teploty mraznutia trvalo poškodia batériu.
- Nabíjačku dodávanú s týmto výrobkom by ste mali pravidelne kontrolovať z pohľadu poškodenia kábľa, zástrčky, krytu a ostatných dielov, a v prípade takýchto poškodení sa nesmie výrobok nabíjať až do opravenia alebo výmeny nabíjačky.
- Používajte len nabíjačku, ktorú odporúča Razor.
- Nejde o hračku. Nabíjačku smie obsluhovať len dospelá osoba.
- Nabíjačku nepoužívajte v blízkosti horľavých materiálov alebo otvoreného plameňa.
- Ak nabíjačku nepoužívate, odpojte ju od prívodu elektrickej energie aj od výrobku.
- Neprekračujte dobu nabíjania.
- Výrobok vždy odpojte od nabíjačky pred utieraním alebo čistením pomocou vlhkej tkaniny.

Obmedzená záruka:

Táto obmedzená záruka sa vzťahuje jedine na tento výrobok. Neexistuje žiadna iná výslovná alebo implicitná záruka.

Výrobca garantuje, že u tohto výrobku sa počas doby 90 dní od dátumu zakúpenia nevyskytnú výrobné chyby.

Platnosť tejto obmedzenej záruky sa skončí, ak bude výrobok:

- používaný iným spôsobom, ako na rekreačné a prepravné účely;
- akýmkoľvek spôsobom upravovaný;
- požičiavaný.



**OBSAHUJE JEDNU UTESNENÚ NEVYTEKAJÚCU OLOVENÚ BATÉRIU.
BATÉRIE SA MUSIA RECYKLOVAŤ.**



⚠ UPOZORNĚNÍ. Aby nedošlo k vážnému zranění: BEZPEČNOSTNÍ POKYNY k provozu a údržbě

Prosíme rodiče/dospělý dozor, aby nejprve prostudovali tuto stránku

POVINNOSTÍ RODIČŮ/DOHLÍŽEJÍCÍCH DOSPĚLÝCH OSOB JE NAUČIT DĚTI BEZPEČNĚ JEZDIT NA TOMTO VÝROBKU. Pokud uživatel nebude dodržovat zásady zdravého rozumu a dbát na tato varování, je zde zvýšené riziko vážného zranění, případně i úmrtí.

Jízda na tomto výrobku s sebou nese možná rizika.

- Stejně jako u každého jiného dopravního prostředku může být nebezpečná i jízda na tomto výrobku (například při pádu nebo výskytu jiných nebezpečných situací). Tyto výrobky jsou samozřejmě určeny k pohybu, a proto je možné, že jezdec ztratí kontrolu nebo se jiným způsobem dostane do nebezpečných situací.
- Jak děti, tak dospělí odpovědní za dohled nad nimi si musí uvědomit, že pokud k takovéto situaci dojde, jezdec se může vážně zranit, případně i zemřít, a to i při použití bezpečnostních pomůcek a přijmutí dalších bezpečnostních opatření.

POUŽITÍ JE NA VLASTNÍ NEBEZPEČÍ, ŘÍDTE SE PŘEDEVŠÍM ZDRAVÝM ROZUMEM.

Je nutné zajistit dohled rodičů nebo jiných dospělých osob, které nesou veškerou odpovědnost

Vzhledem k tomu, že tento výrobek může být nebezpečný, a ne každý výrobek je vhodný pro dítě jakéhokoliv věku či velikosti - v této kategorii výrobků jsou uvedena různá věková doporučení, které mají odrážet povahu rizika a očekávané duševní nebo fyzické schopnosti dítěte, případně obojí, v zájmu zvládnutí možných rizik. Rodiče a dohlížející dospělé osoby jsou povinny vybrat výrobek vhodný vzhledem k věku dítěte, které bude na tomto výrobku jezdit, a zabránit možnému riziku, pokud by tento výrobek používalo příliš malé nebo nezkušené dítě a ohrozilo by tím samo sebe nebo své okolí.

- Doporučený věk uživatele tohoto výrobku je 7 let a více. Jakýkoliv uživatel, byť starší 7 let, který není schopen na koloběžce pohodlně jezdit, by se jí neměl pokoušet používat. Rozhodnutí rodičů umožnit svému dítěti jízdu na tomto výrobku by mělo vycházet z vyspělosti, dovedností a schopnosti dítěte dodržovat pravidla. Udržujte tento výrobek mimo dosah malých dětí a pamatujte, že je určen pro použití pouze osobami, které jsou při ovládnutí tohoto výrobku minimálně ve zcela klidném a způsobilém stavu.
- Maximální váha jezdce je 50 kg
- Osoby s mentálním nebo tělesným postižením, které by mohlo být příčinou zranění nebo negativně ovlivnit jejich tělesnou zručnost nebo duševní schopnosti rozpoznat, pochopit a dodržovat bezpečnostní pokyny, stejně jako pochopit rizika spojená s použitím MX125/SX125, nesmí výrobek používat, ani jím to nesmí být povoleno. Osoby se srdečními potížemi, onemocněním hlavy, zad nebo šíje (nebo před operací těchto částí těla), nebo těhotné ženy, by měly být upozorněny, aby tyto výrobky nepoužívaly.

Kontrola čtyřkolky MX125/SX125 před použitím – Údržba po použití

- Před použitím zkontrolujte nasazení a provozuschopný stav všech krytů řetězu a jiných krytů či ochranných prvků, dále zkontrolujte správnou funkci brzdy a dostatečný dezén a nahuštění pneumatik.
- Po použití zajistěte údržbu a opravy výrobku v souladu se specifikacemi výrobce uvedenými v tomto návodu. Používejte pouze náhradní díly schválené výrobcem. Výrobek nijak neupravujte v rozporu s původním designem a konfigurací výrobce.

Přijatelná technika a podmínky jízdy - Rodiče/dospělí jsou povinni své děti seznámit s těmito pravidly.

Doporučuje se používat ochranné pomůcky. Není určeno k použití v silničním provozu.

Kde jezdit

- Vždy ověřte a dodržujte místní zákony či předpisy, které se mohou vztahovat na místa, kde se výrobek používá. Vždy udržujte bezpečnou vzdálenost od automobilů a silničního provozu a jezděte pouze tam, kde je to povoleno a se zvýšenou opatrností.
- Tento výrobek je určen k použití na soukromém pozemku a na uzavřených drahách, nikoliv na veřejných ulicích nebo chodnících. Nedovolte, aby se na vašem elektrickém výrobku jezdilo v oblastech s provozem vozidel.
- Jezděte opatrně. Dávejte pozor na chodce, bruslaře, skateboardisty, jezdce na koloběžce, kole, děti či zvířata, které vám mohou vstoupit do cesty. Respektujte práva a majetek druhých osob.
- Výrobek je určen k používání na plochém a suchém povrchu, např. chodniku nebo rovině bez překážek, např. písku, listí, kamenů či štěrku.
- Mokrý, hladký, hrbolatý, nerovný či drsný povrchy mohou zhoršit trakci a zvýšit riziko nehody.
- Na výrobku nejezděte v bahně, na náledí, v kalužích nebo ve vodě.
- Dávejte pozor na potenciální překážky, které by se mohly zachytit o kolo nebo vás donutit náhle změnit směr nebo ztratit kontrolu.
- Vyhnete se ostrým hrbolům, roštům kanálů a náhlým změnám povrchu.
- Na výrobku nejezděte za mokra nebo v ledovém počasí a výrobek nikdy neponořujte do vody, elektrické a hnací prvky se by mohly vodou poškodit nebo vytvořit jiné pravděpodobně nebezpečné podmínky.
- Nikdy neriskujte poškození povrchů, např. koberce nebo podlahy, používáním výrobku v interiéru.
- Nepoužívejte v blízkosti schodů nebo ploven.



Způsob jízdy

- Regulátor rychlosti (plyn v rukojeti) používejte pouze pokud jste na čtyřkolce MX125/SX125 a v bezpečném venkovním prostředí vhodném pro jízdu.
- Po celou dobu jízdy se držte řídítek.
- Během používání nebo ihned poté se nedotýkejte brzdy ani motoru na výrobku, tyto části se mohou zahřát na velmi vysokou teplotu.
- Nejezděte vysokou rychlostí, zejména při jízdě ze svahu, kdy může dojít ke ztrátě kontroly.
- Nejezděte v noci nebo za snížené viditelnosti.
- Na výrobku se nepokoušejte o akrobatické kousky. Tento výrobek není dostatečně pevný k tomu, aby odolával nesprávnému používání skákáním, najížděním na obrubník nebo jiným typům akrobacie. Riziko ztráty kontroly zvyšuje také závodění, kaskadérství a další manévry, které mohou způsobit nekontrolované jednání či reakce jezdce. Takové chování může mít za následek vážné zranění, případně i úmrtí.
- Na výrobku nikdy nevozte spolujezdce ani nedovolte, aby na něm jezdila více než jedna osoba.
- Dbejte, aby se do kontaktu s pohyblivými částmi, koly nebo hnacím ústrojím nedostaly ruce, nohy, vlasy, části těla, oblečení apod.
- Při jízdě nikdy nepoužívejte sluchátka nebo mobilní telefon.
- Nikdy nejezděte zavěšeni za jiným vozidlem.

Řádné ochranné pomůcky, oděv a obuv

- Vždy noste vhodné ochranné vybavení, např. schválenou ochrannou přilbu (s podbradním řemínkem upevněným přezkou), náloketníky a nákolenníky. Přilba může být ve vaší zemi ze zákona povinná. Kromě toho se doporučuje nosit, košili s dlouhým rukávem, dlouhé nohavice a rukavice.
- Vždy noste sportovní obuv (šněrovací obuv s gumovou podrážkou), nikdy nejezděte na bosu nebo v sandálech a tkaničky mějte vždy zavázané a mimo dosah kol, motoru a hnacího systému.

Používání nabíječky

- Nikdy neprovádějte změny elektrického systému. V případě změny by mohlo dojít k požáru. V případě použití nesprávného typu akumulátoru nebo nabíječky může dojít k výbuchu.
- PŘED KAŽDÝM POUŽITÍM: Před každým použitím nabijte baterii po dobu alespoň 12 hodin a pneumatiky nahustěte na správný tlak.
- Vypnout po každé jízdě. Pokud se baterie ponechají zapnuté, i když nejsou používány, mohou ztratit schopnost dobíjení.
- Nikdy neskladujte v mrazu! Teploty pod bodem mrazu způsobí trvalé poškození baterie.
- Pravidelně kontrolujte, zda kabel, konektor, kryt a jiné části nabíječky dodávané spolu s výrobkem nejsou poškozené, a v případě poškození se výrobek nesmí nabíjet, dokud nabíječka nebude opravena nebo vyměněna.
- Používejte pouze nabíječku doporučenou společností Razor.
- Nabíječka není na hraní. Měla by ji obsluhovat dospělá osoba.
- Nabíječku nezapínejte v blízkosti hořlavých materiálů nebo otevřeného ohně.
- Pokud se nabíječka nepoužívá, vytáhněte ji ze zásuvky a odpojte ji od výrobku.
- Nepřekračujte dobu nabíjení.
- Před otíráním či čištěním vlhkým hadříkem výrobek vždy odpojte od nabíječky.

Omezená záruka:

Tato omezená záruka je jedinou zárukou na tento výrobek. Žádná jiná výslovná nebo implicitní záruka neexistuje.

Výrobce poskytuje záruku na výrobní vady tohoto výrobku na dobu 90 dnů od data zakoupení.

Tato omezená záruka zaniká v případě:

- použití výrobku pro jiné účely než pro rekreaci nebo dopravu;
- jakýchkoli úprav výrobku;
- pronájmu výrobku.



**OBSAHUJE JEDEN UTĚSNĚNÝ AKUMULÁTOR NA BÁZI OLOVA A KYSELINY.
AKUMULÁTOR JE NUTNĚ RECYKLOVAT.**



⚠ ПРЕДУПРЕЖДЕНИЕ. За да избегнете сериозно нараняване: **МЕРКИ ЗА БЕЗОПАСНОСТ** по време на употреба и поддръжка **Родители/възрастни, прочетете първо тази страница**

РОДИТЕЛИТЕ/ВЪЗРАСТНИТЕ, ОСЪЩЕСТВЯВАЩИ НАДЗОР, ТРЯБВА ДА НАУЧАТ ДЕЦАТА КАК ДА ИЗПОЛЗВАТ ТОЗИ ПРОДУКТ БЕЗОПАСНО. Ако потребителят не използва здрав разум и не спазва тези предупреждения, това увеличава риска от щети, сериозни наранявания или дори смърт.

Използването на този продукт е свързано с потенциални рискове.

- Като всеки подобен продукт, този продукт може да бъде опасен (например, можете да паднете или да се озовете в опасна ситуация) Този продукт, съвсем естествено, е създаден да се движи и е възможно потребителят да изгуби управление или да се озове в опасна ситуация.
- Както децата, така и възрастните, които осъществяват надзор над тях, трябва да осъзнават, че ако се случи нещо такова, потребителят може да бъде сериозно наранен или дори да умре, дори и когато използва предпазни средства и предприема други мерки за безопасност.

ИЗПОЛЗВАЙТЕ НА СВОЙ СОБСТВЕН РИСК И ПРОЯВЯВАЙТЕ ЗДРАВ РАЗУМ.

Необходимо е родителите или възрастните, които осъществяват надзор, да бъдат отговорни.

Понеже този продукт може да бъде опасен, а и не всеки продукт е подходящ за всяка възраст или ръст деца – за тази категория продукти има различни препоръки в зависимост от възрастта, които отразяват естеството на опасностите и необходимите умствени и физически способности (или и двете) на детето, за да може то да се справи с опасностите. Родителите и възрастните, които упражняват контрол, трябва да избират превозните средства така, че те да бъдат подходящи за възрастта на детето, което ще ползва този продукт, и да не допускат дете, което не е достатъчно зряло или опитно за конкретен продукт, да го ползва.

- Препоръчителната възраст на потребителя за този продукт е над 7 години. Всеки потребител, дори и на 7 или повече години, който не може да седне удобно на този продукт, не трябва да се опита да го кара. Решението на родителя дали да разреши на детето си да използва този продукт, трябва да вземе предвид възрастта, уменията и способността на детето да спазва правилата. Дръжте продукта далече от малки деца и запомнете, че той е предназначен за употреба само от лица, които най-малкото могат да карат този продукт напълно удобно и правилно.
- Максимално тегло на потребителя 50 kg
- Лица с умствени или физически заболявания, които може да се влят предпоставка за нараняване или да попречат на физическите им умения или умствените им способности да разбират и следват инструкциите за безопасност, както и да разбират с какви рискове е свързана употребата на MX125/SX125, не трябва да използват и не трябва да им бъде разрешено да използват продукти, които са неподходящи за техните способности. Лица със сърдечни заболявания и лица, които страдат от болки в главата, гърба или врата (или са претърпели преди това операции на тези части на тялото), както и бременни жени, не трябва да боравят с такива продукти.

Проверка на MX125/SX125 преди употреба – поддръжка след употреба

- Преди употреба проверете дали всички предпазителите за веригата и останалите капаци и водачи са на местата си и дали са в добро състояние, дали спиратката работи и дали гумите са напомнани добре и грайферът им не е износен.
- След употреба, извършете дейностите по поддръжка и ремонт на този продукт, съгласно спецификациите на производителя в това ръководство. Използвайте само одобрени от производителя резервни части. Не променяйте този продукт от оригиналния дизайн и конфигурация на производителя.

Приемливи начини на каране и условия – Родителите/възрастните трябва да обсъдят тези правила с децата си. Трябва да бъде носено защитно оборудване. Да не се използва по улиците.

Къде да се кара

- Проверете и спазвайте местните закони и разпоредби, които указват къде може да се използва този продукт. Дръжте се през цялото време на безопасно разстояние от автомобилни и автомобилния трафик и използвайте продукта само там, където е позволено, като проявявате необходимото внимание.
- Този продукт е предназначен да бъде използван върху терени, които са частна собственост, и на затворени писти, а не на обществени улици или тротоари. Не карайте своя електрически продукт на места, където се движат пешеходци или превозни средства.
- Карайте защитно. Внимавайте са избягвате пешеходци, къкьори, скейтбордисти, скутери, велосипеди, деца или животни, които може да ви излязат на пътя. Уважавайте правата и собствеността на другите.
- Този продукт е предназначен за употреба върху равни, сухи повърхности като пътна настилка или равна земя без пясък, листа, камъни или чакъл.
- Мокри, хлъзгави, неравни или груби повърхности може да намалат сцеплението и да увеличат риска от инциденти.
- Не карайте този продукт върху кал, лед, локви или вода.
- Внимавайте за потенциални препятствия, които може да закачат колелото или да ви принудят да завиете рязко, или да изгубите контрол.
- Избягвайте бабуни, капаци на шахти и резки промени на повърхността.
- Не карайте този продукт върху мокри или заледени повърхности и никога не го потапяйте във вода, понеже електрическите и задвижващите компоненти може да се повредят от водата или да създадат други потенциално опасни условия.
- Никога не използвайте този продукт на закрито, тъй като рискувате да повредите повърхности като килими или подови настилки.
- Никога не използвайте продукта в близост до стълби или басейни.



Как да се кара

- Не използвайте контрола на скоростта (ръкохватката за газта) на кормилото, освен ако вече не сте седнали изцяло в MX125/SX125 и не сте на безопасно място на открито, което е подходящо за каране.
- Дръжте дръжките на кормилото постоянно докато карате.
- Не пийвайте спирачката или мотора на продукта по време на употреба или скоро след това, понеже тези части могат да станат много горещи.
- Избягвайте високи скорости, като например при спускане по наклон, при които можете да изгубите управлението.
- Не карайте през нощта или при лоша видимост.
- Не се опитвайте да правите номера или каскади с този продукт. Продуктът не е достатъчно здрав, за да издържи лошо отношение и натоварване като например скачане, триене в тротоара или други подобни. Състезанията, каскадите и други подобни маневри също увеличават риска от изгубване на управлението и може да предизвикат неконтролирани действия или реакции на потребителя. Всички те може да доведат до сериозно нараняване или дори смърт.
- Никога не позволявайте повече от един човек да кара този продукт.
- Не позволявайте на ръце, крака, коса, части на тялото, дрехи или подобни предмети да влязат в контакт с движещи се части, колела или задвижващи елементи.
- Никога не използвайте слушалки или мобилен телефон докато карате.
- Никога не се хващайте за друго превозно средство докато карате.

Подходяща екипировка, дрехи и обувки

- Носете винаги подходящо защитно оборудване като одобрена каска (със закопчана каишка под брадата), налакътници и наколенки. Носенето на каска може да е задължително на мястото, където живеете, съгласно местното законодателство. В допълнение, блуза с дълги ръкави, дълъг панталон и ръкавици са препоръчителни.
- Винаги носете спортни обувки (с връзки и гумени подметки), никога не карайте с боси крака или със сандали, като държите връзките на обувките си завързани и далече от колелата, мотора и задвижващата система.

Използване на зарядното

- Не модифицирайте електрическата система. Промените могат да станат причина за пожар. Употребата на неправилен вид батерия или зарядно може да предизвика експлозия.
- ПРЕДИ ВСЯКА УПОТРЕБА: Зареждайте батерията в продължение на поне 12 часа преди всяка употреба и дръжте гумите напомяни на правилното налягане.
- Изключвайте след всяка употреба. Ако оставите продукта включен, когато не го използвате, батерията може да не е в състояние да се презареди.
- НЕ съхранявайте при температури около или под нулата! Температурите под нулата ще увредят необратимо батерията.
- Зарядното, което се доставя с този продукт трябва периодично да се проверява за повреди по кабела, щепсела и корпуса, като в случай на такава повреда продуктът не трябва да бъде зареждан, докато зарядното не бъде ремонтирано или подменено.
- Използвайте само зарядно, препоръчано от Razor.
- Зарядното не е играчка. С него трябва да работят само възрастни.
- Не работете със зарядното в близост до запалими материали или открит пламък.
- Изключвайте зарядното от електрическата мрежа и от продукта, когато не го използвате.
- Не надвишавайте времето за зареждане.
- Винаги изключвайте продукта от зарядното преди да го бършете или почиствате с влажен парцал.

Ограничена гаранция:

Тази ограничена гаранция е единствената гаранция за този продукт. Не съществува друга пряка или косвена гаранция. Производителът гарантира, че този продукт няма да прояви производствени дефекти за период от 90 дни след датата на покупката. Тази ограничена гаранция ще бъде невалидна ако продуктът някога е бил:

- използван за цел различна от забавление и транспорт;
- модифициран по какъвто и да било начин;
- даван под наем.



СЪДЪРЖА ЕДНА ЗАПЕЧАТАНА НЕРАЗЛИВАЕМА ОЛОВНА АКУМУЛАТОРНА БАТЕРИЯ. БАТЕРИИТЕ ТРЯБВА ДА БЪДАТ РЕЦИКЛИРАНИ.



**⚠ UYARI. Ciddi yaralanmaları önlemek için:
Çalıştırma ve bakım süresince GÜVENLİK ÖNLEMLERİ
Ebeveynler/yetişkin gözetmenler önce bu sayfayı okumalıdır**

EBEVEYNLER/GÖZETMENLİK YAPAN YETİŞKİNLER ÇOCUKLARA BU ÜRÜNE NASIL GÜVENLİ ŞEKİLDE BİNİLECEĞİNİ ÖĞRETMELİDİRLER. Eğer binen kişi sağduyusunu kullanamaz ve bu uyarıları dikkate almazsa; artmış hasar, ciddi sakatlanma ya da muhtemel ölüm riski bulunmaktadır.

Bu Ürüne Binmek Potansiyel Riskler Taşır.

- Diğer biniş ürünlerinde olduğu gibi bu ürün de tehlikeli olabilir (örneğin düşmek veya tehlikeli bir durumda binmek gibi). Bu ürün hareket anlanına gelir ve bu yüzden binicinin kontrolünü kaybetmesi veya tehlikeli durumlara düşmesi mümkün olabilmektedir.
- Gerek çocuklar gerekse çocukları gözetim altında tutmaktan sorumlu yetişkinler olsun, böyle bir durumda güvenlik ekipmanı kullanılıyor ve diğer güvenlik önlemleri alınmış olsa bile, binicinin ciddi biçimde sakatlanabileceğinin veya ölebileceğinin bilincinde olmalıdırlar.

KULLANIM RISKİ SİZE AITTIR VE SAĞDUYU İLE KULLANINIZ.

Ebeveyn ve Yetişkin Sorumluluğu ile Gözetimi Gereklemektedir

Bu ürün tehlikeli olabildiğinden ve her ürün her yaştan çocuğa uygun olmadığı için tehlikelerin yapısını ve tehlikelerle mücadelede çocuğun beklenen zihinsel ve fiziksel yeteneğini yansıtan bu ürün kategorisinde farklı yaş tavsiyeleri bulunmaktadır. Ebeveynler ve gözetimde tutan yetişkinlerin, bu ürüne binecek çocuğun yaşına uygun ürünler seçmesi ve çocukların kendilerini tehlikeye atmamaları için ürünün karakteristikleri hakkında olgunlaşmamış ve deneyimsiz olanları engellemeleri gereklidir.

- Bu ürün için tavsiye edilen binme yaşı, 7 yaş ve üstüdür. 7 yaş ve üstünde olan ancak scooter üzerinde rahat biçimde oturamayan çocukların binmesine izin verilmemelidir. Ebeveynin çocuğuna bu ürüne binmesi için izin vermesi çocuğun olgunluğuna, becerisine ve kurallara uyma yeteneğine bağlıdır. Bu ürünü küçük çocuklardan uzak tutunuz ve çalıştırırken yalnızca tamamen rahat ve yetkin biçimde kullanabilen çocukların binmesi gerektiğini unutmayınız.
- Maksimum sürücü ağırlığı 50 kg'dır
- Kişileri sakatlanmaya açık hale getiren, güvenlik talimatlarının farkına varmaya, bu talimatları anlama ve uygulama için fiziki veya zihinsel yeteneklerini bozan, MX125/SX125 kullanımına ilişkin tehlikeleri kavramada herhangi bir zihinsel veya fiziksel engeli bulunan kişilerce ya da yeteneklerine uygun olmayan ürünleri kullanımı izni olmayan kişilerce kullanılmamalıdır. Kalp, baş, sırt ya da boyun hastalıkları (ya da vücudun bu bölgelerine önceden yapılan ameliyatlara) olan kişilerin veya hamile kadınların bu türden ürünleri çalıştırmamasına dikkat edilmelidir."

Kullanımdan Önce MX125/SX125 Kontrol Ediniz – Kullanım Sonrası Bakım

- Kullanmadan önce tüm zincir muhafazalarının, diğer kapakların ya da muhafazalarının yerinde ve çalışabilir konumda olduğunu, tekerleklerin doğru biçimde şişirildiğini ve yeterli dış aralığının kaldığını onaylayın.
- Kullanımdan sonra bu ürünü üreticinin bu kılavuzdaki tanımlamalarına uygun şekilde tamir ediniz. Yalnızca üreticinin onayladığı yedek parçaları kullanınız. Bu ürünü üreticinin orijinal dizaynı ve konfigürasyonu dışında modifiye etmeyiniz.

Kabul Edilebilir Binış Usulleri ve Koşulları.

Koruyucu Ekipman Giyilmelidir. Trafikte kullanım için değildir.

Nerede Bilinir

- Bu ürünün kullanılacağı yerleri etkileyebileceği yerel kanunları daima kontrol ediniz ve bunlara uyunuz. Arabalardan ve motorlu taşıt trafiğinden her zaman uzakta tutunuz ve yalnızca izin verilen yerlerde dikkatli biçimde kullanınız.
- Bu ürün kamuya açık sokaklarda veya kaldırımlarda değil; özel mülkiyette ve kapalı yollarda kullanılmak üzere üretilmiştir. Elektrikli ürününüze yayaların veya araç trafiğinin bulunduğu alanlarda binmeyiniz.
- Koruyucu biçimde bininiz. Yolunuza çıkabilecek yayalara, patencilere, kaykaylara, scooterlara, bisikletlere, çocuklara veya hayvanlara dikkat ediniz. Diğerlerinin haklarına karşı saygılı olunuz.
- Bu ürün kum, yapraklar, kayalar ya da çakıl taşları gibi gevşek malmeler bulunmayan kaldırım ya da düz zemin gibi düzgün, kuru yüzeylerde kullanım için üretilmiştir.
- Islak, kaygan, tümsekli veya pürüzlü yüzeyler çekişi azaltabilir ve böylece kaza riskini arttırabilir.
- Bu ürünü çamurda, buzda, su birikintilerinde ya da suda kullanmayınız.
- Tekerleğinize dolanabilecek veya sizi aniden döndürüp kontrolünüzü kaybettirecek olası engellere karşı dikkatli olunuz.
- Keskin tümsekler, drenaj çukurları ve ani yüzey değişimlerinden sakınınız.
- Islak veya buzlu havada bu ürüne binmeyiniz ve elektrikli ve motor parçaları sudan örtülü hasar görebileceği için bu ürünü asla suya daldırmayınız ve başka güvensiz koşullar yaratmayınız.
- Bu ürünü iç mekanda kullanıp, halı veya döşeme gibi zarar veren yüzeylerde risk oluşturmayınız.
- Kesinlikle basamakların veya yüzme havuzlarının yanında kullanmayınız.



Nasıl Bililir

- MX125/SK125 'in üzerinde ve binişe uygun, güvenli bir dış ortamda değışseniz, el tutamağı üzerindeki hız kontrolünü (helezon kısma valfi) kullanmayınız.
- Binerken daima gidonu tutunuz.
- Aşırı derecede ısınabileceklerinden ötürü, kullanım süresince veya bindikten hemen sonra üründeki frene veya motora dokunmayınız.
- Kontrolü kaybedebileceğiniz yokuş aşağı binişlerde yüksek hızlardan kaçınız.
- Gece ya da görüşün sınırlı olduğu zamanlarda binmeyiniz.
- Ürünün üzerinde akrobasi hareketleri veya numaralar yapmaya kalkışmayınız. Ürün; hatalı kullanım ile ziplama, kaldırım kenarında biniş ve diğer numaralar gibi kötüye kullanımı kaldırabilecek kadar dayanıklı değildir. Yarış, akrobasi binışı ve diğer manevralar da kontrol kaybı riskini artırır veya kontrol dışı binici eylemleri veya reaksiyonları doğurabilir. Bütün bunlar ciddi sakatlanma ya da ölüme sonuçlanabilir.
- Aynı anda birden fazla kişinin bu ürüne binmesine kesinlikle izin vermeyiniz.
- Eller, ayaklar, saçlar, vücudun diğer bölümleri, kıyafetler ya da benzer nesnelere; hareketli parçalar, tekerlekler ya da aktarım organlarıyla temas etmesine izin vermeyiniz.
- Kesinlikle biniş esnasında kulaklık ya da cep telefonu kullanmayınız.
- Kesinlikle başka bir araca bağlamayınız.

Uygun biniş ekipmanı, giysiler, ayaklabılar

- Onaylanmış güvenlik kaskı (çene bandı güvenli biçimde tutturulmuş halde), dirseklikler ve dizlikler gibi uygun koruyucu ekipman daima kullanılmalıdır. Bölgenizdeki yerel bir kanun veya yönetmelikle, kask kullanımı yasal bir zorunluluk haline getirilmiş olabilir. Ayrıca uzun kollu bir tişört, uzun pantolon ve eldiven önerilir.
- Daima spor ayakkabı giyiniz (lastik tabanlı ve bağcıklı ayakkabılar), kesinlikle çıplak ayakla veya sandaletle binmeyiniz. Ayakkabı bağcıklarını bağlayınız ve tekerlekler, motor ve tahrik sisteminden uzak tutunuz.

Şarj cihazının kullanılması

- Elektrik sistemini kesinlikle modifiye etmeyiniz. Değişiklik yapılması sonucunda yangın çıkabilir. Hatalı tipte bir akü ya da şarj cihazının kullanımı patlamaya neden olabilir.
- HER KULLANIMDAN ÖNCE: Aküyü her kullanımdan en az 12 saat önce şarj ediniz ve tekerlekleri doğru PSI'da olacak şekilde şişiriniz.
- Her biniş sonrasında kapatınız. Akü kullanmadan açık bırakılırsa sonradan şarj edilemeyecebilir.
- Donma ya da donma noktasının altındaki sıcaklıklarda muhafaza ETMEYİNİZ! Donma sıcaklıkları aküye kalıcı olarak hasar verir.
- Bu ürünle sunulan şarj cihazının kablo, fiş, kutu ve diğer aksamı düzenli olarak hasara karşı gözden geçirilmeli ve böyle bir zarar halinde, şarj cihazı tamir edilene ya da değiştirilene kadar ürün şarj edilmemelidir.
- Yalnızca Razor tarafından önerilen şarj cihazını kullanınız.
- Şarj cihazı bir oyuncak değildir. Şarj cihazı yalnızca bir yetişkin tarafından çalıştırılmalıdır.
- Şarj cihazını tutuşabilir malzemeler ya da açık bir ateş kaynağının yakınında çalıştırmayınız.
- Şarj cihazı kullanımda değilken fişten çekiniz ve üründen ayırınız.
- Şarj dolum süresini geçirmeyiniz.
- Aşağıya doğru silmeden ya da sıvıyla temizlemeden önce şarj cihazını daima üründen ayırınız.

Sınırlı Garanti:

- Bu Sınırlı Garanti bu ürüne ilişkin tek garantidir. Başka herhangi bir açık veya zımnı garanti yoktur. Üretici bu ürünü, satın alım tarihinden itibaren 90 gün süreyle üretim hatalarına karşı garantisini altına almaktadır. Bu Sınırlı Garanti şu koşullar altında geçersiz olacaktır, eğer ürün:
- eğlence ya da ulaşımdan başka bir amaçla kullanılmışsa;
 - herhangi bir şekilde modifiye edilmişse;
 - kiralanmışsa.



**BİR CONTALI VE DÖKÜLMEZ KURŞUN ASİTLİ AKÜ İHTİVA EDER.
AKÜLERİN GERİ DÖNÜŞÜMÜ SAĞLANMALIDIR.**



⚠ ПОПЕРЕДЖЕННЯ. Щоб уникнути серйозних травм: ЗАПОБІЖНІ ЗАСОБИ під час використання і обслуговування Батькам / наглядачам необхідно спочатку прочитати цю сторінку

БАТЬКИ АБО НАГЛЯДАЧІ ПОВИННІ СПОЧАТКУ НАВЧИТИ ДІТЕЙ БЕЗПЕЧНО КАТАТИСЯ НА САМОКАТІ. Якщо дитина не буде розсудливою і не звертатиме увагу на ці запобігання, існує підвищений ризик пошкодження, серйозних травм і можливої смерті.

Ізда на цьому виробі становить потенційні ризики.

- Як і будь-який інший транспортний засіб, цей виріб може бути небезпечним (наприклад, падіння або небезпечні ситуації). Звичайно, цей виріб призначений для пересування, тому їздець може втратити керування або потрапити в іншу небезпечну ситуацію.
- Діти і дорослі, які за ними наглядають, повинні усвідомлювати, що якщо таке станеться, їздець може бути серйозно травмований або навіть померти, навіть якщо використовувати захисне оснащення і дотримуватись запобіжних засобів.

ВИКОРИСТОВУЙТЕ НА СВІЙ ВЛАСНИЙ РИЗИК І БУДЬТЕ РОЗСУДЛИВИ.

Необхідна відповідальність та нагляд батьків і дорослих

Оскільки дані вироби можуть бути небезпечними, і не кожна продукція підходить для будь-якого віку або розміру дитини, для цієї категорії продукції надані рекомендації для різного віку, вони призначені для опису природи ризиків і очікуваних розумових і фізичних здібностей (або того і іншого) дитини, щоб уникнути небезпеки. Батьки і наглядачі повинні обирати транспортну продукцію, що відповідає віку дитини, яка кататиметься на цьому виробі, і не можна, щоб дуже маленькі або недосвідчені для характеристик продукції діти піддавали себе ризику.

- Рекомендований вік користувача цього виробу – 7 років і старше. Ніхто з користувачів, навіть старше 7 років, не повинен намагатися їздити на виробі, якщо він відчуває себе на ньому некомфортно. Дозвіл батьків кататися на даній продукції повинен ґрунтуватися на віці дитини, його навичках та здатності дотримуватися правил. Не давайте продукцію маленьким дітям і пам'ятайте, що вона призначена для використання людьми, які, як мінімум, зручно себе відчувають під час керування виробом і знають, як це робити.
- Максимальна вага – 50 кг
- Люди з розумовими і фізичними особливостями, які роблять їх сприйнятливими до травм або впливають на фізичну здатність керувати або розумову здатність сприймати, розуміти і дотримуватися інструкцій з безпеки і здатність розуміти ризики, пов'язані з використанням виробу, не повинні використовувати або допускатися до використання MX125/SX125, що не відповідає їх можливостям. Особи з хворобами серця, захворюваннями голови, спини або шиї (або ті, що перенесли операцію на цих частинах тіла) або вагітні жінки не можуть користуватися цією продукцією.

Перевірте MX125/SX125 перед використанням – проведіть роботи з обслуговування після використання

- Перед використанням переконайтеся, що захисні кожухи ланцюга, а також інші кришки або щитки знаходяться на місці та в робочому стані, що гальма працюють належним чином, а шини добре накачані та мають достатню висоту протектора.
- Після використання проведіть обслуговування і ремонт відповідно до рекомендацій виробника в цій інструкції. Використовуйте лише дозволені виробником запчастини. Не змінюйте первинну конструкцію і конфігурацію цього виробу.

Допустима практика і умови їзди – батьки/дорослі повинні обговорити ці правила зі своїми дітьми.

Необхідно надягати захисне оснащення. Не для використання серед машин.

Де кататися

- Завжди перевіряйте і дотримуйтеся місцевих законів або норм, які можуть вплинути на місця використання цього виробу. Завжди остерігайтеся автомобілів і транспортного руху та використовуйте самокат обережно і в дозволених місцях.
- Цей виріб призначений для використання на приватній території та закритих ділянках, а не на громадських вулицях або тротуарах. Не використовуйте цей електричний виріб у будь-яких місцях, де присутні пішоходи або транспортні засоби.
- Слід їздити акуратно. Уникайте пішоходів, ролерів, скейтбордистів, самокатів, мотоциклів, дітей і тварин, які можуть встати у вас на дорозі. Поважайте права і приватну власність тих, хто вас оточує.
- Цей виріб призначений для використання на рівній сухій поверхні, такій як тротуар або рівний майданчик без таких забруднень, як пісок, листя, каміня або гравій.
- Мокрі, слизькі, вибоїсті, нерівні або грубі поверхні можуть зменшити тягу і збільшити ризик нещасних випадків.
- Не катайтеся на виробі по бруду, кризі, калюжам або воді.
- Остерігайтеся можливих перешкод, в які може потрапити ваше колесо, або які можуть призвести до відхилення або втрати керування.
- Уникайте різких ударів, дренажних ґрат і несподіваних змін поверхні.
- Не катайтеся на виробі під час вологої або снігової погоди і ніколи не занурюйте виріб у воду, оскільки електричні компоненти і привід можуть пошкодити вода, а також можуть виникнути інші небезпечні умови.
- Ніколи не ризикуйте пошкодженням таких поверхонь, як килим або настил, використовуючи виріб в приміщенні.
- Ніколи не використовуйте поблизу сходів або басейнів.



Як кататися

- Не використовуйте регулювальник швидкості (дросьель на поворотній ручці) на рукоятці, якщо MX125/SX125 не знаходиться в безпечному місці надворі, придатному для катання.
- Завжди тримайтеся за кермо під час їзди.
- Не торкайтеся гальма або мотора на виробі під час використання або відразу ж після катання, оскільки ці частини сильно нагріваються.
- Уникайте високих швидкостей, таких як їзда з гори, де ви можете втратити керування.
- Не катайтеся вночі або з обмеженим освітленням.
- Не намагайтеся і не виконуйте трюки на виробі. Виріб недостатньо міцний для неправильного використання, такого як стрибки, їзда по кромці та інші види трюків. Перегони, трюки і інші маневри також збільшують ризик втрати керування і можуть призвести до некерованих дій або реакцій. Все це може привести до серйозних травм або можливої смерті.
- Ніколи не дозволяйте декільком людям кататися на цьому виробі.
- Руки, ноги, волосся, частини тіла, одяг і подібні речі не повинні торкатися рухомих частин, коліс або приводу.
- Під час їзди ніколи не використовуйте навушники або мобільний телефон.
- Ніколи не катайтеся з іншим транспортом.

Необхідне оснащення для катання, одяг, взуття

- Завжди надівайте необхідне захисне оснащення, таке як затверджений захисний шлем (з надійно закріпленим ремнем для підборіддя), налокітники і наколінники. Наявність шлему може бути потрібною відповідно до місцевого закону або норм у вашому регіоні. Крім того, рекомендується сорочка з довгим рукавом, довгі брюки та рукавиці.
- Завжди одягайте спортивне взуття (шнуроване взуття з гумовою підшоивою), ніколи не катайтеся босоніж або в сандалях і завжди зав'яжуйте шнурки, щоб вони не потрапили в колеса, двигун і систему приводу.

Використання зарядного пристрою

- Ніколи не змінюйте електричну систему. Зміни можуть призвести до пожежі. Використання невірної типу батареї або зарядного пристрою може призвести до вибуху.
- ПЕРЕД КОЖНИМ ВИКОРИСТАННЯМ: Заряджайте батарею протягом МІНІМУМ 12 годин та накачайте шини до необхідного тиску.
- Вимикайте після кожної поїздки. Якщо залишити увімкненим без використання, батарея може не заряджатися.
- НЕ зберігати при температурі замерзання або нижче! Температура замерзання може повністю пошкодити батарею.
- Зарядний пристрій, який надається з цим виробом, необхідно регулярно перевіряти на наявність пошкоджень шнура, вилки, кожуха і інших деталей. В разі пошкодження виріб не потрібно заряджати, доки зарядний пристрій не буде відремонтований або замінений.
- Використовуйте лише зарядний пристрій, рекомендований Razor.
- Зарядний пристрій – це не іграшка. Зарядний пристрій можуть використовувати лише дорослі.
- Не використовуйте зарядний пристрій біля легкозаймистих матеріалів та відкритого вогню.
- Вимикайте зарядний пристрій і відключайте його від виробу, якщо він не використовується.
- Не перевищуйте час зарядження.
- Завжди відключайте виріб від зарядного пристрою перед тим, як протерти його або очистити за допомогою рідини.

Обмежена гарантія:

Ця обмежена гарантія є єдиною гарантією на продукт. Інших явно виражених або уявних гарантій немає. Виробник гарантує, що ця продукція не має виробничих дефектів протягом 90 днів з дати придбання. Дана обмежена гарантія буде анульована, якщо продукція:

- використовувалася не для розваги або катання;
- якимось чином змінювалася;
- здавалася в прокат.



**МІСТИТЬ ГЕРМЕТИЧНУ СВИНЦЕВО-КИСЛОТНУ АКУМУЛЯТОРНУ БАТАРЕЮ.
БАТАРЕЇ МАЮТЬ ПЕРЕРОБЛЯТИСЯ.**

⚠ 警告。重大な傷害を防ぐために
 ご使用中および点検中の安全上の注意
 保護者、大人の監督者の方はこのページを先ずお読みください。

保護者や監督者は、本製品の安全な乗り方を子どもに教えてください。ライダーが常識に従わず、これらの警告を無視した場合、製品への損傷、ライダーの大怪我や、場合によっては死を招く危険性が増大します。

本製品のご使用には、危険が伴います。

- 他の乗り物と同様、本製品で転倒や衝突事故によるけがのおそれがあります。本製品は移動を目的とした製品ですので、思わぬことでバランスを崩し転倒や衝突事故につながるおそれがあります。
- 転倒や衝突事故が起こった場合には、保護具を使用し、安全上の注意に従った場合でも重症または死に至るおそれがあることをお乗りになるお子様や保護者の方は十分ご理解ください。

ご自分の責任で、常識に従って使用してください。

保護者または大人の責任と監督のもとでご使用ください。

本製品には危険が伴い、全ての製品があらゆる年齢や大きさのお子様に適しているわけではありません。従ってこの種の製品には年齢によって推奨事項があり、これらは危険の性質と、その危険に対処するためにお子様に要求される精神的能力または肉体的能力、あるいはその両方を反映しています。保護者と大人の監督者の方は、本製品に乗るお子様の年齢に適した製品を選択し、製品の特性に対して未熟な、または経験の足りないお子様が危険に巻き込まれることの無いように注意を払ってください。

- 本製品は7歳以上の方を対象としています。7歳を過ぎていても、本製品が大きすぎる場合は乗せないようにしてください。保護者の方は、お子様がこの製品に乗って良いかどうかを、お子様の精神的成熟度、スキル、ルールに従う能力で判断してください。この製品は小さなお子様の手が届かないところに置き、本製品に乗る際は最低限完全に無理なく操作能力のある方のみが使う様にしてください。
- 最大積載重量は 50 kg です。
- 精神的または健康状態によりけがをしやすい、危険を察知して機械に対応または危険性を理解して安全ルールに従うことができない、MX125/SX125 に伴う危険性を理解できない方のご使用は避けてください。または使用を許可しないでください。心臓病、脊椎、または目に障害のある方（または身体のこれらの部分に手術を受けたことのある方）、または妊娠中の方はこれらの製品を使わないでください。

使用前点検と使用後のお手入れ

- 使用前に以下のことを確認してください。すべてのチェーンガードやカバー、ガード類が定位置に取り付けられていて運転可能な状態になっていること、ブレーキが正常に機能すること、タイヤの空気圧が適正であること、そしてタイヤの溝が十分残っていること。
- 使用后、本マニュアルに記載されたメーカーの仕様に基づき、本製品のメンテナンスおよび修理を行ってください。メーカーの純正交換パーツのみを使用してください。本製品を、メーカーの本来の設計や構成から改造しないでください。

保護者の方は本製品の使用やルールについてお子様と語り合ってください
 保護具を着けてください。車の通るところでは使用しないでください。

乗る場所

- 本製品を使用する現地の法律、規制は常に確認、順守してください。自動車やバイクなどが通る車道を避け、必ず許可された場所で安全に注意しながら走行しましょう。
- この製品は、私有地内のコースとして区切られた場所で使用するためのものです。決して公道や歩道で使用しないでください。歩行者や車両の交通がある場所ではこの電気製品に乗ってはなりません。
- 安全運転を心がけて下さい。歩行者、ローラーブレード、スケートボード、スクーター、自転車、子ども、動物などの飛び出しに充分に気をつけてください。他の家の敷地には入らないようにしてください。
- 本製品は舗装路や平坦な乾いた道路向けです。砂、葉、岩、砂利など滑りやすいところでは乗らないでください。
- ぬかるみ、凍結した道、水たまりでは乗らないでください。
- タイヤがはまったり、スリップして転倒するおそれのある路面には気を付けましょう。
- 尖ったバンブ、溝、鉄製の格子など路面の変化にご注意ください。
- 雨、雪、みぞれなどの天気での使用は避けてください。電気部品や駆動部品が故障する原因になりますので、水や危険な場所を避けてください。
- カーペットやフローリングなどを傷つける可能性がある屋内での使用は絶対に避けましょう。
- 階段やスイミングプールの近くでは絶対に使用しないでください。

乗り方

- ・運転に適した安全な屋外でMX125/SX125の上にきちんと座っている時以外は、ハンドグリップにある速度制御ボタン（ツイストグリップスロットル）を使用しないでください。
- ・乗っている間は絶対にハンドルから手を離さないでください。
- ・乗っている間や使用した直後はブレーキやモーターには触れないでください。高温になるためやけどのおそれがあります。
- ・下り坂などスピードのだすぎはやめましょう。転倒のおそれがあります。
- ・夜間や視界が悪い時には乗らないでください。
- ・スタントやアクロバットのような乗り方はしないでください。跳んだり、縁石の角を走行したり、スタントのような乱暴な乗り方ができるような設計されていません。レース、スタント、乱暴な乗り方は転倒のリスクも高く、ライダーが制御不能な状態や対処不可能な状態に陥りかねません。重傷または死に至るおそれがあります。
- ・この製品には一度に2人以上では乗らないでください。
- ・手足、髪などの体の部位や衣服が可動部分、タイヤ、ドライブトレインに巻き込まれないようご注意ください。
- ・乗っている時は、ヘッドフォンや携帯電話を使用しないでください。
- ・車両につかまり乗りをしないでください。

安全な服装、靴、保護具

- ・認定を受けた安全用ヘルメット（あごひもをしっかりと締めて着用すること）、肘当て、膝当てなど、適切な保護具を常に着用してください。お住まいの地域の法律や規制でヘルメットの着用が義務づけられていることもあります。これらに加えて、長袖のシャツ、長ズボン、手袋の着用を推奨します。
- ・素足またはサンダルは避け、ゴム底の紐つき運動靴を着用してください。靴紐がタイヤ、モーター、駆動システムに巻き込まれないようご注意ください。

充電器の使用

- ・絶対に電気系統の改造を行わないでください。改造したことによる火災発生のおそれがあります。不適切なバッテリーや充電器を使用すると、爆発のおそれがあります。
- ・使用前：最低 12 時間バッテリーを充電し、タイヤの空気圧を適切にしてください。
- ・走行後は必ず電源を切ってください。電源が入ったまま放置すると再び充電できなくなる場合があります。
- ・0°C 以下の場所には保管しないでください。バッテリーを 0°C 以下の場所に保管すると故障の原因になります。
- ・本製品に同梱の充電器は定期的に検査して、コード、プラグ、筐体などのパーツに損傷がないことを確認してください。損傷がある場合は、これを修理または交換するまで本体を充電しないでください。
- ・必ず Razor 推奨充電器を使用してください。
- ・充電器はおもちゃではありません。充電器は大人のみが扱ってください。
- ・燃えやすい物や火気の近くで充電を行わないでください。
- ・使用にならない時は、コンセントから充電器を抜き、本体からもプラグを外します。
- ・充電を超えて長時間充電しないでください。
- ・本体の汚れを落としたり、濡れた布で拭く場合は、充電器を本体から取り外してください。

限定保証:

この製品に対する保証は、この限定保証のみです。その他の保証は明示的なもの、暗示的なものどちらもありません。

メーカーの保証期間は、本製品のお買い上げ日から 90 日間となります。

レクリエーションまたは移動以外の方法で製品が使用された場合、

- ・いかなる方法でも改造された場合、
- ・またはレンタル使用された場合、
- ・この限定保証は無効となります。



完全密閉型鉛蓄電池を使用しています。
バッテリーはリサイクルしてください。



⚠ 경고: 심각한 부상을 방지하기 위해 다음을 저기십시오.
사용과 관리에 대한 안전 예방조치
부모나 보호자들은 반드시 이 안내문을 먼저 읽으십시오.

부모나 보호자들은 어린이들에게 본 제품을 안전하게 타는 것을 가르쳐야 합니다. 만약 사용자가 일반상식에 맞게 행동하지 않고 이러한 경고를 따르지 않을 경우, 손상, 심각한 부상 또는 사망을 초래할 위험이 커질 수 있습니다.

본 제품의 탈 때는 위험의 소지가 있습니다.

- 어느 타고 다니는 제품들과 마찬가지로 본 제품도 위험할 수 있습니다(예: 떨어지거나 위험한 상황으로 운행). 본 제품은 당연히 움직이게 되어있어 타는 사람이 제어를 잃거나 위험한 상황에 처할 수도 있습니다.
- 어린이와 어린이를 감독할 책임이 있는 보호자들 모두는 이러한 일이 발생할 경우, 보호장비를 사용하고 다른 안전주의를 지키더라도, 타는 사람이 심각하게 부상을 입거나 심지어 사망할 수도 있음을 인지하여야 합니다.

상식적 사용방법과 주의사항에 따르십시오.

부모와 어른의 책임과 감독이 필요합니다.

스쿠터는 위험하며 또한 모든 제품이 모든 나이 또는 크기의 어린이에게 적합하지는 않으므로, 이 제품의 범주에 한해 각 나이에 적합한 권장안내는 어린이의 위험 대처에 있어 위험의 성격, 요구되는 정신력 혹은 육체적 능력, 또는 둘 다를 반영하였습니다. 부모나 보호자들은 타는 상품의 선택 시 전동 스쿠터를 탈 어린이의 나이에 적합한 제품을 선택하여야 하며, 아주 미숙하거나 제품의 특성을 경험하지 못한 어린이가 그 주위에서 위험에 처하지 않도록 주의하여야 합니다.

- 본 제품의 사용 권장 연령은 7 세 이상입니다. 7 세 이상이라도 스쿠터 위에 편하게 탈 수 없는 경우 스쿠터를 타면 안됩니다. 본 상품의 사용에 대한 부모의 허가는 어린이의 성숙함, 기술 및 규칙을 따를 수 있는 능력을 기준으로 해야 합니다. 본 제품은 소아들이 미치지 못하는 곳에 보관하며, 최소한 완전히 편안하고 자신 있게 본 제품을 운행할 수 있는 사람들만이 사용하도록 고안되었음을 기억하십시오.
- 운전자의 최대 체중: 50 킬로그램
- 정신적 또는 신체적 상태로 인하여 부상을 잘 당하거나, 속달력 또는 인식력, 안전성면에서의 이해력, MX125/SX125 사용에 따른 위험의 인식, 이해 및 준수 등에 장애가 있는 사람들은 자신의 능력에 적합하지 않은 제품들을 사용해서는 안되며 허용되어서도 안됩니다. 심장 장애, 머리, 등 또는 목에 이상 (또는 이 부분들의 수술 전)이 있거나 임산부들은 이와 같은 제품의 작동을 금지하여야 합니다.

MX125/SX125 는 사용 전 점검하시고 사용 후 관리하십시오.

- 사용 전 모든 체인 가드 또는 다른 커버나 가드 등이 제자리에 있으며 사용할 수 있는 컨디션인지 확인하시고, 브레이크가 정상적으로 작동하며 타이어들의 공기압이 적합하고 트레드가 충분히 남아있는지 확인하십시오.
- 본 제품의 사용 후, 본 매뉴얼에 있는 제조사의 설명서에 따라 관리와 보수를 하도록 하십시오. 제조사의 허가를 받은 교체용 부품만 사용하십시오. 본 제품 제조사의 원래 디자인과 구성을 개조하지 마십시오.

허용되는 사용법 및 조건 - 부모나 어른들은 어린이들과 함께 본 규정을 상의하여야 합니다.

보호장비는 항상 착용해야 합니다. 차도에서 사용하지 마십시오.

사용장소

- 본 제품을 사용할 수 있는 장소에 관한 현지 법 또는 규정들을 확인하고 따르십시오. 항상 자동차들과 교통차량들로부터 멀리 떨어져 있고 허가된 곳에서만 주의를 하며 사용하십시오.
- 본 제품은 개인 사유지 및 폐쇄된 길에서 사용해야 하며 일반 도로나 보도에서 사용할 수 없습니다. 보행자나 차량이 통행하는 지역에서는 전기로 가동되는 승차제품을 타지 마십시오.
- 방어적으로 타십시오. 보행자, 스케이트, 스케이트보드, 스쿠터, 자전거를 타는 사람들, 타는 방향으로 오는 어린이 또는 동물들을 피하도록 주의하십시오.
- 본 제품은 보도나 수평지대와 같이 평탄하고 건조하며 모래, 나뭇잎, 암석, 자갈과 같이 널려진 부스러기들이 없는 평면에서 사용하여야 합니다.
- 절고, 미끄러우며 평탄치 않거나 거친 평면은 견인력을 줄일 수 있으며 사고의 위험을 증가시킬 수 있습니다.
- 본 제품을 진흙, 얼음, 진흙 또는 물이 있는 곳에서 타지 마십시오.
- 바퀴를 급정거시키거나 또는 갑자기 방향을 바꾸거나 제어를 잃게 할 수 있는 방해물들을 조심하십시오.
- 예리하게 튀어나온 표면, 배수구, 갑작스럽게 바뀌는 표면들을 피하십시오.
- 전기와 구동 부품들은 물에 의해 손상을 입거나 위험한 상황을 초래할 수 있으므로 비가 내리거나 미끄러운 날씨에서는 본 제품을 타지 말고 절대로 본 제품을 물에 넣지 마십시오.
- 본 제품을 실내에서 사용하면 카펫이나 마루가 손상될 수 있습니다.
- 계단이나 수영장 근처에서 사용하지 마십시오.



타는 방법

- MX125/SX125 를 사용할 수 있는 장소에 관한 현지 법 또는 규정들을 확인하고 따르십시오. 항상 자동차들과 교통차량들로 부터 멀리 떨어져 있고 허가된 곳에서만 주의를 하며 사용하십시오.
- 타는 동안은 늘 반듯이 핸들을 감도록 하십시오.
- 사용 중 또는 타고난 직후에 본 제품의 브레이크나 모터를 만지지 마십시오. 이 부품들은 매우 뜨거울 수 있습니다.
- 내리막길에서는 제어를 잃을 수 있으므로 속도를 줄이십시오.
- 방이나 또는 시야에 제한이 있을 때는 타지 마십시오.
- 본 제품의 사용 시 스텐트 또는 모기를 시도하지 마십시오. 본 제품은 점프, 커브 그라인딩 또는 기타 스텐트와 같은 잘못된 사용이나 남용에 견딜 수 있을 만큼 강하지 않습니다. 레이싱, 스텐트 라이딩 또는 다른 묘기 등은 제어상실의 위험을 증가시키거나 라이더의 억제되지 않은 행동 혹은 반작용을 유발할 수 있습니다. 이러한 모든 행동은 심각한 부상이나 사망을 유발할 수 있습니다.
- 본 제품은 반드시 한번에 한 사람만이 탈 수 있습니다.
- 손, 발, 머리카락, 신체 일부, 옷 등이 움직이는 부품, 바퀴, 동력전달장치와 접촉하지 않도록 하십시오.
- 타는 동안 절대로 핸드폰이나 셀폰을 사용하지 마십시오.
- 다른 차로 끌지 마십시오.

적합한 장비, 의복, 신발

- 승인된 (턱끈이 확실하게 잠긴) 안전헬멧, 팔꿈치 패드, 무릎 패드와 같은 보호장비를 항상 사용하십시오. 헬멧은 지역 현지법에 규정되어 있을 수도 있습니다. 또한, 긴 소매 셔츠, 긴 바지와 장갑을 권장합니다.
- 항상 (끈이 있고 바닥이 고무인) 운동용 신발 을 신으시고 절대로 맨발이나 샌들을 신고 타지 마십시오. 신발 끈은 꼭 매도록 하며 바퀴, 모터, 구동시스템에서 멀리 하도록 하십시오.

충전기 사용 방법

- 절대로 전동 시스템을 개조해서는 안됩니다. 개조 시 화재를 유발할 수 있습니다. 잘못된 건전지 또는 충전기를 사용할 경우 폭발을 초래할 수 있습니다.
- 매 사용 전: 최소 12 시간 이상 배터리를 충전하고 정확한 PSI 까지 타이어에 공기를 주입하십시오.
- 사용 후 항상 고십시오. 건전지를 사용하지 않을 때 켜 상태 ("ON") 로 두면 재충전되지 않을 수도 있습니다.
- 영하의 온도에 보관하지 마십시오! 영하의 온도에 보관하면 배터리가 영구적으로 손상됩니다.
- 본 제품에 포함된 충전기는 수시로 검사하여 코드, 플러그, 엔클로저, 기타 부품에 손상이 있는지 확인하여야 합니다. 이러한 손상이 있을 경우, 충전기가 보수 또는 교체될 때까지 제품을 충전하지 마십시오.
- Razor 에서 추천한 충전기만 사용하십시오.
- 이 충전기는 장난감이 아닙니다. 충전기는 어른만이 작동할 수 있습니다.
- 가연성이 있는 물질이나 불길 근처에서 충전기를 작동하지 마십시오.
- 충전기는 사용 하지 않을 시 플러그를 뽑고 본 제품의 연결을 끊으십시오.
- 충전 시간을 초과하지 마십시오.
- 젖은 천으로 닦고 세척하기 전 반드시 충전기에서 제품의 연결을 끊으십시오.

한정 보증:

본 한정보증은 이 상품에 대한 유일한 보증이며, 이외 다른 표현 또는 암시된 보증은 없습니다. 제조업체는 본 제품에 제조상의 결함이 없음을 구매일로부터 90 일간 보증합니다. 본 한정보증은 다음과 같은 경우 무효가 됩니다:

- 레크리에이션 또는 운송 이외의 방식으로 사용했을 경우
- 어떠한 방법으로든지 개조된 경우
- 렌트된 경우.



밀폐된 비유향 납축전지 한 개가 포함되어 있습니다. 건전지는 재활용해야 합니다.

警告。為避免嚴重損傷：
操作和維護時的安全預防措施
父母/成年監護人請先閱讀本頁

父母/成年監護人須指導子女如何安全使用本產品。如果使用者不運用常識，或不注意上述警告，會增加損害、嚴重受傷甚至死亡的風險。

騎乘本產品存在潛在危險

- 和任何騎乘產品一樣，本產品或會帶來危險（如滑落或騎乘時發生危險）。由於本產品為運動類產品，使用者有可能失控或發生危險。
- 兒童和成年監護人須明白，即便採用安全設備並採取其他安全預防措施，使用者仍可能發生嚴重受傷甚至死亡的危險。

使用時請自行承擔風險，並應運用常識。

須於父母和成人負責和監護下使用

由於本產品存在一定的風險，而且並非每款產品均適合每個年齡或體型的兒童使用，故此類產品通常附有建議使用年齡資訊，此等資訊反映危險的性質，以及應對此等危險應具備的智力或體能。父母或成年監護人需為騎乘本產品的兒童選擇適合其年齡使用的產品，並防止過於年幼或不熟悉產品性能的兒童冒險嘗試。

- 本產品的建議使用年齡為 7 歲或以上。即便是 7 歲以上的使用者，如果在使用滑板車時感覺不適，均不應嘗試使用。父母須充分考慮子女的心智、技能和遵守規則的能力，以決定是否允許子女使用本產品。將此產品置於年幼兒童無法觸及的地方，並謹記，本產品只適合至少感覺自如和勝任的人士使用。
- 使用者體重上限：50 公斤
- 因任何智力或身體問題，容易受傷、身體靈活性失調或令智力受到影響而無法意識、明白及遵循安全指引，以及無法明白使用 MX125/SX125 的潛在風險的人士，不應使用或獲准使用與他們能力不符的產品。患有心臟疾病、頭部、背部或頸部疾病（或之前曾接受此類手術）的人士或孕婦，應避免使用此類產品。

使用前請先檢查 MX125/SX125 - 使用後進行日常維護

- 使用前，請確認所有鏈條護蓋或其他蓋子或護蓋已在定位並在可用狀態下、剎車正常作用和輪胎充氣壓力正確而且有足夠的胎紋深度。
- 使用後，請根據本手冊中的製造商規格對本產品進行日常維護及維修。請只使用製造商授權的替換零件。請勿更改本產品的原廠設計和規格。

正確的使用方法和條件 - 父母/成年監護人應就這些規則對子女進行指導
應穿戴防護裝備。請勿在車多的地方使用。

在哪裡騎乘？

- 時刻關注和遵守所有本地法律或法例關於本產品的使用位置的規定。時刻警惕汽車和機動車，僅在允許的位置小心使用。
- 本產品計畫用在私人物業和封閉的跑道上，不可以用在公用街道或人行道。不可在任何有行人或車流的區域騎乘您的電動產品。
- 騎乘時注意防範附近的行人、溜冰者、滑輪車、滑板車、單車、兒童或動物。尊重他人的權利和財產安全。
- 應在平坦、乾燥、沒有鬆軟堆積物（包括泥沙、樹葉、岩石或瓦礫等）的路面（如人行道或平坦路面）上使用本產品。
- 潮濕、光滑、顛簸、不平坦或粗糙的表面或會令附着力減弱，並增加發生事故的風險。
- 請勿於泥濘、結冰、有污水或在水中使用本產品。
- 小心可能會卡住車輪，或令你突然轉向或失控的潛在障礙物。
- 避免猛烈撞擊、排水道格柵和表面的突然變化。
- 請勿在潮濕或結冰的天氣使用本產品，切勿將本產品浸入水中，因為電氣和驅動部件可能被水損壞，或產生其他安全風險。
- 切勿冒險在室內使用本產品，避免損壞沙發或地板等表面。
- 切勿在樓梯或游泳池附近使用。

如何騎乘

- 請勿使用手柄上的速度控制裝置（旋轉手柄節流閥），除非你位於 MX125/SX125 上，並處於適合騎乘的安全室外環境中。
- 騎乘時請始終握緊把手。
- 使用時或騎乘之後請勿接觸發電機的剎車裝置，因為這些零件可能溫度極高。
- 在下坡等可能失控的情況下避免高速騎乘。
- 請勿在夜間或能見度較低的情況下騎乘。
- 請勿嘗試在本產品上進行特技表演或玩特技。本產品的強度不足以承受誤用和濫用，如跳躍、壓路邊或任何其他類型的特技表演。賽車、特技表演騎乘或其他操作可增加失控風險，或導致騎乘者發生不受控行為或反應。上述行為可導致重傷甚至死亡。
- 本產品一次只能承載一個人。
- 避免手、腳、頭髮、任何身體部位、衣物或類似物品接觸到運動零件、車輪或傳動裝置。
- 騎乘時切勿佩戴耳機或使用手機。
- 切勿依附於其他車輛上騎乘滑板車。

正確的騎乘設備、服裝和鞋子

- 時刻佩戴合適的保護裝備如經安全許可的頭盔（扣好下巴扣帶）、肘墊和膝墊。你所在國家的法律或法例可能規定佩戴頭盔。此外，建議穿著長袖衫、長褲並佩戴手套。
- 時刻穿著運動鞋（有橡膠鞋底的系帶鞋），切勿赤腳或穿著涼鞋騎乘，應系緊鞋帶，並遠離車輪、發電機和驅動系統。

使用充電器

- 切勿改裝電動系統。改裝或會引致火警。誤用其他類型的蓄電池或充電器或會引致爆炸。
- 每次使用前：為電池充電至少 12 小時，為輪胎充氣並調教 PSI。
- 每次使用完請關閉電源。電池在不使用時仍處於「開啟」狀態，或無法重新充電。
- 切勿存放於冰冷或低於冰點溫度的環境中！冰點溫度會對電池造成永久性損壞。
- 應經常檢查本產品自帶的充電器。查看電線、插頭、外殼和其他零件是否損壞。如發生損壞，在維修或更換充電器之前切勿為本產品充電。
- 請只使用 Razor 指定的充電器充電。
- 此充電器並非玩具。充電器應由成人操作。
- 請勿在可燃材料或明火附近使用充電器。
- 不用時請拔掉充電器的插頭並從本產品上拔除。
- 充電時間不要過長。
- 使用濕布拭擦或清潔前，請確保先將充電器從產品上拔除。

有限保證：

此有限保證為該產品的唯一擔保。除此之外概無其他任何明示或默示的保證。

製造商保證本產品自購買之日起 90 天內無製造缺陷。

如發生以下情況，該有限保證即告失效：

- 用作非休閒或交通用途；
- 以任何方式進行改裝；
- 出租。



含有一個密封防溢鉛酸蓄電池。
必須對蓄電池進行回收處理。

**警告。为避免重伤：
操作和维护期间安全预防措施
父母/成人监护者请首先阅读本页**

父母/成人监护者必须教子女如何安全骑乘本产品。如果骑乘者不运用常识，或不注意上述警告，会增加损害、严重受伤甚至死亡危险。

骑乘本产品存在潜在危险

- 和任何骑乘产品一样，本产品存在危险（如：滑落或发生骑乘危险状况）。本产品当然用于移动，因此骑乘者可能失去控制，或陷入危险状况
- 儿童和负责监护儿童的父母都必须认识到，即使采用安全设备并采取其他安全预防措施，骑车者仍可能发生严重受伤甚至死亡。

骑乘时请自行承担风险，并具备常识。

需要父母和成人负责并监护

由于本产品存在危险，且并非每种产品适合于每个年龄段或体型的儿童—不同年龄的建议产品请见该产品类别，该类别反映了危险的性质，以及儿童应对危险的预期智力或身体能力。父母或监护成人需要选择适合骑乘本产品儿童年龄段的骑乘产品，并注意防止过于年幼或不熟悉产品特征的儿童冒险尝试。

- 本产品的建议骑乘年龄为 7 岁以上。任何骑乘者即便在 7 岁以上，如果在滑板车上感觉不适，则不应尝试骑乘。父母允许其子女骑乘该产品的决定应基于其子女的发育情况、技能和遵守规格的能力。将该产品放在年幼儿童无法接触到的地方，应记住，在操作本产品时，只能由至少完全自如并胜任的人员使用。
- 骑手体重上限：50 千克
- 因任何智力或身体问题，容易受伤、身体灵活性失调或令智力受到影响而无法意识、明白及遵循安全指引，以及无法明白使用 MX125/SX125 的潜在风险的人士，不应使用或获准使用与他们能力不符的产品。患有心脏疾病、头部、背部或颈部疾病（或之前曾接受此类手术）的人士或孕妇，应避免使用此类产品。

使用前检查 MX125/SX125 — 使用后维护

- 使用前，确认任何及所有护链罩或其他罩或盖子处于正确位置，并处于可使用状态，制动功能正常，轮胎气压正常，剩余胎面厚度足够。
- 使用后，根据本手册中的制造商规格维护并维修本产品。仅使用制造商授权的更换零件。不得更改本产品的制造商原始设计和结构。

可接受的骑乘惯例和条件—父母/成人应与他们的子女讨论这些规则。

应穿戴防护装备。使用时不得影响道路交通。

在哪里骑乘滑板车

- 务必检查并遵守任何本地法律或法规，这影响到可使用本产品的位置。始终远离汽车和机动车，仅在允许位置小心使用。
- 本产品的设计意图为私人财产，旨在封闭环境使用，而非公共街道或人行道。请勿在有行人或车辆的任何区域骑乘本产品。
- 骑乘时注意防护。注意防止行人、溜冰者、滑轮车、滑板车、自行车、儿童或动物可能与您相撞。尊重他人的权利和财产安全。
- 本产品用在平坦、干燥路面上，如铺砌或平坦路面上，无松动碎片，包括砂子、树叶、岩石或瓦砾等。
- 潮湿、光滑、颠簸、不平坦或粗糙表面可减少附着力，增加发生事故的危险。
- 不得在泥泞、结冰、污水或水中骑乘本产品。
- 注意可能卡住车轮，或强制您突然转向或失去控制的潜在障碍物。
- 避免突然撞击、排水道格栅和表面的突然变化。
- 不得在潮湿或结冰天气骑乘本产品，不得将本产品浸入水中，因为电气和驱动零部件可能被水损坏，或产生其他可能的不安全状态。
- 不得冒险在室内使用本产品，可损坏沙发或底板等表面。
- 不得在楼梯或游泳池附近使用。

如何骑乘

- 不得使用手柄上的速度控制装置（旋转手柄节流阀），除非您完全处于 MX125/SX125 上，并处于适合骑乘的安全室外环境中。
- 骑乘时始终握紧车把。
- 使用时或骑乘之后不得接触电动机的刹车装置，因为这些零件非常热。
- 在下坡等可能失控的情况下避免高速骑乘。
- 不得在夜间或能见度受限情况下骑乘。
- 不得尝试在本产品上进行特技表演或玩特技。本产品的强度不足以承受误用和滥用，如跳跃、压路边或任何其他类型的特技表演。赛车、特技表演骑乘或其他操作可增加失控危险，或导致骑乘者发生不受控行为或反应。所有这些可导致重伤甚至死亡。
- 一次只允许一个人骑乘本产品。
- 不允许手、足、头发、身体部位、衣服或类似物品接触到运动件、车轮或传动装置。
- 骑乘时不得佩戴耳机或使用手机。
- 不得挂在其他车辆上骑乘。

正确的骑乘设备、衣服、鞋子

- 务必佩戴适当的保护设备如经批准的安全头盔（下巴托扣住）、护肘和护膝。您所在位置的本地法律或法规可能要求佩戴头盔。另外，建议穿长袖衫、长裤并戴手套。
- 务必穿运动鞋（系带鞋，橡胶鞋底），不得赤脚或着便鞋骑乘，系紧鞋带，并使其远离车轮、电动机和驱动系统。

使用充电器

- 不得更改电动系统。改动可引发火灾。使用错误类型的蓄电池或充电器可导致爆炸。
- 每次使用前：每次使用前至少充电 12 小时，并把轮胎充至正确气压。
- 每次骑乘后关闭电源。如果不使用时开启，可导致蓄电池不能充电。
- 不得存储在冰冻或低于冰冻温度环境中！冰冻温度可导致蓄电池永久损坏。
- 应经常检查本产品自带的充电器，查看导线、插头、外壳和其他零件是否损坏。如发生损坏，在维修或更换充电器之前不得为本产品充电。
- 仅使用 Razor 推荐的充电器。
- 该充电器非玩具。充电器应由成人操作。
- 不得在可燃材料或明火附近操作充电器。
- 不用时拔掉充电器的插头并将其从本产品上断开。
- 充电时间不得过长。
- 用湿布拭擦或清洁之前，请务必先将充电器从产品上拔除。

有限保证：

该有限担保为本产品的唯一担保。除此之外不存在其它任何明示或默示的保证。

制造商保证，本产品自购买之日起 90 天内无制造缺陷。

该有限保证在产品发生以下情况时无效：

- 用作娱乐或交通以外的其它用途
- 以任何方式进行改装
- 出租使用



包含一个密封防溢铅酸蓄电池。
蓄电池必须回收。

EUROPE, MIDDLE EAST, AFRICA

Razor USA (Europe)
Handelsweg 2
2742 RD Waddinxveen
Netherlands

+44 (0) 120 267 2702
info@razoreu.com

UNITED KINGDOM AND IRELAND

Razor USA LLC (UK)
Unit 20
Hartnoll Business Centre
Post Hill, Tiverton
Devon EX16 4NG
UK

+44 (0) 120 267 2702
info@razoreu.com

Printed in China for Razor USA LLC.

Copyright ©2003-2023 Razor USA LLC. All rights reserved. Razor® and the Razor logo design are among the registered trademarks of Razor USA LLC and/or its affiliated companies in the United States and/or select foreign countries. MX125™/SX125™ and the MX125/SX125 logo design are trademarks of Razor USA LLC.

L'EUROPE, MOYEN-ORIENT, AFRIQUE

Razor USA LLC (Europe)
Handelsweg 2
2742 RD Waddinxveen
Pays-Bas

+44 (0) 120 267 2702
info@razoreu.com

ROYAUME-UNI ET IRELANDE

Razor USA LLC (UK)
Unit 20
Hartnoll Business Centre
Post Hill, Tiverton
Devon EX16 4NG
UK

+44 (0) 120 267 2702
info@razoreu.com

Imprimé en Chine pour Razor USA LLC.

Copyright ©2003-2023 Razor USA, LLC. Tous droits réservés. Razor® et le logo Razor sont des marques déposées de Razor USA LLC et de ses sociétés affiliées aux États-Unis et/ou dans une sélection de pays étrangers. MX125™/SX125™ et le logo MX125/SX125 sont des marques de commerce de Razor USA LLC.



In the US and Canada only:
For more information regarding recycling of rechargeable batteries, call toll free
1-800-822-8837, or visit <http://www.call2recycle.org>

Au Canada et aux États-Unis seulement :
Pour plus de renseignements sur le recyclage des batteries rechargeables, appelez
le numéro sans frais 1 800 822-8837 ou visitez <http://www.call2recycle.org>



www.razor.com

24L+CAN_230412

ASIA

Razor USA (Asia)
P.O. Box 3610
Cerritos, CA 90703
USA

+81 50 7579 6622
info@razor-asia.com

AUSTRALIA AND NEW ZEALAND

Razor USA LLC
P.O. Box 4280
Auburn South
VIC 3122
Australia

+1 800 954 354 (AU)
+0 800 003 221 (NZ)
info@razoranz.com

AMERICAS

Razor USA LLC
P.O. Box 3610
Cerritos, CA 90703
USA

+1 866 467 2967
Monday - Friday
8:00 AM - 5:00 PM Pacific Time
customersupport@razorusa.com

IMPORTED IN JAPAN BY B-PLUS ASIA

THE RIZSTIK COMPANY
Razor USA LLC
Kurokawa 3-1, Asaoku,
Kawasaki, Kanagawa
215-0035 JAPAN

+81 (0) 44 328 9057 Tel
+81 (0) 44 328 9067 Fax
info@razor-asia.com

AMÉRIQUES

Razor USA LLC
Case postale 3610
Cerritos, CA 90703
É.-U.

+1 866 467 2967
Lundi au vendredi
8 h à 17 h, heure du Pacifique
customersupport@razorusa.com

IMPORTÉ AU JAPON PAR B-PLUS ASIA

THE RIZSTIK COMPANY
Razor USA LLC
Kurokawa 3-1, Asaoku,
Kawasaki, Kanagawa
215-0035 JAPAN

+81 (0) 44 328 9057 Tél.
+81 (0) 44 328 9067 Téléc.
info@razor-asia.com