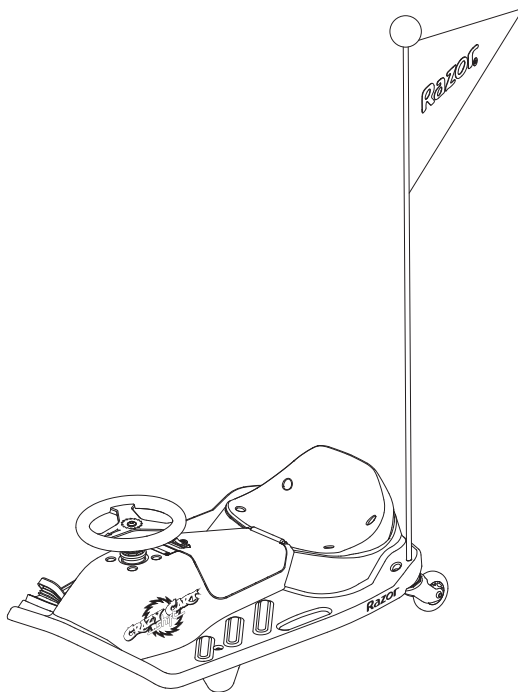




- EN** Read and understand this guide before using product.
FR Lire et assimiler ce manuel avant d'utiliser le produit.
ES Es imprescindible leer y comprender esta guía antes de usar el producto.
DE Lesen Sie diesen Leitfaden vor Benutzung des Produktes aufmerksam.
IT Leggere e comprendere tutti i punti del presente manuale prima di utilizzare questo prodotto.
NL Lees deze instructies goed door voordat je het product gaat gebruiken.
PT Leia e compreenda este guia antes de utilizar o produto.
PL Przed użyciem produktu należy przeczytać ze zrozumieniem niniejszą instrukcję.
HU A termék használatá előtt olvasd el és értsd meg ezt a használati útmutatót.

- RU** Необходимо прочесть и понять эту инструкцию перед использованием продукции.
SV Läs och förstå denna bruksanvisning innan du använder produkten.
NO Les og forstå denne veiledningen før du bruker dette produktet.
DA Læs og forstå hele denne vejledning før du lader nogen bruge produktet.
FI Lue nämä ohjeet huolellisesti ennen tuotteen käyttöönottoa.
RO Consultați acest ghid înainte de a utiliza produsul.
SK Pre použitím tohto výrobku si prečítajte a pochopte tento návod.
CS Před použitím tohoto výrobku si řádně prostudujte návod k použití.
BG Прочетете и разберете това ръководство преди да използвате продукта.
TR Ürünü kullanmadan önce kılavuzu okuyur anlayınız.
UK Необхідно прочитати й зрозуміти цю інструкцію перед використанням продукції.
JA 製品をご使用前に本説明書をお読みになりよく理解なさってください。
KO 제품을 사용하시기 전에 이 안내서를 읽고 이해하십시오.
ZH 請在使用產品之前細心閱讀和瞭解此使用指南。
ZH 使用产品前请阅读并理解本指南。



Crazy Cart® Shift™ & Crazy Cart® Shift™ Lightshow™



1-17

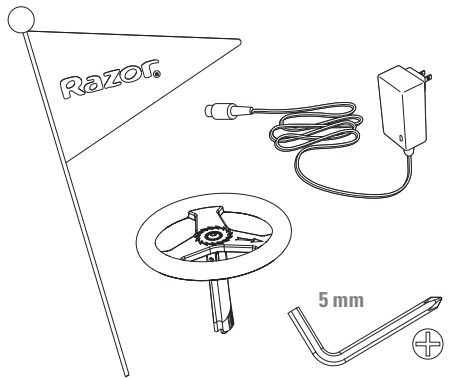
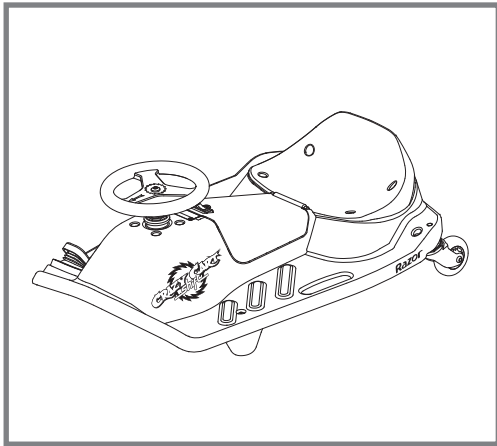


18-65

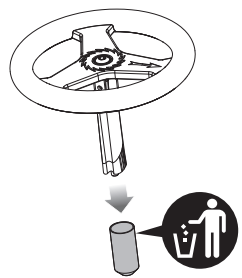


66-118

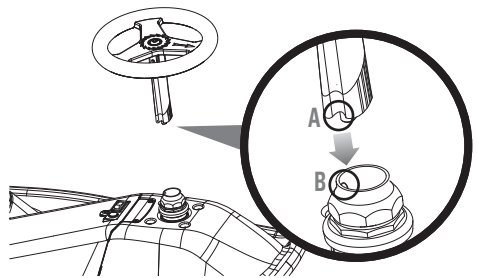
www.razor.com



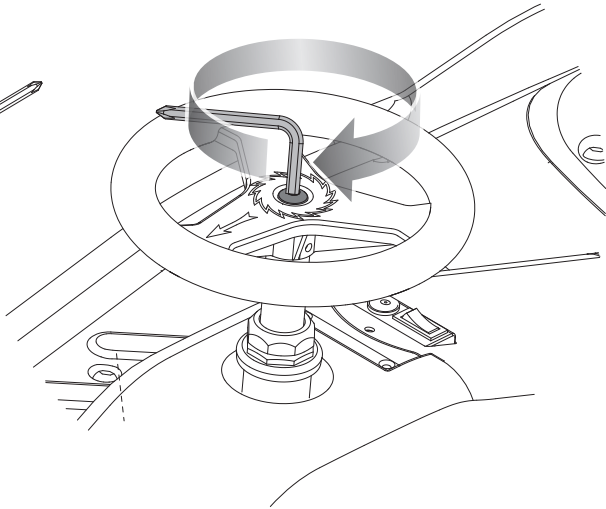
1

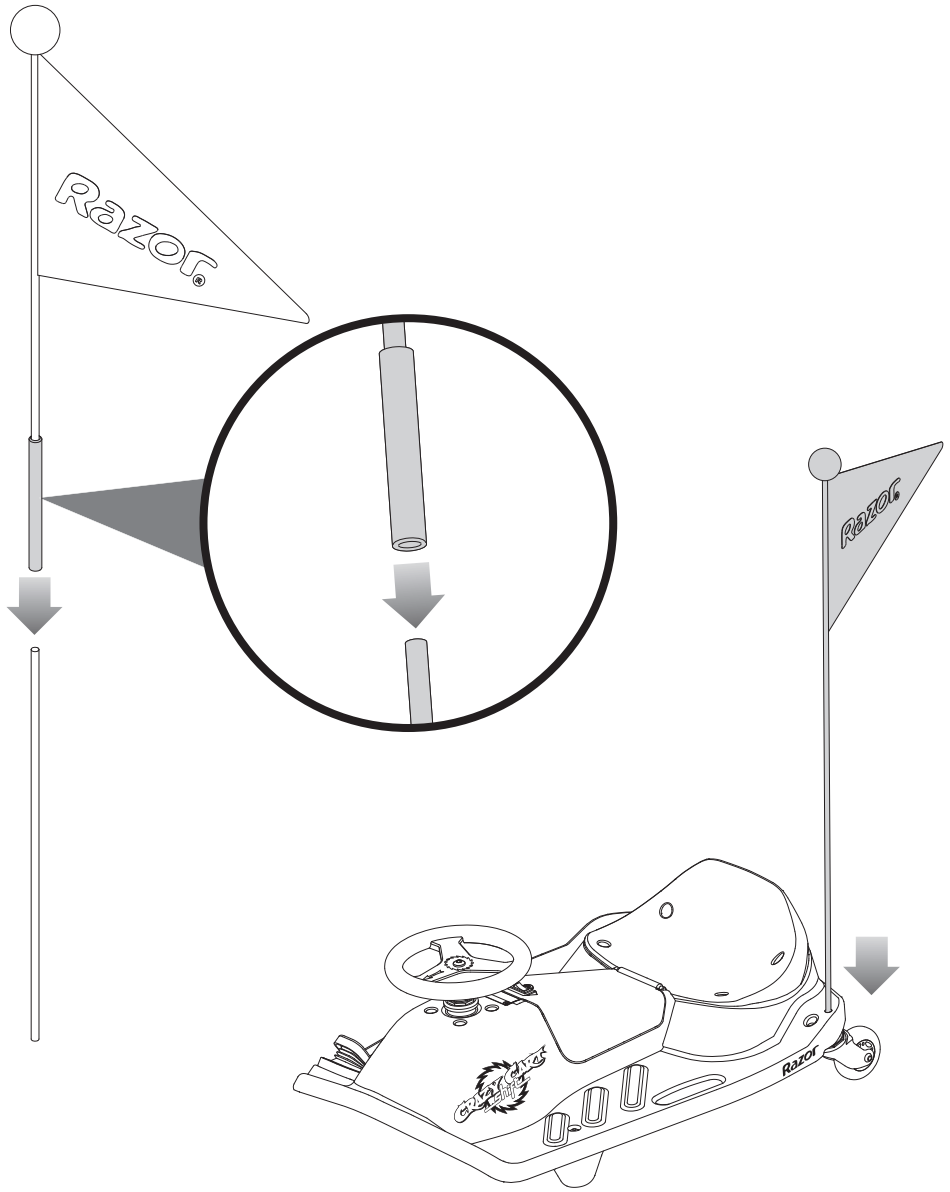


2

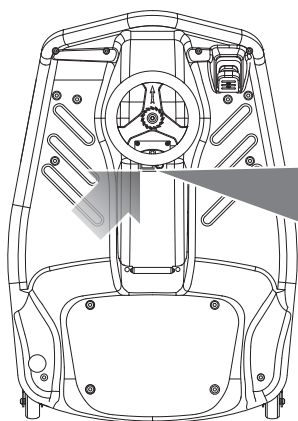


3

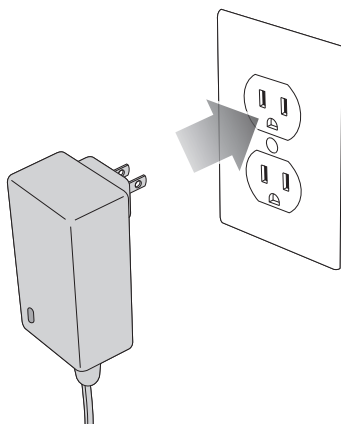




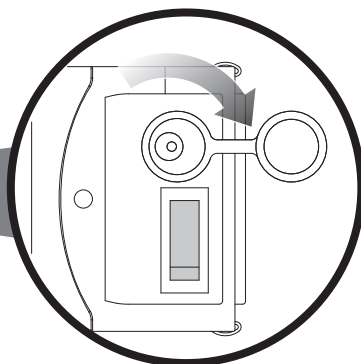
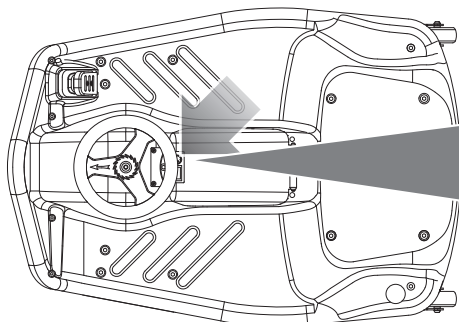
1



2



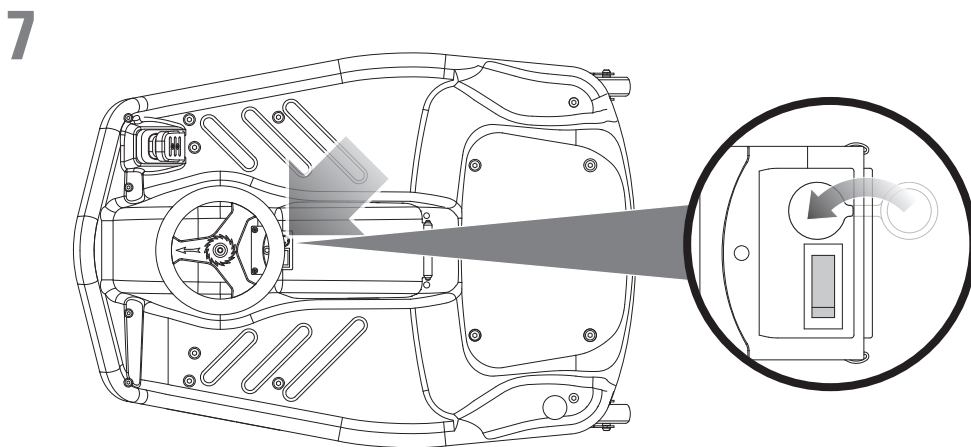
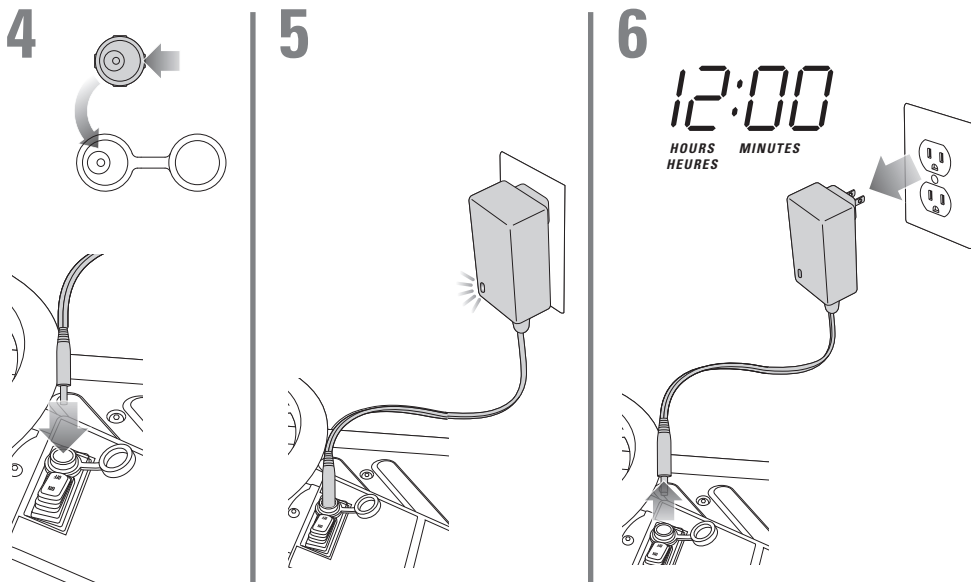
3



EN Initial charge time: 12 hours.
FR Temps de charge initial: 12 heures.
ES Tiempo de carga inicial: 12 horas.
DE Erstauffladezeit: 12 Stunden.
IT Tempo di carica iniziale: 12 ore.
NL Tijd eerste keer laden: 12 uur.
PT Tempo inicial de carga: 12 horas.
PL Czas pierwszego ładowania: 12 godzin.
HU Az első feltöltés ideje: 12 óra.

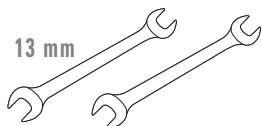
RU Время первой зарядки: 12 часов.
SV Laddningstid första laddning är 12 timmar.
NO Første ladetid: 12 timer.
DA Opladningstid første gang: 12 timer.
FI Ensilatausaika: 12 tuntia.
RO timp de încărcare inițială: 12 ore.
SK Čas prvého nabitia: 12 hodín.
CS Počáteční doba nabíjení: 12 hodin.
BG Първоначално време за зареждане: 12 часа.

TR İlk şarj süresi: 12 saat.
UK Час першого заряджання: 12 годин.
JA 初回充電時間: 12時間。
KO 첫충전시간: 12시간.
ZH 首次充電時間: 12小時。
AR زمن الشحن الأولي: 12 ساعة.
EL Αρχικός χρόνος φόρτισης: 12 ώρες.





- | | | |
|--------------------------------------|---|-----------------------------------|
| EN Repair and Maintenance | HU Javitás és karbantartás | CS Opravy a údržba |
| FR Réparations et maintenance | RU Ремонт и обслуживание | BG Поддръжка и ремонт |
| ES Reparación y mantenimiento | SV Reparation och underhåll | TR Onarım ve Bakım |
| DE Reparatur und Wartung | NO Reparasjon og vedlikehold | UK Ремонт і обслуговування |
| IT Riparazione e manutenzione | DA Reparation og vedligeholdelse | JA 修理とメンテナンス |
| NL Reparaties en onderhoud | FI Huolto ja kunnossapito | KO 수리 및 관리 |
| PT Reparação e manutenção | RO Reparații și întreținere | ZH 維修和維護 |
| PL Naprawy i konserwacja | SK Opravy a údržba | ZH 維修和維護 |

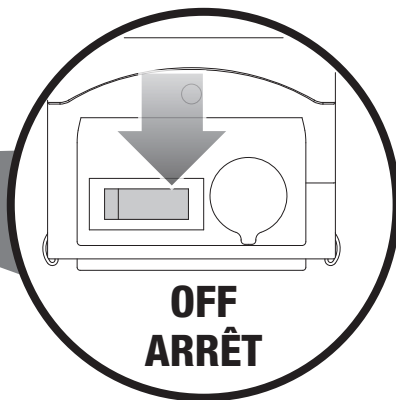
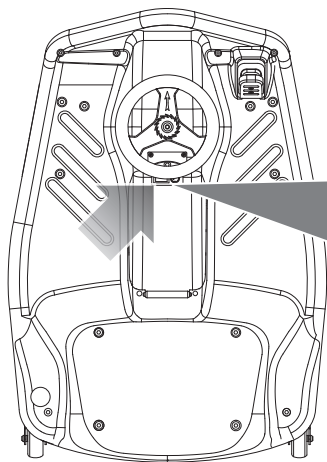


13 mm

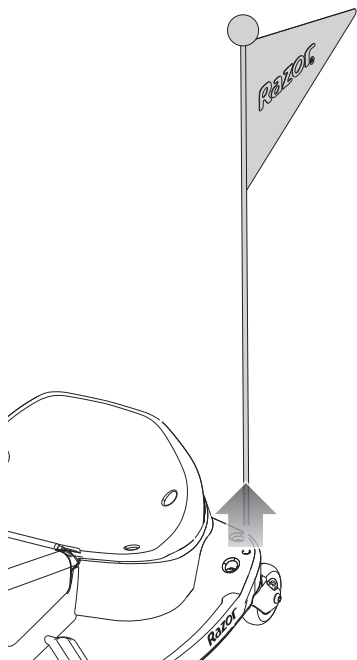


3 mm

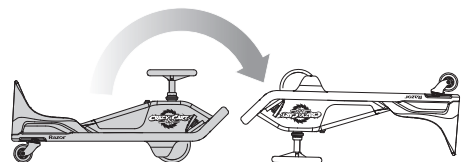
1



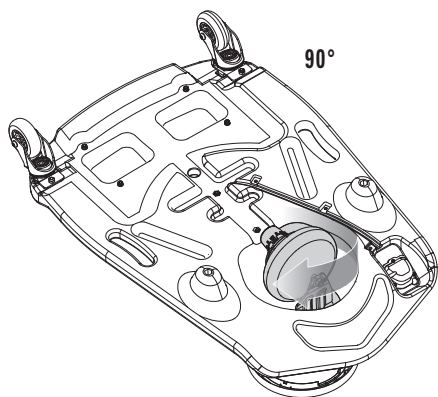
2



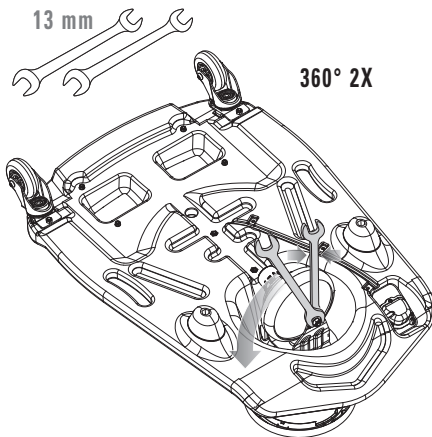
3



4

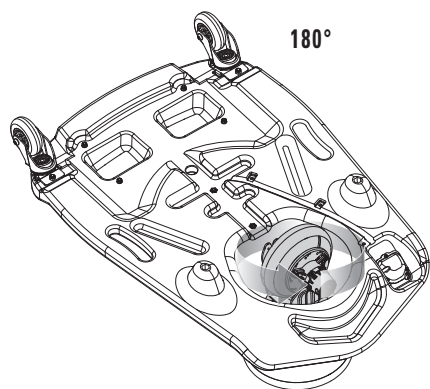


5

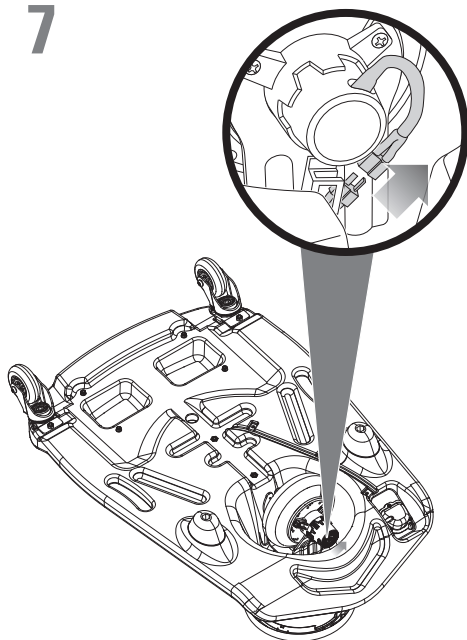


6

6

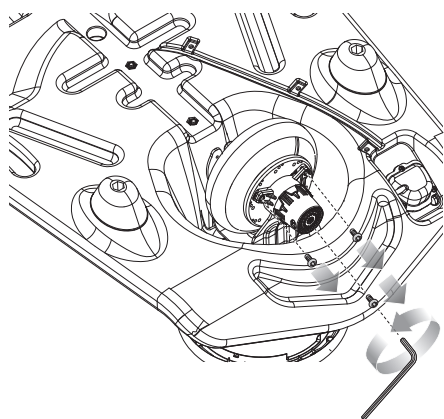


7

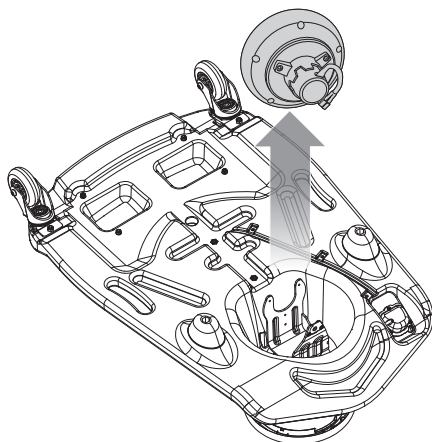


8

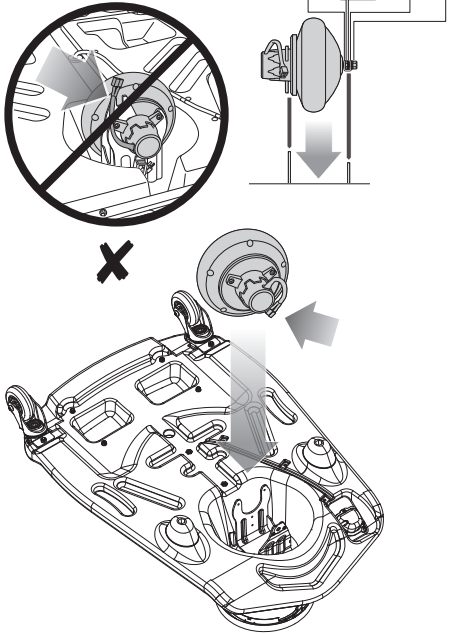
3 mm   3X



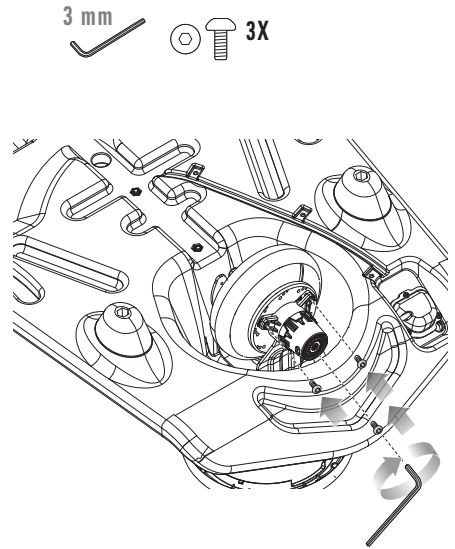
9



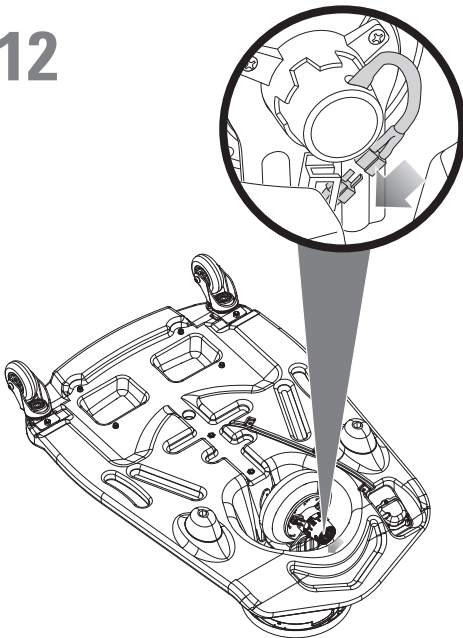
10



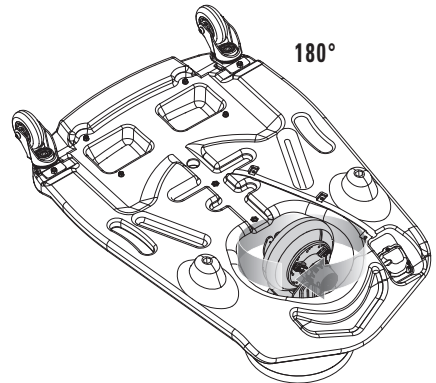
11



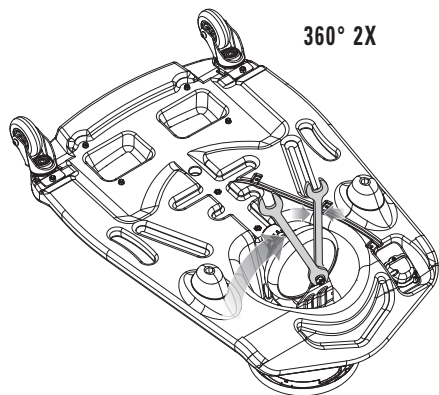
12



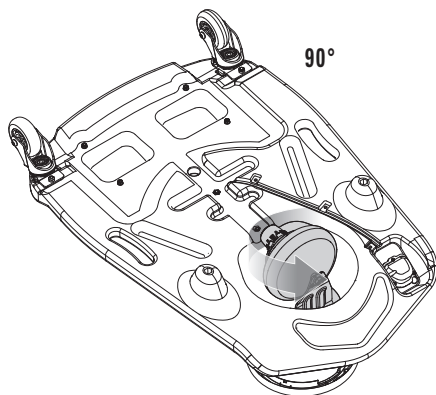
13



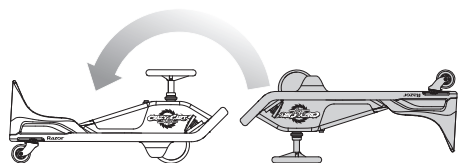
14



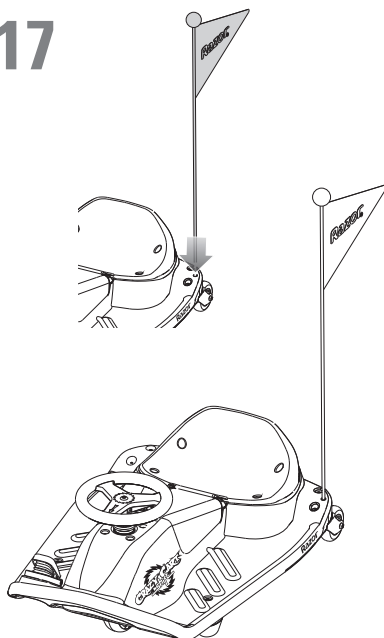
15

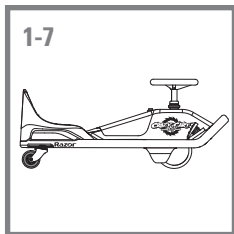


16

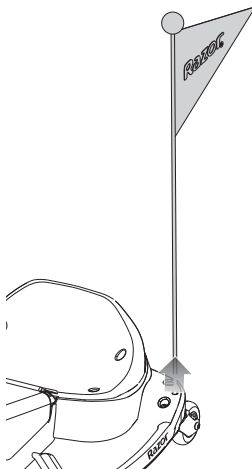


17

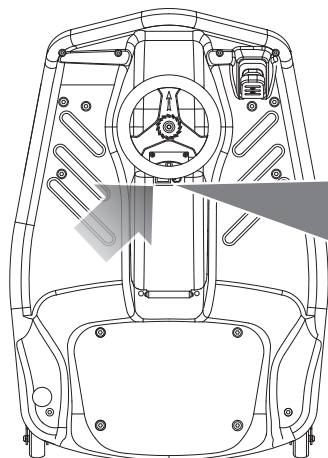




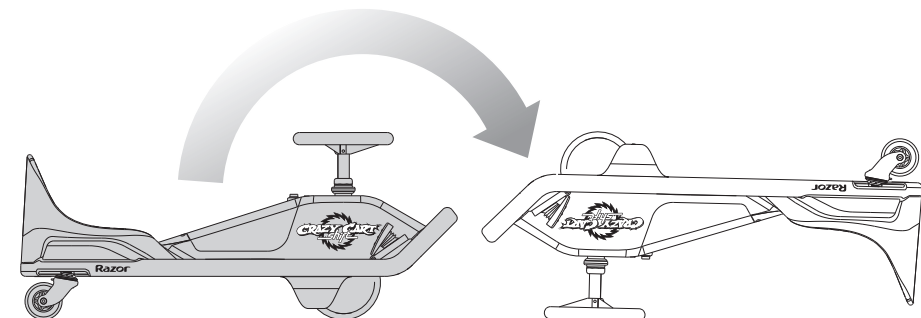
1 5 mm



2

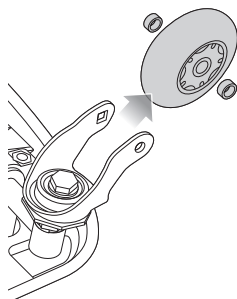
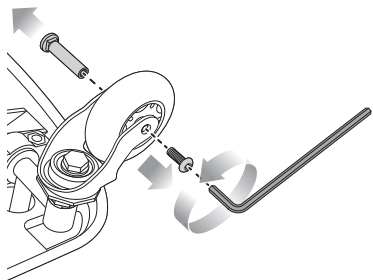


3



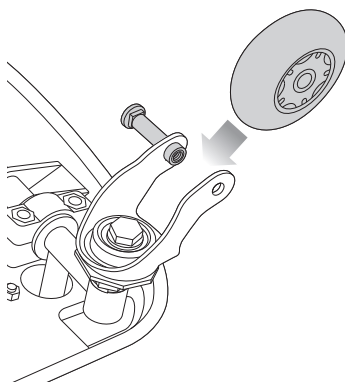
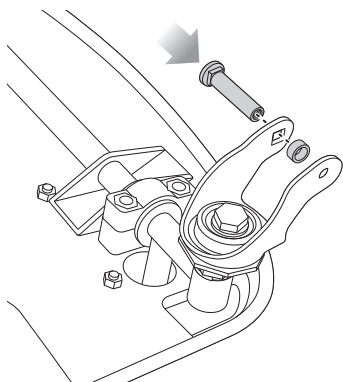
4 4.1

4.2

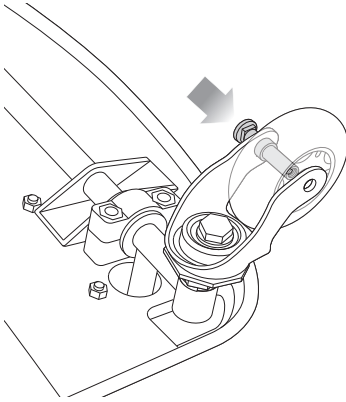


5 5.1

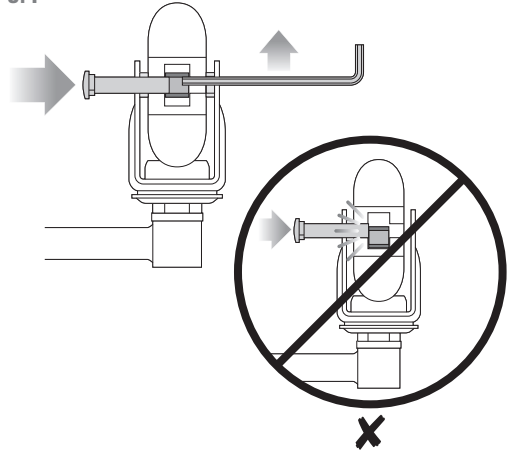
5.2



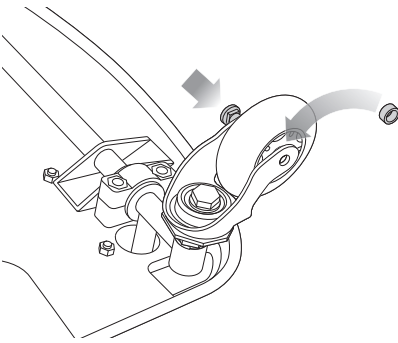
5.3



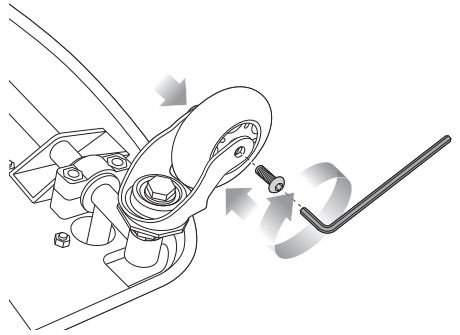
5.4



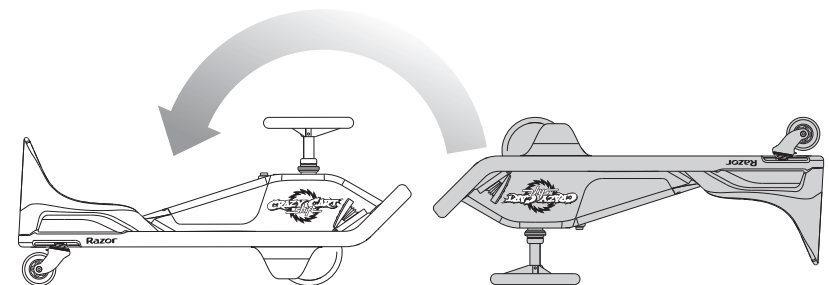
5.5



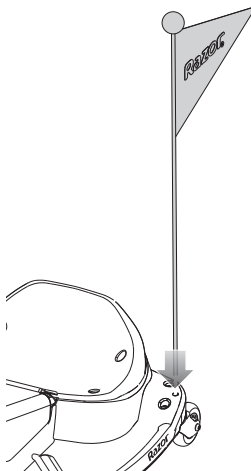
5.6

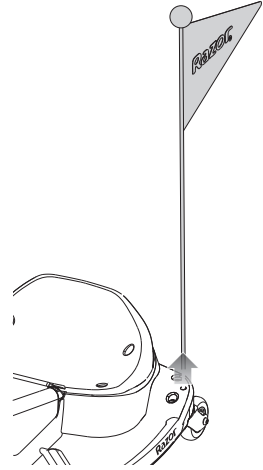
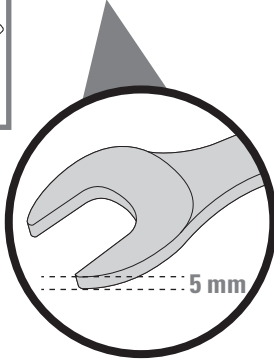
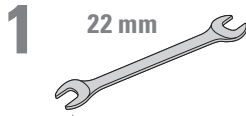
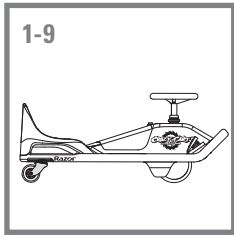


6

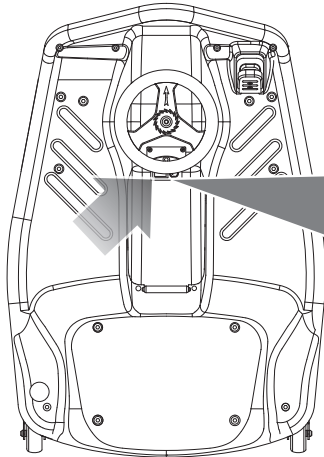


7

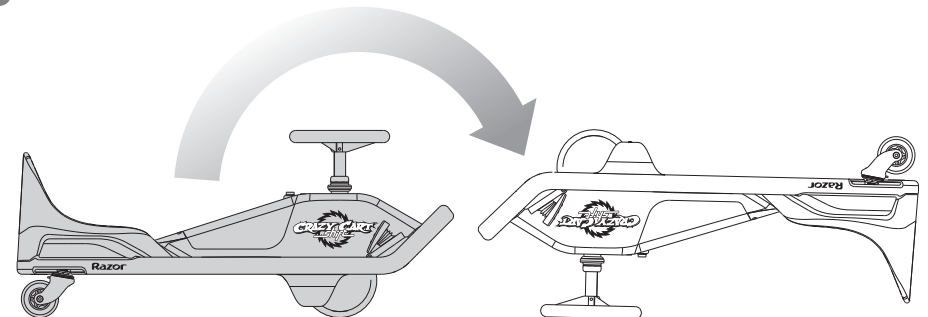




2



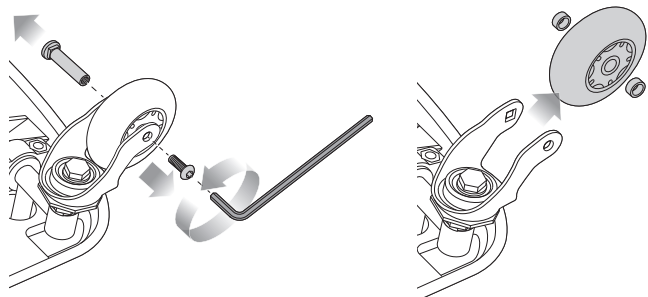
3



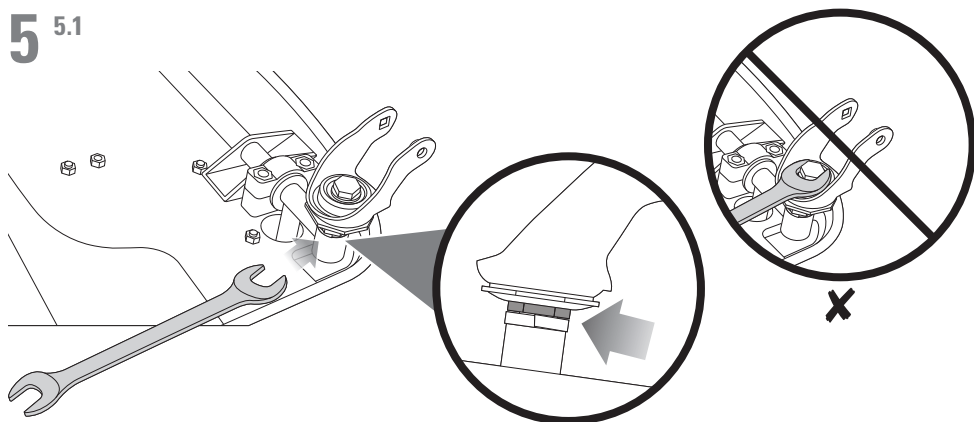
4



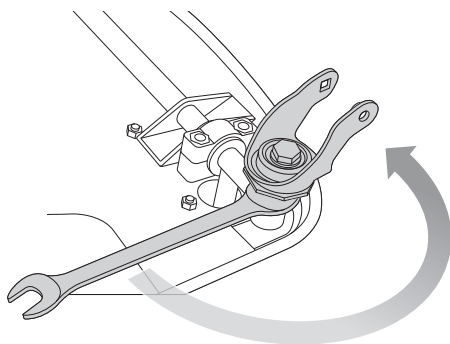
#4.1-4.2



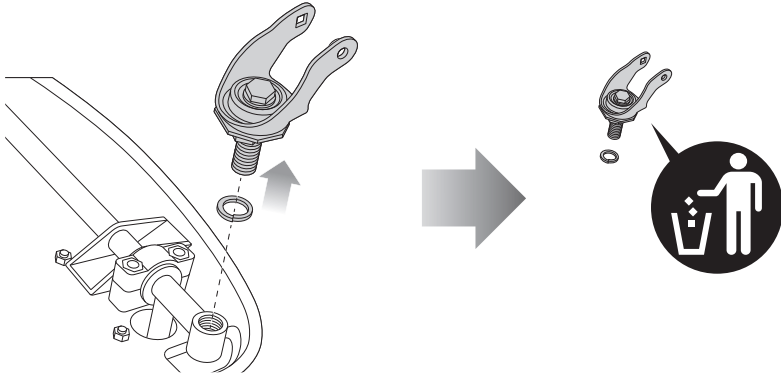
5 5.1



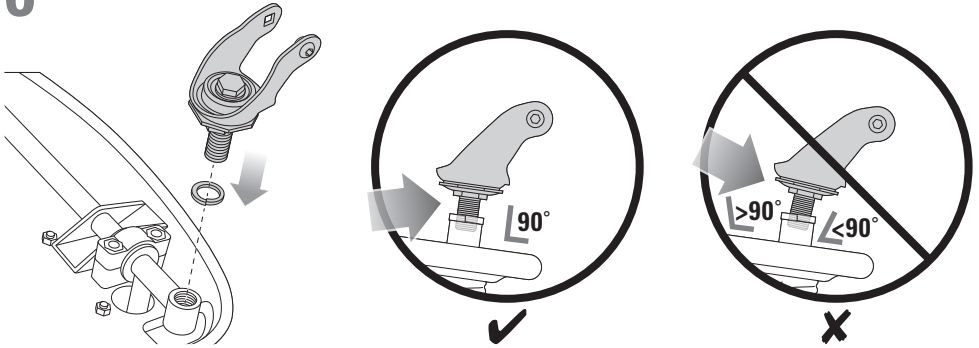
5.2



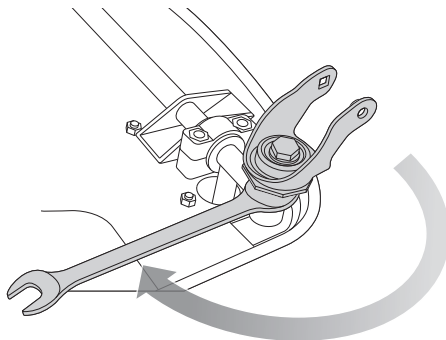
5.3



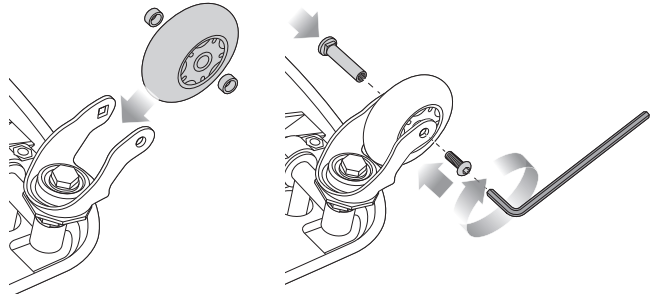
6 6.1



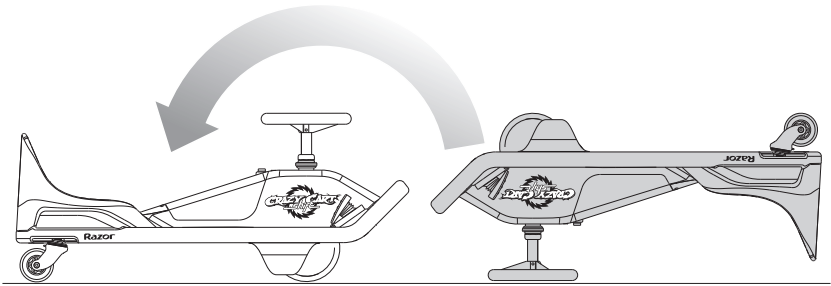
6.2



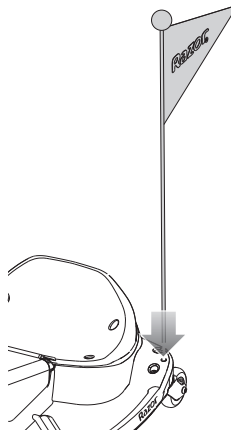
7



8



9



17

⚠ WARNING: The Crazy Cart Shift is not the same as an “ordinary” go-kart and therefore **may require greater skill to ride than an ordinary go-kart**. The Crazy Cart Shift is designed to allow movement forward, backward, laterally, in drifting arcs and even to pivot around in circles- and instead of a “conventional” brake, it uses these features to also allow very quick stopping and braking. It is extremely important to **start out slowly, and take the time to get familiar and comfortable with the Crazy Cart Shift’s unique directional control and braking abilities**, before attempting quick turns or other fast moving actions, or otherwise trying to make full use of the Crazy Cart Shift’s capabilities. **Using this product requires flat open space, free of traffic or other obstacles.**

⚠ WARNING: Riding any electric product can be a hazardous activity. Certain conditions may cause the equipment to fail without fault of the manufacturer. Like other electric ride-on products, the Crazy Cart Shift can and is intended to move, and it is therefore possible to lose control, fall off and/or get into dangerous situations that no amount of care, instruction or expertise can eliminate. If such things occur you can be seriously injured or die, even when using safety equipment and other precautions. **RIDE AT YOUR OWN RISK AND USE COMMON SENSE.**

⚠ WARNING: PARENTAL AND ADULT RESPONSIBILITY AND SUPERVISION NECESSARY: This manual contains important safety information. It is your responsibility to review this information and make sure that all riders understand all warnings, cautions, instructions and safety topics, and assure that young riders are able to safely and responsibly use this product. Razor recommends that you periodically review and reinforce the information in this manual with younger riders, and that you inspect and maintain your children’s product to ensure their safety.

⚠ WARNING: PARENT CONTROLLED HIGH/LOW SPEED SWITCH: The Crazy Cart Shift has a HIGH-LOW speed switch which can be manually set by an adult before children ride it. This switch allows parents to reduce the Crazy Cart Shift speed for novice riders.

Manufacturer’s suggested minimum rider age is 8+ in the HIGH speed setting and 6+ in the LOW speed setting. The default setting is HIGH.

⚠ WARNING: NOT FOR CHILDREN UNDER AGE 6 OR HEAVIER THAN 120 LB (54 KG). Because products, like the Crazy Cart Shift, can and do present potential hazards plainly associated with their use, it is well recognized THE NEED FOR EXERCISE OF PARENTAL RESPONSIBILITY IN SELECTING RIDING PRODUCTS APPROPRIATE TO THE AGE OF A CHILD, OR PARENTAL SUPERVISION IN SITUATIONS IN WHICH CHILDREN OF VARIOUS AGES MAY HAVE ACCESS TO THE SAME RIDING PRODUCTS, IS IMPORTANT. Not every product is appropriate for every age or size of child, and different age recommendations are found within this category of product which are intended to reflect the nature of the hazards and the expected mental or physical ability, or both, of a rider to cope with the hazards.

Razor recommends that children under the age of 6 not be permitted to use this product. This recommendation is based not just on age or weight or height – it reflects consideration of expected maturity and skills as well as physical size. The recommended rider age of 6 years or older is only an estimate and can be affected by the rider’s size, weight or skills – not every child 6 years old will be suited to the product. Certainly, any rider unable to fit comfortably on the Crazy Cart Shift should not attempt to ride it, but a **parent’s decision to allow his or her child to ride this product should be based on the child’s maturity, skill, and ability to follow rules. Razor emphasizes that adults are strongly advised not to disregard Razor’s recommendations or permit younger children to ride the Crazy Cart Shift.**

DO NOT EXCEED THE WEIGHT LIMIT OF 120 lb (54 kg). Rider weight alone also does not necessarily mean a person’s size is appropriate to fit or maintain control of the Crazy Cart Shift. Keep this product away from small children and remember that this product is intended for use only by persons who are, at a minimum, completely comfortable and competent while operating the product.

Persons with any mental or physical conditions that may make them susceptible to injury, impair their physical dexterity or mental capabilities to recognize, understand, and follow safety instructions, and to be able to understand the hazards inherent in a product’s use, should not use or be permitted to use products inappropriate for their abilities. Persons with heart conditions, head, back or neck ailments (or prior surgeries to these areas of the body), or pregnant women, should be cautioned not to operate this product.

NOTICE: This manual contains many warnings and cautions concerning the consequences of failing to maintain, inspect or properly use your electric ride-on product. Because any incident can result in serious injury or even death, we do not repeat the warning of possible serious injury or death each time such a possibility is mentioned.

CHECK AND MAINTAIN

Before use, check to confirm that any and all covers and guards are in place and in serviceable condition. Check that the parts are functioning properly, and that the main driving wheel is not worn out and needs to be replaced. The Crazy Cart Shift should be maintained and repaired in accordance with the manufacturer’s specifications, using only the manufacturer’s authorized replacement parts, and should not be modified from the manufacturer’s original design and configuration. Replace worn or broken parts immediately.

⚠ WARNING: SAFE OPERATION REQUIRES CAREFUL ATTENTION. This product does not have a traditional brake – stopping is done using the accelerator pedal and steering. Read “How to Operate” section of this manual and practice to develop skills in using the Crazy Cart Shift.

- **Always check and obey any local laws or regulations which may affect the locations where the Crazy Cart Shift may be used.** The Crazy Cart Shift is meant to be used on private property and on closed courses, and not on public streets or sidewalks. Do not ride your electric product in any areas where pedestrian or vehicle traffic is present.
- Do not turn the power switch in the Crazy Cart Shift to **ON** or depress/activate the accelerator pedal unless you are seated and in a safe, outdoor environment suitable for riding. Always turn the power switch to **OFF** before exiting the Crazy Cart Shift.
- Keep your fingers and other body parts away from the motor, steering system, wheels and all other moving components.
- Maintain a hold on the steering wheel at all times. Do not touch the hub motor on your Crazy Cart Shift when in use or immediately after riding as these parts can become very hot.
- Ride defensively. Watch out for potential obstacles that could catch your wheel(s) or force you to swerve suddenly or lose control. Be careful to avoid pedestrians, skaters, skateboards, scooters, bikes, children or animals who may enter your path, and respect the rights and property of others.
- This product was manufactured for performance and durability, but is not impervious to damage. Bumping into obstacles or other aggressive riding can overstress and damage any product, including the Crazy Cart Shift, and the rider assumes all risks associated with high-stress activity. This product is not a “bumper car.”
- Never carry passengers or allow more than one person at a time to ride the electric product.
- Never use headphones or a cell phone when riding. Never hitch a ride with another product.
- Do not ride the Crazy Cart Shift in wet or icy weather and never immerse this electric product in water, as the electrical and drive

EN



components could get damaged by water or possibly create other unsafe conditions.

- Wet, slick, bumpy, uneven or rough surfaces may increase risks. Do not ride this electric product in mud, ice, puddles or water. Avoid excessive speeds that can be associated with downhill rides. Never risk damaging surfaces, such as carpet or flooring, by using an electric product indoors.
- Never use near steps or swimming pools.
- Do not ride at night or when visibility is limited.
- You may see people on TV or videos performing stunts and trick maneuvers on the Crazy Cart Shift. These are people who have been practicing a long time and who accept the risks of trick riding. Do not assume that you can attempt to do the same tricks without great risk.
- Be careful and know your limitations. Risk of injury increases as the degree of riding difficulty increases. The rider assumes all risk associated with aggressive riding activities.

Proper Riding Attire

Always wear proper protective equipment, such as an approved safety helmet (with chin strap securely buckled). A helmet may be legally required by local law or regulation in your area. Elbow pads and kneepads, a long-sleeved shirt, long pants and gloves are recommended. Always wear athletic shoes (lace-up shoes with rubber soles), never ride barefooted or in sandals, and keep shoelaces tied and out of the way of the wheels, motor, and drive system.

Using the Charger

- Never modify the electric system. Alteration could cause a fire. Use of the wrong type of battery or charger could cause an explosion.
- BEFORE EACH USE: Charge the battery for AT LEAST 12 hours.
- Turn off after each ride. The battery may be unable to recharge if left "ON" without use.
- Do NOT store in freezing or below freezing temperatures! Freezing temperatures will permanently damage the battery.

- The charger supplied with the electric Crazy Cart Shift should be regularly examined for damage to the cord, plug, enclosure and other parts. In the event of such damage, the Crazy Cart Shift must not be charged until the charger has been repaired or replaced.
- Use only a charger recommended by Razor.
- Use caution when charging.
- The charger is not a toy. Charger should only be operated by an adult.
- Do not operate charger near flammable materials or an open flame.
- Unplug charger and disconnect from Crazy Cart Shift when not in use.
- Do not exceed charging time.
- Always disconnect Crazy Cart Shift from charger prior to wiping it down or cleaning with a damp cloth.

FAILURE TO USE COMMON SENSE AND HEED THE WARNINGS INCREASES RISK OF SERIOUS INJURY. USE WITH APPROPRIATE CAUTION AND SERIOUS ATTENTION TO SAFE OPERATION.

Limited Warranty:

This Limited Warranty is the only warranty for this product. There is no other express or implied warranty.

The manufacturer warrants this product to be free of manufacturing defects for a period of 90 days from date of purchase.

This Limited Warranty will be void if the product is ever:

- used in a manner other than for recreation or transportation;
- modified in any way;
- rented.



**CONTAINS SEALED NON-SPILLABLE
LEAD-ACID BATTERY.
BATTERY MUST BE RECYCLED.**



AVERTISSEMENT: Le Crazy Cart Shift n'est pas un kart « ordinaire », les **compétences nécessaires pour le conduire peuvent être supérieures à celles requises pour conduire un kart ordinaire.** Le Crazy Cart Shift est conçu pour permettre la marche en avant, en arrière, latérale, en trajectoire d'arcs en dérapages et même la rotation sous forme de cercles - et, **à la place d'un système de freinage « conventionnel », il utilise ces caractéristiques techniques pour permettre, également, un freinage et un arrêt rapides.** Il est extrêmement important de se **lancer progressivement et de prendre le temps de se familiariser et d'être à l'aise** avec les capacités uniques du Crazy Cart Shift relatives au maniement du système de direction et de freinage, avant de tenter des virages rapides ou d'autres choix de trajectoire à vitesse élevée, ou, autrement dit, avant d'essayer d'utiliser pleinement les capacités motrices du Crazy Cart Shift. **L'utilisation de ce produit demande un espace ouvert et plat, affranchi de circulation ou d'autres obstacles.**

AVERTISSEMENT: L'utilisation d'un produit électrique peut être une activité dangereuse. Certaines conditions peuvent entraîner une défaillance de l'équipement sans que le fabricant soit mis en cause. Comme d'autres véhicules électriques, le Crazy Cart Shift peut, et est prévu pour, se déplacer ; il est donc possible de perdre le contrôle, de chuter et / ou d'être confronté à des situations dangereuses qu'aucune précaution, aucune connaissance ou aucune expertise ne saurait éviter. Dans de tels cas, vous pouvez être grièvement blessé ou mourir, et ce même si vous utilisez un équipement de sécurité et prenez d'autres précautions. **UTILISER À VOS PROPRES RISQUES ET FAIRE PREUVE DE BON SENS.**

AVERTISSEMENT: LA RESPONSABILITÉ ET LA SUPERVISION D'UN PARENT ET D'UN ADULTE SONT NÉCESSAIRES: Ce manuel contient des informations de sécurité importantes. Il est de votre responsabilité d'étudier ces informations et de vous assurer que tous les utilisateurs comprennent tous les avertissements, mises en garde, instructions et consignes de sécurité. Vous devez également vous assurer que les jeunes usagers sont capables d'utiliser ce produit en toute sécurité et de façon responsable. Avec de jeunes usagers, Razor recommande de reprendre régulièrement les informations contenues dans ce manuel et d'en souligner de nouveau l'importance ; vous êtes également tenu d'inspecter et d'entretenir le produit de votre enfant pour assurer sa sécurité.

AVERTISSEMENT : INTERRUPTEUR PARENTAL DE VITESSE HIGH/LOW (HAUTE/BASSE): Le Crazy Cart Shift a un interrupteur de vitesse HIGH-LOW qui peut être réglé manuellement par un adulte avant son utilisation par un enfant. Cet interrupteur permet aux parents de réduire la vitesse du Crazy Cart Shift pour les utilisateurs novices.

L'âge minimal d'utilisation suggéré par le constructeur est de 8 ans et plus en vitesse HIGH et de 6 ans et plus en vitesse LOW. Le réglage par défaut est HIGH.

AVERTISSEMENT: CE PRODUIT NE CONVIENT PAS AUX ENFANTS DE MOINS DE 6 ANS OU D'UN POIDS SUPÉRIEUR À 54 KG. Parce que les produits comme le Crazy Cart Shift présentent des risques pleinement associés à leur utilisation, LA RESPONSABILITÉ D'UN PARENT DANS LE CHOIX D'UN PRODUIT ROULANT APPROPRIÉ À L'ÂGE DE L'ENFANT OU LA SUPERVISION D'UN PARENT DANS LES SITUATIONS OÙ DES ENFANTS D'ÂGES DIFFÉRENTS PEUVENT AVOIR ACCÈS AUX MÊMES PRODUITS ROULANTS EST NÉCESSAIRE ET IMPORTANTE. Tout produit n'est pas approprié aux enfants de tout âge ou de toute taille, il existe différentes recommandations relatives à l'âge dans cette catégorie de produits, pour prendre en compte la nature des dangers et les capacités physiques ou mentales d'un enfant à faire face aux dangers.

La société Razor recommande que l'usage de ce produit ne soit pas permis aux enfants âgés de moins de 6 ans. Cette recommandation est fondée non, tout simplement, sur l'âge, le poids ou la taille - mais elle reflète la prise en compte de la maturité attendue ainsi que l'aspect physique. L'âge recommandé de 6 ans ou plus est seulement une estimation, et il peut être affecté par la taille, le poids ou les capacités de l'utilisateur. - ce produit ne sera pas considéré comme convenable, d'emblée, pour chaque enfant âgé de 6 ans. Certes, tout enfant conducteur qui ne serait pas en mesure de s'adapter, avec aisance, au Crazy Cart Shift ne devrait pas essayer de le conduire, mais la **décision des parents de permettre à son enfant de conduire ce véhicule devrait se fonder sur la maturité, les**

compétences et la capacité à appliquer des règles. La société Razor souligne qu'il est fortement recommandé aux adultes de ne pas négliger ses recommandations ni d'autoriser des enfants d'âge inférieur au seuil susmentionné de conduire le Crazy Cart Shift.

NE PAS DÉPASSER LA LIMITE DE POIDS DE 54 kg. Le poids de l'utilisateur ne signifie pas forcément, à lui seul, que la taille de la personne est appropriée pour convenir au Crazy Cart Shift ou en garder le contrôle. Tenez ce produit hors de portée des enfants en bas âge et rappelez-vous qu'il est exclusivement destiné à des personnes qui, au minimum, se sentent totalement à l'aise et compétentes pour utiliser le produit.

Toute personne présentant des problèmes mentaux ou physiques qui l'exposent aux blessures ou qui risquent de nuire à sa dextérité ou à sa capacité mentale de reconnaître, comprendre et suivre les directives de sécurité et à sa capacité de comprendre le danger relatif à l'utilisation d'un produit ne doit pas utiliser ou avoir la permission d'utiliser des produits dont ils ne peuvent avoir la maîtrise. Il faut prévenir les personnes souffrant de maladies cardiaques, de douleurs à la tête, au dos ou au cou (ou ayant subi des chirurgies à ces parties du corps) et les femmes enceintes de ne pas utiliser ce produit.

AVIS: Ce manuel contient de nombreux avertissements et mises en garde concernant les conséquences d'un manque d'entretien, d'inspection ou d'une mauvaise utilisation de votre véhicule électrique. Tout accident peut provoquer des blessures sérieuses ou même la mort, c'est pourquoi nous ne vous avertissons pas du potentiel de blessure ou de mort chaque fois qu'une telle possibilité est mentionnée.

VÉRIFICATION ET ENTRETIEN

Avant l'utilisation, vérifier que tous les capots ou autres protections sont en place et en bon état. Vérifier que les pièces fonctionnent correctement, que la roue motrice n'est pas usée ou à remplacer. Il faut entretenir et réparer le Crazy Cart Shift conformément aux spécifications du fabricant en utilisant uniquement les pièces de rechange homologuées par le fabricant. Il faut également éviter d'en modifier la conception et la configuration d'origine. Remplacer immédiatement les pièces usées ou brisées.

AVERTISSEMENT: LE FONCTIONNEMENT DE CE PRODUIT EN TOUTE SÉCURITÉ EXIGE UNE ATTENTION DE TOUS LES INSTANTS. Le présent produit ne dispose pas d'un système de freinage traditionnel - c'est pourquoi, son arrêt est effectué par le biais de la pédale d'accélérateur et le système de direction. Veuillez lire la section « Mode de fonctionnement » et vous exercer afin de développer vos compétences à conduire le Crazy Cart Shift.

- **Toujours vérifier et respecter les lois ou réglementations locales applicables aux endroits où le Crazy Cart Shift peut être utilisé.** Le Crazy Cart Shift est prévu pour être utilisé sur des propriétés privées et des circuits fermés, mais pas sur les voies publiques ou les trottoirs. Ne roulez pas avec votre véhicule électrique dans des secteurs où un trafic piéton ou automobile est présent.
- Ne touchez pas le commutateur de mise sous tension du Crazy Cart Shift en position **ON** et n'appuyez pas, non plus, sur la pédale de l'accélérateur, à moins que vous ne soyez installé

dans un environnement extérieur, remplissant les conditions nécessaires à une conduite en toute sécurité. Tournez, toujours, le commutateur de mise sous tension jusqu'à la position **OFF**, avant de descendre du Crazy Cart Shift.

- Tenez vos doigts et les autres parties de votre corps à l'écart du moteur, du système de direction, des roues et de tous les autres éléments en mouvement.
- Gardez les mains sur le volant en tout temps. Ne touchez pas le moyeu moteur de votre Crazy Cart Shift pendant l'utilisation ou juste après car ces pièces peuvent devenir très chaudes.
- Adopter une conduite défensive. Prenez garde aux obstacles éventuels qui pourraient s'accrocher à la roue, vous forcer à dévier brusquement ou vous faire perdre le contrôle du véhicule. Veillez à éviter les piétons, les planchistes, les planches à roulettes, les trottinettes, les vélos, les enfants ou les animaux qui pourraient couper votre trajectoire ; respectez les droits et la propriété d'autrui.
- Ce produit a été fabriqué pour offrir performance et durabilité, mais il n'est pas exclu de l'endommager. Les chocs avec des obstacles, les sauts ou toute autre conduite agressive peuvent provoquer des contraintes excessives et endommager tout produit, y compris le Crazy Cart Shift ; l'utilisateur assume tous les risques associés à une activité nerveusement éprouvante. Le présent produit n'est pas une « auto-tamponneuse ».
- Ne transportez jamais de passagers ou ne laissez jamais plus d'une personne à la fois monter sur le véhicule électrique.
- Ne jamais utiliser d'écouteurs ou de téléphone portable en roulant. Ne vous accrochez jamais à un autre véhicule.
- Ne conduisez pas le Crazy Cart Shift par temps humide ou en présence de verglas et n'immergez jamais ce véhicule électrique dans l'eau, car les éléments électriques et les organes de transmission pourraient être endommagés par l'eau ou risquer de créer d'autres conditions d'insécurité éventuelles.
- Les surfaces humides, glissantes, bosselées, inégales ou rugueuses peuvent augmenter les risques. Ne conduisez pas le véhicule électrique dans la boue, sur la glace, dans les flaques ou dans l'eau. Évitez la vitesse excessive associée à la descente. Ne risquez jamais d'endommager des surfaces telles que de la moquette ou du plancher en utilisant le véhicule électrique à l'intérieur.
- Ne jamais utiliser à proximité de marches ou de piscines.
- Ne pas rouler de nuit ou lorsque la visibilité est limitée.
- Vous pourriez voir, à la télévision ou dans des films vidéo, des gens exécuter des cascades et des manœuvres risquées avec le Crazy Cart Shift. Il s'agit de personnes pratiquant depuis longtemps et qui acceptent les risques liés à une telle pratique. Ne pas présumer que vous pouvez tenter ce genre de cascades sans aucun risque.
- Soyez prudent et maîtrisez vos limites. Le risque de blessure augmente proportionnellement au niveau de difficulté de conduite. L'utilisateur assume tous les risques associés à la pratique d'une conduite agressive.

Vêtements appropriés

Portez toujours un équipement de protection approprié, tel qu'un casque homologué (avec la jugulaire correctement bouclée). Il peut être obligatoire de porter un casque de protection en vertu de la loi ou de la réglementation locale. Il est recommandé de porter des coudières et des genouillères, un T-shirt à manches longues, un pantalon et des gants. Portez toujours des chaussures de sport (des chaussures à lacets avec des semelles caoutchouc) ; ne roulez jamais pieds nus ou en sandales, et assurez-vous que vos lacets restent noués et hors de la trajectoire des roues, du moteur et du système de transmission.

Utiliser le chargeur

- Ne jamais modifier le système électrique. Une modification peut entraîner un incendie. L'utilisation du mauvais type de batterie ou de chargeur peut provoquer une explosion.
- **AVANT CHAQUE UTILISATION** : recharger la batterie pendant **AU MOINS 12 heures**.
- Éteindre après chaque utilisation. Il pourrait être impossible de recharger la batterie si elle est allumée sans être utilisée.
- **NE PAS** entreposer à 0 °C ou moins ! Le gel endommagera la batterie de façon permanente.
- Le chargeur fourni avec le Crazy Cart Shift doit être régulièrement examiné pour vérifier si le câble, la prise, le boîtier et les autres pièces sont endommagés. Si un des composants est endommagé, le Crazy Cart Shift ne doit pas être chargé tant que le chargeur n'a pas été réparé ou remplacé.
- Utiliser uniquement un chargeur recommandé par Razor.
- Prenez vos précautions durant la charge.
- Le chargeur n'est pas un jouet. Le chargeur doit uniquement être utilisé par un adulte.
- Ne pas utiliser le chargeur près de matériaux inflammables ou d'une flamme nue.
- Débranchez le chargeur et déconnectez-le du Crazy Cart Shift lorsque vous ne l'utilisez pas.
- Ne pas dépasser le temps de charge.
- Toujours débrancher le Crazy Cart Shift du chargeur avant de l'essuyer ou de la nettoyer avec un linge humide.

L'ABSENCE DE BON SENS ET LE NON-RESPECT DES AVERTISSEMENTS AUGMENTENT LE RISQUE DE LÉSIONS GRAVES. UTILISEZ CE PRODUIT AVEC L'ATTENTION ET LE SÉRIEUX NÉCESSAIRES À UNE PRATIQUE SÉCURISÉE.

Garantie limitée:

Cette garantie limitée est la seule garantie couvrant ce produit. Il n'existe aucune autre garantie explicite ou tacite. Le fabricant garantit que ce v vproduit est exempt de défauts de fabrication pour une durée de 90 jours à compter de la date d'achat. Cette garantie limitée s'applique si le produit est :

- utilisé autrement qu'à des fins de loisirs ou de transport ;
- modifié de quelque manière que ce soit ;
- loué.



CONTIENT UNE BATTERIE AU PLOMB ÉTANCHE SANS ENTRETIEN. LA BATTERIE DOIT ÊTRE RECYCLÉE.



⚠️ ADVERTENCIA: El Crazy Cart Shift no es como un kart "ordinario" y, por lo tanto, se **necesita una mayor destreza para conducirlo**. El Crazy Cart Shift está diseñado para poder ir marcha adelante y marcha atrás e incluso para girar en círculos; en **lugar de un freno "convencional", utiliza estas funciones también para frenar y parar rápidamente**. Es muy importante **empezar poco a poco y tomarse el tiempo necesario para familiarizarse y sentirse cómodo** con el control direccional exclusivo y la capacidad de frenado de Crazy Cart Shift, antes de probar giros rápidos u otras acciones de movimiento rápido o tratar de utilizar todas las funciones de Crazy Cart Shift. **Este producto debe utilizarse en un espacio abierto con superficie llana, sin tráfico u otros obstáculos.**

⚠️ ADVERTENCIA: Conducir cualquier producto eléctrico puede ser una actividad peligrosa. Determinadas condiciones pueden causar fallas en el equipo, sin que exista culpa del fabricante. Como todo producto eléctrico, el Crazy Cart Shift puede desplazarse y está diseñado para ello, por lo que es posible perder el control, caer y/o encontrarse en situaciones peligrosas, que ningún cuidado, instrucción o experiencia pueden evitar. De producirse tales situaciones, el conductor puede resultar gravemente herido o morir, aun cuando se use equipo de seguridad y se tomen otras precauciones. **ÚSELO BAJO SU PROPIO RIESGO Y APLICANDO EL SENTIDO COMÚN.**

⚠️ ADVERTENCIA: SE REQUIERE LA SUPERVISIÓN Y RESPONSABILIDAD DE PADRES O ADULTOS: Este manual contiene importante información sobre seguridad. Es su responsabilidad examinar esta información y asegurarse de que todos los usuarios entiendan todas las advertencias, precauciones, instrucciones y pautas sobre seguridad, así como garantizar que los conductores jóvenes sean capaces de usar este producto de forma segura y responsable. Razor le recomienda leer y reforzar periódicamente la información de este manual con los conductores más jóvenes y realizar la inspección y mantenimiento del producto de sus niños, a fin de garantizar su seguridad.

⚠️ ADVERTENCIA: INTERRUPTOR DE VELOCIDAD ALTA/BAJA (HIGH/LOW) PARA CONTROL PARENTAL: El Crazy Cart Shift tiene un interruptor de velocidad ALTA/BAJA que un adulto puede configurar manualmente antes de que lo usen los niños. Este interruptor permite a los padres disminuir la velocidad del Crazy Cart Shift para conductores noveles.

El fabricante sugiere una edad mínima de 8 años para el uso de la velocidad ALTA y más de 6 años para la velocidad BAJA. La configuración predeterminada es ALTA.

⚠️ ADVERTENCIA: NO INDICADO PARA NIÑOS MENORES DE 6 AÑOS O QUE PESEN MÁS DE 54 KG. Debido a que los productos como el Crazy Cart Shift pueden presentar, y de hecho presentan, peligros potenciales directamente relacionados con su uso, ES IMPORTANTE EL EJERCICIO DE LA RESPONSABILIDAD PARENTAL A LA HORA DE SELECCIONAR LOS PRODUCTOS DE CONDUCCIÓN APROPIADOS SEGÚN LA EDAD DEL NIÑO, O LA SUPERVISIÓN DE LOS PADRES EN SITUACIONES EN LAS QUE NIÑOS DE DIFERENTES EDADES PUEDAN TENER ACCESO A LOS MISMOS PRODUCTOS DE CONDUCCIÓN. Dado que no todos los productos son apropiados para todas las edades ni tamaños de niños, se han fijado diferentes recomendaciones de edad en esta categoría de producto, que pretenden reflejar el tipo de peligros y la capacidad física o mental esperadas, o ambas, de un niño para poder hacer frente a posibles peligros.

Razor recomienda no permitir el uso de este producto a niños menores de 6 años. Esta recomendación se fundamenta, no sólo en la edad o el peso, sino también en el nivel de madurez y habilidad esperables para la edad, además del tamaño físico del conductor. La edad recomendada a partir de 6 años del conductor es solo una estimación, pudiendo variar según el tamaño, el peso y la habilidad del niño; no todos los niños de 6 años son aptos para el producto. En cualquier caso, un conductor que no se sienta cómodo en el Crazy Cart Shift no debería tratar de conducirlo; no obstante, la decisión de los padres de permitir que su hijo/a conduzca este producto debe basarse en el nivel de madurez, habilidad y capacidad de cumplir las normas del conductor. **Razor insiste encarecidamente en que los adultos no desoigan las recomendaciones de Razor y no permitan a niños más pequeños conducir el Crazy Cart Shift.**

EL PESO DEL CONDUCTOR NO DEBE EXCEDER EL LÍMITE DE 54 kg. El peso del conductor no necesariamente significa que el tamaño de la persona es apropiado para estar cómodo o mantener el control del Crazy Cart Shift. Mantenga este producto alejado de los niños pequeños y recuerde que está previsto solo para ser usado por personas que, como mínimo, pueden manejar el producto de forma totalmente cómoda y competente.

Aquellas personas cuyas condiciones psíquicas o físicas puedan hacerlas susceptibles de sufrir daños, o ver sus habilidades físicas o capacidades mentales afectadas a la hora de reconocer, comprender y seguir las instrucciones de seguridad y ser capaces de entender los riesgos inherentes a la utilización del producto no deberían utilizar o no se les debería permitir utilizar productos inapropiados. Las personas con problemas de corazón, cabeza, espalda o cuello (o que hayan sido sometidas a cirugías de estas áreas corporales), o mujeres embarazadas, deberán ser advertidas de no usar este producto.

AVISO: Este manual contiene numerosas advertencias y precauciones, respecto a las consecuencias derivadas de la falta de mantenimiento, inspección o uso apropiado del producto eléctrico. Debido a que todo accidente puede derivar en lesiones graves e incluso en la muerte, no reiteramos la advertencia sobre posibles lesiones graves o muerte, cada vez que esta posibilidad sea mencionada.

REVISIÓN Y MANTENIMIENTO

Antes de utilizarlo, revise y confirme que todas las cubiertas y los cubrecadenas están en su sitio y en buen estado. Compruebe que las piezas funcionan correctamente y que el neumático motriz principal no está gastado y no necesita cambiarse. El mantenimiento y las reparaciones del Crazy Cart Shift deben realizarse de acuerdo con las especificaciones del fabricante y exclusivamente con recambios autorizados por el fabricante, y respetando el diseño y la configuración originales del fabricante. Sustituya de inmediato las partes deterioradas o rotas.

⚠️ ADVERTENCIA: EL USO SEGURO DEL PRODUCTO REQUIERE MÁXIMA ATENCIÓN. Este producto no incluye un freno convencional; se para con ayuda del pedal del acelerador y la dirección. Lea la sección "Cómo conducir" de este manual y practique para desarrollar las habilidades necesarias para utilizar el Crazy Cart Shift.

- **Infórmese y respete siempre las leyes y reglamentaciones locales, que puedan determinar los lugares permitidos para el uso del Crazy Cart Shift.** El Crazy Cart Shift está diseñado para ser usado en sitios de propiedad privada y en áreas cerradas, pero no en la vía pública ni en la acera. No circule con el producto eléctrico en zonas con presencia de peatones o tráfico vehicular.
- No coloque el interruptor de encendido del Crazy Cart Shift en la posición **ON** ni pise/active el pedal del acelerador a menos que esté sentado y en un entorno seguro en exteriores y adecuado para la práctica. Coloque siempre el interruptor de encendido en la posición **OFF** antes de salir del Crazy Cart Shift.
- Mantenga los dedos y otras partes del cuerpo alejados del motor, del sistema de dirección, de las ruedas y de cualquier otro componente móvil.
- Nunca suelte las manos del volante. No toque el motor central del Crazy Cart Shift cuando esté activado, ni inmediatamente después de conducir, ya que estas piezas pueden estar muy calientes.
- Conduzca prestando máxima atención. Preste atención a posibles obstáculos, que puedan enganchar las ruedas y obligar a un viraje brusco o llevar a la pérdida repentina del control. Tenga cuidado para esquivar a peatones, patinadores, patinetes, escúteres,

ES



- bicicletas, niños o animales, que pudieran cruzarse en el camino, y respete los derechos y las propiedades de los demás.
- Este producto ha sido fabricado para rendir y durar, pero no es inmune a los daños. Chocar contra obstáculos o conducir de forma violenta puede sobreexigir y dañar cualquier producto, incluido el Crazy Cart Shift, y el conductor asume todos los riesgos por cualquier actividad de exigencia extrema. Este producto no es un "coche de choque".
 - Nunca lleve pasajeros ni permita que más de una persona conduzca el producto eléctrico al mismo tiempo.
 - Nunca utilice audífonos o teléfono celular al conducir. Nunca se haga remolcar por otro vehículo.
 - No circule con el Crazy Cart Shift con tiempo lluvioso o heladas y nunca sumerja el producto eléctrico en el agua, ya que los componentes eléctricos y de propulsión podrían dañarse o crear otras condiciones de posible inseguridad.
 - Las superficies húmedas, con baches, irregulares o rugosas pueden incrementar los riesgos. No conduzca este producto eléctrico sobre lodo, hielo, charcos ni agua. Evite la velocidad excesiva en trayectos en pendiente. No se arriesgue a dañar superficies como alfombras o pisos, usando el producto eléctrico en interiores.
 - No lo utilice nunca cerca de escaleras o piscinas.
 - No conduzca de noche o cuando la visibilidad sea limitada.
 - Es posible que vea a personas en televisión o vídeos realizar piruetas o trucos en el Crazy Cart Shift. Pero estas personas han practicado mucho tiempo y aceptan los riesgos implícitos en la realización de trucos. La realización de trucos conlleva una serie de riesgos graves; no los subestime.
 - Tenga cuidado y conozca sus propias limitaciones. El riesgo de sufrir lesiones aumenta en proporción al grado de dificultad en la conducción. El conductor asume todo riesgo por actividades violentas al conducir.

Vestimenta apropiada para conducir

Lleve siempre equipo de protección adecuado, como casco de seguridad homologado (con el barboquejo bien abrochado). Un casco puede ser requerido por ley o regulación local en su área. Es aconsejable llevar coderas y rodilleras, una camiseta de manga larga, pantalones largos y guantes. Llevar siempre zapatos deportivos (zapatos con cordones y suela de goma); nunca conducir descalzo o con sandalias y tener siempre los cordones atados y lejos de las ruedas, del motor y del sistema de tracción.

Uso del cargador

- Nunca modifique el sistema eléctrico. Cualquier alteración puede causar un incendio. El uso del tipo incorrecto de baterías o carga puede causar una explosión.

- ANTES DE CADA USO: cargue la batería por LO MENOS 12 horas.
- Apáguelo después de cada uso. La batería no podrá recargarse si la deja prendida sin uso.
- NO lo guarde en lugares de temperaturas frías o debajo de las temperaturas frías! Las temperaturas congelantes dañarán permanentemente la batería.
- Es necesario comprobar periódicamente que el cargador suministrado con el Crazy Cart Shift no presente daños en el cable, el enchufe, la carcasa u otras partes. En caso de daños, no debe cargarse el Crazy Cart Shift hasta que el cargador sea reparado o sustituido.
- Utilice únicamente un cargador recomendado por Razor.
- Tome precauciones al efectuar la carga.
- El cargador no es un juguete. Debe ser operado únicamente por un adulto.
- No opere el cargador cerca de materiales inflamables o de una llama abierta.
- Desenchufe el cargador y desconéctelo del Crazy Cart Shift, cuando no lo utilice.
- No exceda el tiempo de carga.
- Desconecte siempre el Crazy Cart Shift del punto de carga antes de limpiarlo o de pasarle un paño húmedo.

NO APLICAR EL SENTIDO COMÚN Y HACER CASO OMISO DE LAS ADVERTENCIAS ANTERIORES PUEDE AUMENTAR EL RIESGO DE SUFRIR LESIONES GRAVES. UTILIZAR[UTILICE] EL PRODUCTO CON LA DEBIDA PRECAUCIÓN Y PRESTANDO SUMA ATENCIÓN PARA GARANTIZAR UN MANEJO SEGURO.

Garantía Limitada:

Esta garantía limitada es la única garantía para el presente producto. No existe ninguna otra garantía explícita o implícita.

El fabricante garantiza que este producto está libre de defectos de fabricación durante un periodo de 90 días a partir de la fecha de compra.

Esta garantía se anulará si, en algún momento, el producto:

- se utilice con otros fines que no sean recreativos o de transporte;
- se modifique de alguna forma;
- se alquile.



CONTIENE BATERÍAS SELLADAS A PRUEBA DE DERRAMES CON PLOMO-ACIDO. LA BATERÍA DEBE SER RECICLADA.



! WARNUNG: Der Crazy Cart Shift entspricht nicht dem „normalen“ Go-Kart und verlangt deswegen **mehr Können als ein Go-Kart**. Das Crazy Cart Shift ist so konzipiert, dass Bewegungen vorwärts, rückwärts, seitwärts, Ausbrechen und sogar im Kreis rotieren ermöglicht – und **nutzt diese Funktionen zum schnellen Anhalten und Bremsen anstelle einer „herkömmlichen“ Bremse**. Es ist sehr wichtig, **langsam zu beginnen und sich mit den besonderen Lenk- und Bremsfunktionen des Crazy Cart Shift vertraut zu machen**, bevor Sie schnelle Drehungen oder andere schnelle Bewegungen ausprobieren oder die Funktionen des Crazy Cart Shift vollständig nutzen. **Das Fahrzeug sollte im flachen, offenen und freiem Gelände ohne Verkehr benutzt werden.**

! WARNUNG: Das Fahren eines Elektrofahrzeuges ist mit potentiellen Gefahren verbunden. Besondere Umstände können zum Versagen der Ausrüstung ohne Verschulden des Herstellers führen. Wie andere Elektrofahrzeuge kann und soll sich das Crazy Cart Shift bewegen. Daher kann man die Herrschaft über das Fahrzeug verlieren, herausfallen oder in gefährliche Situationen kommen, die sich auch bei größter Sorgfalt, Unterweisung und Kenntnis nicht ganz vermeiden lässt. Daher kann es trotz Sicherheitsausrüstung und anderer Schutzmaßnahmen zu ernsthaften Verletzungen oder zum Tod kommen. **FAHREN AUF EIGENE GEFAHR. VERNUNFT WALTEN LASSEN.**

! WARNUNG: DIE ÜBERWACHUNG DURCH ELTERN ODER ANDERE ERWACHSENE BETREUUNGSPERSONEN IST UNERLÄSSLICH: Diese Anleitung enthält wichtige Informationen zur Sicherheit. Sie sind dafür verantwortlich, diese Information zu lesen und sicherzustellen, dass die Fahrer alle Warnungen, Vorichtshinweise, Anweisungen und Sicherheitsaspekte kennen. Vergewissern Sie sich, dass die jungen Fahrer dieses Produkt sicher und verantwortungsvoll benutzen. Razor empfiehlt zur Sicherheit der Kinder, die Anweisungen regelmäßig zu trainieren, um die Kenntnisse der jungen Fahrer zu verfestigen und die Kinderfahrzeuge zu inspizieren und zu warten.

! WARNUNG: GESCHWINDIGKEITSBEGRENZER HOCH/ NIEDRIG [HIGH/LOW] FÜR ELTERN: Das Crazy Cart Shift verfügt über einen HIGH-LOW-Geschwindigkeitsschalter, der von Eltern eingestellt werden kann, bevor Kinder damit fahren. Mit diesem Schalter können Eltern die Crazy Cart Shift-Geschwindigkeit für Fahranfänger reduzieren.

Das vom Hersteller empfohlene Mindestalter für Fahrer ist 8+ für die Einstellung HIGH Geschwindigkeit und 6+ für die Einstellung LOW. Die Standardeinstellung ist HIGH.

! WARNUNG: NICHT FÜR KINDER UNTER 6 JAHREN ODER SCHWERER ALS 54 KG. Da Produkte wie das Crazy Cart Shift mögliche Gefahrenquellen sind, müssen die ELTERN FAHRZEUGE FÜR KINDER DEM ALTER NACH SORFÄLTIG AUSWÄHLEN ODER DIE KINDER BEAUFSICHTIGEN, WENN UNTERSCHIEDLICH ALTE KINDER DIE GLEICHEN FAHRZEUGE BENUTZEN KÖNNTEN. Kein Produkt ist für Kinder aller Altersstufen und Größen geeignet. Daher gibt es in dieser Produktgruppe unterschiedliche Altersempfehlungen je nach den zu erwartenden geistigen und/oder körperlichen Fähigkeiten eines Kindes beim Umgang mit diesen Gefahren.

Razor empfiehlt, Kindern unter 6 Jahren den Gebrauch des Produkts nicht zu erlauben. Diese Empfehlung bezieht sich nicht nur auf Alter, Gewicht oder Größe – sie berücksichtigt auch die zu anzunehmende Reife, Fahrfähigkeit und Körpergröße. Die empfohlene Altersangabe für Fahrer ab 6 Jahren ist nur ein Anhaltswert, der von Größe, Gewicht oder fahrerischem Können abhängig ist – nicht jedes Kind ab 6 Jahren bringt die erforderlichen Voraussetzungen für dieses Produkt mit. Wenn ein Fahrer auf dem Crazy Cart Shift nicht bequem sitzen kann, sollte er damit nicht fahren. **Die elterliche Zustimmung, das Kind mit diesem Produkt fahren zu lassen, sollte immer auf der Reife, dem fahrerischen Können und der Einsichtsfähigkeit des Kindes gründen. Razor weist ausdrücklich darauf hin, dass Erwachsene die Razor-Empfehlungen beachten müssen und jüngeren Kindern das Fahren mit dem Crazy Cart Shift nicht erlauben dürfen.**

DAS GEWICHT VON 54 KG DARF NICHT ÜBERSCHRITTEN WERDEN. Das Gewicht des Fahrers allein bedeutend nicht, dass eine

Person die geeignete Größe hat oder das Crazy Cart Shift sicher beherrschen kann. Dieses Produkt von Kleinkindern fernhalten und bedenken, dass es nur für den Gebrauch durch Personen bestimmt ist, die das Produkt uneingeschränkt sicher und kompetent bedienen können.

Personen, die sich aufgrund ihres psychischen oder körperlicher Zustands verletzen können oder psychisch oder körperlich unfähig sind, die Sicherheitsmaßnahmen zu erkennen, zu verstehen und zu befolgen und die beim Benutzen des Produkts verbundenen Gefahren zu beherzigen, dürfen das für sie ungeeignete Produkt nicht benutzen oder die Erlaubnis dazu erhalten. Personen mit Herzproblemen, Kopf-, Rücken- oder Nackenschmerzen (oder früheren chirurgischen Eingriffen in diesen Bereichen) und Schwangere sollten vor dem Gebrauch dieses Produkts gewarnt werden.

HINWEIS: Diese Anleitung enthält zahlreiche Warnhinweise auf nachteilige Folgen durch unterlassene Wartungen, Inspektionen und unsachgemäße Gebrauch des Elektrofahrzeugs. Es sollte bekannt sein, dass jeder Unfall ernsthafte Verletzungen oder sogar den Tod zur Folge haben kann, auch wenn wir diese Warnung nicht immer wiederholen, wenn dies möglich ist.

PRÜFEN UND WARTEN

Vergewissern Sie sich vor der Benutzung, dass sämtliche Abdeckungen und Schutzbleche vorhanden und funktionsfähig sind. Prüfen Sie, dass die Teile ordnungsgemäß funktionieren, das Hauptantriebsrad nicht abgenutzt ist und ausgetauscht werden muss. Das Crazy Cart Shift sollte entsprechend nach Herstelleranleitung und nur mit vom Hersteller zugelassenen Ersatzteilen gewartet und repariert werden. Eine Veränderung der Originalausführung und der Ausstattung ist nicht zulässig. Abgenutzte oder beschädigte Teile sind sofort zu ersetzen.

! WARNUNG: DER SICHERE BETRIEB ERFORDERT VIEL AUFMERKSAMKEIT. Dieses Produkt besitzt keine herkömmliche Bremse – Anhalten erfolgt durch Loslassen des Gaspedals und Lenkbewegungen. Lesen Sie den Abschnitt „Fahren des Crazy Cart Shift“ in diesem Handbuch und üben Sie, um das Crazy Cart Shift fahren zu können.

- Die örtlichen Gesetze und Vorschriften müssen beachtet werden, weil sie die Benutzung des Crazy Cart Shift an bestimmten Orten einschränken können. Das Crazy Cart Shift darf nur auf Privatgelände und auf geschlossenen Bahnen benutzt werden, und nicht auf öffentlichen Straßen oder Bürgersteigen. Das Elektrofahrzeug nicht auf Flächen mit Fußgänger- oder mit Fahrzeugverkehr benutzt werden.
- Erst wenn Sie in einer sicheren, zum Fahren geeigneten Umgebung im Fahrzeug sitzen, dürfen Sie den Ein-Aus-Schalter des Crazy Cart Shift in die **ON (EIN)**-Stellung drehen und das Gaspedal treten. Drehen Sie den Ein-Aus-Schalter immer in die **OFF (AUS)**-Stellung, bevor Sie das Crazy Cart Shift verlassen.
- Berühren Sie weder Motor, Kette, Lenkung, Räder noch andere bewegte Teile mit dem Finger oder anderen Körperteilen.
- Das Lenkrad immer sicher fassen. Berühren Sie bei laufendem Motor oder unmittelbar nach dem Fahren nicht den Nabenmotor Ihres Crazy Cart Shift, da dieser sehr heiß werden kann.
- Defensiv fahren. Achten Sie auf mögliche Hindernisse, die sich im Rad verfangen, ein plötzliches Ausweichen erfordern oder zum Verlust der Herrschaft über das Fahrzeug führen können. Vorsichtig sein. Fußgängern, Skatern, Skateboardern, Fahrrädern, Kindern und Tieren ausweichen, denen Sie begegnen, und die Rechte und das Eigentum Anderer respektieren.

DE



- Obwohl das Produkt auf optimale Leistung und Haltbarkeit ausgelegt wurde, können Fehler auftreten. Fahren gegen Hindernisse und andere aggressive Fahrweisen können alle Produkte, auch das Crazy Cart Shift, überbeanspruchen. Der Fahrer ist für alle durch Überlastung verursachten Risiken verantwortlich. Das Fahrzeug ist kein „Autoscooter“.
- Niemals Passagiere mitnehmen oder mehrere Personen gleichzeitig auf dem Elektrofahrzeug fahren lassen.
- Beim Fahren keine Kopfhörer oder Handys benutzen. Niemals sich von einem anderen Fahrzeug ziehen lassen.
- Das Crazy Cart Shift nicht bei Nässe oder Eis fahren und das Elektrofahrzeug nie in Wasser tauchen, das die Elektro- und Antriebsteile durch Wasser beschädigen oder andere Gefahren verursachen kann.
- Nasse, rutschige, holprige, unebene und raue Oberflächen können das Risiko erhöhen. Mit dem Elektrofahrzeug nicht in Matsch, Eis, Pfützen oder Wasser hineinfahren. Übermäßige Geschwindigkeit wie bei Abfahrtsrennen vermeiden. Keine Oberflächen wie Teppiche und Fußbodenbeläge in Innenräumen durch Befahren mit Elektrofahrzeugen beschädigen.
- Die Umgebung von Treppenstufen oder Schwimmbecken meiden.
- Nicht nachts oder bei eingeschränkter Sicht fahren.
- In TV-Sendungen oder in Videos sind Leute zu sehen, die Kunststücke oder Tricks mit dem Crazy Cart Shift vorführen. Diese haben lange geübt und sind sich der Risiken beim Vorführen von Kunststücken bewusst. Nicht davon ausgehen, die gleichen Tricks ohne erhöhtes Risiko nachahmen zu können.
- Vorsichtig sein und die eigenen Grenzen kennen. Das Verletzungsrisiko steigt mit dem Schwierigkeitsgrad beim Fahren. Der Fahrer ist für alle Risiken verantwortlich, die aus aggressivem Fahrverhalten folgen.

Geeignete Bekleidung beim Fahren

Immer geeignete Sicherheitsausrüstung tragen, z.B. einen zugelassenen Schutzhelm (mit festgezogenem Kinnriemen). Je nach örtlich geltendem Recht oder Vorschriften kann ein Helm erforderlich sein. Ellbogen- und Knieschützer, langärmeliges Hemd, lange Hosen und Handschuhe werden empfohlen. Immer Sportschuhe tragen (Schnürschuhe mit Gummisohle), niemals Barfuß oder in Sandalen fahren. Schnürsenkel zubinden und fern von Rädern, Motor und Antriebssystem halten.

Funktion des Ladegeräts

- Die elektrische Anlage nie modifizieren! Änderungen können zu Bränden führen. Bei Verwendung eines falschen Batterietyps besteht Explosionsgefahr.

- VOR JEDEM GEBRAUCH: die Batterie MINDESTENS 12 Stunden lang aufladen.
- Nach dem Fahren stets abschalten. Wenn die Batterie ohne Benutzung angelassen wird, kann sie eventuell nicht wieder geladen werden.
- NICHT bei Temperaturen unter dem Gefrierpunkt lagern! Dadurch wird die Batterie zerstört.
- Das dem Crazy Cart Shift beiliegende Ladegerät regelmäßig auf beschädigte Kabel, Stecker, Gehäuse und andere Teile prüfen. Bei Beschädigung darf das Crazy Cart Shift bis zur Reparatur oder Austausch des Ladegeräts nicht geladen werden.
- Nur ein von Razor empfohlenes Ladegerät verwenden.
- Beim Laden vorsichtig sein.
- Das Ladegerät ist kein Spielzeug. Ladegerät nur von Erwachsenen benutzen.
- Ladegerät nicht in der Nähe brennbarer Materialien oder offenem Feuer betreiben.
- Ladegerät vom Netz trennen und Ladekabel am Crazy Cart Shift abziehen, wenn das Ladegerät nicht verwendet wird.
- Ladezeit nicht überschreiten.
- Bevor der Crazy Cart Shift abgewischt oder mit feuchtem Tuch gereinigt wird, muss das Ladegerät entfernt werden.

FEHLENDE RÜCKSICHTNAHME UND NICHTBEACHTEN DER WARNUNGEN ERHÖHEN DAS VERLETZUNGSRISIKO. SICHERHEITSBEWUSST UND BESONDERERS VORSICHTIG BENUTZEN.

Begrenzte Gewährleistung:

Diese begrenzte Gewährleistung ist die einzige Gewährleistung für das Produkt. Es gibt keine weitere ausdrückliche oder stillschweigende Gewährleistung.

Der Hersteller gewährleistet die Fehlerfreiheit von Fertigungsmängeln für 90 Tage ab Kaufdatum.

- Diese begrenzte Gewährleistung wird ungültig, wenn das Produkt:
- anders als für Freizeitbeschäftigung oder Transport genutzt wird;
 - irgendwie verändert wird;
 - bei Verleih.



ENTHÄLT EINEN VERSIEGELTEN, AUSLAUF-SICHEREN BLEIAKKU. DER AKKU MUSS RECYCLT WERDEN.

AVVERTENZE: Il Crazy Cart Shift non è un "normale" go-kart pertanto **richiede abilità superiori alla guida rispetto a un normale go-kart**. Il Crazy Cart Shift è progettato per consentire il movimento in avanti, indietro, lateralmente, in sovrasterzo e perfino di girare su se stesso e **invece del freno "tradizionale" utilizza queste funzioni per consentire l'arresto rapido e la frenata**. È di fondamentale importanza **iniziare a poco a poco e dedicare del tempo ad abituarsi e a familiarizzare** con il dispositivo di comando direzionale del Crazy Cart Shift e con le possibilità di frenata, prima di eseguire sterzate rapide e movimenti veloci o altrimenti cercare di usare appieno le capacità del Crazy Cart Shift. **Il prodotto deve essere utilizzato in spazi aperti in piano, lontani da traffico o altri ostacoli.**

AVVERTENZE: L'utilizzo di un veicolo elettrico può essere un'attività pericolosa. Alcune condizioni possono provocare guasti al veicolo senza che il produttore ne sia responsabile. Come ogni altro veicolo elettrico, il Crazy Cart Shift può e deve essere destinato al movimento ed è, quindi, possibile perdere il controllo, cadere e/o trovarsi in situazioni pericolose che nessun tipo di attenzione, istruzioni o esperienza possono evitare. Se ciò si verifica, è possibile ferirsi seriamente o morire anche utilizzando un equipaggiamento di sicurezza o prendendo altre precauzioni. **GUIDARE A PROPRIO RISCHIO E PERICOLO E USANDO IL BUONSENNO.**

AVVERTENZE: LA SUPERVISIONE E LA RESPONSABILITÀ DEI GENITORI E DEGLI ADULTI SONO NECESSARIE: Il presente manuale contiene importanti informazioni sulla sicurezza. È responsabilità dei genitori leggere queste informazioni e assicurarsi che chi guida il prodotto sia consapevole di tutte le avvertenze, precauzioni, istruzioni e argomenti riguardanti la sicurezza. Assicurarsi anche che il conducente del prodotto sia capace di utilizzare questo veicolo in modo sicuro e responsabile. Razon consiglia di leggere e approfondire le informazioni presenti in questo manuale insieme ai bambini che guidano il veicolo e di controllare ed eseguire la manutenzione del prodotto per garantire la sicurezza dei bambini.

AVVERTENZE: INTERRUOTTORE DI VELOCITÀ ALTA-BASSA CONTROLLATA DAI GENITORI: Il Crazy Cart Shift ha un interruttore di velocità ALTA-BASSA che può essere impostato manualmente da un adulto prima che i bambini si mettano alla guida. Questo interruttore consente ai genitori di ridurre la velocità del Crazy Cart Shift dei conducenti alle prime armi.

L'età minima consigliata dal produttore è di 8+ per l'impostazione della velocità ALTA e di 6+ per l'impostazione della velocità BASSA. L'impostazione predefinita è ALTA.

AVVERTENZE: NON ADATTO AI BAMBINI DI ETÀ INFERIORE A 6 ANNI O CHE PESANO PIÙ DI 54 KG. Poiché i prodotti, come il Crazy Cart Shift, possono presentare pericoli potenziali legati al loro utilizzo, I GENITORI HANNO LA RESPONSABILITÀ DI SCEGLIERE IL PRODOTTO ADATTO ALL'ETÀ DEL BAMBINO O È RICHIESTA LA LORO SUPERVISIONE IN SITUAZIONI IN CUI I BAMBINI DI DIVERSE ETÀ POSSONO ACCEDERE AL PRODOTTO STESSO. Non tutti i prodotti sono adatti alle varie età o al diverso peso dei bambini. In questa categoria di prodotti sono indicate le avvertenze per le diverse età allo scopo di riflettere al meglio la natura dei pericoli e l'abilità auspicabile mentale o fisica, o entrambe, di un conducente di affrontare i pericoli.

Razon consiglia che ai bambini di età inferiore a 6 anni sia impedito di usare questo prodotto. Questo consiglio non si basa solo sull'età o sul peso ma riflette anche le valutazioni sulla maturità, l'abilità e la corpatura. L'età minima consigliata di 6 anni è solo indicativa e può essere condizionata dalle dimensioni, dal peso e dall'abilità del conducente - non tutti i bambini di 6 anni possono guidare questo veicolo. Ovviamente, qualsiasi conducente che non si senta a proprio agio sul Crazy Cart Shift non deve cercare di guidarlo, ma il **consenso dei genitori all'impiego di questo prodotto da parte dei bambini deve basarsi sulla valutazione della loro maturità, abilità e capacità nel seguire le regole. Razon pone l'accento sul fatto che gli adulti non devono in alcun caso trascurare i consigli di Razon o consentire ai bambini più piccoli di guidare il Crazy Cart Shift.**

NON SUPERARE IL PESO MASSIMO DI 54 kg. Il peso del conducente da solo non è indicativo del fatto che la sua statura sia adatta a guidare e mantenere il controllo del Crazy Cart Shift. Tenere questo prodotto lontano dalla portata dei bambini piccoli e ricordare che l'uso del veicolo è riservato esclusivamente a persone che abbiano, come requisito minimo, familiarità con il veicolo e siano in grado di utilizzarlo con competenza.

Persone che soffrono di problemi fisici o mentali, che potrebbero incorrere in lesioni personali o pregiudicare la propria abilità fisica o capacità mentale di riconoscere, comprendere e seguire le istruzioni di sicurezza con i rischi potenziali inerenti all'uso del prodotto, non devono usare, o deve essere loro impedito di usare prodotti inadatti per le loro capacità. Persone affette da problemi cardiaci, disturbi a testa, schiena o collo (o che sono state sottoposte a interventi chirurgici in queste zone del corpo in passato), o donne in gravidanza, devono essere avvertite di non usare questo prodotto.

AVVERTENZE: Il presente manuale contiene avvertenze e precauzioni che riguardano le conseguenze risultanti dal mancato rispetto delle istruzioni per la manutenzione, il controllo e il corretto utilizzo del veicolo elettrico. Poiché qualsiasi incidente potrebbe causare lesioni personali e portare anche alla morte, non saranno ripetute le avvertenze relative al rischio di gravi lesioni o morte ogni volta che si fa accenno a tale eventualità.

CONTROLLO E MANUTENZIONE

Prima dell'uso, assicurarsi che tutte le coperture e le protezioni siano a posto ed efficienti. Controllare che i pezzi funzionino correttamente, che la ruota motrice non sia usurata e sia necessario sostituirla. Il Crazy Cart Shift deve essere mantenuto e riparato seguendo le istruzioni del produttore, utilizzando solo pezzi di ricambio autorizzati dal produttore e non modificando il modello e la struttura originale del produttore. Sostituire immediatamente le parti usurate o danneggiate.

AVVERTENZE: UN AZIONAMENTO SICURO NECESSITA DI MOLTA ATTENZIONE. Questo prodotto non ha un freno tradizionale, si frena usando il pedale dell'acceleratore e la sterzata. Leggere la sezione "Come azionare" di questo Manuale ed esercitarsi per sviluppare le proprie abilità nella guida del Crazy Cart Shift.

- **Controllare e rispettare sempre le leggi e le normative locali che potrebbero interessare i luoghi in cui il Crazy Cart Shift può essere utilizzato.** Il Crazy Cart Shift è destinato a essere utilizzato su proprietà private o circuiti chiusi e non su strade pubbliche o marciapiedi. Non guidare il veicolo elettrico in zone dove sono presenti pedoni o c'è traffico di veicoli.
- Non posizionare l'interruttore del Crazy Cart Shift su **ON** o usare/attivare il pedale dell'acceleratore finché il conducente non è seduto e non si trova in un ambiente all'esterno adatto alla guida. Posizionare sempre il pulsante dell'accensione su **OFF** prima di uscire dal Crazy Cart Shift.
- Tenere le dita e le altre parti del corpo lontane da motore, sistema sterzante, ruote e da tutti gli altri componenti in movimento.
- Tenere sempre strette le mani sul volante. Non toccare il supporto del motore sul Crazy Cart Shift quando è in funzione o subito dopo una corsa perché la sua temperatura potrebbe essere troppo elevata.
- Guidare con prudenza. Fare attenzione agli ostacoli potenziali che potrebbero impigliarsi nella/e ruota/e o obbligare a sterzare improvvisamente o a perdere il controllo. Fare attenzione a evitare pedoni, pattinatori, monopattini, motorini, biciclette, bambini o animali che potrebbero trovarsi sul percorso e rispettare i diritti e



- le proprietà altrui.
- Questo prodotto è stato progettato per fornire alte prestazioni e durare nel tempo, ma può essere soggetto a danni. I salti o una guida spericolata possono creare un eccessivo sforzo e danneggiare qualsiasi prodotto, incluso il Crazy Cart Shift e il conducente si assume tutti i rischi associati alla pratica di attività che provocano un'eccessiva sollecitazione. Questo prodotto non è un "autoscontro".
- Non trasportare mai passeggeri o permettere che più di una persona alla volta guidi il veicolo elettrico.
- Non utilizzare cuffie o telefoni cellulari alla guida. Non gareggiare con altri veicoli.
- Non guidare il Crazy Cart Shift quando piove o la temperatura esterna è gelida e non immergere mai questo veicolo elettrico in acqua, poiché i componenti elettrici e di guida potrebbero essere danneggiati dall'acqua o generare altre condizioni pericolose.
- Le superfici scivolose, accidentate, irregolari o ruvide possono aumentare i rischi. Non guidare questo veicolo elettrico su fango, ghiaccio, pozzanghere o acqua. Evitare la velocità eccessiva che può essere associata alle corse in discesa. Evitare di danneggiare superfici come tappeti o pavimenti utilizzando un veicolo elettrico in ambienti al chiuso.
- Non utilizzare in prossimità di gradini o piscine.
- Non utilizzare di notte o quando la visibilità è limitata.
- Vedrete sicuramente video o persone in televisione fare acrobazie e cose spericolate sul Crazy Cart Shift. Queste persone fanno pratica da molto tempo e accettano i rischi legati a una guida pericolosa. Non pensare di fare le stesse acrobazie senza incorrere in gravi rischi.
- Fare attenzione e riconoscere i propri limiti. Il rischio di infortuni è maggiore se si guida in modo spericolato. Il conducente si assume tutti i rischi associati a una guida aggressiva.

Abbigliamento adeguato

Indossare sempre l'equipaggiamento protettivo, come un casco di sicurezza omologato (con il sottogola debitamente allacciato). L'utilizzo del casco può essere richiesto da leggi o regolamenti locali della zona interessata. Si raccomanda l'uso di gomitiere e ginocchiere, di indossare una maglietta a maniche lunghe, pantaloni lunghi e guanti. Indossare sempre le scarpe di ginnastica (scarpe allacciate con suole in gomma), non guidare mai a piedi nudi o con i sandali e tenere i lacci delle scarpe sempre legati e lontani dalle ruote, dal motore e dal sistema di trasmissione.

Utilizzo del caricabatteria

- Non modificare il sistema elettrico. Le modifiche potrebbero causare incendi. L'utilizzo di una batteria o di un caricabatteria non adatto potrebbe provocare un'esplosione.

- PRIMA DI OGNI UTILIZZO: caricare la batteria per ALMENO 12 ore prima di ogni utilizzo.
- Spegnere dopo ogni corsa. La batteria potrebbe non caricarsi se non utilizzata.
- NON conservare a temperature uguali o sotto lo zero. Temperature uguali o sotto lo zero danneggiano irrimediabilmente la batteria.
- Il caricabatteria in dotazione con il Crazy Cart Shift deve essere controllato periodicamente per rilevare eventuali danni a cavo, spina, involucro e altre parti. In caso di danno, il Crazy Cart Shift non deve essere caricato fino ad avvenuta riparazione o sostituzione del caricabatteria.
- Utilizzare solo il caricabatteria consigliato da Razor.
- Fare attenzione durante la carica.
- Il caricabatteria non è un giocattolo. Il caricabatteria deve essere utilizzato solo da un adulto.
- Non utilizzare il caricabatteria in prossimità di materiali infiammabili o di fiamme libere.
- Rimuovere il caricabatteria e scollegarlo dal Crazy Cart Shift quando non viene utilizzato.
- Non superare il tempo di ricarica richiesto.
- Disconnettere sempre il Crazy Cart Shift dal caricabatteria prima di effettuare le operazioni di pulizia con un panno umido.

LA MANCANZA DI BUON SENSO E L'INOSSERVANZA DEGLI AVVERTIMENTI DI CUI SOPRA AUMENTANO IL RISCHIO DI INCORRERE IN LESIONI PERSONALI. USARE CON LA DOVUTA PRUDENZA E CON SERIA ATTENZIONE PER GARANTIRE LA SICUREZZA.

Garanzia Limitata:

Questa Garanzia Limitata è l'unica garanzia per questo prodotto. Non esiste nessun'altra garanzia esplicita o implicita. Il produttore garantisce che questo prodotto è privo di difetti di produzione per un periodo di 90 giorni dalla data di acquisto. Diese begrenzte Gewährleistung wird ungültig, wenn das Produkt:

- utilizzato per scopi diversi dal divertimento o dal trasporto;
- modificato in qualsiasi sua parte;
- prestato.



CONTIENE BATTERIA AL PIOMBO-ACIDO ERMETICA. LA BATTERIA DEVE ESSERE RICICLATA.

WAARSCHUWING: De Crazy Cart Shift is geen 'gewone' kart en vereist daarom meer rijvaardigheden dan een gewone kart. De Crazy Cart Shift is ontworpen om vooruit, achteruit en zijwaarts te bewegen, te driften en zelfs rondjes te draaien. En in plaats van een 'gewone' rem gebruikt de kart functies waarmee u razendsnel kunt stoppen en remmen. Het is uiterst belangrijk om langzaam te beginnen en eerst te wennen aan de unieke richtingscontrole en remfuncties. Pas als u de kart helemaal kent, kunt u scherpe bochten nemen, de kart op hoge snelheid besturen of de functies van de Crazy Cart Shift op een andere manier volop benutten. **Gebruik dit product in een open ruimte met een gelijkmatig oppervlak en zonder verkeer en andere belemmeringen.**

WAARSCHUWING: Het besturen van elektrisch aangedreven producten kan gevaarlijk zijn. De apparatuur kan in bepaalde omstandigheden storingen vertonen zonder dat deze aan de fabrikant zijn toe te wijzen. Net als andere elektrisch aangedreven voertuigen kan de Crazy Cart Shift bewegen (daar is de kart natuurlijk voor bedoeld). Maar u kunt daardoor de macht over het stuur verliezen, van de kart vallen en / of in gevaarlijke situaties belanden die met geen voorzorgsmaatregelen, instructies of ervaringen zijn te vermijden. U kunt in dergelijke gevallen ernstig gewond raken en overlijden, zelfs wanneer u beschermingsmiddelen draagt en andere voorzorgsmaatregelen hebt getroffen. **BESTUUR DEZE KART VOOR EIGEN RISICO EN GEBRUIK UW GEZOND VERSTAND.**

WAARSCHUWING: HET IS NOODZAKELIJK DAT OUDERS OF ANDERE VOLWASSENEN HUN VERANTWOORDELIJKHEID NEMEN EN TOEZICHT HOUDEN: In deze handleiding staat belangrijke veiligheidsinformatie. U bent verantwoordelijk voor het doornemen van deze informatie en voor de zorg dat alle bestuurders alle waarschuwingen, redenen tot voorzichtigheid, instructies en veiligheidskwesties begrijpen en dat jonge bestuurders dit product op een veilige en verantwoordelijke manier gebruiken. Razor raadt u aan om de informatie in deze handleiding met regelmaat tussenpozen met jongere bestuurders door te nemen en om de instructies opnieuw bij hen onder de aandacht te brengen. Daarnaast raden we u aan om het product van uw kinderen regelmatig te controleren en te onderhouden om hun veiligheid te garanderen.

WAARSCHUWING: SCHAKELAAR VOOR HOGE / LAGE SNELHEID ONDER OUDERLIJK TOEZICHT: De Crazy Cart Shift heeft een schakelaar voor HOGE / LAGE snelheid. De toezichthoudende volwassene kan deze schakelaar instellen voordat het kind de Cart gaat besturen. Met behulp van deze schakelaar kunnen ouders voor nieuwe rijders de snelheid van de Crazy Cart Shift verlagen.

De fabrikant adviseert voor de instelling HOGE snelheid een minimumleeftijd van 8 jaar en voor de instelling LAGE snelheid een minimumleeftijd van 6 jaar. Standaard instelling is HOGE snelheid.

WAARSCHUWING: DIT PRODUCT IS NIET BEDOELD VOOR KINDEREN ONDER DE LEEFTIJD VAN 6 JAAR EN DIE MEER DAN 54 KG WEGEN. Omdat het duidelijk is dat gebruik van producten zoals de Crazy Cart Shift mogelijke gevaren vertegenwoordigt, geldt algemeen DAT OUDERS HUN VERANTWOORDELIJKHEID MOETEN NEMEN OM EEN VOERTUIG OM OP TE RIJDEN UIT TE KIEZEN DAT OVEREENSTEMT MET DE LEEFTIJD VAN HET KIND OF DAT OUDERLIJK TOEZICHT BELANGRIJK IS IN SITUATIES WAARIN KINDEREN VAN DIVERSE LEEFTIJDEN GEBRUIK KUNNEN MAKEN VAN DEZELFDE VOERTUIGEN OM OP TE RIJDEN. Niet elk product is geschikt voor kinderen van alle leeftijden en grootte. Bij dit soort producten kunnen de aanbevelingen per leeftijd verschillen. Bij deze aanbevelingen is geprobeerd rekening te houden met de aard van de gevaren en de mate waarin een bestuurder naar verwachting geestelijk en/of lichamelijk in staat is om met deze gevaren om te gaan.

Razor raadt aan om kinderen onder de leeftijd van 6 jaar dit product niet te laten gebruiken. Deze aanbeveling is niet alleen maar gebaseerd op leeftijd, gewicht of lengte: er is rekening gehouden met zowel de lichamelijke afmetingen als met het waarschijnlijke ontwikkelingsniveau. De voor de bestuurder aanbevolen leeftijd van 6 jaar of ouder is slechts een richtwaarde en kan afhangen van de grootte, het gewicht of de vaardigheid van de bestuurder: niet

ieder kind van 6 jaar zal geschikt zijn voor het product. Bestuurders die op geen enkele manier goed op de Crazy Cart Shift passen, moeten zeker niet proberen het product te besturen. **De beslissing van een ouder om zijn / haar kind dit product te laten besturen, moet gebaseerd zijn op het ontwikkelingsniveau van het kind, zijn vaardigheid en het vermogen om regels op te volgen. Razor wil volwassenen nadrukkelijk en ten sterkste opdraden om de aanbevelingen van Razor te veronachtzamen of om jongere kinderen toe te staan de Crazy Cart Shift te besturen.**

DE GEWICHTSLIMIET VAN 54 KG MAG NIET WORDEN OVERSCHREDEN. Als het gewicht van een kind toereikend is, wil dat nog niet zeggen dat de grootte van het kind zodanig is dat het op de Crazy Cart Shift past of die onder controle kan houden. Zorg ervoor dat kleine kinderen niet bij dit product kunnen komen. Het product mag alleen mag worden gebruikt door personen die zich in ieder geval volledig op hun gemak voelen en aan de vereiste vaardigheden voldoen tijdens het gebruik van het product.

Personen met een geestelijke of lichamelijke aandoening waardoor ze mogelijk een grotere kans lopen op letsel of waarbij er sprake is van een geringere lichamelijke behendigheid of een geringer geestelijk vermogen om veiligheidsinstructies tot zich door te laten dringen, te begrijpen en op te volgen en de gevaren die inherent zijn aan het gebruik van dit product in te zien, mogen geen gebruik maken van producten of toestemming te krijgen voor het gebruik van producten die niet overeenstemmen met hun vermogens. Personen met een hartaandoening of een hoofd-, rug- of nekaandoening (of bij wie eerder een operatieve ingreep is verricht in deze zones) en zwangere vrouwen moet worden afgeraden om dit product te gebruiken.

KENNISGEVING: Deze handleiding bevat veel waarschuwingen en aandachtspunten met betrekking tot de consequenties van het niet onderhouden, inspecteren of op de juiste wijze gebruiken van uw elektrisch aangedreven product. Elk incident kan leiden tot ernstig letsel en zelfs tot de dood. We herhalen de waarschuwingen voor mogelijk ernstig letsel en de dood daarom niet elke keer wanneer we ernaar verwijzen.

CONTROLE EN ONDERHOUD

Controleer vóór u de Crazy Cart Shift gebruikt dat alle afdekkingen en beschermende platen op hun plek zitten en in goede staat zijn. Controleer of de onderdelen goed functioneren, en of het hoofdaandrijf wiel voldoende profiel heeft en niet hoeft te worden vervangen. De Crazy Cart Shift dient te worden onderhouden en gerepareerd overeenkomstig de specificaties van de producent. Gebruik alleen door de fabrikant goedgekeurde vervangende onderdelen en pas het oorspronkelijke ontwerp en de oorspronkelijke configuratie niet aan. Vervang versleten of defecte onderdelen direct.

WAARSCHUWING: VEILIGE BESTURING VRAAGT OM ZORGVULDIGE AANDACHT. Dit product heeft geen gewone rem. Om het voertuig te remmen, dient de bestuurder het pedaal en het stuur te gebruiken. Lees het hoofdstuk 'Gebruiksaanwijzing' van deze handleiding en oefen het besturen van de Crazy Cart Shift om de juiste vaardigheden te ontwikkelen.

- **Controleer en volg altijd de lokale wetten en regels met betrekking tot de plaatsen waar de Crazy Cart Shift mag worden gebruikt.** De Crazy Cart Shift is bedoeld voor gebruik op particulier terrein of op gesloten parcoursen en niet voor gebruik op de openbare weg of op trottoirs. Bestuur het elektrische

product niet op plaatsen waar voetgangers of voertuigen aanwezig zijn.

- Zet de Crazy Cart Shift niet op **ON (AAN)** en bedien het pedaal niet tot u in een veilige buitenomgeving bent die geschikt is voor dit voertuig. Zet de schakelaar altijd op **OFF (UIT)** voordat u uit de Crazy Cart Shift stapt.
- Houd vingers en andere lichaamsdelen uit de buurt van de motor, stuurinrichting, wielen en alle andere bewegende onderdelen.
- Houd het stuur altijd vast. Raak de naafmotor van uw Crazy Cart Shift niet aan tijdens of direct na gebruik; deze onderdelen kunnen zeer heet worden.
- Rijd defensief. Let goed op mogelijke obstakels waar het wiel achter kan blijven hangen of waardoor u plotseling moet uitwijken of de controle kunt verliezen. Let goed op en vermijd voetgangers, skaters, skateboarders, scooters, fietsen, kinderen of dieren die op uw pad komen. Respecteer de rechten en eigendommen van anderen.
- Dit product werd geproduceerd om te presteren en om te kunnen worden gebruikt. Het product kan echter wel beschadigd worden. Elk product, dus ook de Crazy Cart Shift, kan beschadigd raken wanneer u op obstakels botst, of op een andere manier agressief rijdt. De bestuurder aanvaardt daarom alle risico's die bij activiteiten met veel stress horen. Dit product is geen botsauto.
- Vervoer nooit passagiers en vermijd dat er meer dan één persoon op het elektrisch aangedreven product zit.
- Gebruik nooit een oortelefoon of een mobieltje tijdens het rijden. Laat u nooit voorttrekken door een ander voertuig.
- Bestuur de Crazy Cart Shift niet in natte of vriezende weersomstandigheden, en dompel dit elektrisch aangedreven product nooit onder in water. De elektrische componenten en de aandrijvingsonderdelen kunnen door water worden beschadigd en er kunnen andere, mogelijk gevaarlijke, omstandigheden ontstaan.
- Natte, hobbelige, ongelijkmatige en ruwe oppervlakken kunnen extra risico's met zich meebrengen. Bestuur dit elektrisch aangedreven product niet in modder, op ijs, door plassen of in water. Denk aan uw snelheid wanneer u van een heuvel naar beneden rijdt. Gebruik het elektrisch aangedreven product nooit binnenshuis; hierdoor kan de vloerbedekking worden beschadigd.
- Gebruik het product nooit vlakbij een trap of zwembad.
- Rijd niet 's nachts of bij slecht zicht.
- Wellicht ziet u op tv of in filmpjes mensen stunts en trucjes doen met hun Crazy Cart Shift. Deze mensen hebben al veel ervaring en weten wat de risico's van deze trucs zijn. Denk niet dat u trucs kunt doen zonder grote risico's te lopen.
- Wees voorzichtig en ken uw grenzen. Het risico op letsel neemt toe naarmate de moeilijkheidsgraad toeneemt. De bestuurder is verantwoordelijk voor de risico's die horen bij trucs.

Juiste kleding

Draag altijd geschikte beschermers, zoals een goedgekeurde veiligheidshelm (met een kinband met vergrendeling). Het is mogelijk dat je wettelijk verplicht bent een veiligheidshelm te dragen. Verder raden we elleboog- en kniebeschermers, een shirt met lange mouwen, een lange broek en handschoenen aan. Draag altijd sportschoenen (met veters en rubberzolen), rijd nooit blootsvoets of met sandalen en knoop uw veters goed vast, zodat ze niet verstrikt kunnen raken in de wielen, de motor of het aandrijfsysteem.

De oplader gebruiken

- Het elektrisch systeem mag niet worden aangepast. Wijzigingen kunnen brand veroorzaken. Het verkeerde type batterij of oplader kan een explosie veroorzaken.
- **VOOR ELK GEBRUIK:** laad de accu MINIMAAL 12 uur op.
- Na ieder gebruik uitzetten. Als u dat niet doet, kan de accu mogelijk niet worden opgeladen.
- **NIEET** bewaren op plekken waar het heel koud is of vriest! De accu kan dan namelijk blijvend beschadigd raken.
- Controleer de oplader die bij de Crazy Cart Shift wordt geleverd regelmatig op beschadigingen aan het snoer, de stekker, de behuizing en andere onderdelen. Mocht er sprake zijn van dergelijke beschadigingen, dan mag de Crazy Cart Shift pas worden opgeladen nadat de oplader is gerepareerd of vervangen.
- Gebruik uitsluitend een oplader die door Razor wordt aanbevolen.
- Wees voorzichtig tijdens het opladen.
- De oplader is geen speelgoed. De oplader mag alleen door volwassenen worden gebruikt.
- Gebruik de oplader nooit in de buurt van brandbare materialen of open vuur.
- Haal de stekker van de oplader uit het stopcontact en koppel de oplader los van de Crazy Cart Shift wanneer u de oplader niet gebruikt.
- Overschrijd de voorgeschreven oplaadtijd niet.
- Koppel de oplader altijd los van de Crazy Cart Shift alvorens die af te wegen of met een vochtige doek schoon te maken.

ALS U NIET GOED NADENKT BIJ WAT U DOET EN DE BOVENSTAANDE WAARSCHUWINGEN NIET OPVOLGT, WORDT DE KANS OP ERNSTIG LETSEL ALLEEN MAAR GROTER. LET DAAROM GOED OP EN GEBRUIK DIT PRODUCT VEILIG.

Beperkte garantie:

Deze beperkte garantie is de enige garantie voor dit product. Er is geen andere expliciete of impliciete garantie. De fabrikant geeft vanaf de datum van aankoop 90 dagen garantie op eventuele productiefouten.

De geldigheid van deze beperkte garantie vervalt als het product:

- voor iets anders wordt gebruikt dan recreatie of vervoer;
- op enige manier wordt gewijzigd;
- wordt verhuurd.



BEVAT EEN AFGESLOTEN, LEKVRIJE ACCU OP BASIS VAN LOODZWAVELZUUR. BATTERI MOETEN WORDEN GERECYCLED.

PT

AVISO: o Crazy Cart Shift não é o mesmo que um kart “normal” e por isso **pode ser necessário maiores habilidades para andar do que um kart normal**. O Crazy Cart Shift foi concebido para permitir o movimento para a frente, para trás, lateralmente, a derrapar em arco e mesmo girar em círculos e - **em vez de um travão “convencional”, utiliza estas características para permitir também uma paragem e travagem muito rápidas**. É extremamente importante começar devagar e passar algum tempo a familiarizar-se e a colocar-se confortavelmente com o controlo direccional único e as capacidades de travagem do Crazy Cart Shift, antes de tentar curvas rápidas ou outras acções de movimento rápido ou, de outra forma, tentar fazer utilização de todas as capacidades do Crazy Cart Shift. **Utilizar este produto requer um espaço plano aberto, livre de trânsito ou outros obstáculos.**

AVISO: Andar em qualquer produto eléctrico pode ser uma actividade perigosa. Algumas condições podem provocar a avaria no equipamento sem quaisquer falhas por parte do fabricante. Como outros produtos sobre rodas eléctricos, o Crazy Cart Shift pode e foi concebido para se mover e é, por isso, possível perder o controlo, cair e/ou envolver-se em situações perigosas que nenhum cuidado, instrução ou experiência pode eliminar. Se tais eventualidades ocorrerem, o utilizador pode ficar gravemente ferido ou morrer, mesmo utilizando equipamento de protecção e outras precauções. **ANDE POR SUA CONTA E RISCO E TENHA BOM SENSO.**

AVISO: É NECESSÁRIA A RESPONSABILIDADE E A SUPERVISÃO DOS PAIS E ADULTOS: Este manual contém informações de segurança importantes. É sua responsabilidade analisar estas informações e certificar-se de que todos os utilizadores compreendem todos avisos, precauções, instruções, tópicos de segurança e assegurar-se de que os utilizadores mais jovens têm capacidade para utilizar este produto em segurança e de forma responsável. A Razor recomenda que periodicamente analise e reforce as informações contidas neste manual junto dos utilizadores mais jovens e que proceda à inspecção e manutenção do produto dos seus filhos de modo a garantir a sua segurança.

AVISO: BOTÃO DE ALTA/BAIXA (HIGH/LOW) VELOCIDADE CONTROLADA PELOS PAIS: o Crazy Cart Shift tem um botão de ALTA-BAIXA velocidade que pode ser manualmente ajustada por um adulto antes das crianças o usarem. Este botão permite que os pais reduzam a velocidade do Crazy Cart Shift para principiantes.

A idade mínima sugerida pelo fabricante é mais de 8 anos no ajuste de velocidade ALTA e mais de 6 anos no ajuste de velocidade BAIXA. A predefinição é ALTA.

AVISO: NÃO ADEQUADO PARA CRIANÇAS COM MENOS DE 6 ANOS OU COM MAIS DE 54 KG. Uma vez que os produtos como o Crazy Cart Shift representam claramente perigos potenciais associados à sua utilização, é reconhecida A IMPORTÂNCIA E A NECESSIDADE DA RESPONSABILIDADE DOS PAIS NA SELECÇÃO DOS PRODUTOS MÓVEIS APROPRIADOS PARA A IDADE DE UMA CRIANÇA OU A SUPERVISÃO DOS PAIS EM SITUAÇÕES EM QUE CRIANÇAS DE DIFERENTES IDADES POSSAM TER ACESSO AOS MESMOS PRODUTOS. Nem todos os produtos são apropriados para todas as idades e tamanhos das crianças, sendo que nesta categoria de produto existem recomendações para diferentes idades que se destinam a dar a conhecer a natureza dos perigos e as capacidades mentais e físicas, ou ambas, esperadas de uma criança para lidar com os perigos.

A Razor recomenda que as crianças com menos de 6 anos não sejam autorizadas a utilizar este produto. Esta recomendação não é apenas baseada na idade, peso ou altura – tem em consideração a maturidade, habilidades esperadas bem como o tamanho. A idade de 6 anos ou superior é a idade recomendada para o utilizador e é apenas uma estimativa, podendo esta ser afectada pelo tamanho, peso ou habilidades do utilizador – nem todas as crianças de 6 anos devem utilizar o produto. Naturalmente, que qualquer utilizador incapaz de se adaptar confortavelmente ao Crazy Cart Shift não deve tentar utilizá-lo, mas a decisão dos pais de permitir que os filhos andem neste produto deve basear-se na maturidade da criança, na sua habilidade e capacidade para seguir as regras. **A Razor salienta que os adultos são fortemente aconselhados a não desrespeitar as recomendações da Razor ou a não permitir que o Crazy Cart Shift seja utilizado por crianças mais novas.**

NÃO EXCEDA O PESO LIMITE DE 54 kg. O peso do utilizador não significa necessariamente que o tamanho da criança seja adequado para se adaptar ou manter o controlo do Crazy Cart Shift. Mantenha este produto afastado de crianças pequenas e lembre-se que ele se destina a ser usado apenas por pessoas que estão, no mínimo, totalmente à vontade e apresentam competência durante a utilização do produto.

Pessoas que apresentem condições mentais ou físicas que as tornem susceptíveis a lesões ou que impeçam a sua destreza física ou capacidades mentais para reconhecer, entender e seguir as instruções de segurança e ter capacidade para compreender os perigos inerentes à utilização do produto, não devem usar ou ter permissão para usar produtos inapropriados às suas capacidades. Pessoas que sofram de problemas cardíacos, de desordens psíquicas ou de problemas na coluna, pescoço (ou que tenham sido submetidas anteriormente a cirurgias nas referidas zonas do corpo), ou mulheres grávidas, devem ser advertidas para não usar este produto.

NOTA: Este manual contém muitos avisos e precauções a respeito das consequências de falhas na manutenção, inspecção e utilização adequada das ao seu produto sobre rodas eléctrico. Uma vez que qualquer incidente pode resultar em lesões graves ou até mesmo a morte, não repetimos o aviso de possíveis ferimentos graves ou morte cada vez que tal possibilidade for mencionada.

VERIFIQUE E MANTENHA

Antes de utilizar, confirme se todas as tampas e protecções estão colocadas e em condições de utilização. Verifique se as peças estão a funcionar correctamente e se o pneu de tracção principal não está gasto e não necessita de ser substituído. O Crazy Cart Shift deve ser mantido e reparado de acordo com as especificações do fabricante, utilizando apenas peças sobressalentes autorizadas pelo fabricante, não devendo o seu design e configuração original ser modificado. Repor peças desgastadas ou partidas imediatamente

AVISO: UMA OPERAÇÃO SEGURA REQUER UMA ATENÇÃO CUIDADOSA. Este produto não possui um travão tradicional – a paragem é feita utilizando o pedal do acelerador e a direcção. Leia a secção “Como funciona” deste manual e pratique para desenvolver a habilidade na utilização do Crazy Cart Shift.

- Verifique sempre e obedeça às leis ou regulamentos locais que possam afectar os locais onde o Crazy Cart Shift pode ser utilizado. O Crazy Cart Shift destina-se a ser utilizado em propriedade privada e em circuitos fechados, não em passeios ou ruas públicas. Não utilize o seu produto eléctrico em áreas onde existam peões ou trânsito.
- Não rode o interruptor de energia do Crazy Cart Shift para **ON (LIGADO)** ou pressione/active o pedal do acelerador se não estiver sentado e num ambiente exterior seguro, adequado para andar. Rode sempre o interruptor de energia para **OFF (DESLIGADO)** antes de sair do Crazy Cart Shift.
- Mantenha os seus dedos e outras partes do corpo longe do motor, sistema de direcção, das rodas e de todos os outros componentes móveis.
- Segure sempre o volante. Não toque no motor do cubo no Crazy Cart Shift durante a utilização ou imediatamente depois de andar, pois estas peças podem aquecer muito.
- Ande com cuidado. Tenha cuidado com potenciais obstáculos que possam prender a(s) roda(s) ou fazê-lo desviar-se repentinamente ou perder o controlo. Tenha cuidado para evitar peões, utilizadores de skate, skateboards, lambretas, ciclistas, crianças ou

PT

animais que possam atravessar-se no seu caminho e respeite os direitos e a propriedade dos outros.

- Este produto foi fabricado para desempenho e durabilidade, mas não é resistente a danos. Embater contra obstáculos ou outro tipo de condução agressiva pode desgastar e danificar qualquer produto, incluindo o Crazy Cart Shift, e o utilizador assume todos os riscos associados a actividades que envolvam uma tensão elevada. Este produto não é um “carrinho de choque.”
- Não transporte passageiros ou permita a presença de mais do que uma pessoa no produto eléctrico.
- Nunca utilize auscultadores ou telemóveis quando andar no produto. Nunca ande à boleia com outro produto.
- Não ande no Crazy Cart Shift com chuva ou gelo e nunca mergulhe este produto eléctrico em água, porque os componentes eléctricos e motores podem ficar danificados pela água ou criar outras condições eventualmente pouco seguras.
- Superfícies molhadas, escorregadias, acidentadas, irregulares ou ásperas podem aumentar os riscos. Não ande com este produto eléctrico na lama, gelo ou em poças de água. Evite velocidades excessivas que possam estar associadas às deslocações em declives. Nunca ande com o produto eléctrico dentro de casa correndo o risco de danificar superfícies tais como tapetes ou o pavimento.
- Nunca ande próximo de degraus ou piscinas.
- Não ande de noite ou quando a visibilidade for reduzida.
- Poderá ver pessoas na televisão ou em vídeos a efectuar acrobacias e truques no Crazy Cart Shift. Estas pessoas praticaram durante muito tempo e aceitam os riscos que a execução de acrobacias implica. Não assuma que consegue fazer as mesmas acrobacias sem grandes riscos.
- Tenha cuidado e conheça os seus limites. O risco de lesões aumenta à medida que aumenta o grau de dificuldade da condução. O utilizador assume todos os riscos associados às actividades de condução agressivas.

Vestuário adequado

Use sempre equipamento de protecção adequado, como um capacete de segurança aprovado (com a tira do queixo bem apertada). Na sua área, a legislação ou a regulamentação local pode exigir a utilização de capacete. Recomenda-se o uso de cotoveleiras e joelheiras, camisolas de manga comprida, calças compridas e luvas. Use sempre calçado desportivo (sapatos com atacadores com sola de borracha), nunca ande descalço ou com sandálias, e mantenha os atacadores apertados e afastados das rodas, motor e do sistema da transmissão.

Usar o carregador

- Nunca modifique o sistema eléctrico. As alterações podem originar um incêndio. A utilização de um tipo de bateria ou carregador incorrectos pode causar uma explosão.

- ANTES DE CADA UTILIZAÇÃO: carregue a bateria durante PELO MENOS 12 horas antes de cada utilização.
- Desligue após cada utilização. A bateria pode não recarregar se permanecer sem ser utilizada.
- NÃO armazene em temperaturas passíveis de congelação ou temperaturas negativas! As temperaturas abaixo de zero danificam permanentemente a bateria.
- Deve verificar regularmente se existem danos no cabo, na ficha, no revestimento e em outras peças do carregador fornecido com o Crazy Cart Shift. No caso de existirem danos, o Crazy Cart Shift não deverá ser recarregado até que o carregador tenha sido reparado ou substituído.
- Utilize apenas um carregador recomendado pela Razor.
- Tenha cuidado quando carregar.
- O carregador não é um brinquedo. O carregador deve apenas ser usado por um adulto.
- Não use o carregador perto de materiais inflamáveis ou chamas expostas.
- Desligue o carregador da corrente e do Crazy Cart Shift quando não estiver a ser usado.
- Não exceda o tempo de carga.
- Desligue sempre a Crazy Cart Shift do carregador antes de a limpar ou passar um pano húmido.

A FALTA DE BOM SENSO E O DESRESPEITO PELOS AVISOS AUMENTAM OS RISCOS DE FERIMENTOS GRAVES. UTILIZE COM OS DEVIDOS CUIDADOS E A DEVIDA ATENÇÃO À SEGURANÇA.

Garantia Limitada:

Esta Garantia Limitada é a única garantia para este produto. Não existem outras garantias expressas ou implícitas. O fabricante garante a isenção de defeitos de fabrico deste produto por um período de 90 dias a contar da data da compra.

Esta Garantia Limitada será anulada se o produto for alguma vez:

- utilizado de uma forma que não para o lazer ou transporte;
- modificado de alguma forma;
- alugado.



**CONTÉM BATERIA SELADA DE ÁCIDO DE CHUMBO NÃO DERRAMADO.
A BATERIA DEVE SER RECICLADA.**



! OSTRZEŻENIE: Crazy Cart Shift to nie zwykły gokart, **dlatego jazda na nim wymaga większych umiejętności.** Crazy Cart Shift umożliwia ruch do przodu, do tyłu, w poprzek, ślizg po łuku, a nawet obroty. **Te manewry umożliwiają bardzo szybkie zatrzymanie zabawkę i hamowanie bez użycia „standardowego” hamulca.** Niezwykle ważne jest, **aby rozpocząć jazdę powoli i zapoznać się z wyjątkowymi metodami sterowania oraz hamowania** Crazy Cart Shift przed próbą wykonania szybkich zwrotów lub innych operacji pozwalających na pełne wykorzystanie możliwości Crazy Cart Shift. **Z produktu można korzystać na płaskiej otwartej przestrzeni, na której nie ma ruchu kołowego ani innych przeszkód.**

! OSTRZEŻENIE: Korzystanie z każdego produktu o napędzie elektrycznym może być niebezpieczne. W pewnych warunkach sprzęt może zawieść bez winy producenta. Podobnie jak inne elektryczne zabawki do jazdy, także Crazy Cart Shift może się poruszać, dlatego możliwa jest utrata kontroli na tym produktem, może on upaść i/lub uczestniczyć w niebezpiecznych sytuacjach, których nie można wyeliminować poprzez zachowanie uwagi, odpowiednie instrukcje ani doświadczenia. Gdy taka sytuacja ma miejsce, użytkownik może zostać poważnie ranny lub może nawet dojść do jego zgonu, nawet jeśli korzysta ze sprzętu ochronnego i stosuje inne środki bezpieczeństwa. JAZDA ODBYWA NA WŁASNE RYZYKO I MUSI BYĆ ZGODNA ZE ZDROWYM ROZSĄDKIEM.

! OSTRZEŻENIE: ODPOWIEDZIALNOŚĆ I NADZÓR MUSZA PRZEJĄĆ NA SIEBIE RODZICE I OSOBY DOROSŁE: Ta instrukcja zawiera ważne informacje dotyczące bezpieczeństwa. Użytkownik powinien przejrzeć te informacje i dopilnować, aby wszystkie osoby jeżdżące znały wszystkie ostrzeżenia, uwagi, instrukcje i kwestie dotyczące bezpieczeństwa, a także zapewnić bezpieczne i odpowiedzialne korzystanie z tego produktu przez młodych użytkowników. Firma Razor zaleca okresowe przeglądanie i przypominanie informacji zawartych w tej instrukcji młodym użytkownikom, a także kontrolowanie i konserwowanie produktu używanego przez dziecko w celu zapewnienia bezpieczeństwa.

! OSTRZEŻENIE: PRZEŁĄCZNIK PRĘDKOŚCI WYSOKA/NISKA (HIGH/LOW) DLA RODZICA: Crazy Cart Shift jest wyposażony w przełącznik prędkości WYSOKA-NISKA, który może zostać ręcznie ustawiony przez osobę dorosłą przed jazdą dziecka. Przełącznik umożliwia zmniejszenie prędkości Crazy Cart Shift dla początkujących użytkowników.

Zalecany przez producenta minimalny wiek użytkownika to co najmniej 8 lat w przypadku ustawienia WYSOKIEJ prędkości i co najmniej 6 lat w przypadku ustawienia NISKIEJ prędkości. Domyślne ustawienie to WYSOKA prędkość.

! OSTRZEŻENIE: PRODUKT NIEPRZEZNACZONY DLA DZIECI PONIŻEJ 6 LAT LUB WAŻĄCYH WIĘCEJ NIŻ 54 KG. Ponieważ użytkowanie produktów takich jak Crazy Cart Shift może być niebezpieczne, należy podkreślić ODPOWIEDZIALNOŚĆ RODZICÓW ZA DOBÓR PRODUKTÓW DO JAZDY ODPOWIEDNIICH DO WIEKU DZIECKA LUB NADZÓR RODZICIELSKI W SYTUACJACH, GDY DZIECI W RÓŻNYM WIEKU MOGĄ MIEĆ DOSTĘP DO TYCH SAMYCH PRODUKTÓW DO JAZDY. Nie każdy produkt jest odpowiedni dla każdego wieku i wielkości dziecka – w przypadku tej kategorii produktów występują różne zalecenia w zależności od wieku, które odzwierciedlają naturę zagrożeń oraz możliwości psychoruchowe osoby jeżdżącej.

Firma Razor zaleca, aby nie zezwalać dzieciom w wieku do lat 6 na korzystanie z produktu. To zalecenie jest oparte nie tylko na wieku, ale także dotyczy wagi i wzrostu – uwzględnia oczekiwaną dojrzałość i umiejętności oraz wzrost dziecka. Zalecany wiek osoby jeżdżącej, czyli co najmniej 6 lat, jest jedynie szacunkowy; na to zalecenie mogą wpłynąć wzrost, waga i umiejętności dziecka – nie każde dziecko w wieku lat 6 będzie mogło używać tego produktu. Osoba, która nie mieści się wygodnie w produkcie Crazy Cart Shift, nie powinna próbować nim jeździć; **a decyzja rodzica o zezwoleniu dziecku na kierowanie tym produktem powinna być oparta na ocenie dojrzałości dziecka, jego umiejętności i zdolności do przestrzegania zasad. Firma Razor podkreśla, że osoby dorosłe nie powinny ignorować zaleceń firmy lub pozwalać młodszym dzieciom na jazdę produktem Crazy Cart Shift.**

NIE PRZEKRACZAĆ LIMITU WAGI 54 kg. Sama waga osoby jeżdżącej nie oznacza, że wielkość kierowcy jest odpowiednia do jazdy i kontrolowania Crazy Cart Shift. Trzymać produkt z dala od małych dzieci i pamiętać, że jest on przeznaczony do korzystania przez osoby, które mogą co najmniej zupełnie swobodnie i pewnie go obsługiwać.

Osoby o stanie mentalnym lub fizycznym, który może narazić je na uraz ciała lub obniżyć ich zręczność fizyczną albo zdolność do rozpoznawania, rozumienia i przestrzegania instrukcji oraz zrozumienia zagrożeń związanych z używaniem produktu, nie powinny używać produktów nieodpowiednich do ich umiejętności. Osoby z chorobami serca, dolegliwościami związanymi z głową, plecami lub szyją (lub przed operacjami związanymi z tymi częściami ciała) oraz kobiety w ciąży nie powinny korzystać z tego produktu.

UWAGA: Ta instrukcja zawiera wiele ostrzeżeń i środków ostrożności dotyczących konsekwencji zaniedbania konserwacji, przeglądów i prawidłowego używania elektrycznego produktu do jazdy. Każde zdarzenie może powodować poważny uraz lub nawet śmierć, dlatego nie powtarzamy ostrzeżenia o możliwości poważnego urazu lub śmierci za każdym razem, gdy taka możliwość jest wzmiankowana.

KONTROLA I KONSERWACJA

Przed użyciem sprawdź, czy wszystkie osłony i inne pokrywy są swoim na miejscu i w stanie zdatnym do użytku. Sprawdź, czy części działają prawidłowo, a główne koło napędowe nie jest zużyte i nie musi być wymienione. Crazy Cart Shift należy konserwować i naprawiać zgodnie ze specyfikacjami producenta, korzystając tylko z oryginalnych części zamiennych. Nie należy zmieniać konstrukcji ani konfiguracji produktu. Natychmiast wymienić zużyte lub uszkodzone części.

! OSTRZEŻENIE: BEZPIECZNA OBSŁUGA WYMAGA ZACHOWANIA UWAGI. Ten produkt nie jest wyposażony w tradycyjny hamulec – zatrzymywanie wymaga użycia pedału przyspieszenia i skrętu. Przeczytaj sekcję „Jak obsługiwać” tej instrukcji i ćwicz, by nabyć umiejętności za pomocą Crazy Cart Shift.

- Zawsze sprawdzaj i przestrzegaj lokalnych przepisów i uregulowań, które mogą obowiązywać w miejscach używania Crazy Cart Shift. Produkt Crazy Cart Shift jest przeznaczony do korzystania na terenie prywatnym i zamkniętych trasach, a nie na drogach publicznych czy chodnikach. Nie jeźdź elektrycznym pojazdem w miejscach, w których występuje ruch pieszych lub pojazdów.
- Nie obracać wyłącznika zasilania Crazy Cart Shift do pozycji **ON (WŁ.)** ani nie naciskać/aktywować pedału przyspieszenia, nie siedząc w bezpiecznej pozycji, gdy otoczenie jest odpowiednie do jazdy. Zawsze obracać przełącznik zasilania do pozycji **OFF (WYŁ.)** przed opuszczeniem Crazy Cart Shift.
- Trzymać palce i inne części ciała z dala od silnika, układu kierowania, kół i innych ruchomych komponentów.
- Trzymać cały czas kierownicę. Nie dotykaj silnika w piśmie Crazy Cart Shift podczas używania ani bezpośrednio po jeździe, ponieważ te części mogą się bardzo nagrzać.
- Jeździć z zachowaniem ostrożności. Uważać na potencjalne przeszkody, które mogłyby uwięzić koło lub zmusić do gwałtownego skrętu lub utraty kontroli. Omijać pieszych, rowerzystów, deskorolkarzy, użytkowników innych hulajnog, rowkrzystów, dzieci i zwierząt, które mogą znaleźć się na drodze, a także szanować prawa i mienie innych.



- Ten produkt został wyprodukowany z myślą o wydajności i trwałości, ale nie jest niezniszczalny. Uderzenie o przeszkodę lub inne formy agresywnej jazdy mogą przeciążyć i uszkodzić każdy produkt, także Crazy Cart Shift, a kierujący przyjmuje na siebie całe ryzyko związane z takim trybem jazdy. Ten produkt nie jest pojazdem do zderzenia.
- Nigdy nie wozić pasażerów ani nie pozwalać więcej niż jednej osobie na jazdzie tym produktem.
- Nigdy nie używać słuchawek ani telefonu komórkowego podczas jazdy. Podczas jazdy nigdy nie podcepciać się do innego produktu.
- Nie jeździć Crazy Cart Shift w warunkach mokrych lub śnieżnych i pod żadnym pozorem nie zanurzać produktu elektrycznego w wodzie, ponieważ podzespoły elektryczne i napędowe mogą zostać uszkodzone przez wodę lub spowodować inne potencjalnie niebezpieczne sytuacje.
- Mokre, śliskie, nierówne lub chropowate powierzchnie mogą zwiększyć ryzyko. Nie jeździć produktem elektrycznym po błocie, lodzie, bajorach lub wodzie. Nie rozwijać nadmiernej prędkości podczas jazdy z górki. Nigdy nie ryzykować uszkodzenia powierzchni, takich jak dywan czy podłoga, jeżdżąc wewnątrz budynku.
- Nigdy nie używać w pobliżu schodów lub basenu.
- Nie jeździć nocą ani gdy widoczność jest obniżona.
- W telewizji lub na materiałach wideo można zobaczyć ludzi wykonujących akrobacje kaskaderskie na Crazy Cart Shift. Osoby te trenowały przez długi czas i akceptują zagrożenia związane z wykonywaniem trików podczas jazdy. Nie zakładaj, że możesz wykonać te same triki bez ryzyka.
- Zachowaj uwagę i nie wykraczaj poza granice swoich umiejętności. Ryzyko urazu zwiększa się wraz ze wzrostem trudności jazdy. Użytkownik przyjmuje na siebie całe ryzyko związane z agresywną jazdą.

Odpowiedni strój do jazdy

Zawsze należy nosić odpowiedni sprzęt ochronny, tj. posiadający dopuszczenie kask bezpieczeństwa (z bezpiecznie zapiętym paskiem). Kask może być wymagany przez przepisy lokalne lub miejscowe uregulowania. Ponadto zaleca się noszenie ochraniaczy łokci i kolan, koszuli z długimi rękawami, długich spodni i rękawic. Zawsze należy nosić buty sportowe (buty związane sznurowadłami z gumowymi podeszwami), nigdy nie jeździć boso lub w sandałach, mieć związane sznurowadła i trzymać je z dala od kół, silnika i napędu.

Używanie ładowarki

- Zakaz modyfikacji układów elektrycznych. Modyfikacja może być przyczyną pożaru. Użycie nieprawidłowego typu akumulatora lub ładowarki może spowodować eksplozję.

- PRZED KAŻDYM UŻYCIEM: Ładować baterię przez CO NAJMNIEJ 12 godzin.
- Wyłączyć po każdej jeździe. Naładowanie baterii może być niemożliwe, jeśli urządzenie zostanie pozostawione bez wyłączenia.
- NIE przechowywać w temperaturach ujemnych! Temperatury ujemne powodują trwałe uszkodzenie baterii.
- Ładowarka dostarczona wraz z Crazy Cart Shift powinna być regularnie sprawdzana pod kątem uszkodzeń przewodu, wtyczki, obudowy i innych części. W przypadku takiego uszkodzenia nie można ładować produktu Crazy Cart Shift aż do naprawy lub wymiany ładowarki.
- Używać tylko ładowarkę zalecaną przez firmę Razor.
- Zachować uwagę podczas ładowania.
- Ładowarka nie jest zabawką. Powinna być obsługiwana przez osobę dorosłą.
- Nie używać ładowarki w pobliżu materiałów palnych lub otwartego ognia.
- Wyjąć ładowarkę z gniazda i odłączyć od Crazy Cart Shift, gdy nie jest używana.
- Nie przekraczać czasu ładowania.
- Zawsze odłączyć produkt Crazy Cart Shift od ładowarki przed przetarciem jej lub czyszczeniem wilgotną szmatką.

NIEPRZESTRZEGANIE ZASAD ZDROWEGO ROZSĄDKU I POWYŻSZYCH OSTRZEŻEŃ ZWIĘKSZA RYZYKO PÓWAŻNEGO URAZU. UŻYWAĆ Z UWAGĄ, ZWRACAJĄC UWAGĘ NA BEZPIECZNĄ OBSŁUGĘ.

Ograniczona gwarancja:

Ta ograniczona gwarancja jest jedyną gwarancją na ten produkt. Nie obowiązuje żadna inna jawna lub dorozumiana gwarancja. Producent gwarantuje, że ten produkt będzie wolny od wad produkcyjnych przez okres 90 dni od zakupu.

Ta ograniczona gwarancja zostaje unieważniona, gdy produkt:

- zostanie użyty w sposób inny niż do rekreacji lub transportu;
- zostanie w jakikolwiek sposób zmodyfikowany;
- zostanie wypożyczony.



ZAWIERA SZCZELNY, NIEROZLEWAJĄCY SIĘ AKUMULATOR KWASOWO-OŁOWIOWY. AKUMULATOR NALEŻY PODDAĆ RECYKLINGOWI.



FIGYELMEZTETÉS: A Crazy Cart Shift nem egy „közöségség” gokart, ezért **nehezebb vezetni, mint egy közöségség gokartot.** A Crazy Cart Shiftet úgy tervezték, hogy tudjon mozogni előre, hátra, oldalra, sodrott ivekben, sőt körbe-körbe - és „hagyományos” fék helyett ezeket az új funkciókat használja a gyors fékezéshez és leállításához. Rendkívül fontos, hogy **lassan induljon el, és szánjon időt arra, hogy megismerje és megszokja a Crazy Cart Shift egyedi irányítását** és fékezési képességeit, mielőtt gyors fordulatokat tesz, vagy nagy sebességgel halad, vagy bármilyen más módon próbálja meg kihasználni a Crazy Cart Shift képességeit. **A termék használatához nagy, sima tér szükséges, ahol nincs forgalom és nincsenek egyéb akadályok.**

FIGYELMEZTETÉS: Az elektromos termékekkel történő közlekedés veszélyes tevékenység lehet. Bizonyos feltételek a berendezés meghibásodását okozhatják, ami nem a gyártó hibájából következik be. Más elektromos járművekhez hasonlóan a Crazy Cart Shift képes mozogni és ez a rendelkezése is, ezért fennáll annak a lehetősége, hogy elveszíti felette az irányítást, leesik róla és/vagy olyan veszélyes helyzetekbe kerül, ami nem küszöbölhető ki a megfelelő mértékű elővigyázatossággal, betanulással vagy gyakoroltsággal sem. Ezen körülmények előfordulása súlyos sérülést vagy halált okozhat, még a biztonsági berendezések használata és egyéb óvintézkedések betartása mellett is. **SAJÁT KOCKÁZATÁRA VEZESSE A JÁRMŰVET, ÉS JÁRJON EL ÉSZSERŰEN.**

FIGYELMEZTETÉS: SZÜLŐI ÉS FELNŐTT FELELŐSSÉG ÉS FELÜGYELET SZÜKSÉGES: Ez a kézikönyv fontos biztonsági információkat tartalmaz. Az Ön felelőssége az információ áttekintése, és meg kell győződnie arról, hogy minden használat megértett minden figyelmeztetést, óvintézkedést, utasítást és biztonsági kérdést, továbbá gondoskodnia kell arról, hogy a fiatalok képesek legyenek a termék biztonságos és felelősségteljes használatára. A Razor javasolja, hogy szabályos időközönként tekintse át és újabb erősítse meg a kézikönyvben található információkat a fiatalokkal, és a gyermekek biztonsága érdekében ellenőrizze és tartsa karban a terméket.

FIGYELEM: SZÜLŐK ÁLTAL FELÜGYELT GYORS/LASSÚ (HIGH/LOW) KAPCSOLÓ: A Crazy Cart Shift fel van szerelve egy GYORS-LASSÚ kapcsolóval, amelyet egy felnőtt tud kezelni/bállítani, mielőtt a gyermek az eszközt használja. Ez a kapcsoló lehetővé teszi, hogy a szülők korlátozzák a Crazy Cart Shift sebességét, ami a gyermeknek még nincs kellő tapasztalata.

A gyártó azt javasolja, hogy GYORS üzemmódban legalább 8 éves gyerekek használják az eszközt, LASSÚ üzemmódban pedig legalább 6 éves gyerekek. Az alapértelmezett beállítás a GYORS üzemmód.

FIGYELMEZTETÉS: 6 ÉVEN ALULI VAGY 54 KG FÖLÖTTI GYERMEKEK NE HASZNÁLJÁK. Mivel az olyan termékek, mint a Crazy Cart Shift, a használatukhoz egyértelműen kapcsolódó lehetséges veszélyeket jelenthetnek és jelentenek, nyilvánvalóan SZÜKSÉGES A SZÜLŐI FELELŐSSÉG A GYERMEK KORÁNK MEGFELELŐ JÁRMŰVEK KIVÁLASZÁSÁBAN, ILLETVE FONTOS A SZÜLŐI FELÜGYELET OLYAN HELYZETEKBE, AMIKOR A KÜLÖNBÖZŐ KORÚ GYERMEKEK UGYANAHOZ A JÁRMŰHÖZ FÉRHETNEK HOZZÁ. Nem mindegyik termék felel meg minden korú és méretű gyermeknek, és a termékkategórián belül különböző kornak megfelelő ajánlatok találhatók, amelyek tükröznék kívánják a veszélyek természetét, és a használó várható szellemi vagy fizikai, vagy mindkét képességét, hogy megbirkózzon a veszélyekkel.

A Razor azt javasolja, hogy 6 éven aluli gyermekeknek ne engedjék használni ezt a terméket. Ez a javaslat nem csak a koron vagy súlyon, illetve magasságon alapul, hanem fizikailmbe veszi a várható érettséget és készségeket, valamint a gyermek méretet is. Az ajánlott 6 éves vagy annál idősebb felhasználói életkor csak egy becslés, amelyet befolyásolhat a felhasználó mérete, súlya vagy készségei – nem minden 6 éves gyermek lesz alkalmas a termék használatára. Magától értetődően az, aki nem jól kényelmesen a Crazy Cart Shiftben, ne próbálkozzon a használatával, azonban a **szülőnek a gyermek érettsége, készsége és a szabályok betartásának képessége alapján kell eldöntenie, hogy engedi-e gyermekének használni a terméket. A Razor hangsúlyozza, hogy a felnőttek ne hagyják figyelmen kívül a Razor javaslatait, és ne engedjék meg fiatalabb gyermekeknek a Crazy Cart Shift használatát.**

NE LÉPJE TÚL A 54 Kg SÚLYHATÁRT A vezető súlya nem feltétlenül jelenti azt, hogy a személy testmérete megfelelő a Crazy Cart Shifthez vagy annak irányításához. Tartsa kisgyermekétől távol a terméket, és ne felejtse el, hogy a terméket csak azok használatára szánták, akik teljesen kényelmesen és hozzáértően tudják használni azt.

Azok, akik szellemi vagy fizikai állapotukból adódóan sérüléseire hajlamosak, ügyességük csökken, illetve korlátozott az arra vonatkozó szellemi képességük, hogy felismerjék, megértsek és kövessék a biztonsági utasításokat, és hogy képesek legyenek megérteni a Crazy Cart Shift használatában rejlő veszélyeket, ne használják a terméket, illetve ilyen személyeknek ne engedje meg a képességeiknek nem megfelelő termék használatát. Szívbeteg, fej-, hát- vagy nyaki panaszokkal rendelkező személyeket (vagy azokat, akiket ezeken a testrészekben korábban műtöttek), illetve a terhes nőket figyelmeztetni kell, hogy ne használják a terméket.

MEGJEGYZÉS: Ez a kézikönyv számos figyelmeztetést és óvintézkedést tartalmaz, amelyek a termék karbantartása, ellenőrzése vagy a helyes használat elmulasztásának következményeire vonatkoznak. Mivel bármely váratlan esemény súlyos sérülést vagy akár halált is okozhat, ezért nem ismételjük meg minden egyes alkalommal a súlyos sérülés vagy halál esetleges előfordulására figyelmeztető jelzést, amikor megemlítjük ezek lehetőségét.

ELLENŐRZÉS ÉS KARBANTARTÁSA

Használat előtt győződjön meg arról, hogy minden védőburkolat, illetve borító a helyén van és működőképes. Ellenőrizze, hogy az alkatrészek megfelelően működnek-e, valamint, hogy a fő meghajtó gumibroncs nincs-e elkopva, és nem kell-e cserélni. A Crazy Cart Shiftet a gyártó előírásai szerint kell karbantartani és szervizelni, és csakis a gyártó által jóváhagyott cserealkatrészeket szabad felhasználni, és nem szabad módosítani az eredeti gyári kivitel és a konfigurációt. A kopott vagy sérült alkatrészeket azonnal cserélje ki.

FIGYELMEZTETÉS: A BIZTONSÁGOS MŰKÖDÉSHEZ NAGY FIGYELEM SZÜKSÉGES. A termék nem rendelkezik hagyományos fékkel - a kocsis a gázpedál és a kormányzás használatával áll meg. Olvassa el a „Hogyan működik” részt a használati utasításban és gyakorolja a Crazy Cart Shift használatát.

- **Mindig ellenőrizzen és tartsa be minden olyan helyi jogszabályt és rendelkezést, amely befolyásolhatja, hogy hol használható a Crazy Cart Shift.** A Crazy Cart Shiftet magánterületen és zárt pályákon, nem pedig nyílt utcákon vagy a járdán kell használni. Ne használja az elektromos terméket olyan helyeken, ahol gyalogos- vagy gépkocsiforgalom van.
- Ne állítsa a Crazy Cart Shift kapcsolóját **ON (B)** állásba és ne nyomja le a gázpedált, csakis akkor, ha biztonságos, kültéri környezetben van, amely alkalmas a gokartozásra. Mindig állítsa a főkapcsolót **OFF (KI)** állásba, ha abbahagyja a gokartozást.
- Tartsa távol az ujjait és egyéb testrészeit a kormányműrendszertől, a kerekektől és az összes többi mozgó alkatrésztől.
- Mindig tartsa a kezét a kormánykeréken. Ne érintse meg a Crazy Cart Shift motorját használat közben, vagy közvetlenül azt követően, mert nagyon forró tud lenni.
- Az esetleges veszélyeket szem előtt tartva használj. Figyeljen a lehetséges akadályokra, amelyek elkapathatják a kereket, vagy hirtelen fékezésre, illetve az irányítás elvesztésére kényszerítenek. Legyen óvatos, kerülje el a gyalogosokat, görkorcsolyázókat, gördeszkásokat, rollerezőket, kerékpárosokat, gyermekeket vagy állatokat, akik kiléphetnek Ön elé, és tartsa tisztelben mások



- jogait és tulajdonát.
- Ez a termék tartós használatra készült, de megrongálódhat. Ha nekimegy akadályoknak, vagy agresszív módon vezet, az megterhelheti és károsíthatja a termékeket, így a Crazy Cart Shiftet is, és teljes mértékben a vezető felelős a nagy terheléssel járó tevékenységből adódó kockázatokért. A termék nem „lökődősésre” készült!
- Soha ne szállítson utasokat és ne engedje, hogy egyszerre egynél több ember vezesse a terméket.
- Soha ne használj fejhallgatót vagy mobiltelefont a termék használata közben. Soha ne vontassa magát egy másik járművel.
- Ne használja a Crazy Cart Shiftet esős vagy jeges időben, és soha ne mártsa vízbe a Crazy Cart Shiftet, mivel a víztől az elektromos és hajtóelemek megsérülhetnek, vagy egyéb veszélyes helyzet alakulhat ki.
- A nedves, csúszós, görgőgyös és egyenetlen felületek növelik a veszélyt. Ne használja ezt az elektromos terméket sárban, jégen, tócsákban vagy vízben. Kerülje el a lejtmenethez kapcsolódó fokozott sebességet. Soha ne kockáztassa meg, hogy az elektromos termék beltéri használatával kárt tegyen az olyan felületekben, mint a szőnyeg vagy a padló.
- Soha ne használjd lépcső vagy úszómedence közelében.
- Ne rollerez éjszaka, vagy amikor a látási viszonyok korlátozottak.
- A TV-ben vagy videón láthat olyan személyeket, akik trükköket vagy mutatványokat végeznek a Crazy Cart Shifttel. Ezek az emberek már régóta gyakorolnak, és ismerik a trükkös vezetéssel járó kockázatokat. Ne gondolja, hogy megkísérelheti ugyanezeket a trükköket nagy kockázat nélkül.
- Legyen óvatos és ismerje a saját határait. A nehezebb vezetéssel nagyobb a sérülés kockázata. A vezetőt terheli az összes felelősség az agresszív vezetéssel kapcsolatban.

Helyes öltözet a gokart használatához

Mindig viseljen megfelelő védőfelszerelést, például jóváhagyott bukósisakot (biztonságosan becsatolt szíjjal). A védősisak a helyi jogszabályok és rendelkezések előírásai szerint kötelező lehet a környéken. Javasolt a könyök- és térdvédő, a hosszú ujjú póló, hosszúnadrág és a kesztyű használata. Mindig viseljen sportcipőt (cipőfűzős, gumitalpú cipő), soha ne használja a gokartot meztláb vagy szandálban, a cipőfűzőt mindig kösse be, és ügyeljen arra, hogy az ne kerülhessen a kerekek, a motor és a hajtómű-rendszer útjába.

A töltő használata

- Soha ne módosítsd az elektromos rendszert. A változtatás tüzet okozhat. Nem megfelelő típusú akkumulátor vagy töltő használata robbanást okozhat.

- MINDEN HASZNÁLAT ELŐTT: LEGALÁBB 12 órát töltsd az akkumulátort.
- Kapcsold ki minden használat után. Előfordulhat, hogy az akkumulátor nem töltődik fel, ha használaton kívül bekapcsolva marad.
- NE tárold nagyon hidegben vagy fagypont alatti hőmérsékleten! Fagypont alatti hőmérséklet marandó károsodást okoz az akkumulátorban.
- Az elektromos Crazy Cart Shifthez biztosított töltőt rendszeresen meg kell vizsgálni, hogy a kábel, a dugó, a burkolat és más részek nem sérültek-e meg. Ilyen károsodás esetén a Crazy Cart Shiftet nem szabad tölteni addig, amíg a töltőt meg nem javítják, vagy ki nem cserélik.
- Csak a Razor által ajánlott töltőt használj.
- A töltéskor legyen elővigyázatos.
- A töltő nem játékszer. Csak felnőtt működtetheti.
- Ne használj a töltőt gyúlékony anyag vagy nyílt láng közelében.
- Húzza ki a töltőt az elektromos hálózati aljzatból, és válassza le a Crazy Cart Shiftről, amikor nincs használatban.
- Ne lépd túl a töltési időt.
- Mindig húzd ki a Crazy Cart Shiftet a töltőtől, mielőtt nedves ruhával letöröld vagy megtisztítod.

A JÓZAN ÉSZ HASZNÁLATÁNAK ÉS A FENTI FIGYELMEZTETÉSEK FIGYELEMBE VÉTELÉNEK ELMULASZTÁSA MEGNÖVELI A SÚLYOS SÉRÜLÉS KOCKÁZATÁT. HASZNÁLJA MEGFELELŐ ELŐVIGYÁZATOSSÁGGAL, ÉS FORDÍTSON KOMOLY FIGYELMET A BIZTONSÁGOS MŰKÖDTETÉSRE.

Korlátozott garancia:

Ez a korlátozott jótállás az egyedüli garancia erre a termékre. Nincs semmilyen más kifejezett vagy feltételezett garancia. A gyártó garantálja, hogy a termék a vásárlás időpontjától számítot 90 napig gyártási hibáktól mentes. Ez a korlátozott garancia megszűnik, amennyiben a termék bármikor:

- rekreáción vagy szállításon kívül más módon használták;
- bármilyen módon megváltoztatták;
- bérbe adták.



**LEZÁRT, FRÖCCSENÉSMENTES ÓLOMAK-
KUMULÁTORT TARTALMAZ.
AZ AKKUMULÁTORT ÚJRA KELL
HASZNOSÍTANI.**



⚠ ПРЕДУПРЕЖДЕНИЕ: Crazy Cart Shift отличается от обычного карта, поэтому для него требуются особые навыки вождения. Crazy Cart Shift спроектирован таким образом, чтобы двигаться вперед, назад и в сторону, а также входить в управляемый занос (дрифт) и даже разворачиваться прямо на месте. Эти функции полностью заменяют собой «обычный» тормоз, позволяя дрифтовать быстро тормозить и останавливаться. Крайне важно начинать с медленного движения, чтобы было время привыкнуть к необычному управлению и торможению Crazy Cart Shift, перед тем как выполнять резкие повороты или другие быстрые маневры, а также пытаться максимально полно использовать возможности Crazy Cart Shift. Для пользования этим изделием необходимо ровное открытое пространство, свободное от дорожного движения и прочих препятствий.

⚠ ПРЕДУПРЕЖДЕНИЕ: Катание на любом электрическом изделии может быть рискованным. Определенные условия могут привести к поломке изделия без вины производителя. Как и другие изделия для езды, Crazy Cart Shift предназначен для движения, поэтому существует возможность потерять управление, упасть и/или попасть в опасную ситуацию, чего не может исключить любое обслуживание, инструктирование или опыт. Если такое произойдет, вы можете быть серьезно травмированы или умереть, даже если использовать защитное оснащение и следовать мерам предосторожности. ИСПОЛЬЗУЙТЕ НА СВОЙ СОБСТВЕННЫЙ РИСК И БУДЬТЕ РАССУДИТЕЛЬНЫ.

⚠ ПРЕДУПРЕЖДЕНИЕ: НЕОБХОДИМА ОТВЕТСТВЕННОСТЬ И ПРИСМОТР РОДИТЕЛЕЙ И ВЗРОСЛЫХ. Это руководство содержит важную информацию по безопасности. Вы должны просмотреть эту информацию и убедиться в том, что все пользователи понимают все предостережения, предупреждения, инструкции и вопросы безопасности, а также удостовериться в том, что все пользователи могут безопасно и ответственно использовать данную продукцию. Razor рекомендует периодически просматривать и вспоминать информацию в этом руководстве с детьми и проводить проверку и техническое обслуживание продукции, чтобы обеспечить безопасность детей.

⚠ ПРЕДУПРЕЖДЕНИЕ: ПЕРЕКЛЮЧАТЕЛЬ СКОРОСТИ HIGH-LOW ДЛЯ РОДИТЕЛЕЙ! Crazy Cart Shift имеет переключатель скорости HIGH-LOW, который взрослые могут соответствующим образом настроить перед поездкой детей. Этот переключатель позволяет родителям уменьшать скорость передвижения в случае, когда Crazy Cart Shift используют новички.

Рекомендуемый производителем минимальный возраст ребенка для езды на высокой скорости (HIGH) составляет 8 лет, а на низкой скорости (LOW) - 6 лет. По умолчанию установлено положение HIGH.

⚠ ПРЕДУПРЕЖДЕНИЕ: НЕ ДЛЯ ДЕТЕЙ ВОЗРАСТОМ ДО 6 ЛЕТ И ВЕСОМ БОЛЕЕ 54 КГ. Так как продукция, подобная Crazy Cart Shift, может представлять и представляет потенциальную опасность, связанную с использованием, принято считать, что ВАЖНА РОДИТЕЛЬСКАЯ ОТВЕТСТВЕННОСТЬ ПРИ ВЫБОРЕ ДВИЖУЩЕЙСЯ ПРОДУКЦИИ, СООТВЕТСТВУЮЩЕЙ ВОЗРАСТУ РЕБЕНКА, ИЛИ РОДИТЕЛЬСКОЕ НАБЛЮДЕНИЕ В СИТУАЦИЯХ, КОГДА ДЕТИ РАЗЛИЧНОГО ВОЗРАСТА МОГУТ ИМЕТЬ ДОСТУП К ДВИЖУЩЕЙСЯ ПРОДУКЦИИ. Не каждая продукция подходит для любого возраста или размера ребенка и для этой категории продукции представлены рекомендации для разных возрастов, которые предназначены для описания природы риска и ожидаемых умственных и физических способностей (или того или другого) пользователя, чтобы избежать опасности.

Razor рекомендует не разрешать детям до 6 лет пользоваться этим изделием. Эта рекомендация основана не только на возрасте, весе или росте - она отражает ожидаемую зрелость и навыки, а также физические размеры. Рекомендуемый возраст пользователя - 6 лет или старше - является оценочным и может зависеть от размеров, веса и навыков пользователя, не каждый ребенок 6 лет может кататься на этом изделии. Конечно, если пользователю неудобно кататься на Crazy Cart Shift, не нужно этого делать, но решение родителей разрешить своему ребенку кататься на продукции должно основываться на зрелости, навыках и умении следовать правилам. Компания Razor

подчеркивает, что взрослым настоятельно рекомендуется следовать советам Razor и не давать детям младше указанного возраста кататься на Crazy Cart Shift.

НЕ ПРЕВЫШАЙТЕ ОГРАНИЧЕНИЕ ПО ВЕСУ В 54 кг. Только лишь вес пользователя не означает, что размер человека отвечает требованиям по управлению Crazy Cart Shift. Не давайте продукцию маленьким детям и помните, что она предназначена для использования людьми, которые, как минимум, удобно себя чувствуют во время управления продукцией и знают, как это делать.

Люди с умственными и физическими особенностями, которые делают их восприимчивыми к травмам или влияяют на физическую способность управлять или умственную способность воспринимать, понимать и соблюдать инструкции безопасности и способность понимать риски, связанные с использованием изделия, не должны использовать или допускаться к использованию продукции, которая не соответствует их возможностям. Людей с болезнями сердца, заболеваниями головы, спины или шеи (или операциями на этих частях тела) или беременных женщин нужно предупредить, что им нельзя управлять этой продукцией.

ВНИМАНИЕ: В этом руководстве содержится много предупреждений и предостережений, касающихся последствий неправильного ухода, осмотра или использования электрического изделия. Поскольку каждый несчастный случай может привести к травме и даже смерти, мы не повторяем информацию о возможности травмы или смерти при каждом упоминании.

ПРОВЕРКА И ОБСЛУЖИВАНИЕ

Перед использованием убедитесь в том, что все крышки и кожухи цепи на месте и в рабочем состоянии. Убедитесь, что детали работают нормально и что основное ведущее колесо не изношено и не нуждается в замене. Crazy Cart Shift должен обслуживаться и ремонтироваться в соответствии с рекомендациями производителя, должны использоваться только разрешенные производителем запчасти; запрещено изменять оригинальные конструкцию и конфигурацию. Изношенные или поврежденные детали подлежат немедленной замене.

⚠ ПРЕДУПРЕЖДЕНИЕ: БЕЗОПАСНАЯ ЭКСПЛУАТАЦИЯ ТРЕБУЕТ ОСОБОГО ВНИМАНИЯ. У этого изделия нет традиционного тормоза, остановка выполняется с помощью педали акселератора и поворота. Прочитайте раздел «Управление» в этом руководстве и попрактикуйтесь в катании на Crazy Cart Shift.

- Всегда узнавайте и соблюдайте местные законы или нормы, которые могут повлиять на места использования Crazy Cart Shift. Crazy Cart Shift должен использоваться на частной территории и на закрытых площадках, а не на улицах и тротуарах. Не катитесь на электрическом изделии в местах движения пешеходов и автомобилей.
- Не устанавливайте переключатель питания Crazy Cart Shift в положение ON (ВКЛ.) и не нажимайте/активируйте педаль акселератора, если вы не находитесь в безопасном месте под открытым небом, подходящим для катания. Всегда устанавливайте переключатель питания OFF (ВЫКЛ.), прежде чем покинуть Crazy Cart Shift.
- Не прикасайтесь пальцами или другими частями тела к

двигателю, рулевому механизму, колесам и любым другим подвижным компонентам.

- Всегда держитесь за рулевое колесо. Избегайте контакта с колесом-двигателем Crazy Cart Shift сразу после поездки, поскольку этот компонент сильно нагревается.
- Следует ездить аккуратно. Остерегайтесь возможных препятствий, в которые может попасть ваше колесо или которые могут привести к отклонению либо потере управления. Избегайте пешеходов, роллеров, скейтбордистов, препятствий, велосипедов, мотоциклов, детей и животных, которые могут появляться у вас на пути; уважайте права и собственность других.
- Данная продукция рассчитана на долговечную эксплуатацию и обладает хорошими техническими характеристиками, но это не исключает возможность повреждений. Наезд на препятствия или другие проявления агрессивного стиля езды могут перегрузить и повредить любые изделия, включая Crazy Cart Shift, и пользователь принимает все риски, связанные с тяжелыми нагрузками. Это не мини-электромобиль с бампером, рассчитанный на столкновения.
- Категорически запрещено перевозить на электрическом изделии пассажиров и позволять кататься на нем двум или более людям одновременно.
- Во время езды никогда не используйте наушники или мобильных телефон. Категорически запрещено буксировать это изделие другими транспортными средствами.
- Запрещено кататься на Crazy Cart Shift в условиях повышенной влажности и по снегу; категорически запрещено погружать электрическое изделие в воду, так как это может приводить к повреждению электрических компонентов и привода, а также к возникновению других опасных условий.
- Мокрые, скользкие, ухабистые, неровные или грубые поверхности могут увеличивать риск. Не катайтесь на электрическом изделии по грязи, льду, лужам или воде. Избегайте высокой скорости во время спуска. Никогда не рискуйте повреждением таких поверхностей, как ковер или настил, используя электрическое изделие в помещении.
- Никогда не используйте вблизи ступенек или бассейнов.
- Не катайтесь ночью или с ограниченным освещением.
- Возможно, вы видели, как люди по телевизору или в видеороликах выполняют трюки и сложные маневры на Crazy Cart Shift. Эти люди долго тренировались и принимают все риски, возможные при выполнении трюков. Не пытайтесь повторить такие трюки, т.к. это связано с большим риском.
- Будьте осторожны и знайте об ограничениях. Риск травм повышается с увеличением степени сложности езды. Пользователь принимает все риски, связанные с агрессивной ездой.

Необходимая экипировка для катания

Всегда надевайте необходимые средства защиты, такие как сертифицированный защитный шлем (с надежно закрепленным подбородочным ремнем). Наличие шлема может требоваться в соответствии с местным законом или нормами в вашем регионе. Рекомендуются налокотники и наколенники, рубашка с длинным рукавом, длинные брюки и перчатки. Всегда надевайте спортивную обувь (шнурованную обувь с резиновой подошвой), никогда не катайтесь босиком или в сандалиях; всегда тщательно завязывайте шнурки, чтобы они не попали в колеса, двигатель и систему привода.

Использование зарядного устройства

- Никогда не модифицируйте электрическую систему. Изменения могут привести к пожару. Использование неправильного типа батареи или зарядного устройства может привести к взрыву.
- ПЕРЕД КАЖДЫМ ИСПОЛЬЗОВАНИЕМ: заряжайте аккумулятор МИНИМУМ 12 часов.
- Выключайте после каждой поездки. Если оставить включенным без использования, батарея может не заряжаться.
- НЕ храните при температуре замерзания или ниже! Температура замерзания может полностью повредить батарею.
- Зарядное устройство, которое входит в комплект поставки Crazy Cart Shift, необходимо регулярно проверять на предмет повреждений кабеля, вилки, корпуса и других деталей. В случае повреждений Crazy Cart Shift не нужно заряжать, пока зарядное устройство не будет отремонтировано или заменено.
- Используйте только зарядное устройство, рекомендованное Razor.
- При зарядке принимайте меры предосторожности.
- Зарядное устройство – это не игрушка. Зарядное устройство могут использовать только взрослые.
- Не используйте зарядное устройство возле легковоспламеняемых материалов и открытого огня.
- Отсоединяйте зарядное устройство от сети и от Crazy Cart Shift, когда оно не используется.
- Не превышайте время зарядки.
- Всегда отключайте Crazy Cart Shift от зарядного устройства перед тем, как протереть его сухой или влажной тканевой салфеткой.

НЕОСТОРОЖНОЕ ИСПОЛЬЗОВАНИЕ И ИГНОРИРОВАНИЕ ПРЕДУПРЕЖДЕНИЙ УВЕЛИЧИВАЮТ РИСК СЕРЬЕЗНЫХ ТРАВМ. ИСПОЛЬЗУЙТЕ НА СВОЙ РИСК И ОБРАЩАЙТЕ ОСОБОЕ ВНИМАНИЕ НА БЕЗОПАСНОСТЬ.

Ограниченная гарантия

Эта ограниченная гарантия является единственной гарантией для продукции. Других явно выраженных или подразумеваемых гарантий нет.

Производитель гарантирует, что эта продукция не имеет производственных дефектов на протяжении 90 дней с даты покупки.

Данная ограниченная гарантия будет аннулирована, если продукция:

- использовалась не для развлечения или катания;
- каким-либо способом изменялась;
- сдавалась в прокат.



СОДЕРЖИТ ГЕРМЕТИЧНОЕ АККУМУЛЯТОРНУЮ СВИНЦОВО-КИСЛОТНУЮ БАТАРЕЮ. БАТАРЕЯ ДОЛЖНА ПЕРЕРАБАТЫВАТЬСЯ.



! VARNING! Crazy Cart Shift är inte samma som en vanlig go-kart och **den kan därför kräva större skicklighet att köra än en vanlig go-kart.** Crazy Cart Shift är utformad för att röra sig framåt, bakåt, i sidled, i bägformade driftförelser och till och med för att snurra runt i cirklar – och i **stället för att bromsa på konventionellt sätt använder man sig av dessa funktioner för att stoppa och bromsa snabbt.** Det är mycket viktigt att **börja köra långsamt och ta god tid på sig för att lära känna** Crazy Cart Shifts unika styrförmåga och bromskapacitet innan man provar på snabba svängar eller andra snabba rörelser eller på annat sätt använder Crazy Carts Shifts funktioner fullt ut. **För att använda denna produkt krävs en plan och öppen yta, utan trafik eller andra hinder.**

! VARNING! Att köra en eldriven produkt kan vara en riskfylld aktivitet. Vissa omständigheter kan orsaka att utrustningen inte fungerar utan att det beror på ett tillverkningsfel. Liksom andra eldrivna produkter som man sitter på kan och är Crazy Cart Shift avsett att förflytta sig, och det är därför möjligt att förlora kontrollen, ramlar av och/eller hamna i farliga situationer som vare sig försiktighet, instruktioner eller goda kunskaper kan eliminera. Sådana situationer kan leda till allvariga skador eller dödsfall, även om man använder säkerhetsutrustning eller vidtar andra försiktighetsåtgärder. **ANVÄND PRODUKTEN PÅ EGEN RISK OCH ANVÄND SUNT FÖRNUFT.**

! VARNING! ANSVAR OCH ÖVERVAKNING SOM KRÄVS AV FÖRÄLDRA OCH VUXNA: Denna manual innehåller viktig säkerhetsinformation. Det är ditt ansvar att läsa denna information och se till att alla förare förstår alla varningar, instruktioner och säkerhetsfrågor och försäkra dig om att unga förare kan använda denna produkt på ett säkert och ansvarsfullt sätt. Razor rekommenderar att du emellanåt granskar informationen i den här manualen och går igenom den noggrant med yngre förare samt att du kontrollerar och underhåller dina barns produkt för att säkerställa deras säkerhet.

! VARNING: FÖRÄLDRAKONTROLLERAD HASTIGHETSVÄLJARE: Crazy Cart Shift har en hastighetsväljare (HIGH/LOW) som kan ställas in manuellt av en vuxen innan barn använder produkten. Denna väljare gör det möjligt för föräldrar att sänka Crazy Cart Shifts hastighet för nybörjare.

Tillverkaren föreslår 8 år som lägsta förarålder för hög hastighet (HIGH) och 6 år för låg hastighet (LOW). Hög hastighet (HIGH) är inställd som standard.

! VARNING! EJ AVSEDD FÖR BARN UNDER 6 ÅR ELLER SOM VÄGER MER ÄN 54 KG. Eftersom produkter som Crazy Cart Shift medför potentiella risker direkt förknippade med deras användning är det ett väl erkänt faktum att **DET ÄR VIKTIGT ATT FÖRÄLDRAR VÄLJER ÅKPRODUKTER PÅ ETT ANSVARSFULLT SÄTT SOM ÄR LÄMPLIGA FÖR BARNETS ÅLDER OCH ATT FÖRÄLDRARNA ÖVERVAKAR BARNEN I SITUATIONER DÄR BARN I OLIKA ÅLDRAR KAN HA TILLGÅNG TILL SAMMA ÅKPRODUKTER.** Alla produkter är inte lämpliga för alla åldrar eller barnstorlekar, och det finns olika åldersrekommendationer inom denna produktkategori som är menade att återspegla riskernas karaktär och en föräres förväntade mentala eller fysiska förmåga (eller bådaderna) som krävs för att hantera riskerna.

Razor rekommenderar att barn under 6 år inte tillåts att använda denna produkt. Denna rekommendation baseras inte enbart på ålder, vikt eller längd – utan återspeglar även ett övervägande av barnets förmodade mognadsgrad och färdigheter liksom fysiska storlek. Den rekommenderade föräldrarnas på 6 år eller äldre är endast en uppskattning och kan påverkas av förärens storlek, vikt eller färdigheter – alla 6-åriga barn är inte lämpade för produkten. Förare som inte kan sitta bekvämt på Crazy Cart Shift ska aldrig försöka att köra fordonet, och en **förälders beslut att tillåta sitt barn att köra produkten ska baseras på barnets mognadsgrad, färdigheter och förmåga att lyda regler.** Razor betonas att **vuxna tillråds mycket bestämt att inte välja att ignorera Razors rekommendationer eller att tillåta yngre barn att köra en Crazy Cart Shift.**

FÖRAREN FÅR INTE ÖVERSTIGA VIKTGRÄNSEN PÅ 54 kg. Endast förarvikten betyder inte heller nödvändigtvis att en persons storlek

är lämpad för att sitta på eller hålla kontrollen över ett Crazy Cart Shift-fordon. Håll denna produkt på avstånd från mindre barn och kom ihåg att produkten endast är avsedd att användas av personer som (som minimum) kan använda produkten på ett fullständigt tryggt och kompetent sätt.

Personer med mentala eller fysiska problem som gör att de lätt kan komma till skada eller som försämrar deras fysiska rörlighet eller mentala förmåga att ta till sig, förstå och följa säkerhetsinstruktioner eller deras förmåga att förstå de risker som användningen av produkten innebär, ska inte använda eller tillåtas att använda produkter som inte är lämpade för deras förmågor. Personer med hjärtproblem eller med krämpor i huvud, rygg eller nacke (eller som tidigare har opererats i dessa delar av kroppen) samt gravida kvinnor ska uppmanas att inte använda denna produkt.

OBES! Denna manual innehåller många varningar och försiktighetsåtgärder vad gäller brister i underhåll, kontroll och korrekt användning av denna åkprodukt. Eftersom varje incident kan leda till allvarliga skador och till och med dödsfall, kommer vi inte att upprepa varningar för risk för allvarliga skador eller dödsfall varje gång en sådan situation nämns.

KONTROLLERAR OCH UNDERHÅLLA

Innan produkten används ska du kontrollera att alla skydd finns på plats och är i funktionsdugligt skick. Kontrollera att delarna fungerar korrekt och att det drivande hjulet inte är slitet och behöver bytas. Crazy Cart Shift ska underhållas och repareras enligt tillverkarens specifikationer och endast med hjälp av tillverkarens godkända reservdelar. Tillverkaren originaldesign får inte modifieras eller ändras. Byt slitna eller skadade delar omedelbart.

! VARNING! SÄKER HANTERING KRÄVER NOGRANN UPPMÄRKSAMHET. Denna produkt har ingen traditionell broms – den stoppas med hjälp av gaspedalen och styrningen. **Läs avsnittet "Hur du använder Crazy Cart Shift" i denna manual och öva för att utveckla färdigheter när det gäller hanteringen av Crazy Cart Shift.**

- **Kontrollera och följ alltid lokala lagar eller bestämmelser, som kan inverka på de platser där man får använda Crazy Cart Shift.** Crazy Cart Shift är till för att användas på privat egendom och slutna banor och får inte användas på allmänna gator eller trottoarer. Använd inte din eldrivna produkt på platser med fotgångare eller fordonstrafik.
- Slå inte **ON (PÅ)** strömbrytaren i Crazy Cart Shift eller tryck ner/aktivera gaspedalen om du inte befinner dig i en säker utomhusmiljö som lämpar sig för körning. Sätt alltid strömbrytaren på **OFF (AV)** innan du stiger av Crazy Cart Shift.
- Håll fingrar och andra kroppsdelar borta från motor, styrsystem, hjul och alla andra rörliga delar.
- Håll alltid i ratten i alla situationer. Rör inte navmotorn på din Crazy Cart Shift medan produkten används eller omedelbart efter körning eftersom dessa delar kan bli mycket heta.
- Kör defensivt. Se upp för eventuella hinder som hjulet(en) kan fastna i eller som kan tvinga dig att göra en plötslig undanmanöver eller som kan få dig att tappa kontrollen. Var nog med att undvika fotgångare, personer som åker rullskridskor, skateboard, sparkcyklar eller cyklar, samt barn eller djur som kan komma i vägen för dig. Respektera andras rättigheter och egendom.
- Denna produkt har tillverkats för goda prestanda och hållbarhet, men den kan skadas. Om man kör in i hinder eller bedriver annan typ av aggressiv körning kan produkter överbelastas eller skadas, och detta gäller även för Crazy Cart Shift, så föraren måste inse

SV



- alla risker som är förenade med aktiviteter som innebär hög påfrestning. Denna produkt är inte en radiobil.
- Ha aldrig med passagerare och låt bara en person i taget köra den eldrivna produkten.
 - Använd aldrig hörlurar eller mobiltelefon när du åker. Håll aldrig fast i andra fordon eller åkprodukter medan du åker.
 - Kör inte Crazy Cart Shift i blött eller isigt väder och sänk aldrig ner denna eldrivna produkt i vatten, eftersom el- och drivningskomponenter kan skadas av vatten eller orsaka andra osäkra förhållanden.
 - Våta, glatta, guppiga, ojämna eller skrovliga underlag kan öka riskerna. Använd denna eldrivna produkt på is, i gyttna, vattenpölar eller vatten. Undvik höga hastigheter som kan uppstå i nedförsbackar. Använd inte en eldriven produkt inomhus så att du riskerar att skada ytor såsom mattor eller golv.
 - Använd aldrig produkten i närheten av trappor eller simbassänger.
 - Åk inte när det är mörkt ute eller om sikten är begränsad.
 - På TV eller videor kan du se människor som utför tricks och avancerade manövrar med Crazy Cart Shift. Kom ihåg att de har tränat under lång tid och är medvetna om riskerna med trickkörning. Tro inte att du kan utföra samma tricks utan att utsätta dig själv eller andra för stora risker.
 - Var försiktig och inse dina begränsningar. Skaderisken ökar i takt med att ktrningens svårighetsgrad ökar. Föraren ska vara medveten om alla risker som aggressiv körning innebär.

Lämplig klädsel vid körning

Använd alltid lämplig skyddsutrustning, såsom godkänd skyddshjälm (med hakremmen säkert fastspänd). Hjälm kan vara obligatorisk enligt gällande lag eller bestämmelser. Dessutom rekommenderas armbågsskydd, knäskydd, långärmad skjorta, långbyxor och handskar. Använd alltid gymnasstiskor (med skosnöre och gummisulor), åk aldrig barfota eller i sandaler och se alltid till att skosnören är knutna och på avstånd från hjulen, motorn och drivsystemet.

Använda laddaren

- Modifiera aldrig det elektriska systemet. Ändringar kan orsaka brand. Användning av fel batterityp eller laddare kan orsaka en explosion.
- FÖRE VARJE ANVÄNDNING: Ladda batteriet i MINST 12 timmar.

- Stäng av sparkcykeln efter varje åktur. Det kan hända att batteriet inte går att ladda om sparkcykeln lämnas på "ON" (PÅ) utan att den används.
- Förvara INTE batteriet i temperaturer under 0 °C! Dessa låga temperaturer skadar batteriet permanent.
- Den laddare som medföljer Crazy Cart Shift ska undersökas regelbundet för kontroll av eventuella skador på sladd, stickkontakt, skyddskåpa eller övriga delar. Om sådana skador finns får Crazy Cart Shift inte laddas förrän laddaren har reparerats eller bytts ut.
- Använd endast en laddare som rekommenderas av Razor.
- Var försiktig vid laddning.
- Laddaren är ingen leksak. Laddaren får endast hanteras av vuxna.
- Använd inte laddaren i närheten av lättantändliga material eller en öppen låga.
- Dra ur kontakten och koppla bort laddaren från Crazy Cart Shift när den inte används.
- Överstig inte laddningstiden.
- Koppla alltid ur Crazy Cart Shift från laddaren innan du torkar av fordonet eller rengör det med en fuktig trasa.

UNDERLÅTENHET ATT ANVÄNDA SUNT FÖRNUFT ELLER INTE BRY SIG OM VARNINGARNA ÖKAR RISKEN FÖR ALLVARLIGA SKADOR. ANVÄNDS MED LÄMPLIG OCH KORREKT UPPMÄRKSAMHET PÅ SÄKER HANTERING.

Begränsad garanti:

Denna begränsade garanti är den enda garanti som finns för denna produkt. Det finns ingen annan uttrycklig eller underförstådd garanti.

Tillverkaren garanterar att denna produkt är fri från tillverkningsdefekter för en period av 90 dagar från köpdatumet.

Denna begränsade garanti blir ogiltig om produkten någonsin:

- används på ett annat sätt än för fritids- eller transportändamål;
- modifieras på något sätt;
- hyrs ut.



INNEHÅLLER ETT SLUTET ICKE-SPILLBART BLYACKUMULATORBATTERI. BATTERIET MÅSTE ÅTERVINNAS.

⚠ ADVARSEL: Crazy Cart Shift er ikke det samme som en «vanlig» go-kart, derfor **kan det kreves større ferdigheter for å kjøre den enn ved en vanlig go-kart.** Crazy Cart Shift er laget for bevegelse framover, bakover og sidelengs, dette i glidende kurver og til og med for å kunne svinge rundt i buer – og framfor en «tradisjonell» bremse, **braker den disse egenskapene for å kunne stanse og bremse svært hurtig.** Det er enormt viktig å **starte rolig for å bli kjent og trygg med Crazy Cart Shifts** unike retningskontroll og bremseegenskaper. Dette må gjøres før man forsøker seg på brå svingning eller andre hurtige handlinger, eller før man bruker Crazy Cart Shift til dens fulle nivå. **Bruk av dette produktet krever en flat og åpen plass som er uten trafikk eller andre hindringer.**

⚠ ADVARSEL: Å kjøre et elektrisk produkt kan medføre fare. Enkelte forhold kan føre til at produktet svikter, dette uten at det er produsentens feil. Som med andre kjørbare elektriske produkter er Crazy Cart Shift utformet for bevegelse. Derfor er det mulig å miste kontrollen, falle av og/eller havne i farlige situasjoner, dette til tross for at man viser aktsomhet, følger instruksjonene eller er erfaren. Dersom du havner i en slik situasjon, så kan det medføre alvorlig personskade eller dødsfall, dette selv om verneutstyr blir bruk og andre forholdsregler blir tatt. **DU KJØRER PÅ EGEN RISIKO, BRUK SUNN FORNUFT.**

⚠ ADVARSEL: ANSVAR OG OPPSYN FRA FORELDRE OG VOKSNE ER NØVDENDIG: Denne håndboken inneholder viktig sikkerhetsinformasjon. Det er ditt ansvar å gå gjennom denne informasjonen og sørge for at alle kjørere forstår alle advarsler, varsler, instruksjoner og sikkerhetsemner og sørger for at unge kjørere er i stand til å bruke dette produktet sikkert og ansvarlig. Razor anbefaler at du går gjennom og pålegger med jevne mellomrom at yngre kjørere følger informasjonen i denne håndboken, og at du inspiserer og vedlikeholder barnas produkt for å sikre sikkerheten deres.

⚠ ADVARSEL: FORELDREKONTROLLBRYTER MED HØY/LAV (HIGH/LOW) FART: Crazy Cart Shift har en fartsbryter som regulerer HØY til LAV fart. Denne kan manuelt stilles inn av foreldrene før barnet kjører. Bryteren gjør at foreldre kan redusere Crazy Cart Shift sin fart for nybegynnere.

Produsenten anbefaler en minimumsalder på 8 år ved en innstilling med HØY fart og 6 år ved en innstilling med LAV fart. Standardinnstillingen er HØY.

⚠ ADVARSEL: IKKE FOR BARN UNDER 6 ÅR GAMMEL ELLER SOM ER TYNGRE ENN 54 KG. Fordi produkter som Crazy Cart Shift utgjør potensielle farer i forbindelse med bruken, er det anerkjent at BEHOVET FOR Å UTØVE FORELDREANSVAR VED VALG AV KJØREPRODUKT SOM ER PASSENDE FOR BARNETS ALDER OG FORELDREOPPSYN I SITUASJONER HVOR BARN I FORSKJELLIGE ALDRE KAN HA TILGANG TIL SAMME KJØREPRODUKT ER VIKTIG. Alle produkter er ikke egnet for enhver alder eller størrelse, og forskjellige aldersanbefalinger finnes i denne produktkategorien som skal gjenspeile farens natur og forventede mentale og fysiske evner en kjører trenger for å takle farene.

Razor anbefaler at barn under 6 år ikke får tillatelse til å bruke dette produktet. Denne anbefalingen er ikke kun basert på alder, vekt og høyde – den gjenspeiler en vurdering av forventet modenhet og ferdigheter samt fysisk størrelse. Den anbefalte alderen for kjøreren på 6 år eller eldre er kun en beregning og kan påvirkes av kjørerens størrelse, vekt eller ferdigheter – produktet er ikke egnet for alle barn på 6 år. Enhver kjører som ikke klarer å passe komfortabelt i Crazy Cart Shift bør virkelig ikke forsøke å kjøre den, men **foreldres avgjørelse om å la barnet kjøre dette produktet skal være basert på barnets modenhet, ferdigheter og egne til å følge regler.** Razor legger vekt på at voksne rådes på det sterkeste til å ikke velge å overse Razors anbefalinger eller la yngre barn kjøre Crazy Cart Shift.

IKKE OVERSKRID VEKTGRENSEN PÅ 54 kg. Det er ikke kun kjørerens vekt som betyr at en persons størrelse passer for å passe eller holde kontroll over Crazy Cart Shift. Hold dette produktet unna små barn og husk at dette produktet kun er tilsiktet bruk av personer som er, som et minimum, fullstendig komfortable og kompetente når de bruker produktet.

Personer med eventuelle mentale eller fysiske tilstander som kan gjøre dem følsomme for skader, hemmer den fysiske dyktigheten eller mentale evner til å gjenkjenne, forstå og følge sikkerhetsinstruksjoner og til å være i stand til å forstå farene i forbindelse med bruk av produktet kan ikke bruke eller få tillatelse til å bruke produkter som er upassende for evnene deres. Personer med hjerteproblemer, lidelse i nakke, rygg eller hode (eller før kirurgi på noen av de stedene) og gravide kvinner bør advares mot å betjene dette produktet.

MERKNAD: Denne håndboken inneholder mange advarsler og varsel vedrørende konsekvenser ved manglende vedlikehold, inspeksjoner eller ordentlig bruk av det elektriske kjøretøyet. Fordi enhver ulykke kan føre til alvorlig personskade og i ytterste konsekvens dødsfall, gjentar vi disse advarslene om personskade og dødsfall i alle passende sammenhenger.

KONTROLL OG VEDLIKEHOLD

Før bruk – kontroller og bekreft at alle deksler og skjermjer er på plass og i god stand. Kontroller at alle deler virker som de skal, at hjulet ikke er nedslitt eller trenger å byttes ut. Crazy Cart Shift må vedlikeholdes og repareres i henhold til produsentens spesifikasjoner, der du kan godkjenne reservedeler fra produsenten kan brukes, og den skal ikke endres fra produsentens opprinnelige design og struktur. Skift ut slitte eller ødelagte deler umiddelbart.

⚠ ADVARSEL: SIKKER BETJENING KREVER ÅRVÅKENHET. Dette produktet har ikke en vanlig bremse – stopper er gjort ved bruk av gasspedalen og styring. Les «**Howdan betjeneseksjonen i denne håndboken, og øv for å utvikle ferdighetene ved bruk av Crazy Cart Shift.**»

- Sjekk og overhold alltid lokale lover og forskrifter som kan påvirke stedene den elektriske Crazy Cart Shift kan brukes. Crazy Cart Shift er ment til å brukes på privat eiendom og på lukkede baner, ikke på offentlige gater og fortaut. Ikke kjør det elektriske produktet i områder der det er fotgjengere og trafikk.
- Ikke sett startknappen for Crazy Cart Shift til **ON (PÅ)** eller trykk ned/aktiver gasspedalen med mindre du sitter og er i et trygt utendørs område som er egnet for kjøring. Sett alltid startknappen til **OFF (AV)** før du går ut av Crazy Cart Shift.
- Hold fingre og andre kroppsdeler unna motoren, styresystemet, hjul og alle andre deler som kan settes i bevegelse.
- Hold på rattet til enhver tid. Ikke berør hjulmotoren på Crazy Cart Shift mens den er i bruk eller rett etter at den har blitt kjørt. Dette fordi at delene kan bli svært varme.
- Kjør forsiktig. Se opp for mulige hindringer som kan komme i kontakt med hjulene eller som kan forårsake plutselig dreie til siden eller tap av kontroll. Vær forsiktig så du unngår fotgjengere, rullebrett, sykler, barn og dyr som kan komme i veien, og respekt andre rettigheter og eiendommer.
- Dette produktet ble produsert for ytelse og slitestyrke, men det tåler ikke alt. Ved å treffe gjenstander eller ved aggressiv kjøring kan føre til overbelastning eller skade på ethvert produkt, også Crazy Cart Shift, og kjøreren påtar seg all risiko som er knyttet til stressende aktiviteter. Dette produktet er ikke en «krasj- eller radiobil».
- Aldri ha passasjerer og tillatt aldri at mer enn én person kan kjøre det elektriske produktet om gangen.
- Bruk aldri hodetelefoner eller mobiltelefon når du kjører. Få aldri haik fra et annet produkt.
- Ikke kjør Crazy Cart Shift i vått eller iskaldt vær og senk aldri Crazy Cart Shift i vann siden de elektriske komponentene og drivverket kan skades av vann eller skape andre usikre forhold.
- Våte, sleipe, humpete, ujevne eller harde overflater kan øke



risikoen. Ikke kjør det elektriske produktet i gjørme, is, sølepytter eller vann. Unngå høy fart når du kjører i nedoverbakker. Unngå risikoer for å skade overflater som tepper eller gulv ved å bruke et elektrisk produkt innendørs.

- Bruk aldri i nærheten av trapper eller svømmebasseng.
- Ikke kjør om natten eller med begrenset sikt.
- Du kan se personer på TV eller i videoer som gjør stunts eller triks med Crazy Cart Shift. Dette er personer som har trent lenge og som godtar risikoen ved å gjøre triks. Ikke anta at du kan gjøre de samme triksene uten stor fare.
- Vær forsiktig og kjenn egne begrensinger. Risiko for skade øker i takt med hvor vanskelig kjøringen er. Kjøreren påtar seg all risiko ved aggressiv kjøring.

Passelig kjøreholding

Bruk alltid riktig beskyttelsesutstyr sånn som en godkjent hjelm (med hakestropp godt spent). En hjelm kan være påbudt ifølge lokale lover eller forskrifter i området ditt. I tillegg anbefales albue- og knebeskyttelse, en langmet skjorte, langbukser og hansker. Bruk alltid sportsko (snøresko med gummisåler), kjør aldri barbeint eller i sandaler og hold skolisser knyttet og unna hjulene, motoren og drivverket.

Bruk av laderen

- Du må aldri endre på det elektriske systemet. Endringer kan forårsake brann. Bruk av feil type batteri eller lader kan forårsake en eksplosjon.
- FØR HVER BRUK: Lad batteriet i MINST 12 timer.
- Slå av sparkesykkelen etter hver tur. Det kan være at batteriet ikke kan lades hvis sparkesykkelen er på (ON) uten å være i bruk.
- Ikke oppbevar sparkesykkelen på steder med temperaturer under frysepunktet. Kuldegrader kan gjøre permanent skade på batteriet.
- Laderen som følger med Crazy Cart Shift skal regelmessig sjekkes for skade på ledningen, pluggen, innkapslingen og andre deler. I tilfelle slik skade, må ikke Crazy Cart Shift lades før laderen har blitt reparert eller byttet ut.

- Bruk kun en lader som anbefales av Razor.
- Utvis forsiktighet ved lading.
- Laderen er ikke et leketøy. Lader skal kun betjenes av en voksen.
- Ikke bruk laderen i nærheten av brennbare materialer eller en åpen flamme.
- Plugg ut laderen og koble den fra Crazy Cart Shift når den ikke er i bruk.
- Ikke overskrid ladetid.
- Koble alltid Crazy Cart Shift fra laderen før den tørkes eller rengjøres med en fuktig klut.

DERSOM MAN IKKE BRUKER SUNN FORNUFT OG IKKE TAR HENSYN TIL ADVARSLERNE, ØKER RISIKOEN FOR ALVORLIG SKADE. BRUK MED VARSOMHET OG MED NØY ÅRVÅKENHET FOR SIKKER BRUK.

Begrenset garanti:

Denne begrensede garantien er den eneste garantien for dette produktet. Det er ingen andre uttrykkelige eller underforståtte garantier.

Produsenten garanterer at dette produktet er fritt for fabrikkasjonsfeil i en periode på 90 dager fra kjøpsdatoen.

Denne begrensede garantien annulleres hvis produktet noensinne:

- brukes til andre formål enn fritid eller transport;
- modifiseres på noen måte;
- leies ut.



INNEHOLDER ET FORSEGLET OG LEKASJESIKKERT BLYBATTERI. BATTERIET MÅ RESIRKULERES.



⚠ ADVARSEL: Crazy Cart Shift er ikke det samme som en almindelig gokart og stiller derfor **højere krav til føreren end en almindelig gokart**. Crazy Cart Shift er beregnet til at foretage bevægelser lige ud, baglæns, til siden og i glidende buer ja endog til at dreje rundt i cirkler- og i stedet for en almindelig bremse, **bruger den funktioner, der muliggør omgående stop og bremsning**. Det er meget vigtigt, at **stærke forsigtigt og give dig tid til at blive fortrolig** med Crazy Cart Shifts enestående retningskontrol og bremsegenskaber, inden du forsøger at foretage skarpe sving eller på anden måde forsøger at udnytte alle Crazy Cart Shifts egenskaber fuldt ud. **Anvendelse af dette produkt kræver et stort åbent areal uden trafik eller andre forhindringer.**

⚠ ADVARSEL: Kørsel på et elektrisk køretøj indebærer altid en risiko. Visse omstændigheder kan forårsage at udstyret svigter uden at det er producentens fejl. Ligesom andre elektriske køretøjer, kan brugen af Crazy Cart Shift indebære en risiko for at miste herredømmet, falde af eller komme i en farlig situation, som ikke er mulig at undgå. Hvis uheldet er ude kan føreren komme alvorligt til skade eller i værste fald miste livet selv om vedkommende anvender sikkerhedsudstyr. ANVEND PÅ EGET ANSVAR OG BRUG SUND FORNUFT.

⚠ ADVARSEL: NØDVENDIGHEDEN AF FORÆLDER- OG VOKSENANSVAR OG SUPERVISION: Denne manual indeholder vigtige sikkerhedsoplysninger. Det er dit ansvar at gennemgå denne information og sørge for, at alle førere forstår samtlige advarsler, sikkerhedsforanstaltninger, instruktioner og sikkerhedsemner og at de yngste førere er i stand til at betjene køretøjet på en forsvarlig måde. Razor anbefaler, at du jævnligt gennemgår og fremhæver betydningen af disse oplysninger i denne manual med de yngste førere og at du kontrollerer og vedligeholder produktet for at sikre førerens sikkerhed.

⚠ ADVARSEL: FORÆLDERKONTROLLERER HØJ/LAV (HIGH/LOW) HASTIGHEDSKONTAKT: Crazy Cart Shift er udstyret med en HØJ/LAV hastighedskontakt, der kan manuelt indstilles af en voksen inden børn benytter den. Denne kontakt muliggør at forældre kan reducere Crazy Cart Shift hastigheden for unge førere.

Producenten anbefaler en minimumsalder på 8+ år i indstillingen HØJ og 6+ år i indstillingen LAV. Standardindstillingen er HØJ.

⚠ ADVARSEL: IKKE EGNET TIL BØRN UNDER 6 ÅR ELLER SOM VEJER OVER 54 KG. Eftersom produkter som Crazy Cart Shift udgør potentielle risici i forbindelse med betjeningen, er det vigtigt AT EN VOKSEN ER ANSVARLIG FOR AT UDVALGE ET KØRETØJ DER PASSER TIL BARNETS ALDER, ELLER AT EN VOKSEN HOLDER ØJE MED BARNET I SITUATIONER HVOR BØRN PÅ FØRSKELLIGE ALDERSTRIN HAR ADGANG TIL DET SAMME KØRETØJ. Det er ikke alle produkter, der passer til ethvert alderstrin eller barnets størrelse, derfor findes der forskellige anbefalinger i denne produktkategori, der er beregnet til at afspejle farens karakter og den forventede mentale eller fysiske evne eller begge, når det gælder førerens evner til at håndtere farlige situationer.

Razor fraråder at børn under 6 år bruger køretøjet. Denne anbefaling er ikke alene baseret på barnets alder, vægt eller højde men den afspejler en overvejelse der handler om modenhed og evner såvel som fysik. Den anbefalede minimumsalder på 6 år er blot en vejledning og den varierer afhængig af førerens størrelse, vægt og evner. Det er ikke alle børn på 6 år som vil være egnede til dette køretøj. Det er indlysende, at en fører som ikke passer ordentligt i en Crazy Cart Shift ikke burde betjene den **men den voksnes afgørelse skal baseres på om hvorvidt barnet er modent, har evner og er i stand til at overholde regler**. Razor lægger vægt på, at den ansvarlige voksen ikke tilsidesætter Razors anbefalinger og tillader et yngre barn at bruge en Crazy Cart Shift.

UNDLAD AT OVERSKRIDE VÆGTGRÆNSEN PÅ 54 kg. Førerens vægt alene betyder ikke nødvendigvis at den pågældende person er egnet til at betjene en Crazy Cart Shift. Opbevar dette produkt utilgængeligt for små børn og husk at dette køretøj udelukkende er beregnet til personer, der som minimum er fuldstændig komfortable og kompetente under betjening af udstyret.

Personer med et mentalt eller fysisk handicap, der kan bevirke at de er mere udsat for uheld, eller som påvirker deres fysiske behændighed eller mentale evner til at erkende, forstå og følge sikkerhedsforanstaltninger og være i stand til at forstå de implicerede risici i forbindelse med betjeningen af et produkt, bør ikke anvende eller få lov til at betjene produkter der er uegnede for dem. Personer med hjertesygdomme, hoved-, ryg- eller nakkelidelser (eller som tidligere har gennemgået operation for disse lidelser), eller gravide kvinder skal frarådes at betjene køretøjet.

BEMÆRK: Denne manual indeholder mange advarsler og forholdsregler vedrørende manglende udførelse af vedligeholdelse, inspektion og forsvarlig anvendelse af dit elektriske køretøj. Eftersom ethvert uheld kan resultere i alvorlig personskade eller død, har vi valgt ikke at gentage advarsler hver eneste gang der er en risiko, men vi ønsker at gøre opmærksom på farene.

KONTROL OG VEDLIGEHOLDELSE

Inden produktet tages i brug, skal du kontrollere at alle afskærmninger samt andre beskyttelsesværn er på plads og at de fungerer korrekt. Kontroller at delene er fuldt funktionsdygtige, og at det store hjul ikke er slidt og skal udskiftes. Crazy Cart Shift skal vedligeholdes og repareres i overensstemmelse med producentens specifikationer, udelukkende ved hjælp af originale reservedele og der må ikke foretages ændringer af nogen art på køretøjet. Udskift omgående slidte eller defekte dele.

⚠ ADVARSEL: SIKKER BETJENING FORUDSÆTTER OMHYGGELIG OPMÆRKSOMHED. Dette køretøj er ikke udstyret med en traditionel bremse. Man stander ved at bruge speederen og rattet. **Se afsnittet "Betjening" i denne manual og øv dig på færdigheder med at betjene din Crazy Cart Shift.**

- **Du skal altid kontrollere og overholde lokale love og vædttager, der kan påvirke stederne hvor du må benytte din Crazy Cart Shift.** Din Crazy Cart Shift er beregnet til brug på privat ejendom og på lukkede arealer og ikke på offentlige veje eller fortove. Du må ikke bruge dit elektriske køretøj på steder, hvor der er forgængere eller køretøjer til stede.
- Du må ikke starte din Crazy Cart Shift ved at dreje startkontakten hen på positionen **ON (TÆND)** eller træde på/aktivere speederen med mindre du befinder dig på et sikkert udstændørs areal, der er velegnet til kørsel. Husk altid at dreje startkontakten hen på positionen **OFF (SLUK)** inden du forlader din Crazy Cart Shift.
- Hold dine fingre og andre kropsedele væk fra motoren, rattet, hjulene samt andre bevægelige dele.
- Hold altid hænderne på rattet under kørsel. Du må ikke røre ved navmotoren på din Crazy Cart Shift når den er i brug eller umiddelbart efter da disse dele kan blive meget varme.
- Kørsel forsvarligt. Hold øje med potentielle forhindringer, der kunne få køretøjets hjul til at sidde fast eller tvinge dig til at dreje pludseligt eller miste herredømmet. Pas på og undgå steder hvor fodgængere, skatere, skateboards, scootere, cykler, børn og hunde kan komme i vejen og respekter andre personers rettigheder og ejendom.
- Dette produkt er fremstillet til varig ydelse og holdbarhed men det er ikke umodtageligt for skader. Hvis du kører ind i forhindringer eller kører aggressivt risikerer du at køretøjet bliver beskadiget indbefattet Crazy Cart Shift, og dette sker på førerens eget ansvar. Du må ikke anvende køretøjet som en "radiobil".
- Lad aldrig mere end én person ad gangen køre på dit elektriske produkt.
- Brug aldrig hovedtelefoner eller mobiltelefon under kørslen. Du må ikke være passager på et køretøj.



- Du må ikke bruge din Crazy Cart Shift i regnvejr eller frostvej, og du må aldrig nedsænke dit køretøj i vand, da de elektriske og bevægelige dele kan tage skade af vand eller forårsage andre farlige situationer.
- Våde, glatte, ujævne eller hullede overflader øger risikoen for uheld. Du skal ikke bruge dit elektriske køretøj i mudder, på is, eller i vand. Undgå høje hastigheder i forbindelse med kørsel ad bakke. Du skal aldrig risikere at beskadige overflader, såsom gulvtæpper eller gulvbelægninger ved at benytte køretøjet indendørs.
- Brug aldrig produktet i nærheden af trapper eller swimmingpools.
- Lad være med at køre om natten, eller når sigtbarheden er nedsat. Du har måske set personer i tv eller på video som udførte stunts og ekstreme handlinger med en Crazy Cart Shift. Disse individer har øvet sig i lang tid og de er villige til at acceptere de risici der er forbundet med at udføre sådanne stunts. Du må ikke forvente, at du kan lave de samme tricks uden at udsætte dig selv for fare.
- Vær forsigtig og kend dine egne begrænsninger. Faren for personskaade øges i takt med sværhedsgraden af de forskellige tricks. Alle risici i forbindelse med aggressive køreaktiviteter er på førerens eget ansvar.

Passende påklædning under kørsel

Anvend altid passende sikkerhedsudstyr indbefattet en godkendt styrthjelm (med hagestrop fastgjort). En hjelm kan være lovbeholdt ifølge lokal lovgivning eller lokale regler. Derudover anbefales det at bruge knæbeskyttere, en langærmet bluse, lange bukser og handsker. Brug altid gummissko (sko med snørebånd og gummissåler), hvis du aldrig barfodet eller med sandaler og sørg for at holde snørebånd væk fra hjulene, motoren og de bevægelige dele.

Sådan bruges opladeren

- Forsøg aldrig at lave om på det elektriske system. Ændringer kan forårsage brand. Brug af forkert type batteri eller oplader kan føre til eksplosion.
- INDEN BRUG HVER GANG: Oplad batteriet MINDST 12 timer før brug.
- Sluk batteriet efter hver tur. Batteriet kan muligvis ikke genoplades, hvis det står på "ON" (tændt), når løbehjulet ikke er i brug.
- Opbevar ALDRIG batteriet ved temperaturer under frysepunktet! Temperaturer under frysepunktet beskadiger batteriet permanent.

- Den medfølgende oplader til Crazy Cart Shift bør kontrolleres med jævne mellemrum for skader på ledningen, stikket, indkapslingen samt andre dele. I tilfælde af skader må du ikke benytte din Crazy Cart Shift oplader før opladeren er blevet repareret eller udskiftet.
- Brug kun en oplader, der anbefales af Razor.
- Vær forsigtig under opladning.
- Opladeren er ikke legetøj. Opladningen skal foretages af en voksen.
- Opladeren må ikke benyttes i nærheden af brændbare materialer eller åben ild.
- Træk stikket til opladeren ud af din Crazy Cart Shift når den ikke er i brug.
- Sørg for at overholde opladningstiden.
- Afbryd altid forbindelsen mellem din Crazy Cart Shift og opladeren, inden den tørres af eller rengøres med en fugtig klud.

HVIS IKKE OVENSTÅENDE ADVARSLER OVERHOLDES SAMT SUND FORNUFT BLIVER ANVENDT, ØGES RISIKOEN FOR ALVORLIG PERSONSKADE. BETJEN MED PASSENDE FORSİGTİGHED OG SØRG FOR AT BENYTTES PÅ EN FORSVARLIG MÅDE.

Garantibegrænsning:

Denne begrænset garanti er den eneste garanti gældende for dette produkt. Der findes ingen andre udtrykkelige eller underforståede garantier.

Producenten garanterer at dette produkt ikke er behæftet med fabriksfejl i en periode på 90 dage fra købstidspunktet. Den begrænset garanti bortfalder hvis produktet nogensinde bliver:

- anvendt til et andet formål end det oprindelige;
- ændret på nogen måde;
- udlejet.



INDEHOLDER INDKAPSLET IKKE SPILDBART BLYHOLDIGT BATTERI. BATTERIET SKAL BORTSKAFFES TIL GENBRUG.

VAROITUS: Crazy Cart Shift ei ole "tavallinen" mikroauto ja siksi sen ajaminen voi **edellyttää enemmän taitoa kuin tavallisella mikroautolla ajaminen**. Crazy Cart Shift on suunniteltu mahdollistamaan liike eteenpäin, taaksepäin, sivuttain, driftaus ja jopa kääntymään ympyrää - lisäksi "**perinteisen**" jarrun sijasta se käyttää näitä ominaisuuksia mahdollistamaan erittäin nopean pysähtymisen ja jarrutuksen. On erittäin tärkeää aloittaa hitaasti ja tutustua rauhallisessa Crazy Cart Shift -tuotteen ainutlaatuisiin ohjauksia jarrutusominaisuuksiin, ennen kuin yrität nopeita käännöksiä tai muita nopeita liikkeitä, tai yrität muuten hyödyntää Crazy Cart Shift -tuotteen ominaisuuksia täysimääräisesti. **Tämän tuotteen käyttäminen edellyttää tasaista avointa tilaa, jossa ei ole liikennettä tai muita esteitä.**

VAROITUS: Sähköisillä tuotteilla ajaminen voi olla vaarallista. Tietyt olosuhteet saattavat aiheuttaa laiteongelmia, joista valmistaja ei ole vastuussa. Muiden sähköisten ajettavien tuotteiden tavoin Crazy Cart Shift on tarkoitettu liikkumaan ja siksi on mahdollista menettää ohjaus, pudota ja / tai joutua vaarallisiin tilanteisiin varovaisuudesta, ohjeiden noudattamisesta ja kokemuksesta huolimatta. Jos tällaisia asioita tapahtuu, kuljettajia voi loukkaantua vakavasti tai mahdollisesti kuolla, vaikka turvavarusteita käytettäisiin ja varotoimia noudatettaisiin. **KÄYTTÄJÄ KÄYTTÄÄ TUOTETTA JÄRKEVÄSTI JA OMALLA VASTUULLA.**

VAROITUS: VANHEMPIEN JA AIKUISTEN VASTUUA JA VALVONTA ON TARPEEN: Tämä käyttöohje sisältää tärkeitä tietoja turvallisuudesta. Käyttäjän vastuulla on tarkistaa nämä tiedot ja varmistaa, että kaikki kuljettajat ymmärtävät kaikki varoitukset, ohjeet ja turvallisuusaiheet, ja vakuuttaa, että nuoret kuljettajat voivat käyttää tätä tuotetta turvallisesti ja vastuullisesti. Razor suosittelee, että tarkistat ja vahvistat säännöllisesti tämän ohjeen tiedot, jotka liittyvät nuoriin kuljettajiin, ja että tarkastat lasten tuotteen ja ylläpidät sitä heidän turvallisuutensa takaamiseksi.

VAROITUS: VANHEMPIEN HALLITTAVA HIGH/LOW-NOPEUSKYTKIN: Crazy Cart Shiftissä on HIGH-LOW-nopeuskytkin, jonka aikuinen voi asettaa käsin ennen kuin lapset ajavat autolla. Tämä kytkin antaa vanhemmille mahdollisuuden alentaa Crazy Cart Shiftin nopeutta aloitteleville käyttäjille.

Valmistajan ehdottama vähimmäisajokäyttö on 8 vuotta HIGH-nopeusasetuksella ja 6 vuotta LOW-nopeusasetuksella. Oletusasetus on HIGH.

VAROITUS: EI SOVELLU ALLE 6-VUOTIAILLE LAPSILLE TAI YLI 54 KG PAINAVILLE KULJETTAJILLE. Koska Crazy Cart Shift -tuotteiden tapaisten tuotteiden käyttöön liittyy vaaroja, VANHEMPIEN VASTUULLA ON VALITTA LAPSEN IKÄÄN SOVELTUVA TUOTE TAI VANHEMMAN ON VALVOTTAVA LAPSIA TILANTEISSA, JOISSA ERI-ikäiset lapset saattavat käyttää samaa tuotetta. Jotkin tuotteet eivät sovellu kaikenikäisille tai -kokoisille lapsille -tälle luokalle on määritetty eri ikäsuosituksia, joiden tarkoituksena on vastata vaarojen luonnetta ja odotettua ajajan henkistä ja / tai fyysistä kykyä selviytyä vaaroista.

Razor suosittelee tämän tuotteen ikärajaksi 6 vuotta. Tämä suositus ei perustu pelkästään ikään, painoon tai pituuteen - se koskee myös oletettua kypsymystä ja taitoja sekä fyysistä kokoa. Suositeltu vähintään 6-vuotias kuljettaja on vain arvio ja kuljettajan soveltuvuuteen voi vaikuttaa hänen koko, paino ja taidot - tuote ei sovellu kaikkien 6-vuotiaiden käytettäväksi. Kuljettajien, jotka eivät istu mukavasti Crazy Cart Shift -tuotteen päällä, ei pidä yrittää ajaa sitä. **On vanhemman vastuulla antaa lapsen ajaa tätä tuotetta perustuen lapsen kypsymyteen, taitoon ja kykyyn noudattaa sääntöjä. Razor korostaa, että aikuisten ei pidä jättää Razorin suosituksia huomioimatta tai sallia nuorten lasten ajaa Crazy Cart Shift -tuotteella.**

ÄLÄ YLITÄ 54 KG:N PAINORAJAA. Pelkkä kuljettajan paino ei välttämättä yksin tarkoita, että henkilön koko on sopiva Crazy Cart Shift -tuotetta ja sen hallintaa varten. Pidä tämä tuote poissa pienten lasten ulottuvilta ja muista, että tämä tuote on tarkoitettu ainoastaan henkilöille, jotka kykenevät käyttämään tuotetta mukavasti ja pätevästi.

Henkilöt, joiden henkiset tai fyysiset kyvyt saattavat altistaa vahingoille, vahingoittaa heidän fyysistä taitavuutta tai henkistä toimintakykyä tunnista, ymmärtää ja noudattaa turvallisuusohjeita ja pysty ymmärtämään tuotteen käyttöön liittyviä vaaroja, ei pitäisi käyttää tuotteita, jotka eivät vastaa heidän kykyään. Henkilöitä, joilla on sydänsairauksia, pää-, selkä- tai niskavaivoja (tai ennen näille kehon alueille suoritettavia leikkauksia) ja raskaana olevia naisia on varoitettava olemaan käyttämättä tätä tuotetta.

HUOMIO: Tämä käsikirja sisältää monia varoituksia ja varotoimia liittyen ajettavan sähköisen tuotteen ylläpidoon, tarkastukseen tai oikean käytön laiminlyöntiin aiheutuviin seurauksiin. Koska kaikki onnettomuudet voivat johtaa vakavaan loukkaantumiseen tai jopa kuolemaan, varoitusta mahdollisesta vakavan loukkaantumisen tai kuoleman mahdollisuudesta ei toisteta joka kerta kun tällainen mahdollisuus on mainittu.

TARKASTA JA YLLÄPIDÄ

Varmista ennen käyttöä, että kaikki suojat ja muut suojat tai suojukset ovat paikallaan ja kunnossa. Varmista ennen käyttöä, että jarru toimii oikein ja että renkaissa on tarpeeksi ilmaa ja riittävästi kulutus pintaa jäljellä. Huolla ja korjaa Crazy Cart Shift -tuotetta vain valmistajan erittelyn mukaisesti, käytä vain valmistajan hyväksymiä varaosia, äläkä muokkaa tuotetta poikkeamaan valmistajan alkuperäisestä suunnittelusta ja kokoonpanosta. Vaihda kuluneet tai rikkoutuneet osat heti.

VAROITUS: TURVALLINEN KÄYTTÖ VAATII ERITYISHUOMIOTA. Tässä tuotteessa ei ole perinteistä jarrua - pysähtyminen tehdään käyttämällä kaasupoljinta ja ohjausta. Lue tämän käsikirjan "Kuinka käyttää"-osa kehittääksesi Crazy Cart Shift -tuotteen käyttöaitoja.

- Tarkista aina paikalliset lait tai asetukset, jotka voivat vaikuttaa paikkoihin, joissa Crazy Cart Shift tuotetta voidaan käyttää. Crazy Cart Shift on tarkoitettu käytettäväksi yksityisalueilla ja suljetuilla alueilla eikä julkisilla kaduilla tai jalkakäytävillä. Älä aja sähkökäyttöisellä tuotteella alueilla, joissa on jalankulkijoita tai ajoneuvo liikennettä.
- Älä käännä Crazy Cart Shift -tuotteen virtakytkintä ON (PÄÄLLE) tai paina/aktivoi kaasupoljinta ellet istu turvallisessa ulkoympäristössä, joka sopii ajoa varten. Kytke aina virtakytkin asentoon OFF (POIS PÄÄLTÄ) ennen kuin poistut Crazy Cart Shift -tuotteesta.
- Pidä sormet ja muut ruumiinosat erossa moottorista, ohjausjärjestelmästä, pyöristä ja kaikista muista liikkuvista osista.
- Pidä ohjauspöyrästä aina kiinni. Älä kosketa Crazy Cart Shiftin moottoria käytön aikana tai heti ajon jälkeen, koska nämä osat voivat kuumentua huomattavasti.
- Aja varovaisesti. Varo mahdollisia esteitä, jotka voivat osua pyöriin tai pakottaa sinut suistumaan yhtäkkiä tai menettämään hallinnan. Varo jalankulkijoita, luistelijoita, rullalautailijoita, polkupyöriä, lapsia tai eläimiä, jotka voivat tulla tielle ja kunnioita toisten oikeuksia ja omaisuutta.
- Tämä tuote on valmistettu suorituskykyiseksi ja kestäväksi, mutta se ei täysin suojattu vahingoilta. Esteisiin törmäilyminen tai muu aggressiivinen ajo voi ylikuormittaa ja vahingoittaa mitä tahansa tuotetta, kuten Crazy Cart Shift -tuotetta, ja ajaja on vastuussa kaikesta stressaavasta toiminnasta. Tämä tuote ei ole "törmäilyauto."
- Älä koskaan anna useamman kuin yhden henkilön ajaa tätä sähkötuotetta kerrallaan.
- Älä koskaan käytä kuulokkeita tai matkapuhelinta ajassasi. Älä koskaan kyyditse muita tuotteita.



- Älä aja Crazy Carti Shift -tuotteella märällä tai jäisellä kelillä äläkä koskaan upota Crazy Cart Shift -tuotetta veteen, koska vesi voi vaurioittaa sähkö- ja ohjauskomponentteja tai luoda muita mahdollisesti vaarallisia vikoja.
- Märkä, liukas, kuoppainen, epätasainen tai karkea pinta voi lisätä onnettomuusriskiä. Älä aja tällä sähkötuotteella mudassa, jäällä, lätäköissä tai vedessä. Vältä liiallista nopeutta alamäessä. Älä koskaan vaurioita pintoja, kuten mattoa tai lattiaa, käyttämällä sähköistä tuotetta sisätiloissa.
- Älä aja portaiden tai uima-altaiden lähellä.
- Älä käytä tuotetta öisin tai jos näkyvyys on heikko.
- Saatat nähdä Crazy Cart Shift -tuotteella suoritettuja stunteja ja temppeja televisiossa tai videoilla. Nämä ihmiset ovat harjoitelleet pitkään ja he hyväksyvät temppeujen riskit. Älä oleta, että voit yrittää tehdä samoja temppeja ilman suurta riskiä.
- Ole varovainen ja tunne rajasi. Loukkaantumisasi riski kasvaa sitä ajovaikeuden lisääntyessä. Ajaja on vastuussa aggressiivisesta ajosta.

Oikeat ajotarvikkeet

Käytä aina asianmukaisia suojavarusteita, kuten hyväksyttyä suojakypärää (jonka leukahihna on kiinnitetty turvallisesti). Paikallinen laki tai säädös voi velvoittaa käyttämään kypärää. Lisäksi suositellaan käytettäväksi kyynärsuojia ja polvisuojia sekä pitkähihaista paitaa, pitkiä housuja ja suojakäsineitä. Käytä aina urheilujalkineita (nauhakenkiä, joissa on kumipohjat), älä koskaan ajaa paljain jaloin tai käytä sandaaleja, ja pidä kengännauhat sidottuna ja erossa pyöristä, moottorista ja voimansiirtäjärjestelmästä.

Laturin käyttäminen

- Älä koskaan tee muutoksia sähköjärjestelmään. Muutokset voivat aiheuttaa tulipalon. Väärin tyypin akun tai laturin käyttäminen voi aiheuttaa räjähdyksen.
- ENNEN JOKAISTA KÄYTTÖÄ: Lataa akkua VÄHINTÄÄN 12 tuntia.
- Ota pois päältä jokaisen käyttökerran jälkeen. Akku ei välttämättä lataudu, jos sitä ei käytetä ja se on jätetty ON (päällä) -asentoon.

- Älä säilytä akkua pakkasessa. Pakkanen vahingoittaa akkua pysyvästi.
- Sähköisen Crazy Cart Shift -tuotteen mukana toimitettu laturi pitää tarkastaa säännöllisesti johdon, pistokkeen, kotelon ja muiden osien vahinkojen varalta. Tällaisen vahingon ilmetessä Crazy Cart Shift -tuotetta ei saa ladata ennen kuin laturi on korjattu tai vaihdettu.
- Käytä ainoastaan Razorin suosittelemaa laturia.
- Ole varovainen latauksen aikana.
- Laturi ei ole leikkikalu. Laturin käyttäminen on aikuisen tehtävä.
- Älä käytä laturia helposti syttyvien materiaalien tai avotulen lähellä.
- Irrota laturi pistorasiasta ja Crazy Cart Shift -tuotteesta kun sitä ei käytetä.
- Älä lataa sähköpotkulaataa liian pitkään.
- Kytke Crazy Cart Shift aina irti laturista ennen sen pyyhkimistä tai puhdistamista kostealla liinalla.

VAKAVIEN VAMMOJEN RISKI LISÄÄNTYY, JOS ASIAKAS EI KÄYTÄ MAALAISJÄRKEÄ JA NOUDATA VAROITUKSIA. KÄYTTÄ TARPEELLISTA VAROAVISUUTTA JA VAKAVAA HUOMIOTA TURVALLISTA TOIMINTAA VARTEN.

Rajoitettu takuu:

Tämä rajoitettu takuu on tämän tuotteen ainoa takuu. Mitään muita nimenomaisia tai oletettuja takuita ei ole. Valmistajan takaa tämän tuotteen olevan vapaa valmistusvirheistä 90 päivän ajan ostopäivästä. Tämä rajoitettu takuu ei ole voimassa, jos tuotetta:

- käytetään muuhun kuin virkistys- tai kuljetustarkoitukseen;
- muokataan millään tavoin;
- vuokrataan.



SISÄLTÄÄ SULJETUN VUOTAMATTOMAN LVIJYAKUN. AKKU PITÄÄ KIERRÄTTÄÄ.



AVERTISMENT: Crazy Cart Shift nu este identic cu un go-kart „obișnuit”, din această cauză, **pentru conducere poate necesita aptitudini mai dezvoltate decât un go-kart obișnuit.** Crazy Cart Shift este conceput astfel încât să permită mișcarea spre înainte, înapoi, lateral, pe arcuri cu derapaj și chiar pivotarea în cercuri – iar **în locul unei frâne „convenționale”, utilizează aceste caracteristici pentru a permite, de asemenea, oprirea și frânarea foarte rapidă.** Este deosebit de important să **porniți încet și să accordați timp necesar pentru a vă familiariza și a vă obișnui** cu abilitățile unice de control direcțional și de frânare ale dispozitivului Crazy Cart Shift, înainte de a încerca să efectuați viraje rapide și alte manevre de mișcare în viteză sau să încercați în orice alt mod utilizarea în întregime a capacităților Crazy Cart Shift. **Utilizarea acestui produs necesită un spațiu deschis, nivelat, lipsit de trafic sau alte obstacole.**

AVERTISMENT: Conducerea unui produs electric poate fi o activitate periculoasă. Anumite condiții pot duce la defectarea produsului, fără vina producătorului. La fel ca alte produse electrice destinate deplasării, Crazy Cart Shift poate să se miște și este destinat mișcării, existând astfel posibilitatea de a pierde controlul, de a cădea din produs și/sau de a ajunge în situații periculoase pe care nicio precauție, instrucțiuni sau experiență nu le poate elimina. În astfel de situații, există posibilitatea să vă răniți sau să decedați, chiar și atunci când purtați echipament de siguranță și luați alte măsuri de precauție. **FOLOSIȚI PRODUSUL PE PROPRIA RĂSPUNDERE ȘI FOLOSIȚI-L CU GRIJĂ.**

AVERTISMENT: RESPONSABILITATEA ȘI SUPRAVECHEREA DIN PARTEA PĂRINȚILOR ȘI A ADULȚILOR SUNT OBLIGATORII: Acest manual conține informații importante despre siguranță. Vă revine responsabilitatea de a citi aceste informații și a vă asigura că toți utilizatorii înțeleg avertismentele, precauțiile, instrucțiunile și toate problemele ce țin de siguranță și a vă asigura că toți utilizatorii tineri sunt capabili să folosească acest produs în siguranță și în mod responsabil. Razor vă recomandă să revizuiți periodic și să discutați, accentuând importanța informațiilor din acest manual cu utilizatorii minori și să inspectați și să mențineți în bună stare de funcționare produsul copiilor dumneavoastră pentru a asigura siguranța lor.

AVERTISMENT: COMUTATOR DE VITEZĂ MARE/MICĂ (HIGH/LOW), CONTROLAT DE PĂRINTE: Crazy Car Shift are un comutator de viteză MARE-MICĂ, ce se poate seta manual de către un adult, înainte de folosirea produsului de către copil. Acest comutator permite părinților să reducă viteza produsului Crazy Cart Shift pentru începători.

Vârsta minimă recomandată de producător pentru utilizatorii produsului este de 8+ ani pentru setarea de viteză MARE și de 6+ pentru setarea de viteză MICĂ. Setarea implicită este MARE.

AVERTISMENT: NU ESTE INDICAT PENTRU COPILII MAI MICI DE 6 ANI SAU MAI GREI DE 54 KG. Deoarece produsele, cum ar fi Crazy Cart Shift, pot reprezenta și chiar reprezintă riscuri potențiale asociate în mod clar cu utilizarea lor, se admite NECESITATEA EXERCITĂRII RESPONSABILITATEA PARENTALĂ ÎN ALEGEREA PRODUSELOR DE TIP SCUTERE/TROTINETE/ETC. POTRIVITE PENTRU VÂRSTA COPILULUI, SAU SUPRAVECHEREA PARENTALĂ ÎN SITUAȚII ÎN CARE COPILII POT AVEA ACCES LA ACEST TIP DE PRODUSE, ESTE IMPORTANTĂ. Nu orice produs este adecvat pentru vârsta sau înălțimea copilului și există diferite recomandări de vârstă pentru această categorie de produse, al căror scop este de a reflecta natura pericolelor și abilitatea fizică și mentală necesară a copilului pentru a putea evita aceste pericole.

Razor vă recomandă să nu permiteți copiilor mai mici de 6 ani să folosească produsul. Această recomandare nu se bazează doar pe considerente de vârstă sau greutate sau de înălțime, ci reflectă considerăți privitoare la maturitatea și îndemnarea previzibilă, cât și la dimensiunea fizică. Vârsta recomandată de 6 ani sau mai mult a utilizatorului este doar o estimare și această estimare poate fi afectată de dimensiunea, greutatea sau îndemnarea utilizatorului – acest produs poate să nu fie adecvat pentru toți copiii în vârstă de 6 ani. Desigur, orice utilizator care nu reușește să se așeze confortabil pe Crazy Cart Shift nu trebuie să încerce să-l folosească, dar decizia parentală de a-i permite copilului să folosească acest produs trebuie să se bazeze pe maturitatea, îndemnarea și capacitatea copilului de a respecta unele reguli. **Razor subliniază faptul că adulților li se recomandă insistent să nu decidă să ignore recomandările Razor sau să permită copiilor prea mici să folosească produsul Crazy Cart Shift.**

UTILIZATORUL NU TREBUIE SĂ AIBĂ MAI MULT DE 54 KG ÎN GREUTATE. Greutatea utilizatorului nu înseamnă neapărat că dimensiunea unui copil este corespunzătoare pentru a utiliza sau a păstra controlul asupra produsului Crazy Cart Shift. Nu lăsați produsul la îndemâna copiilor prea mici și rețineți faptul că este destinat utilizării numai de către persoane care sunt cel puțin în totalitate obișnuite și competente în utilizarea produsului.

Persoanele cu afecțiuni fizice sau mentale care le fac vulnerabile la leziuni, le diminuează dexteritatea fizică sau capacitatea mentală de a recunoaște, a înțelege și a respecta instrucțiunile de siguranță, precum și capacitatea de a înțelege pericolele inerente utilizării unui produs, nu trebuie să folosească sau să le permită să folosească produse improprie pentru capacitățile lor. Persoanele cu boli cardiace, cu afecțiuni ale capului, spatelui sau gâtului (sau care au suferit intervenții chirurgicale anterioare în aceste zone ale corpului), sau femeile însărcinate trebuie avertizate să nu utilizeze acest produs.

NOTĂ: Acest manual conține numeroase avertismente și precauții privitoare la consecințele neefectuării lucrărilor de întreținere și inspecție sau ale utilizării necorespunzătoare a produsului electric destinat deplasării. Întrucât orice incident poate duce la răniri grave sau chiar deces, nu vom repeta avertismentul referitor la posibila rănire gravă sau la posibul deces de fiecare dată când se menționează o astfel de posibilitate.

VERIFICARE ȘI ÎNȚEȚINERE

Înainte de utilizare, verificați și asigurați-vă că toate capacele de protecție sunt la locul lor și se află în stare bună. Verificați funcționarea corectă a pieselor, dacă roata de antrenare principală nu este uzată și dacă trebuie înlocuită. Produsul Crazy Cart Shift se va întreține și repara în conformitate cu specificațiile producătorului, folosind numai piese de schimb autorizate de producător, fără a se modifica designul și configurația originală a producătorului. Înlocuiți imediat piesele uzate sau deteriorate.

AVERTISMENT: UTILIZAREA ÎN SIGURANȚĂ NECESITĂ ATENȚIE SPORITĂ. Acest produs nu dispune de o frână tradițională – oprirea se face folosind pedala de accelerație și volanul. Citiți secțiunea „Modul de utilizare” din acest manual și exersați manevrele pentru a obține îndemnare în utilizarea produsului Crazy Cart Shift.

- **Întotdeauna verificați și respectați legislația sau reglementările locale privitoare la locurile în care poate fi utilizat produsul Crazy Cart Shift.** Produsul Crazy Cart Shift este destinat folosirii pe proprietățile și pe circuitele private și nu pe căile publice de acces sau pe trotuare. Nu utilizați produsul dumneavoastră electric destinat deplasării în zonele unde se află pietoni sau vehicule în trafic.
- Nu treceți întrerupătorul de alimentare de pe Crazy Cart Shift în poziția **ON (ACTIVAT)** și nu apăsați/activați pedala de accelerație până când nu v-ați așezat în produs și nu vă aflați într-un mediu exterior sigur, adecvat pentru utilizare. Înainte de ieșirea din Crazy Cart Shift, treceți întotdeauna întrerupătorul de alimentare în poziția **OFF (DEZACTIVAT)**.
- Nu vă apropiați degetele și celelalte părți ale corpului de motor, sistemul de direcție, roți și alte componente aflate în mișcare.
- Țineți în permanență mâna pe volan. Nu atingeți motorul butucului de pe produsul Crazy Cart Shift când produsul este în uz sau imediat după folosirea produsului, întrucât aceste piese pot deveni foarte fierbinți.
- Utilizați produsul cu prudență. Atenție la posibilele obstacole în

care puteți prinde roata (roțile) produsului sau care vă pot forța să virați brusc sau să pierdeți controlul asupra vehiculului. Evitați pietonii, skaterii, skateboard-urile, scuterile, bicicletele, copiii sau animalele care vă ies în cale și respectați drepturile și proprietatea celorlalți.

- Acest dispozitiv a fost produs pentru a asigura performanță și durabilitate, însă nu este imun la deteriorări. Lovirea obstacolelor sau alte moduri de utilizare agresivă pot suprasolicita și deteriora orice produs, inclusiv Crazy Cart Shift, iar utilizatorul își asumă toate riscurile asociate cu utilizarea suprasolicitantă. Acest produs nu este o „mașină cu tampoane”.
- Niciodată nu luați pasageri și nu permiteți utilizarea produsului electric de către mai multe persoane simultan.
- Nu utilizați căști sau telefoane mobile atunci când utilizați produsul. Nu vă luați la întrecere cu un alt produs.
- Nu utilizați produsul Crazy Cart Shift pe vreme ploioasă sau pe timp de îngheț și nu scufundați acest produs electric în apă, deoarece componentele electrice și de acționare pot suferi avarii provocate de apă sau pot crea condiții nesigure.
- Suprafețele umede, lucioase, neregulate sau accidentate pot spori riscurile. Nu utilizați acest produs electric pe nămol, gheață, pe suprafețe cu bălți sau apă. Evitați vitezele excesive care pot fi asociate cu utilizarea produsului în coborâre. Nu utilizați produsul electric în casă deoarece puteți deteriora suprafețele, cum ar fi covoarele sau podelele.
- Nu utilizați produsul în apropierea scârilor sau a piscinelor.
- Nu utilizați produsul noaptea sau în condiții de vizibilitate redusă.
- Este posibil să vedeți alte persoane la televizor sau în videoclipuri, efectuând cascadorii sau manevre complicate cu produsul Crazy Cart Shift. Acestea sunt persoane care au o lungă experiență în efectuarea de astfel de manevre și sunt conștiente de riscurile asociate. Efectuarea unor asemenea manevre implică un grad sporit de risc.
- Aveți grijă și cunoașteți-vă limitele. Riscul de accidentare crește odată cu creșterea dificultății manevrelor. Persoana care utilizează produsul își asumă toate riscurile asociate cu activitățile de utilizare agresive.

Ținuta corespunzătoare pentru utilizare

Purtați întotdeauna echipament de protecție corespunzător, cum ar fi cască de siguranță aprobată (fixând adecvat curea sub bărbie). Este posibil ca purtarea căștii de protecție să fie prevăzută de legislația locală. În plus, se recomandă să purtați cotiere și genunchiere, bluză cu mânecă lungă, pantaloni lungi și mănuși. Purtați întotdeauna pantofi sport (pantofi cu șiret și talpă din cauciuc), nu utilizați produsul cu tălpile goale sau în sandale, păstrați șireturile legate și evitați contactul șireturilor cu roțile, motorul și sistemul de acționare.

Utilizarea încărcătorului

- Nu modificați niciodată sistemul electric. Aceste modificări pot cauza incendii. Utilizarea unui tip de acumulator sau încărcător necorespunzător poate cauza o explozie.
- **ÎNAINTEA FIECĂREI UTILIZĂRI:** Încărcați bateria CU CEL PUȚIN 12 ore înainte de utilizare.
- Stingeți bateria după fiecare utilizare. Este posibil ca bateria să nu se poată încărca dacă este lăsată aprinsă fără a fi utilizată.
- NU depozitați la temperaturi scăzute sau de îngheț! Înghețul va deteriora permanent bateria.
- Încărcătorul furnizat împreună cu produsul Crazy Cart Shift trebuie inspectat în mod regulat pentru depistarea oricăror deteriorări ale cablului, ștecărilor, carcasei sau ale altor piese. În cazul unor astfel de deteriorări, produsul Crazy Cart Shift nu trebuie încărcat înainte de repararea sau înlocuirea încărcătorului.
- Utilizați doar încărcătorul recomandat de Razor.
- Atenție când încărcați produsul.
- Încărcătorul nu este o jucărie. Acesta trebuie utilizat de către un adult.
- Nu utilizați încărcătorul în apropiere de materiale inflamabile sau de foc deschis.
- Scoateți încărcătorul din priză și deconectați-l de la produsul Crazy Cart Shift atunci când nu îl folosiți.
- Nu depășiți timpul de încărcare.
- Întotdeauna deconectați produsul Crazy Cart Shift de la încărcător înainte de a-l șterge sau curăța cu ajutorul lichidelor.

NERESPECTAREA REGULILOR DE BUN SIMȚ ȘI A AVERTISEMENTELOR CREȘTE RISCUL ACCIDENTĂRIILOR GRAVE. UTILIZAȚI PRODUSUL CU GRIJA CORESPUNZĂTOARE, ACORDÂND ATENȚIE MAXIMĂ UTILIZĂRII SIGURE.

Garanție limitată:

Garanția limitată este singurul tip de garanție pentru acest produs. Nu există niciun alt fel de garanție explicită sau implicită. Producătorul garantează faptul că acest produs nu conține defecte de fabricație pe o perioadă de 90 de zile de la data achiziției. Această garanție limitată va deveni nulă în cazul în care produsul:

- este utilizat în alte scopuri decât pentru agrement sau transport;
- suferă orice fel de modificări;
- este închiriat.



CONȚINE O BATERIE SIGILATĂ, CU PLUMB-ACID, ERMETICĂ. BATERIA TREBUIE RECLATĂ.

! VÝSTRAHA: Autíčko Crazy Cart Shift nie je rovnaké ako „bežná“ motokára, preto sa na jazdu môžu požadovať lepšie skúsenosti než na jazdu **bežnou motokarou**. Autíčko Crazy Cart Shift je navrhnuté tak, aby umožňovalo pohyb dopredu, dozadu, priečne, v driftovacích oblúkoch a priamo do klopení v kruhoch – **namiesto „bežnej“ brzdy používa na veľmi rýchle zastavenie a brzdenie tieto funkcie**. Je extrémne dôležité **zачаť pomaly a najsť si čas na oboznámenie sa** a natrénovanie jedinečných funkcií ovládania smeru a brzdenia autíčka Crazy Cart Shift; až potom sa pokúšajte o rýchle zatáčky a iné činnosti pri rýchlej jazde alebo skúšajte všetky možnosti, ktoré autíčko Crazy Cart Shift ponúka. **Tento výrobok sa používa na rovnom otvorenom priestranstve bez dopravy a ďalších prekážok.**

! VÝSTRAHA: Jazda na elektrickom výrobku môže byť rizikovou činnosťou. Určité podmienky môžu spôsobiť zlyhanie zariadenia, ktoré nie je spôsobené výrobou chybou. Ako iné elektrické výrobky na jazdenie, aj výrobok Crazy Cart Shift môže byť a je určený na pohyb, preto existuje možnosť straty ovládania, vypadnutia a/alebo vznik nebezpečných situácií, ktoré nedokáže eliminovať žiadna starostlivosť, pokyny alebo skúsenosti. Ak k tomu dôjde, aj napriek používaniu ochranných prostriedkov a iných opatrení sa môžete vážne poraniť alebo môžete zomrieť. **JAZDITE NA SVOJE VLASTNÉ RIZIKO A VYUŽÍVAJTE ŠTANDARDNÝ ÚSUDOK.**

! VÝSTRAHA: VYŽADUJE SA ZODPOVEDNOSŤ A DOZOR RODIČA ALEBO DOSPELÉJ OSOBY: Tento návod obsahuje dôležité bezpečnostné informácie. Je vaša zodpovednosť pozrieť si tieto informácie a zabezpečiť, že všetci jazdci chápu všetky výstrahy, upozornenia, pokyny a bezpečnostné informácie a zabezpečiť, že mladí jazdci sú schopní tento výrobok používať bezpečným a zodpovedným spôsobom. Spoločnosť Razor odporúča, aby ste si pravidelne, spolu s mladými jazdcami pozreli a obnovili informácie uvádzané v tomto návode a aby ste výrobok vášho dieťaťa pravidelne kontrolovali a udržiavali s cieľom zaistiť jeho bezpečnosť.

! VÝSTRAHA: RODIČOM OVLÁDANÝ PŘEPÍNAČ VYSOKEJ/ NÍZKEJ RÝCHLOSTI: Autíčko Crazy Cart Shift je vybavené prepínačom vysokej/nízkej rýchlosti (HIGH-LOW), ktorý môže dospieť osoba nastaviť ešte pred tým, ako bude na autíčku jazdiť dieťa. Tento prepínač umožňuje rodičom znížiť rýchlosť autíčka Crazy Cart Shift pre začínajúcich jazdcov.

Výrobca odporúča nastaviť pre jazdcov starších ako 8 rokov vysokú rýchlosť (HIGH) a pre jazdcov vo veku od 6 rokov nízku rýchlosť (LOW). Predvolenie je nastavené vysoká rýchlosť (HIGH).

! VÝSTRAHA: NEVHODNÉ PRE DETI MLADŠIE AKO 6 ROKOV A ŤAŽIE AKO 54 KG. Pretože výrobok, akým je štvorkolka Crazy Cart Shift, môže a aj predstavuje možné riziká spojené hlavne s jeho používaním, **ZA DÔLEŽITÉ SA POVAŽUJE NUTNOSŤ UPLATNIŤ RODIČOVSKÚ ZODPOVEDNOSŤ PRI VOLBE VÝROBKU NA JAZDENIE, KTORÝ JE VHODNÝ PRE VEK DIEŤAŤA, ALEBO RODIČOVSKÝ DOZOR V SITUÁCIÁCH, V KTORÝCH DETI RÔZNEHO VĚKU MÔŽU ZISKÁŤ PRÍSTUP K ROVNAKÝM VÝROBKOM NA JAZDENIE.** Nie každý výrobok je vhodný pre každý vek alebo postúť dieťaťa a v rámci tejto kategórie výrobkov nájdete rôzne vekové kategórie, ktoré sú určené na poukázanie na charakter riziká a očakávanú duševnú alebo fyzickú schopnosť (alebo obidve) jazdca, aby si v týchto rizikových situáciách dokázal poradiť.

Spoločnosť Razor odporúča, aby deti do veku 6 rokov mali zakázané tento výrobok používať. Toto odporúčenie je založené nielen na veku, hmotnosti alebo výške – odráža aj zohľadnenie očakávanej zrelosti a skúsenosti, ako aj fyzické rozmery. Odporúčaná vek jazdca 6 a viac rokov je len odhadom a môže byť ovplyvnený výškou jazdca, hmotnosťou alebo skúsenosťami – nie každé dieťa vo veku 6 rokov bude na používanie tohto výrobku spôsobilé. Samozrejme, ktorýkoľvek jazdec, ktorý nedokáže v autíčku Crazy Cart Shift pohodlne sedieť, by sa nemal pokúšať na ňom jazdiť, **ale zodpovednosť rodiča, pokiaľ ide o súhlas s jazdením dieťaťa na tomto výrobku, musí byť založená na zrelosti a skúsenostiach dieťaťa ako aj na dodržiavaní pravidiel dieťaťom. Spoločnosť Razor zdôrazňuje a dospelým vrelo radí, aby sa rozhodli dodržiavať odporúčania spoločnosti Razor, a nedovolili mladším deťom na autíčku Crazy Cart Shift jazdiť.**

NEPREKRAČUJTE MAXIMÁLNU HMOTNOSŤ 54 kg. Hmotnosť samotného jazdca neznamená nutne, že veľkosť osoby je vyhovujúca na sedenie vo výrobku a zachovanie kontroly nad štvorkolkou Crazy Cart Shift. Tento výrobok uschovajte mimo dosahu malých detí a zapamätajte si, že tento výrobok je určený len na používanie osobami, ktoré sú minimálne úplne schopné a zodpovedné na používanie výrobku.

Osoby s akýmkoľvek duševným alebo fyzickým stavom, kvôli ktorému možno pripustiť poranenie alebo zhoršenie ich fyzickej obratnosti alebo duševných schopností rozpoznať, pochopiť a dodržiavať bezpečnostné opatrenia a dokážať pochopiť riziká vlastné pre používanie výrobku, by nemali alebo by mali mať zakázané používať výrobok, ktorý nie je pre ne vhodný alebo ich stav vhodný. Osoby so srdcovými ťažkosťami, chorobami ľavby, chrbta alebo krku (alebo osoby, ktoré podstúpili operácie týchto častí tela), ako aj tehotné ženy je nutné upozorniť na to, aby takýto výrobok nepoužívali.

UPOZORNENIE: Tento návod obsahuje mnoho výstrah a upozornení týkajúcich sa následkov opomenutia vykonávať údržbu, kontrolovať a správne používať elektrický výrobok na jazdenie. Pretože akokoľvek nehoda môže mať za následok vážne poranenie alebo aj smrť, neopakujeme výstrahu možného vážneho poranenia alebo smrti zakaždým, keď je táto možnosť spomenutá.

KONTROLA A ÚDRŽBA

Pred použitím skontrolujte a overte, že všetky kryty a chrániče sú na svojom mieste a sú funkčné. Skontrolujte, že diely fungujú správne, že hlavné hnacie koleso nie je opotrebované a nevyžaduje výmenu. Údržba a opravy autíčka Crazy Cart Shift sa musia vykonávať podľa špecifikácií výrobcu, s použitím náhradných dielov, ktoré schválil výrobca, a nesmú byť vykonané úpravy, ktorými dôjde ku zmene originálneho dizajnu a konfigurácie výrobcu. Opotrebované alebo zlomené diely ihneď vymeňte.

! VÝSTRAHA: BEZPEČNÁ PŘEVÁDZKA VYŽADUJE DÔKLADNÚ POZORNOSŤ. Tento výrobok nie je vybavený tradičnou brzdou – **brzdenie sa vykonáva pomocou pedála akcelerátora a riadenia. Prečítajte si časť „Spôsob obsluhy“ tohto návodu, naučte sa a rozvíjajte svoje skúsenosti s používaním autíčka Crazy Cart Shift.**

- **Vždy si pozrite a dodržiavajte miestne zákony a nariadenia, ktoré môžu mať vplyv na miesta, kde sa môže autíčko Crazy Cart Shift používať.** Autíčko Crazy Cart Shift je určené na používanie na privátnych pozemkoch a na uzavretých plochách; nie je určené na používanie na verejných uliciach či chodníkoch. Svojím elektrickým výrobkom nejazdte na miestach, kde sú prítomní chodci, alebo na miestach s verejnou premávkou.
- Kým nebudete vo výrobku sedieť a nebudete v bezpečnom exteriérovom prostredí vhodnom na jazdenie, neprepínajte hlavný vypínač autíčka Crazy Cart Shift do polohy **ON (ZAP)** ani nestláčajte/neaktivujte pedál akcelerátora. Pred opustením autíčka Crazy Cart Shift vždy hlavný vypínač prepnite do polohy **OFF (VYP.)**.
- Prsty a ostatné časti tela majte v dostatočnej vzdialenosti od motora, systému riadenia, kolies a ostaných pohyblivých súčastí.
- Vždy zachovávajte držanie volantu. Nábojového motora autíčka Crazy Cart Shift sa nedotýkajte počas používania ani okamžite po jazde, pretože tieto diely môžu byť veľmi horúce.
- Jazdte defenzívne. Dávajte pozor na potenciálne prekážky, ktoré by ste mohli zachytiť kolesom(ami), ktoré by vás mohli prinútiť náhle uhnúť alebo spôsobiť stratu kontroly. Dávajte pozor a

SK

vyhýbajte sa chodcom, korčuľiarom, skejtbordistom, jazdcom na kolobežkách, cyklistom, deťom alebo zvieratám, ktoré môžu vstúpiť do vašej trasy, a rešpektujte práva a majetok ostatných.

- Tento produkt bol navrhnutý na dosiahnutie výkonu a trvanlivosti, no nie je odolný voči poškodeniu. Nárazy na prekážky alebo agresívna jazda môžu nadmerne namáhať a poškodiť akýkoľvek výrobok vrátane autička Crazy Cart Shift a jazdec preberá celú zodpovednosť za všetky riziká spojené s činnosťou spôsobujúcou vysoké namáhanie. Tento výrobok nie je „autičkom z autodrómu“.
- Nikdy neprevádzajte spolujazdcov ani nedovoľte, aby na elektrickom výrobku naraz jazdila viac než jedna osoba.
- Počas jazdy nikdy nepoužívajte slúchadlá ani mobilný telefón. Nikdy nejazdíte v závese za iným výrobkom.
- Autičkom Crazy Cart Shift nejazdíte počas mokrého alebo mrazivého počasia a tento elektrický výrobok nikdy neponárajte do vody, pretože elektrické a hnacie prvky by sa mohli poškodiť, alebo by dôsledkom mohol byť vznik nebezpečných podmienok.
- Mokré, šmyklivé, hrboľaté, nerovné alebo drsné povrchy môžu riziká zvyšovať. Týmto elektrickým výrobkom nejazdíte po blate, lade, mlákach alebo vode. Vyhňte sa nadmerným rýchlostiam, ku ktorým môže dochádzať pri jazde z kopca. Nikdy neriskujte poškodenie povrchu, ako sú koberce alebo podlahové krytiny, používaním elektrického výrobku v interiéri.
- Nikdy nepoužívajte v blízkosti schodov alebo plaveckých bazénov.
- Nejazdíte v noci ani za obmedzenej viditeľnosti.
- V televízii alebo vo videách môžete vidieť, ako niektoré osoby stvárajú na autičku Crazy Cart Shift kaskadérske a žartovné kúsky. Títo ľudia takúto jazdu praktizujú dlhodobo a preberajú na seba riziká jazdy so stváraním rôznych kúskov. Nepredpokladajte, že sa môžete pokúsiť o rovnaké kúsky bez veľkého rizika.
- Dávajte pozor a poznajte svoje hranice a nedostatky. Riziko poranenia sa zvyšuje so zvyšovaním náročnosti jazdy. Jazdec preberá všetky riziká spojené s činnosťami agresívnej jazdy.

Správne oblečenie a vybavenie na jazdenie

Vždy používajte správne ochranné prostriedky, ako je schválená bezpečnostná prilba (s popruhom na bradu správne zaisteným sponou). Používanie prilby môže legislatívne ustanovovať miestny zákon alebo nariadenie vo vašej oblasti. Odporúčame používať chrániče na lakte a kolená, košelu s dlhými rukávmi, dlhé nohavice a rukavice. Vždy používajte atletické obuv (šnúrovacia obuv s gumenou podrážkou), nikdy nejazdíte naboso alebo v sandáloch a šnúrky majte uviazané mimo dosahu kolies, motora a hnacieho systému.

Používanie nabíjačky

- Nikdy neupravujte elektrický systém. Vykonanie úpravy môže mať za následok vznik požiaru. Použitie nesprávnej batérie alebo nabíjačky môže mať za následok explóziu.
- PRED KAŽDÝM POUŽITÍM: nechajte batériu nabíjať počas doby ASPOŇ 12 hodín.
- Po každej jazde vypnite. Ak ponecháte bez používania, batéria sa nebude musieť dať nabíť.
- NESKLADUJTE pri teplotách nižších ako je teplota mrznutia! Teploty mrznutia trvalo poškodia batériu.
- Nabíjačku dodávanú s autičkom Crazy Cart Shift je nutné pravidelne kontrolovať, či nie je poškodený kábel, zástrčka, kryt a ďalšie súčasti. V prípade takéhoto poškodenia sa nesmie autičko Crazy Cart Shift až do opravenia či výmeny nabíjačky nabíjať.
- Používajte len nabíjačku, ktorú odporúča Razor.
- Počas nabíjania dávajte pozor.
- Nejde o hračku. Nabíjačku smie obsluhovať len dospelá osoba.
- Nabíjačku nepoužívajte v blízkosti horľavých materiálov alebo otvoreného plameňa.
- Ak nabíjačku nepoužívate, odpojte ju od prívodu elektrickej energie a od autička Crazy Cart Shift.
- Neprekračujte dobu nabíjania.
- Štvorkolko Crazy Cart Shift vždy odpojte od nabíjačky pred utieraním alebo čistením pomocou vlhkej tkaniny.

OPOMENUTIE POUŽÍVAŤ ŠTANDARDNÝ ÚSUDOK A DODRŽIAVAŤ VÝSTRAHY ZVYŠUJE RIZIKO VÁŽNEHO PORANENIA. POUŽÍVAJTE POZORNE A S VÁŽNYM DÓRAZOM NA BEZPEČNÚ PREVÁDZKU.

Obmedzená záruka:

- Táto obmedzená záruka sa vzťahuje jedine na tento výrobok. Neexistuje žiadna iná výslovná alebo implicitná záruka. Výrobca garantuje, že u tohto výrobku sa počas doby 90 dní od dátumu zakúpenia nevyskytnú výrobné chyby. Platnosť tejto obmedzenej záruky sa skončí, ak bude výrobok:
- používaný iným spôsobom ako na rekreačné a prepravné účely;
 - akýmkoľvek spôsobom upravený;
 - požičiavaný.



OBSAHUJE UTESENENÉ NEVYTEKAJÚCE OLOVENÉ BATÉRIE. BATÉRIE SA MUSIA RECYKLOVAŤ.

! **UPOZORNĚNÍ:** Vozítko Crazy Cart Shift není jen tak „obyčejná“ motokára, **může proto vyžadovat vyspělejší schopnosti řízení než obyčejná motokára.** Driftovací stroj Crazy Cart Shift umožňuje pohyb dopředu, dozadu, do strany a dokonce se otáčet dokola v kruzích - a **místo standardní brzdy využívá vlastnosti, které umožňují velmi rychlé zastavení a brzdění.** Je velmi důležité **začínat pomalu a nejdříve se dobře seznámit** s jedinečným ovládním směru a s schopnostmi brzdění vozítka Crazy Cart Shift, než se pokusíte o rychlé zatáčení nebo jiné prudké pohyby, nebo než plně využijete vlastnosti tohoto vozítka. **K používání tohoto výrobku je nutný rovný povrch a volný prostor bez jiných vozidel nebo překážek.**

! **UPOZORNĚNÍ:** Jízda na jakémkoliv elektrickém výrobku může být nebezpečná. Za určitých podmínek může zařízení selhat bez zavinění výrobce. Stejně jako další elektrické pojízdné výrobky se vozítko Crazy Cart Shift může pohybovat a je určeno k pohybu, a existuje tudíž možnost ztráty kontroly, pádu a/nebo vzniku nebezpečných situací, které nelze eliminovat žádoucí mírou pozornosti, instrukcí ani odborných znalostí. Pokud k takovým situacím dojde, může to způsobit vážná zranění nebo dokonce úmrtí, i když je používáno ochranné vybavení a jiné bezpečnostní prostředky. **JÍZDA JE NA VLASTNÍ NEBEZPEČÍ, ŘÍDTE SE PŘEDEVŠÍM ZDRAVÝM ROZUMEM.**

! **UPOZORNĚNÍ: JE NUTNÉ ZAJISTIT DOHLED RODIČŮ NEBO JINÝCH DOSPĚLÝCH OSOB, KTERÉ NESOU VEŠKEROU ODPOVĚDNOST:** Tato příručka obsahuje důležité informace o bezpečnosti. Vaši odpovědností je si tyto informace prostudovat a ověřit, zda všichni uživatelé rozumí všem výstrahám, upozorněním, pokynům a tématům bezpečnosti, a ujistit se, že mladší osoby jsou schopny používat tento výrobek bezpečně a odpovědně. Společnost Razor doporučuje, abyste si informace obsažené v této příručce pravidelně prostudovali a osvěžili spolu s mladšími uživateli a prováděli kontroly a údržbu výrobku vašeho dítěte pro zajištění jeho bezpečnosti.

! **POZOR: PŘEPÍNAČ K PŘEDNASTAVENÍ RYCHLOSTI DOZOREM:** Driftovací stroj Crazy Cart Shift je vybaven přepínačem rychlosti HIGH-LOW (VYSOKÁ-NÍZKÁ), který může nastavit dospělá osoba ručně předtím, než dítě nastoupí k jízdě. Tento přepínač rodičům umožňuje snížit rychlost driftovacího stroje Crazy Cart Shift pro začínající jezdce.

Výrobce navrhovaný minimální věk jezdce je 8 let při nastavení vysoké rychlosti a 6 let při nastavení nízké rychlosti. Standardní nastavení je HIGH (VYSOKÁ).

! **UPOZORNĚNÍ: NENÍ URČENO DĚTEM DO 6 LET NEBO NAD 54 KG.** Vzhledem k tomu, že výrobky, jako je Crazy Cart Shift, mohou představovat a představují potenciální nebezpečí zjevně spojené s jejich používáním, je všeobecně známo, že VYBĚR VÝROBKU NA JEZDĚNÍ PRÍMĚŘENÉHO VĚKU DÍTĚTE JE TŘEBA PROVÁDĚT S RODIČOVSKOU ZODPOVĚDNOSTÍ A V SITUACÍCH, KDY MOHOU MÍT KE STEJNÉMU VÝROBKU NA JEZDĚNÍ PŘÍSTUP DĚTI RŮZNÉHO VĚKU, JE DŮLEŽITÉ ZAJISTIT RODIČOVSKÝ DOHLED. Ne každý výrobek je vhodný pro dítě jakéhokoliv věku či velikosti - v této kategorii výrobků jsou uvedena různá věková doporučení, které mají odrážet povahu rizika a očekávané duševní nebo fyzické schopnosti dítěte, případně obojí, v zájmu zvládnutí možných rizik.

Společnost Razor doporučuje, aby používání tohoto výrobku nebylo dovoleno dětem mladším 6 let. Toto doporučení vychází nejen z věku, hmotnosti nebo výšky - odráží také zohlednění očekávané vyspělosti a dovednosti, stejně jako fyzické velikosti. Doporučený věk jezdce 6 let a více je pouze odhadem a může být ovlivněn velikostí, hmotností nebo dovedností jezdce - ne pro každé 6 leté dítě může být výrobek vhodný. Je zřejmé, že jezdci, kteří se na výrobku Crazy Cart Shift nemohou pohodlně usadit, by se na něm ani neměli pokoušet jezdit. Rozhodnutí rodičů umožnit svému dítěti jízdu na tomto výrobku by mělo vycházet z vyspělosti, dovednosti a schopnosti dítěte dodržovat pravidla. **Společnost Razor dospělým osobám důrazně doporučuje, aby neignorovaly doporučení Razor a také aby nepovolovaly jezdit na výrobku Crazy Cart Shift mladším dětem.**

NEPŘEKRAČUJTE HMOTNOSTNÍ LIMIT 54 kg. Samotná hmotnost jezdce nutně neznamená, že velikost osoby je pro vozítko Crazy Cart Shift nebo jeho ovládání vhodná. Udržujte tento výrobek mimo dosah malých dětí a pamatujte, že je určen pro použití pouze osobami, které jsou při ovládání výrobku minimálně ve zcela klidném a způsobilém stavu.

Osoby s mentálními nebo tělesnými postiženími, které by mohlo být příčinou zranění nebo negativně ovlivnit jejich tělesnou zručnost nebo duševní schopnosti rozpoznat, pochopit a dodržovat bezpečnostní pokyny, stejně jako pochopit rizika spojená s použitím tohoto výrobku, nesmí výrobek používat, ani jim to nesmí být povoleno. Osoby se srdečními potížemi, onemocněními hlavy, zad nebo šíje (nebo před operací těchto částí těla), nebo těhotné ženy, by měly být upozorněny, aby tyto výrobky nepoužívaly.

UPOZORNĚNÍ: Tento návod obsahuje mnoho výstrah a upozornění týkajících se následků neprovádění údržby, kontroly nebo nesprávného používání elektrického vozítka. Vzhledem k tomu, že vážné zranění nebo dokonce úmrtí může být výsledkem jakékoli nehody, neopakujeme upozornění na vážné zranění ani úmrtí při každém zmínění takové eventuality.

KONTROLA A ÚDRŽBA

Před použitím zkontrolujte, zda jsou na svém místě a v provozuschopném stavu veškeré ochranné kryty. Zkontrolujte správnou funkčnost dílů, a také zda hlavní hnací kolečko není opotřebované a není třeba jej vyměnit. Údržba a opravy vozítka Crazy Cart Shift by se měly provádět v souladu se specifikacemi výrobce, musí se používat pouze náhradní díly autorizované výrobcem a nesmí se měnit původní design a konfigurace výrobce. Opatřebeně nebo porouchané díly je nutno ihned vyměnit.

! **UPOZORNĚNÍ: BEZPEČNÝ PROVOZ VYŽADUJE PEČLIVOU POZORNOST. Tento výrobek nemá tradiční brzdu – zastavuje se sešlápnutím plynového pedálu a řízením. Přečtete si kapitulu „Ovládání“ tohoto návodu a procvičte si své řídicí dovednosti řízením vozítka Crazy Cart Shift.**

- **Vždy ověřte a dodržujte místní zákony či předpisy, které se mohou vztahovat na místa, kde se Crazy Cart Shift může používat.** Vozítko Crazy Cart Shift je určeno k použití na soukromém pozemku a na uzavřených drahách, nikoliv na veřejných ulicích nebo chodnicích. Nedovolte, aby své elektrický výrobek jezdil v oblastech s provozem vozidel.
- Hlavní vypínač na vozítku nepřepínejte do polohy **ON (ZAP)** ani nesešlápněte plynový pedál, pokud nejste rádně usazení a v bezpečném venkovním prostředí vhodném pro jízdu. Před vystoupením z vozítka tlačítko vždy vypněte do polohy **OFF (VYP)**.
- Prsty a ostatní části těla udržujte v bezpečné vzdálenosti od motoru, systému řízení, kol a všech dalších pohyblivých dílů.
- Vždy a za každých okolností udržujte kontrolu nad volantem. Během použití Crazy Cart Shift ani ihned poté se nedotýkejte motoru, může se zahřát na velmi vysokou teplotu
- Jezděte opatrně. Dávejte pozor na potenciální překážky, které by se mohly zachytit o kolečka nebo zas donutit náhle změnit směr nebo ztratit kontrolu. Dávejte pozor na chodce, bruslaře, skateboardisty, jezdce na koloběžce, kole, děti či zvířata, které vám mohou vstoupit do cesty.
- Tento výrobek byl vyroben tak, aby uspokojivě fungoval a měl dlouhou životnost, není však odolný proti poškození. Narážení do překážek a jiné agresivní řízení může nadměrně zatížit jakýkoliv výrobek, včetně vozítka Crazy Cart Shift, a jezdce zesle veškerá



rizika spojená s vysoce stresovou zátěží. Nejedná se o poutové narážecí autíčko.

- Na elektrickém vozítku nikdy nevozte spolujezdce ani nedovolte, aby na něm jezdila více než jedna osoba.
- Při jízdě nikdy nepoužívejte sluchátka ani mobilní telefon. Nikdy nejezděte zavěšení za jiným výrobkem.
- Na vozítku Crazy Cart Shift nejezděte za mokra nebo v ledovém počasí a nikdy tento elektrický výrobek nikdy neponořujte do vody, elektrické a hnací prvky se by mohly vodou poškodit nebo vytvořit jiné pravděpodobně nebezpečné podmínky.
- Mokrě, hladké, hrbolaté, nerovné či drsné povrchy mohou zhoršit trakci a zvýšit riziko nehody. Na elektrickém výrobku nejezděte v bahně, na náledí, v kalužích nebo ve vodě. Zamezte nadměrným rychlostem spojeným s jízdou ze svahu. Nikdy neriskujte poškození povrchů, např. koberce nebo podlahy, používáním elektrického výrobku v interiéru.
- Nepoužívejte v blízkosti schodů nebo bazénů.
- Nejezděte v noci nebo za snížené viditelnosti.
- Možná jste v televizi nebo na videu viděli lidi, kteří na vozítku Crazy Cart Shift předvádějí triky a manévry. Tito lidé již mají za sebou dlouhodobý trénink a berou na sebe riziko jízdy s triky. Nepočítejte s tím, že triky dokážete zvládnout bez velkého rizika.
- Buďte opatrní a poznejte své limity. S rostoucí obtížností jízdy se zvyšuje riziko zranění. S agresivní jízdou na sebe jezdec bere veškerá související rizika.

Správné jezdecké oblečení

Vždy noste vhodné ochranné vybavení, např. schválenou ochrannou přilbu (s podbradním řemínkem upevněným přezkou). Přilba může být ve vaší zemi ze zákona povinná. Kromě toho se doporučuje nosit, košili s dlouhým rukávem, dlouhé nohavice i rukavice a náloketníky a nákolenníky. Vždy noste sportovní obuv (šněrovací obuv s gumovou podrážkou), nikdy nejezděte na boso nebo v sandálech a taničky mějte vždy zavázané a mimo dosah kol, motoru a hnacího systému.

Používání nabíječky

- Nikdy neprovádějte změny elektrického systému. V případě změny by mohlo dojít k požáru. V případě použití nesprávného typu akumulátoru nebo nabíječky může dojít k výbuchu.
- **PŘED KAŽDÝM POUŽITÍM:** Nabijte baterii po dobu ALESPŮN 12 hodin.

- Vypnout po každé jízdě. Pokud se baterie ponechají zapnuté, i když nejsou používány, mohou ztratit schopnost dobíjení.
- Nikdy neskladujte v mrazu! Teploty pod bodem mrazu způsobí trvalé poškození baterie.
- Nabíječku dodanou s vozítkem Crazy Cart Shift je třeba pravidelně kontrolovat, zda nedošlo k poškození šňůry, zástrčky, pouzdra nebo dalších dílů. V případě takového poškození se Crazy Cart Shift nesmí nabíjet, dokud se nabíječka neopraví nebo nevymění.
- Používejte pouze nabíječku doporučenou společností Razor.
- Při nabíjení postupujte opatrně.
- Nabíječka není na hrani. Měla by ji obsluhovat dospělá osoba.
- Nabíječku nezapínejte v blízkosti hořlavých materiálů nebo otevřeného ohně.
- Pokud se nabíječka nepoužívá, vytáhněte ji ze zásuvky a odpojte ji od vozítka.
- Nepřekračujte dobu nabíjení.
- Před otíráním či čištěním vlhkým hadříkem Crazy Cart Shift vždy odpojte od nabíječky.

NEUVÁŽENÝM JEDNÁNÍM A NERESPEKTOVÁNÍM VÝŠE UVEDENÝCH UPOZORNĚNÍ SE ZVÝŠUJE RIZIKO VÁŽNÉHO ZRANĚNÍ. POUŽÍVEJTE OPATRNĚ A VELKOU POZORNOST VĚNUJTE BEZPEČNĚMU OVLÁDÁNÍ.

Omezená záruka:

Tato omezená záruka je jedinou zárukou na tento výrobek. Žádná jiná výslovná ani implicitní záruka neexistuje.

Výrobce poskytuje záruku na výrobní vady tohoto výrobku na dobu 90 dnů od data zakoupení.

Tato omezená záruka zaniká v případě:

- použití výrobku pro jiné účely než pro rekreaci nebo dopravu;
- jakýchkoli úprav výrobku;
- pronájmu výrobku.



BSAHAJE UTĚSNĚNÉ AKUMULÁTORY NA BÁŽI OLOVA A KYSELINY. AKUMULÁTORY JE NUTNĚ RECYKLOVAT.



⚠ ПРЕДУПРЕЖДЕНИЕ: Картът Crazy Cart Shift не е същият като „обикновен“ карт за картинг и **поради това може да се изискват по-големи умения за управление от тези за обикновен карт.** Картът Crazy Cart Shift е проектиран да позволява движение напред, назад, настрани, в завои с различен радиус и дори въртене в кръг, **като вместо „обикновена“ спирачка той използва тези функции, да позволи също и много бързо спиране.** Изключително важно е да се започне бавно и да се отдели време за запознаване и свикване с уникалния начин за контрол на управлението и спирането на карта Crazy Cart Shift, преди да се правят опити за остри завои или други маневри с бърза скорост или по друг начин да се използва пълните възможности на карта Crazy Cart Shift. **Използването на този продукт изисква равно открито пространство без улично движение или други препятствия.**

⚠ ПРЕДУПРЕЖДЕНИЕ: Карането на електрически продукт може да бъде опасна дейност. Определени условия може да причинят неизправност в оборудването без вина на производителя. Както и други електрически продукти, предназначени за каране, картът Crazy Cart Shift може и е предназначен да се движи и поради това е възможно да се изгуби контрол върху него, да се падне от него и/или да възникнат опасни ситуации, които не могат да бъдат елиминирани, независимо от нивото на внимание, обучение или опит на оператора. Ако възникнат такива ситуации, може да се стигне до сериозни наранявания или смърт дори когато се използва екипировка за безопасност и други предпазни средства. **КАРАЙТЕ НА СВОЙ СОБСТВЕН РИСК И ИЗПОЛЗАВАЙТЕ ЗДРАВ РАЗУМ.**

⚠ ПРЕДУПРЕЖДЕНИЕ: НЕОБХОДИМО Е ДА СЕ ОСЪЩЕСТВЯВА НАДЗОР И ДА СЕ ПОЕМЕ ОТГОВОРНОСТ ОТ РОДИТЕЛ / ВЪЗРАСТЕН: Това ръководство съдържа важна информация за безопасност. Ваша отговорност е да прегледате тази информация и да се уверите, че всички водачи разбират всички предупреждения, съобщения за внимание, инструкции и съвети за безопасност и да се уверите, че младите водачи могат безопасно и отговорно да използват този продукт. Razor препоръчва периодично да преглеждате и да затвърждавате познанието на информацията в това ръководство с по-младите водачи и да инспектирате и да поддържате продукта на своите деца, за да се осигури тяхната безопасност.

⚠ ПРЕДУПРЕЖДЕНИЕ: КОНТРОЛИРАН ОТ РОДИТЕЛА ПРЕВКЛЮЧВАТЕЛ ЗА HIGH/LOW (ВИСОКА/НИСКА) СКОРОСТ: Crazy Cart Shift има превключвател за HIGH-LOW (ВИСОКА-НИСКА) скорост, който може да бъде настроен ръчно от възрастен преди детето да го кара. Този превключвател позволява на родителите да намалят скоростта на Crazy Cart Shift за неопитни водачи.

Минималната препоръчителна възраст на производителя за водачите е 8+ години в позицията HIGH (ВИСОКА) скорост и 6+ години в позицията LOW (НИСКА) скорост. Позицията по подразбиране е HIGH (ВИСОКА).

⚠ ПРЕДУПРЕЖДЕНИЕ: НЕ Е ПОДХОДЯЩ ЗА ДЕЦА НА ВЪЗРАСТ ПОД 6 ГОДИНИ ИЛИ С ПО-ГОЛЯМО ТЕГЛО ОТ 54 КГ. Тъй като продуктите, като Crazy Cart Shift, може да представляват и представляват потенциални опасности, пряко свързани с тяхната употреба, ясно се отчита, че **НУЖДАТА ЗА УПРАВЛЯВАНЕ НА РОДИТЕЛСКА ОТГОВОРНОСТ ПРИ ИЗБОРА НА ПРОДУКТИ ЗА КАРАНЕ, КОИТО СА ПОДХОДЯЩИ ЗА ВЪЗРАСТТА НА ДЕТЕТО, ИЛИ РОДИТЕЛСКИ НАДЗОР ПРИ СИТУАЦИИ, В КОИТО ДЕЦА НА РАЗЛИЧНА ВЪЗРАСТ МОГАТ ДА ИМАТ ДОСТЪП ДО ЕДНИ И СЪЩИ ПРОДУКТИ ЗА КАРАНЕ, Е ВАЖНА.** Не всеки продукт е подходящ за всяка възраст или ръст на децата, като за тази категория продукти има различни препоръки в зависимост от възрастта, които отразяват естеството на опасностите и необходимите умствени и физически способности (или и двете) на водача, за да може той да се справи с опасностите.

Razor препоръчва да не се позволява използването на този продукт от деца на възраст под 6 години. Тази препоръка се базира не само на възрастта, теглото или ръста – тя отразява въпроса за необходимата зрялост и умения, както и физическото ръст. Препоръчаната възраст на водача от 6 или повече години е само приблизителна и може да бъде повлияна от ръста, теглото или уменията на водача – продуктът няма да е подходящ за

всяко дете на 6 години. Разбира се, всеки водач, който не може да се вмести удобно в Crazy Cart Shift, не трябва да опитва да го използва, но решението на родителя да позволи детето си да кара този продукт трябва да се базира на зрелостта, уменията и способностите на детето да спазва тези правила. **Razor набляга на това, че възрастните настойчиво се съветват да не пренебрегват препоръките на Razor или да позволяват на по-малки деца да карат карта Crazy Cart Shift.**

ДА НЕ СЕ НАДВИШАВА ЛИМИТА ЗА ТЕГЛО ОТ 54 КГ. Теглото на водача не означава непременно, че големината на фигурата на определен човек е подходяща или е достатъчна за поддържане на контрол над Crazy Cart Shift. Дръжте този продукт далеч от малки деца и помнете, че този продукт е предназначен за употреба само от лица, които най-малкото могат да управляват продукта напълно удобно и компетентно.

Лица с умствени или физически заболявания, които може да се ваят предпоставка за нараняване или да попочат на физическите им умения или умствените им способности да разбират и следват инструкциите за безопасност, както и да разбират с какви рискове е свързана употребата на продукта, не трябва да използват и не трябва да им бъде разрешено да използват продукти, които са неподходящи за техните способности. Лица със сърдечни заболявания и такива, които страдат от болки в главата, гърба или врата (или са претърпели преди това операции на тези части на тялото), както и бременни жени, не трябва да боравят с този продукт.

ВНИМАНИЕ: Това ръководство съдържа много предупреждения и съобщения за внимание, свързани с последствията в случай, че ваят електрически продукт, предназначен за каране, не се поддържа, инспектира или използва правилно. Тъй като всеки инцидент може да доведе до сериозно нараняване или дори смърт, ние не повтаряме предупреждението за сериозно нараняване или смърт всеки път, когато такава възможност бъде спомената.

ПРОВЕРЯВАЙТЕ И ПОДДЪРЖАЙТЕ

Преди употреба проверете дали всички капаци и предпазители са на местата си и дали са в годно за експлоатация състояние. Уверете се, че частите функционират правилно, че главната движеща гума не е износена и трябва да бъде заменена. Картът Crazy Cart Shift трябва да се поддържа и ремонтира в съответствие със спецификациите на производителя, като се използва само одобрен от производителя резервни части и не трябва да се променя оригиналния дизайн и оригиналната конфигурация на производителя. Незабавно подменяйте износените или повредени части.

⚠ ПРЕДУПРЕЖДЕНИЕ: БЕЗОПАСНАТА ЕКСПЛОАТАЦИЯ ИЗИСКВА ОСОБЕНО ВНИМАНИЕ. Този продукт не е оборудван с традиционна спирачка – спирането се извършва чрез педала за ускорение и кормилното управление. Прочетете раздела с инструкциите за експлоатация и се упражнявайте, за да овладеете уменията за използване на Crazy Cart Shift.

• **Винаги проверявайте и спазвайте местните закони и разпоредби, които указват къде може да се използва картът Crazy Cart Shift.** Картът Crazy Cart Shift е предназначен да бъде използван върху терени, които са частна собственост, и на затворени листи, а не на обществени улици или тротоари. Не карайте своя електрически продукт на места, където се



- Движат пешеходци или превозни средства.
- Не превключвайте ключа за захранването на Crazy Cart Shift в позиция **ON (включено)** и не натискайте/активирайте педала за ускорение, освен ако не сте седнали в карта и не сте на безопасно, открито място, подходящо за каране.
- Винаги превключвайте ключа за захранването в позиция **OFF (изключено)**, преди да слезете от карта Crazy Cart Shift.
- Дръжте пръстите на ръцете си и другите части на тялото далеч от системата за управление, колелата и всички други движещи се компоненти.
- Дръжте кормилото в ръцете си през цялото време. Не пийвайте мотора на Crazy Cart Shift по време на употреба или скоро след това, понеже тези части могат да станат много горещи.
- Карайте защитно. Внимавайте за потенциални препятствия, които може да закачат колелото/колелата или да ви принудят да завиете рязко или да изгубите контрол. Внимавайте да не блъснете пешеходци, кълнъори, скейтбордисти, скутери, велосипеди, деца или животни, които може да ви излязат на пътя и уважавайте правата и собствеността на другите.
- Този продукт е произведен така, че да бъде ефективен и издръжлив, но той не е защитен срещу повреди. Сблъскването с препятствия или друго агресивно каране може да претовари и да повреди всеки продукт, включително карта Crazy Cart Shift, и водачът поема всички рискове, свързани с дейности с високо ниво на натоварване. Този продукт не е „блъскаща количка“.
- Никога не вземете пътници и не позволявайте повече от един човек едновременно да кара електрически продукт.
- Никога не използвайте слушалки или мобилен телефон докато карате. Никога не се свещайте за друг продукт, да ви дърпа, докато карате.
- Не карайте карта Crazy Cart Shift върху мокри или замедени повърхности и никога не потапяйте този електрически продукт във вода, понеже електрическите и задвижващите компоненти може да се повредят от водата или да създадат други потенциално опасни условия.
- Мокри, хлъзгави, неравни или груби повърхности могат да повишат рисковете. Не карайте този електрически продукт върху кал, лед, локви или вода. Избягвайте прекомерните скорости, свързани със спусканията по стръжни наклони. Никога не използвайте електрическият продукт на закрито, тъй като рискувате да повредите повърхности като килими или подови настилки.
- Никога не използвайте продукта в близост до стълби или басейни.
- Не карайте през нощта или при лоша видимост.
- Може да видите хора по телевизията или във видеоклипове да извършват каскади или трикове с карта Crazy Cart Shift. Това са хора, които са се упражнявали дълго време и които приемат рисковете, свързани с изпълнението на номера при каране. Не мислете, че можете да опитате да направите същите номера без голям риск.
- Бъдете внимателно и познавайте границите си. Рискът от наранявания се увеличава при повишаване на степента на трудност на каране. Водачът поема всички рискове, свързани с агресивни действия при каране.

Подходяща екипировка за каране

Винаги носете подходяща защитна екипировка като одобрена защитна каска (със сигурно закопчана каишка под брадата). Носенето на каска може да е задължително на мястото, където живеете, съгласно местното законодателство. Препоръчват се налакътници и наколенки, блуза с дълги ръкави, дълъг панталон и ръкавици. Винаги носете спортни обувки (с връзки и гумени подметки), никога не карайте с боси крака или със сандали, като връзките на обувките ви трябва да са завързани и да са далеч от колелата, мотора и задвижващата система.

Използване на зарядното

- Не модифицирайте електрическата система. Промените могат да станат причина за пожар. Употребата на неправилен вид батерия или зарядно може да предизвика експлозия.
- **ПРЕДИ ВСЯКА УПОТРЕБА:** Зареждайте батерията в продължение на ПОНЕ 12 часа.
- Изключвайте след всяка употреба. Ако оставите продукта включен, когато не го използвате, батерията може да не е в състояние да се презареди.
- НЕ съхранявайте при температури около или под нулата! Температурите под нулата ще увредят необратимо батерията.
- Зарядното устройство, което се доставя с карта Crazy Cart Shift, трябва редовно да се проверява за повреди по кабела, щепсела, корпуса и другите части. В случай на такава повреда картът Crazy Cart Shift не трябва да бъде зареждан, докато зарядното устройство не бъде ремонтирано или подменено.
- Използвайте само зарядно, препоръчано от Razor.
- Работете внимателно, когато извършвате зареждане.
- Зарядното не е играчка. С него трябва да работят само възрастни.
- Не работете със зарядното в близост до запалими материали или открит пламък.
- Изключвайте зарядното устройство от електрическата мрежа и от Crazy Cart Shift, когато не го използвате.
- Не надвишавайте времето за зареждане.
- Зарядното не е играчка. С него трябва да работят само възрастни.
- Винаги изключвайте Crazy Cart Shift от зарядното преди да го бършете или почиствате с влажен парцал.

КОГАТО НЕ СЕ ИЗПОЛЗВА ЗДРАВ РАЗУМ И НЕ СЕ ВЗЕМАТ ПОД ВНИМАНИЕ ПРЕДУПРЕЖДЕНИЯТА, РИСКЪТ ОТ СЕРИОЗНО НАРАНЯВАНЕ СЕ УВЕЛИЧАВА. ИЗПОЛЗВАЙТЕ С НЕОБХОДИМАТА ПРЕДПАЗЛИВОСТ И ОТДЕЛТЕ СЕРИОЗНО ВНИМАНИЕ НА БЕЗОПАСНАТА ЕКСПЛОАТАЦИЯ.

Ограничена гаранция:

Тази ограничена гаранция е единствената гаранция за този продукт. Не съществува друга пряка или косвена гаранция. Производителят гарантира, че този продукт няма да проявява производствени дефекти за период от 90 дни след датата на покупката.

Тази ограничена гаранция ще бъде невалидна ако продуктът някога е бил:

- използван за цел различна от забавление и транспорт;
- модифициран по какъвто и да било начин;
- даван под наем.



СЪДЪРЖА ЗАПЕЧАТАНА НЕРАЗЛИВАЕМА ОЛОВНА АКУМУЛАТОРНА БАТЕРИЯ. БАТЕРИЯТА ТРЯБВА ДА БЪДЕ РЕЦИКЛИРАНА.

! UYARI: Crazy Cart Shift, "sıradan" bir go kart ile aynı şey değildir bu yüzden **sıradan bir go karta binmeye kıyasla daha fazla beceri gerektirebilir**. Crazy Cart Shift sürülen dairelerde ve hatta dairelerin eksenini üzerinde dönerken öne, arkaya, yana hareketi mümkün kılacak yöre tasarlanmıştır ve "geleneksel" **bir fren yerine çok hızlı durmayı ve frenlemeyi sağlayan bu özellikleri kulllanır**. Crazy Cart Shift'in benzersiz yön kontrolü ve frenleme becerileriyle, hızlı dönüşler veya diğer hızlı hareket eylemleri gerçekleştirmeden önce ya da Crazy Cart Shift'in yeteneklerinden tam olarak faydalanmak üzere yavaş yavaş başlayın ve alışmak ve konforlu biçimde kullanmak için kendinize zaman tanıyın. **Bu ürünün kullanımı, trafik veya diğer engellerden uzak düz açık alan gerektirir.**

! UYARI: Elektrikli bir ürüne binmek tehlikeli bir etkinliktir. Bazı koşullar üreticinin hatası olmadan ekipmanın arızalanmasına neden olabilir. Diğer elektrikli üstüne binilir ürünler gibi Crazy Cart Shift hareket edebilir ve hareket etme amaçlıdır bu nedenle kontrolü kaybetmek, düşmek ve/veya hiçbir bakım, talimat veya tecrübenin ortadan kaldıramayacağı şekilde tehlikeli durumlara düşmek mümkündür. Bu türden durumlarda meydana gelirse, güvenli ekipmanı ve diğer tedbirleri alsanız bile ciddi biçimde yaralanabilir veya ölebilirsiniz. **RİSKİNİ ÜZERİNİZE ALARAK VE SAĞDUYULU BİR ŞEKİLDE KULLANINIZ.**

! UYARI: EBEVEYN VE YETİŞKİN SORUMLULUĞU VE GÖZETİMİ GEREKLİDİR: Bu kılavuz önemli güvenlik bilgileri içerir. Bu bilgilerin gözden geçirilmesi ve tüm sürücülerin bütün uyarıları, tedbirleri, talimatları ve güvenlik konularını anladığından emin olup genç sürücülerin bu ürünü güvenle ve sorumluluk sahibi şekilde kullandığını garanti etmek sizin sorumluluğunuzdur. Razor bu kılavuzdaki bilgileri genç sürücülerle birlikte düzenli olarak gözden geçirip takviye etmenizi ve güvenliğini temin etmek için çocuğunuzun ürününü muayene etmenizi ve bakımını yapmanızı önermektedir.

! UYARI: EBEVEYNİN KONTROL ETTİĞİ YÜKSEK/DÜŞÜK (HIGH/LOW) HIZ ANAHTARI: Crazy Cart Shift, çocuk sürmeden önce bir yetişkin tarafından elle ayarlanabilen bir YÜKSEK/DÜŞÜK (HIGH/LOW) hız anahtarına sahiptir. Bu anahtar ebeveynlerin acemi kullanıcılar için Crazy Cart Shift hızını ayarlayabilmelerini sağlar.

Üreticinin tavsiye ettiği minimum sürücü yaşı HIGH (YÜKSEK) hız ayarında 8+ ve LOW (DÜŞÜK) hız ayarında 6+ yaştır. Varsayılan ayar YÜKSEK'tir.

! UYARI: 6 YAŞ ALTI VEYA 54 KG'DEN AĞIR ÇOCUKLARA UYGUN DEĞİLDİR. Crazy Cart Shift gibi ürünler kullanılmaya başlı olarak potansiyel tehlikeler oluşturabileceği için ÇOCUĞUN YAŞINA UYGUN DOĞRU ÜRÜNLERE BİNİLMESİNİN SEÇİMİNDE EBEVEYN SORUMLULUĞU YA DA AYNI ÜRÜNLERE ERİŞİLECEK ÇEŞİTLİ YAŞLARDAKİ ÇOCUKLARDAKİ DURUMLARDA EBEVEYN GÖZETİMİ ÖNEMLİDİR. Bu ürünler tehlikeli olabildiğinden ve her ürün her yaşta çocuğa uygun olmadığı için tehlikelerin yapısını ve tehlikelerle mücadelede çocuğun beklenen zihinsel ve fiziksel yeteneğini yanıtın bu ürün kategorisinde farklı yaş tavsiyeleri bulunmaktadır.

Razor, 6 yaşın altındaki çocukların bu ürünü kullanmasına izin verilmemesini önermektedir. Bu tavsiye sadece yaş ya da ağırlık veya boya bağlı değildir, fiziksel boyut kadar beklenen olgunluk ve becerilerin dikkate alınması da yanısırdır. 6 yaş veya üzerindeki önerilen sürücü yaşı sadece bir tahmindir ve sürücünün boyutundan, ağırlığından veya becerilerinden etkilenebilir; 6 yaşındaki her çocuk ürüne uygun değildir. Crazy Cart Shift'e rahat bir şekilde sığmayan hiçbir sürücü onu kullanmaya çalışmamalıdır fakat ebeveynin çocuğunun bu ürüne binmesine izin verme kararı çocuğun olgunluğuna, becerisine ve kurallara uyma yeteneğine dayandırılmalıdır. **Razor, yetişkinlere Razor'un önerilerini dikkate almaları veya daha ufak çocukları Crazy Cart Shift'e binmesine izin vermemelerini önemle tavsiye etmektedir.**

54 kg AĞIRLIK LİMİTİNİ AŞMAYINIZ. Sürücü ağırlığı tek başına Crazy Cart Shift'e uygunluk veya bunu idare etmek için kişinin boyutunun uygun olduğu anlamına gelmez. Bu ürünü küçük çocuklardan uzak tutunuz ve çalışırken yalnızca tamamen rahat ve yetkin biçimde kullanabilen çocukların binmesi gerektiğini unutmayınız.

Kişileri sakatlanmaya açık hale getiren, güvenli talimatlarının farkına varmaya, bu talimatları anlama ve uygulama için fiziki veya zihinsel yeteneklerini bozan, bir ürünün kullanımına ilişkin tehlikeleri kavramada herhangi bir zihinsel veya fiziksel engeli bulunan kişilerce ya da yeteneklerine uygun olmayan ürünleri kullanım izni olmayan kişilerce kullanılmamalıdır. Kalp, baş, sırt ya da boyun hastalıkları (ya da vücudun bu bölgelerine önceden yapılan ameliyatları) olan kişilerin veya hamile kadınların bu ürünü çalıştırmamasına dikkat edilmelidir.

DUYURU: Bu kılavuz elektrikli üstüne binilen ürününüzün bakımı, muayenesi veya doğru biçimde kullanma konusunda arızalanma sonuçlarına ilişkin birçok uyarı ve önlem içerir. Herhangi bir vaka ciddi biçimde sakatlamaya ve hatta ölüme sonuçlanabileceğinden, bu türden bir olasılığın bahsedildiği her seferinde olası ciddi yaralanma veya ölüm uyarısını tekrarlamamaktayız.

MUAYENE VE BAKIM

Kullanmadan önce tüm kapakların ve koruyucuların yerinde ve çalışabilir olduğundan emin olunuz. Parçaların doğru biçimde işlev görmesi, ana tahrik tekerleğinin aşınmamış olması ve değişim gerektirip gerektirmediğine dair kontrolleri gerçekleştiriniz. Crazy Cart Shift'in, yalnızca üreticinin yetkili yedek parçaları kullanılarak üreticinin şartlarına uygun şekilde bakımı yapılmalı ve onarılması ve üreticinin orijinal tasarımı ve konfigürasyonunda değişiklik yapılmamalıdır. Aşınan ya da hasar gören parçaların hemen değiştiriniz.

! UYARI: GÜVENLİ ÇALIŞMA DİKKATLİ İLGİ GEREKTİRİR. Bu ürün geleneksel bir frene sahip değildir; durma, gaz pedali ve direksiyon kullanılarak gerçekleştirir. Bu kılavuzun "Nasil Çalıştırılır" bölümünü okuyun ve Crazy Cart Shift'i kullanmak için gereken becerileri geliştirmek üzere pratik yapın.

- Crazy Cart Shift'in kullanılmaya başlı yerleri etkileyebilecek yerel kanunları veya yönetmelikleri daima kontrol ediniz ve bunlara uyunuz. Crazy Cart Shift kamu otoyollarında ve kaldırımlarında değil, özel mülkiyette ve kapalı alanlarda binilmek üzere üretilmiştir. Elektrikli ürününüzü, yaya veya araç trafiğinin olduğu alanlarda binmeyiniz.
- Oturuşur halde değilken ve biniş uygun güvenli bir dış mekanda bulunmuyorken, Crazy Cart Shift'teki güç düğmesini **ON (AÇIK)** konuma getirmeyin ya da gaz pedala basmayın/gaz pedalı etkin hale getirmeyin. Crazy Cart Shift'ten çıkmadan önce daima güç düğmesini **OFF (KAPALI)** konuma getirin.
- Parmaklarınızı ve diğer vücut bölümlerinizi motor, direksiyon sistemi, tekerlekler ve diğer tüm hareketli bileşenlerden uzak tutunuz.
- Direksiyonu daima tutunuz. Bu parçalar çok sıcak hale gelebildiği için kullanırken sıcaklığa veya sürüşten hemen sonra Crazy Cart Shift üzerindeki göbek motoruna dokunmayın.
- Koruyucu şakıma bininiz. Tekerlek(ler)inize dolanabilecek veya sizi aniden döndürüp kontrolünüzü kaybettirecek olası engellere karşı dikkatli olunuz. Yolunuza çıkabilecek yayalara, patencilere, kaykaylara, scooterlara, bisikletlere, çocuklara veya hayvanlara dikkat ediniz ve başkalarının haklarına ve mülkiyetine karşı saygılı olunuz.
- Bu ürün performans ve dayanıklılık için üretilmiştir ancak hasardan etkilenebilir. Crazy Cart Shift ve sürücüsünün yüksek stresli etkinliğe ilişkin tüm riskleri kabul etmesi dahil olmak üzere engelleri çarpmak veya diğer agresif sürüşler aşırı stres yaratıp ürüne hasar verebilir. Bu ürün bir "çarşıp arabası" değildir.
- Hiçbir şekilde yolcu taşımayın ya da bir kişiden fazlasını tek seferde elektrikli ürüne binmesine izin vermemeyin.
- Kesinlikle biniş esnasında kulaklık ya da cep telefonu

TR



- kullanmayınız. Kesinlikle başka bir ürüne bağlamayınız.
- Islak veya buzlu havada Crazy Cart Shift'e binmeyiniz ve elektrikli ve motor parçaları sudan ötürür hasar görebileceği için bu elektrikli ürünü asla suya daldırmayınız veya başka güvensiz koşullar yaratmayınız.
- Islak, kaygan, engelbeli, düzensiz veya pürüzlü yüzeyler riski arttırabilir. Bu elektrikli ürünü çamurda, buzda, su birikintilerinde ya da suda kullanmayınız. Yokuş aşağı sürüşlerde aşırı hızlanmalardan kaçınınız. Elektrikli bir ürünü iç mekanda kullanıp, hali veya döşeme gibi zarar veren yüzeylerde asla risk oluşturmayınız.
- Kesinlikle basamakların veya yüzme havuzlarının yanında kullanmayınız.
- Gece ya da görüşün sınırlı olduğu zamanlarda binmeyiniz.
- TV'de veya videolarda Crazy Cart Shift üzerinde numaralar ve usta manevralar yapan insanlar görebilirsiniz. Bunlar uzun zamandır antrenman yapmakta olan insanlardır ve usta binişin risklerini kabul etmektedirler. Büyük bir risk almadan aynı sürüşleri gerçekleştirebileceğinizi düşünmeyiniz.
- Dikkatli olun ve sınırlarınızı bilin. Sürüş zorluğu derecesi artarken sakatlanma riski de artar. Sürücü, agresif sürüş hareketlerinden doğan tüm riski kabul eder.

Uygun Binış Kıyafeti

Daima onaylanmış güvenlik kaskı (çene bandı güvenli biçimde tutturulmuş halde) gibi uygun koruyucu ekipman kullanılmalıdır. Bölgenizdeki yerel bir kanun veya yönetmelikle, kask kullanımı yasal bir zorunluluk haline getirilmiş olabilir. Dirseklik ve dizlik, uzun kollu bir tişört, uzun pantolon ve eldiven önerilir. Daima spor ayakkabı giyiniz (lastik tabanlı ve bağcıklı ayakkabılar), kesinlikle çıplak ayakla veya sandaletle binmeyiniz. Ayakkabı bağcıklarını bağlayınız ve tekerlekler, motor ve tahrik sisteminden uzak tutunuz.

Şarj cihazının kullanılması

- Elektrik sistemini kesinlikle modifiye etmeyiniz. Değişiklik yapılması sonucunda yangın çıkabilir. Hatallı tipte bir akü ya da şarj cihazının kullanımı patlamaya neden olabilir.
- HER KULLANIMDAN ÖNCE: Aküyü her kullanımdan en az 12 saat önce şarj ediniz.

- Her binış sonrasında kapatınız. Akü kullanmadan açık bırakılırsa sonradan şarj edilemeyecebilir.
- Donma ya da donma noktasının altındaki sıcaklıklarda muhafaza ETMEYİNİZ! Donma sıcaklıkları aküye kalıcı olarak hasar verir.
- Crazy Cart Shift ile sunulan şarj cihazı; kablo, fiş, ek ve diğer parçalarındaki hasara karşı düzenli olarak muayene edilmelidir. Bu türden bir hasar olması durumunda Crazy Cart Shift, şarj cihazı onarımla veya değiştirilene kadar şarj edilmemelidir.
- Yalnızca Razor tarafından önerilen şarj cihazını kullanınız.
- Şarj ederken dikkatle kullanınız.
- Şarj cihazı bir oyuncak değildir. Şarj cihazı yalnızca bir yetişkin tarafından çalıştırılmalıdır.
- Şarj cihazını tutuşabilir malzemeler ya da açık bir ateş kaynağının yakınında çalıştırmayınız.
- Şarj cihazı kullanımda değilken fişten çekiniz ve Crazy Cart Shift'ten ayırınız.
- Şarj dolum süresini geçirmeyiniz.
- Aşağıya doğru silmeden ya da sıvıyla temizlemeden önce şarj cihazını daima Crazy Cart Shift'ten ayırınız.

SAĞDUYULU BİÇİMDE KULLANMAMAK VE UYARILARI DİKKATE ALMAMAK CİDDİ SAKATLANMA RİSKİNİ ARTTIRIR. GÜVENLİ ÇALIŞTIRMA İÇİN UYGUN DİKKAT VE CİDDİ BİR ÖNEM VEREREK KULLANINIZ.

Sınırlı Garanti:

Bu Sınırlı Garanti bu ürüne ilişkin tek garantidir. Başka herhangi bir açık veya zımnı garanti yoktur.

Üretici bu ürünü, satın alım tarihinden itibaren 90 gün süreyle üretim hatalarına karşı garantisini altına almaktadır.

Bu Sınırlı Garanti şu koşullar altında geçersiz olacaktır, eğer ürün:

- eğlence ya da ulaşımdan başka bir amaçla kullanılmışsa;
- herhangi bir şekilde modifiye edilmişse;
- Kiralansa.



CONTALİ VE DÖKÜLMÜZ KURŞUN ASİTLİ AKÜLER İHTİVA ETMEKTEDİR. AKÜLERİN GERİ DÖNÜŞÜMÜ SAĞLANMALIDIR.



⚠ ПОПЕРЕДЖЕННЯ: Виріб Crazy Cart Shift не є звичайним гоночним картом, **тому кататися на ньому може бути дещо складніше.** Crazy Cart Shift спроектований таким чином, щоб рухатися вперед, назад і вбік, а також входити в керований занос (дріфт) і навіть розвертатися просто на місці. **Ці функції повністю замінюють собою «звичайне» гальмо, дозволяючи дрифт-карту швидко гальмувати і зупинятися.** Необхідно починати з повільного руху, поступово вивчаючи та освоюючи унікальні можливості Crazy Cart Shift - керований рух у різних напрямках і гальмування. Лише освоївши їх, можна швидко рухатися та повертатися, а також виконувати інші складні маневри на Crazy Cart Shift. **Для користування цим виробом необхідна рівна відкрита поверхня, де відсутні перешкоди та рух транспорту.**

⚠ ПОПЕРЕДЖЕННЯ: Рада на будь-якому електричному транспортному засобі може бути небезпечною. За певних умов виріб може відмовити без вини виробника. Як і інші електричні вироби для катання, Crazy Cart Shift призначений для руху, тому користувач може втратити керування, власти та/або потрапити в небезпечні ситуації, від яких не можуть захистити ani обережне поводження, ani пройдений інструктаж, ani наявні вміння. У таких випадках користувач може серйозно травмуватися або загинути навіть у разі використання засобів захисту та вжиття інших заходів безпеки. **КАТАННЯ ЗДІЙСНЮЄТЬСЯ НА ВЛАСНИЙ РИЗИК КОРИСТУВАЧА; БУДЬТЕ ОБАЧНИМИ!**

⚠ ПОПЕРЕДЖЕННЯ: НЕОБХІДНА ВІДПОВІДАЛЬНІСТЬ ТА УВАГА З БОКУ БАТЬКІВ ТА ДОРОСЛИХ ОСІБ: Ця інструкція містить важливу інформацію з безпеки. Ви несете відповідальність за перегляд цієї інформації та донесення до користувачів всіх попереджень, застережень, інструкцій та питань безпеки, а також ви маєте переконатися, що юні користувачі можуть безпечно та відповідально використовувати цей виріб. Компанія Razor рекомендує періодично переглядати та згадувати інформацію в цій інструкції з юними користувачами, а також перевіряти й обслуговувати виріб вашої дитини для забезпечення безпеки.

⚠ ПОПЕРЕДЖЕННЯ: ПЕРЕМИКАЧ ШВИДКОСТІ HIGH-LOW ДЛЯ БАТЬКІВ! Crazy Cart Shift має перемикач швидкості HIGH-LOW, який дорослі можуть відповідним чином налаштувати перед поїздкою дітей. Цей перемикач дозволяє батькам зменшувати швидкість пересування у випадку, коли Crazy Cart Shift використовують новачки.

Рекомендований виробником мінімальний вік дитини для поїздки на високій швидкості (HIGH) становить 8 років, а на низькій швидкості (LOW) – 6 років. За замовчуванням встановлене положення HIGH.

⚠ ПОПЕРЕДЖЕННЯ: ЛИШЕ ДЛЯ ДІТЕЙ ВІКОМ ВІД 6 РОКІВ І ВАГОЮ ДО 54 КГ. Використання таких виробів, як Crazy Cart Shift, є потенційно небезпечним, тому загальновинозано, що БАТЬКИ МАЮТЬ ВІДПОВІДАЛЬНО ВИБИРАТИ ВИРОБИ ДЛЯ КАТАННЯ ЗАЛЕЖНО ВІД ВІКУ ДИТИНИ, А ТАКОЖ БУТИ УВАЖНИМИ В СИТУАЦІЯХ, КОЛИ ДІТИ РІЗНОГО ВІКУ МОЖУТЬ МАТИ ДОСТУП ДО ОДНОГО ВИРОБУ. Не всі вироби універсально підходять для дітей будь-якого віку, зросту та ваги, тому рекомендації щодо віку, які надаються для цієї категорії продукції, описують природу ризиків, а також очікувані розумові та/або фізичні здібності користувача, необхідні для уникнення небезпек.

Компанія Razor рекомендує не дозволяти дітям віком до 6 років користуватися цим виробом. Ця рекомендація базується не тільки на віці, вазі або зрості, але й відображає очікувану зрілість та навички, а також фізичний розмір. Рекомендований вік користувача – 6 років чи старше – є лише оцінкою і може залежати від розмірів, ваги або навичок користувача, не кожна дитина у 6 років може використовувати цей виріб. Якщо користувач незручно на Crazy Cart Shift, йому не слід кататися; однак рішення батьків щодо того, чи дозволяти дитині кататися на цьому виробі, має прийматися залежно від зрілості дитини, рівня сформованості її навичок і здатності дотримуватися правил. **Компанія Razor настійно радить дорослим виконувати рекомендації та не дозволяти дітям, що не досягли рекомендованого віку, кататися на Crazy Cart Shift.**

НЕ ПЕРЕВИЩУЙТЕ ОБМЕЖЕННЯ ВАГИ В 54 КГ. Лише вага користувача не обов'язково означає, що зріст особи підходить для керування Crazy Cart Shift. Бережіть цей виріб від малих дітей і пам'ятайте, що він призначений для людей, які принаймні здатні впевнено та без жодного дискомфорту користуватися ним.

Людам із розумовими та фізичними особливостями, які підвищують схильність до травмування, погіршують фізичну спритність або ускладнюють сприйняття й розуміння інструкцій з безпеки та їхнє дотримання, а також негативно впливають на розуміння ризиків, пов'язаних із використанням певних виробів, заборонено користуватися такими виробами. Цим виробом не можна користуватися особам із хворобами серця, голови, спини або шиї (або тим, хто переніс операцію на цих частинах тіла), а також вагітним жінкам.

ПРИМІТКА: Ця інструкція містить ряд попереджень і застережень щодо наслідків неправильного обслуговування, неуважного огляду або неналежного використання електричного виробу для катання. Наслідком будь-якої пригоди може бути серйозна травма або навіть смерть, тому це попередження стосується всіх описаних випадків і не повторюється кожного разу.

ПЕРЕВІРКА ТА ОБСЛУГОВУВАННЯ

Перед використанням необхідно пересвідчитися, що всі кришки та інші захисні елементи встановлені в належних місцях і перебувають у справному стані. Перевірайтеся, що деталі працюють належним чином та що ведуче колесо не є зношеним та не потребує заміни. Crazy Cart Shift потрібно обслуговувати та ремонтувати відповідно до технічних умов виробника, використовуючи лише допущені виробником запасні частини; заборонено вносити зміни в оригінальні конструкцію та конфігурацію. Зношені або зламані деталі потребують негайної заміни.

⚠ ПОПЕРЕДЖЕННЯ: УВАЖНІСТЬ - ЗАПОРУКА БЕЗПЕКИ. Цей продукт не має звичайного гальма - зупинення здійснюється за допомогою педалі акселератора та керма. **Необхідно прочитати розділ «Користування» цієї інструкції та попрактикуватися у керуванні Crazy Cart Shift.**

- Слід обов'язково дізнатися, чи не обмежують місцеві закони та правила перелік місць використання Crazy Cart Shift, і, якщо так, дотримуватися відповідних обмежень. Crazy Cart Shift призначений для використання на приватній території та на закритих майданчиках, а не на вулицях і тротуарах. Заборонено кататися на цьому електричному виробі в місцях, де є рух пішоходів або транспорту.
- Установлювати вимикач живлення Crazy Cart Shift у положення **ON (УВІМК.)** або натискати/активувати педаль акселератора дозволено лише сидячи на сидінні, коли виріб знаходиться в безпечному та придатному для катання місці проходу неба. Перш ніж сходити із сидіння Crazy Cart Shift, необхідно встановити вимикач живлення в положення **OFF (ВИМК.)**.
- Не торкайтеся пальцями або іншими частинами тіла двигуна, рульового механізму, коліс і будь-яких інших рухомих компонентів.
- Користувач повинен завжди міцно тримати кермо. Уникайте контакту з колесом-двигуном Crazy Cart Shift одразу після поїздки, оскільки цей компонент сильно нагрівається.
- Слід їздити акуратно. Стережіться можливих перешкод, в які може потрапити колесо, або які можуть призвести до раптового відхилення від курсу чи втрати керування. Уникайте



- пішохідів, людей на роликівих ковзанах, скейтах, самокатах і велосипедах, а також дітей і тварин, які можуть з'являтися на шляху; з повагою ставтеся до прав інших та їхньої власності.
- Цей виріб розрахований на ефективну й довготривалу роботу, але не є абсолютно стійким до пошкоджень. Зіткнення з перешкодами або інші прояви агресивного стилю їзди можуть призводити до перенапруження будь-якого виробу, зокрема Crazy Cart Shift; усі ризики, пов'язані з такою поведінкою, несе користувач. Цей виріб не є міні-електромобілем із бампером - він не розрахований на зіткнення.
 - На електричному виробі категорично заборонено перевозити пасажирів; їхати на ньому дозволено лише одній особі.
 - Під час їзди ніколи не використовуйте навушники або мобільний телефон. Категорично заборонено буксирувати цей виріб іншими рухомими виробами.
 - Заборонено кататися на Crazy Cart Shift в умовах підвищеної вологості або на снігу; категорично заборонено занурювати цей електричний виріб у воду, оскільки вода може пошкодити електричні компоненти та систему привода або спричинити виникнення інших небезпечних станів.
 - Катання на вологих, слизьких і нерівних поверхнях, а також поверхнях із вибоїнами може підвищувати ступінь небезпеки. На цьому електричному виробі заборонено кататися по бруду, кризі, калюжам або воді. Необхідно уникати надмірного розгону під час руху під ухил. Заборонено використовувати цей електричний виріб удома, оскільки це може призвести до пошкодження килимових та інших підлогових поверхонь.
 - Ніколи не використовуйте поблизу сходів або басейнів.
 - Не катайтеся вночі або з обмеженим освітленням.
 - По телевізору або деінде можна побачити відео про людей, що виконують акробатичні трюки на Crazy Cart Shift. Ці люди довго тренувалися й розуміють усі ризики, що можуть виникнути під час виконання трюків. Не намагайтеся повторити побачене, адже це неможливо без серйозного ризику.
 - Будьте обережні та знайте межі своїх можливостей. Що складніші маневри виконуються під час катання, то вищою є небезпека травмування. Користувач приймає всі ризики, пов'язані з агресивними стилем катання.

Належне екіпування

Завжди використовуйте належні засоби захисту, як-от сертифікований захисний шолом (із надійно закріпленим ремнем для підборіддя). Використання шолому може бути обов'язковою вимогою місцевих законів і правил. Рекомендується використовувати налокітники та наколінники, носити одяг із довгим рукавом, довгі штани та рукавички. Кататися дозволено лише у спортивному взутті (шнурованому, з гумовою підошвою); заборонено кататися босоніж або в сандалях; шнурки мають бути добре зав'язані так, щоб вони не могли потрапити в колеса, двигун і приводну систему.

Використання зарядного пристрою

- Ніколи не змінюйте електричну систему. Зміни можуть призвести до пожежі. Використання невірної типу батареї або зарядного пристрою може призвести до вибуху.
- ПЕРЕД КОЖНИМ ВИКОРИСТАННЯМ:** заряджайте акумулятор протягом ЩОНАЙМЕНШЕ 12 годин.
- Вимикайте після кожної поїздки. Якщо залишити увімкненим без використання, батарея може не заряджатися.
- НЕ зберігайте при температурі замерзання або нижче! Температура замерзання може повністю пошкодити батарею.
- Зарядний пристрій, який входить до комплекту поставки Crazy Cart Shift, необхідно регулярно перевіряти на предмет пошкоджень кабелю, вилки, корпусу та інших деталей. У разі виявлення пошкоджень Crazy Cart Shift не можна заряджати, доки зарядний пристрій не буде відремонтовано або замінено.
- Використовуйте лише зарядний пристрій, рекомендований Razor.
- Під час заряджання слід бути обережним.
- Зарядний пристрій – це не іграшка. Зарядний пристрій можуть використовувати лише дорослі.
- Не використовуйте зарядний пристрій біля легкозаймистих матеріалів та відкритого вогню.
- Після використання зарядний пристрій слід від'єднати від електромережі та від Crazy Cart Shift.
- Не перевищуйте час зарядження.
- Завжди відключайте Crazy Cart Shift від зарядного пристрою перед тим, як протерти його або очистити за допомогою вологої тканини.

ЛЕГКОВАЖНІСТЬ ТА ІГНОРУВАННЯ НАВЕДЕНИХ ТУТ ПОПЕРЕДЖЕНЬ ПІДВИЩУЮТЬ РИЗИК ОТРИМАННЯ СЕРЬОЗНИХ ТРАВМ. ОБАЧНІСТЬ І УВАЖНІСТЬ - ЗАПРУКА БЕЗПЕЧНОГО КОРИСТУВАННЯ ВИРОБОМ.

Обмежена гарантія:

- Ця обмежена гарантія є єдиною гарантією на продукт. Інших явно виражених або уявних гарантій немає.
- З дати придбання виробник дає 90-денну гарантію на те, що цей виріб не має виробничих дефектів.
- Дана обмежена гарантія буде анульована, якщо продукція:
- використовувалася не для розгаз або катання;
 - якимось чином змінювалася;
 - здавалася напрокат.



МІСТИТЬ ГЕРМЕТИЧНУ АКУМУЛЯТОРНУ СВИНЦЕВО-КИСЛОТНУ БАТАРЕЮ. БАТАРЕЯ МАЄ ПЕРЕРОБЛЯТИСЯ.



警告: Crazy Cart Shift は「普通」のゴーカートとは違い、**乗りこなすにはゴーカートよりもテクニックが必要です。**Crazy Cart Shift は前進、バック、横進、ドリフト、さらにはスピンも可能で、**これら機能によって「今までの」ブレーキではできなかった急停止や急ブレーキも可能です。**急旋回などの急速操作を試みたり、Crazy Cart Shift の性能をフルに発揮しようとする前に、Crazy Cart Shift 独自の方向制御とブレーキ性能を試しながら、ゆっくりしたスピードから乗り始め、十分慣れるまで時間をかけることが特に重要です。**本製品は、車や障害物のない平坦な広い場所で乗ってください。**

警告: いかなる電動製品も、乗ることは危険を伴います。使用条件や状況によっては、メーカーの過失でないのに製品が故障する場合があります。この電動式の乗り物と同様、Crazy Cart Shift も走行するようにできているため、いくら注意し、指示に従い、慣れたとしても、時には制御できなくなったり、カートから落ちたり、危険な状況に巻き込まれたりすることがあります。こうした状況では、いくら保護具などの対策をしていても、大ケガを負ったり、場合によっては死亡するケースもあります。自己責任で乗るように、常識をみてください。

警告: 親や大人の責任と監督が必要です: 本マニュアルには安全に関する重要な情報を記載しています。本情報を読み、ユーザー全員がすべての警告、注意、指示、安全事項を理解していることを確認し、子どもがユーザーが本製品を安全かつ責任をもって乗ることができるようにしてください。子どもはユーザーは、定期的に本マニュアルと一緒に読み返すとともに、安全確保のために製品の点検とメンテナンスを行うよう、レイザー社では推奨いたします。

警告: 親が管理する高速/低速 (HIGH/LOW) 切り替えスイッチ: Crazy Cart Shift には、子どもが乗る前に、大人が手動で設定することができ、高速/低速 (HIGH/LOW) 切り替えスイッチがあります。このスイッチによって未熟な運転者のために監督者が Crazy Cart Shift 速度を低めに抑えることができます。

メーカーによる運転者の推奨最低年齢は「高速」(HIGH) に設定した場合は8歳以上、「低速」(LOW) に設定した場合は6歳以上です。初期状態の設定は「高速」です。

警告: 6歳以下、または体重が54kgを超える子ども向けではありません。Crazy Cart Shift のような製品は、乗れば危険を伴うのが当然です。親には、子どもを年齢に照らし合わせて、乗せても大丈夫な製品かどうかを判断する責任と、いろいろな年齢の子どもたちが、同じ乗り物に乗るのを監督する責任があります。すべての製品が年齢、身長や体重がさまざまな子どもたちに適しているとは限りません。また、本製品のような乗り物の場合、危険の内容、ユーザーがそれら危険に対処する上で望ましい知能や体力(時には両方)について、年齢に応じた推奨事項があります。

6歳未満の子どもは本製品に乗せないことを推奨します。これは、年齢、体重、身長だけでなく、望ましい成熟度、技術、さらには体格も考慮しています。推奨ユーザーされる年齢が6歳以上というのは単なる目安であり、ユーザーの体格、体重、技術に左右されるので、6歳の子どもなら誰でも大丈夫とは言えません。確実に言うことは、Crazy Cart Shift に体がうまくフィットしないユーザーは乗ろうとするべきではありません。子どもを本製品に乗せるかどうかは、**子どもの成熟度、技術、そして規則に従えるかどうかで判断してください。**大人はレイザー社の推奨事項を無視せず、ユーザー推奨年齢未満の子どもを Crazy Cart Shift に乗せることがないよう、レイザー社は強く忠告いたします。

体重が54kgを超えないようにしてください。体のサイズがCrazy Cart Shift に適している、あるいは制御できるかどうかは、ユーザーの体重だけが問題ではありません。小さな子どもは本製品に近づかないようにし、本製品が最低でも快適にうまく操作できる人のみを対象としていることを忘れないでください。

ケガをする恐れがある人、敏捷性や安全指示を理解し遵守する知能に問題がある人、製品に乗る上で避けられない危険を把握する能力に問題がある人は、乗りこなす力がないので、製品に乗ったり乗せたりしないでください。心臓、頭部、背中、首などに疾患を持つ人(またはこれら身体部位の手術を過去に受けたことのある)や妊婦は、本製品を使用しないでください。

備考: 本マニュアルでは、本製品の保守、点検、および正しい使用方法に関し、多くの警告と注意を記載しています。いかなる事故も大ケガや万が一の死亡につながる恐れがあるため、そうした大ケガや死亡に関する警告は繰り返しません。

Crazy Cart Shift の点検およびメンテナンス
ご使用に先立って、カバーとガードが全てあるべき所であり、所期の機能を果たせる状態にあることを確認、検証してください。パーツが適切に機

能し、主駆動ホイールが摩耗して交換の必要がある状態ではないことを確認してください。Crazy Cart Shift は、メーカーの純正交換部品のみを使用し、メーカーの仕様に従ってメンテナンスおよび修理を行い、メーカーオリジナルの設計や構成から改造しないください。摩耗または破損している部品は、直ちに交換してください。

警告: 安全な運転には十分な注意が必要です。この製品には従来のブレーキはありません。停止はアクセルペダルと操舵を行います。この取扱説明書の「操作方法」のセクションを読み、Crazy Cart Shift 使用の技術を練習してください。

- **Crazy Cart Shift に乗る場所の法令を必ず確認し、遵守してください。** Crazy Cart Shift は私有地や一般道から隔離されたコースで乗り、公道や歩道では運転しないでください。歩行者がいたり車が通る場所では、本電動製品に乗らないでください。
- きちんと座って安全に運転するのに適した屋外でない限り、Crazy Cart Shift の電源を ON にしたり、アクセルペダルを踏んないでください。Crazy Cart Shift から離れた際は、必ず電源スイッチを OFF にしてください。
- モーター、操舵システム、ホイール、その他の可動部品からは指などの身体部分を近づけないでください。
- 運転中は常にハンドルを握ってってください。使用中や運転した直後、Crazy Cart Shift のハブモーターに触らないようにしてください。ハブモーターが熱くなっている場合があります。
- 慎重に運転してください。障害物のため、車輪が当たったり、急に曲がったり、制御できなくなったりしないように注意してください。歩行者、スクーター、スクーター、キックスケーター、自転車、子ども、動物など、進行方向の障害物を選択するように注意し、他人の権利や所有物を尊重してください。
- 本製品は性能と耐久性を意図したのですが、ダメージを受けた場合は影響が出ます。障害物に衝突するなど、乱暴な運転は過剰な力やダメージを与え、Crazy Cart Shift を含め、いかなる製品をも損傷する恐れがあります。ユーザーは無謀な運転に伴うリスクすべての責任を負うものとします。本製品は「ハンパカー」ではありません。
- 本電動製品に他人を同乗させないでください。
- 運転中、絶対にヘッドホンや携帯を使わないでください。他の製品をつながないでください。
- 雨天時や極寒の天候下では Crazy Cart Shift に乗らないようにし、絶対に製品を水に浸さないでください。水により電装品や駆動部品が損傷するなど、安全性を損なう問題の原因となります。
- 走行面が濡れている、ツルツルしている、デコボコしている、段差がある、起伏があるといった場合、危険が増します。ぬかるみ、凍結、水たまりなど本電動製品を運転しないでください。下り坂を走行する際、スピードを出さずしないでください。電動製品を屋内で運転すると、カーペットやフローリングなどの表面を損なう原因となります。
- 階段やスイングプールの近くでは絶対に運転しないでください。
- 夜間など視界の悪い条件下では乗らないでください。
- 使用中(または使用後)は、製品の電気モーターがたいへん熱くなっていることがありますので、絶対に触れないでください。
- Crazy Cart Shift の危険な運転をするスタントマンをテレビやビデオで見ることがあるかもしれませんが、そうした人たちは長年にわたる練習を積んできた人たちであり、危険な運転のリスクを分かっていてる人たちです。大変危険なので、決して真似をしないでください。
- 自分の技能レベルを冷静に判断してください。高度な運転ほど、ケガの危険が高まります。ユーザーは危険な運転に伴うリスクの全責任を負うものとします。

運転時の服装について
認められた安全ヘルメット(あごひもを確実に締め付けられるもの)など、適切な保護具を常に着用してください。居住地の法令でヘルメット着用が義務づけられている場合があります。肘当てや膝当て、長袖ジャズ、長ズボン、グローブの着用を推奨します。必ず運動靴(靴底がゴムで紐付きの靴)を履き、裸足やサンダルの運転は絶対しないでください。靴紐は確実に縛り、車輪、モーター、駆動機構に巻き込まれないよう離してください。

JA

充電器の使用

- 充電器を分解したり、改造しないでください。改造すると火災の原因になります。間違ったバッテリーまたは充電器を使用すると、爆発するおそれがあります。
- ご使用前にバッテリーを 12 時間以上充電してください。
- ご使用後は本体の電源を切ってください。電源が入ったまま放置すると再び充電できない場合があります。
- 0℃以下の場所には保管しないでください。バッテリーを 0℃以下の場所に保管すると故障の原因になります。
- 絶対に電気系統を改造しないでください。改造は火災の原因となります。間違ったタイプのバッテリーや充電器を使用すると、爆発する恐れがあります。
- 使用前：最低12時間バッテリーを充電し、タイヤの空気圧を適切にしてください。
- 充電は気をつけて行ってください。
- 使用後はスイッチを OFF にしてください。ONのままにしておくと、バッテリーを再充電できなくなる可能性があります。
- 氷点下で保管しないでください。氷点下になると、バッテリーが致命傷を受けます。
- Crazy Cart Shift に同梱の充電器は、コード、プラグ、筐体、その他の部品に損傷がないか定期的に点検してください。損傷が見つかった場合、充電器を修理または交換するまで、Crazy Cart Shift を充電しないでください。
- レイザー社が推奨する充電器のみを使用してください。
- 充電器は玩具ではありません。充電器は大人だけが取り扱ってください。

- 可燃物や裸火の近くで充電器を使用しないでください。
- 使用していない時は、Crazy Cart Shift から充電器を外してください。
- 充電時間をオーバーしないようにしてください。
- 濡れた布で拭いたり、掃除したりする時は、必ず充電器から Crazy Cart Shift を外しておいてください。

常識を働かせなかったり、警告を無視したりすると、大ケガの危険が高まります。適切な注意と安全使用に対する十分な注意をもって使用してください。

限定保証

この製品に対する保証は、この限定保証のみです。その他の保証は明示的なもの、暗示的なものどちらもありません。メーカーの保証期間は、本製品のお買い上げ日から 90 日間となります。本製品を以下の通りご使用になった場合は、本限定保証の対象外となります。

- レクリエーションや移動目的以外の使用
- 改造した場合
- レンタル使用。



防漏型鉛酸バッテリーを使用しています。バッテリーは必ずリサイクルしてください。



! 경고: Crazy Cart Shift 는 "일반"카드(작은 경주용 자동차)와는 다른 승차제품이며 따라서 **보통의 고가트를 탈 때보다 더 높은 난이도의 기술이 필요할 수 있습니다.** Crazy Cart Shift 는 등글레 자유로히 움직일 때나 (드리프팅) 원을 그리며 회전을 할 때에도 전진, 후진, 측면 이동을 할 수 있도록 설계되어 있습니다. 그리고 "기존의"브레이크 대신 이러한 기능들을 사용하여 **아주 급경거나 아주 빨리 브레이크를 작동할 수 있게 합니다.** 빠른 회전이나 기타 빠른 이동 동작 또는 Crazy Cart Shift 의 각 기능을 모두 사용하기 전에, 먼저 천천히 배우면서 Crazy Cart Shift 고유의 방향성 컨트롤 및 브레이킹 성능에 익숙해지고 편안해질 때까지 충분한 시간을 두어야 합니다. 이 제품은 **평평하고 개방되어 있으며, 차량 통행이나 기타 장애물이 없는 공간에서 사용해야 합니다.**

! 경고: 전기로 가동되는 승차제품을 타는 것은 그 자체가 위험한 활동입니다. 제조상의 결함이 없어도 특정 조건에 따라 장비가 고장날 수도 있습니다. 다른 전기로 가동되는 승차 제품과 마찬가지로 Crazy Cart Shift 는 이동할 수 있도록 고안되었습니다. 따라서 어떠한 주의, 설명서 또는 전문적 기술로도 어쩔 수 없이 제어력을 잃거나, 넘어지거나, 위험한 상황에 처할 수 있습니다. 만약 이런 일들이 일어나면, 안전 장비나 기타 예방조치에도 불구하고 심각한 부상을 입거나 사망할 수 있습니다. 본 제품 사용 시 위험을 감수하셔야 하며 상식을 발휘하십시오.

! 경고: 부모 및 성인이 책임지고 감독해야 합니다. 본 설명서에는 중요한 안전에 관한 정보가 포함되어 있습니다. 이 정보를 검토하고 타는 모든 사람들에게 경고, 주의, 사용 설명서 및 안전에 관한 문제들을 이해시키고, 타는 어린이들이 이 제품을 안전하고 책임감 있게 사용할 수 있도록 하십시오. Razor 사는 사용할 어린이들과 이 설명서를 정기적으로 검토하고 설명서의 내용을 강화하며, 자녀들의 안전을 보장하도록 어린이들의 제품을 검사하고 유지보수할 것을 권장합니다.

! 경고: 부모가 통제하는 고속/저속 (HIGH/LOW) 스위치: Crazy Cart Shift 의 고속-저속 스위치는 어린이가 타기 전에 부모가 수동으로 설정할 수 있습니다.

제조업체는 최저 권장 연령을 고속 (HIGH) 설정 시에는 8 세 이상 그리고 저속 (LOW) 설정 시에는 6 세 이상으로 정합니다. 기본 설정은 고속입니다.

! 경고: 6세 미만의 아동이나 54kg 이상 체중이 나가는 경우 이용하면 안 됩니다. Crazy Cart Shift 와 같은 제품 사용 시 명백히 잠재적인 위험이 따르며, 아동의 연령에 적합한 라이딩 제품을 선택해야 하며 부모의 책임을 다하여야 하며, 또는 다양한 연령의 아동들이 동일한 라이딩 제품을 이용할 경우 부모의 감독이 중요함을 인식해야 합니다. 모든 제품이 모든 나이 또는 키의 어린이에게 적합하지는 않기 때문에, 이 종류의 승차제품들은 권장 연령을 구분하여 위험의 성격과 위험에 대처하는 어린이의 요구되는 신체 또는 정신적 능력과는 둘 다를 반영하도록 합니다.

Razor 사는 6세 미만의 어린이의 이 제품 사용을 금지하기를 권장합니다. 이 권장 사항은 연령, 체중, 신장뿐만 토대로 한 것이 아니라 예상 성숙도, 숙달 기술 및 신체 크기를 반영한 것입니다. 권장하는 탑승자의 연령인 6세 이상은 오직 추정치에 탑승자의 크기, 체중 또는 기술에 따라 달라집니다. 모든 6세 아동이 이 제품에 적합하지는 않습니다. Crazy Cart Shift 에 편안하게 탈 수 없는 탑승자는 당연히 이 제품에 탑승할 안되지만, 자녀의 이 제품 탑승 여부를 허용하는 부모의 결정은 자녀의 성숙도, 기술, 규칙 준수 능력을 토대로 해야 합니다. Razors는 모든 성인들에게 Razor 사의 권장사항을 무시하지 말고 기존 연령보다 어린 자녀들의 Crazy Cart Shift 탑승을 허락하지 않도록 강력하게 조언합니다.

제한 체중인 54kg을 초과하지 마십시오. 사용자의 체중이 반드시 Crazy Cart Shift 에 딱 맞거나 제어하는데 적합한 크기임을 의미하지는 않습니다. 본 제품은 소아용의 손에 닿지 않는 곳에 보관하십시오. 본 제품은 최소한 이 제품의 운행 중 완전히 편안하고 자신 있는 사람들만이 사용하도록 고안되었음을 명시하십시오.

부상을 잘 입거나, 또는 육체적 민첩성, 안전설명서의 인식, 이해 및 준수, 그리고 이 승차제품의 사용에 따른 위험 파악 등의 정신적 능력을 저해할 수 있는 정신적 또는 육체적 상태에 있는 사람들은 자신의 능력에 적합하지 않은 제품을 사용해서는 안되며 이를 허용해서는 안됩니다. 심장병이나, 머리, 허리 또는 목 질환이 있는 경우 (또는 신체 이 부분에 대한 수술을 받은 적이 있는 경우) 또는 임신부는 이 제품을 작동하지 않도록 주의해야 합니다.

참고: 이 매뉴얼에는 전기로 가동되는 승차 제품의 유지보수 및 검사 또는 적절한 사용을 하지 않을 경우의 결과에 대한 많은 경고와 주의가 포함되어 있습니다. 모든 사고들이 심각한 부상 또는 심지어 사망을 초래할 수 있기 때문에, 이러한 가능성이 언급될 때마다 매년 심각한 부상이나 사망의 가능성에 대한 경고를 반복하지는 않았습니다.

확인 및 유지관리

이 제품을 사용하기 전에 모든 보호대나 기타 덮개와 보호대가 제대로 장착되어 있고 작동 가능한 상태인지 확인하십시오. 부품들이 정상적으로 기능하거나 그리고, 추구동바퀴가 닳아서 교체할 필요가 있는지 확인하십시오. Crazy Cart Shift 는 제조사의 규격에 따라 제조사 공인의 교체 방법뿐만 유지관리하고 수리해야 합니다. 제조사의 원래 설계와 구성을 변경하거나 개조하면 안됩니다. 닳거나 손상된 부품은 즉시 교체하십시오.

! 경고: 안전한 작동은 세심한 주의를 요구합니다. 이 제품은 종래의 브레이크를 사용하지 않습니다. 정지는 가속 페달과 스티어링으로 합니다. 이 매뉴얼의 "작동 방법"을 읽고 Crazy Cart Shift 사용 기술을 연습하십시오.

- Crazy Cart Shift 를 사용할 수 있는 장소에 관한 현지 법 또는 규정들을 확인하여 준수하십시오. Crazy Cart Shift 는 개인 사유지 및 폐쇄된 길에서 사용해야 하며 일반 도로나 보도에서 사용할 수 없습니다. 보행자나 차량이 통행하는 지역에서는 전기로 가동되는 승차제품을 타지 마십시오.
- 사용자가 좌석에 탑승하고, 라이딩(승차)에 적합한 안전한 야외 환경에 있는 경우에만, Crazy Cart Shift 의 전원 스위치를 ON(은)으로 하여 켜거나 가속 페달을 밟고 작동시킬 수 있습니다. Crazy Cart Shift 에서 내리기 전에 항상 전원 스위치를 OFF(오프)로 돌려 끄십시오.
- 손가락 및 신체 일부가 모터, 스티어링 시스템, 바퀴 및 기타 움직이는 부품에 닿지 않도록 하십시오.
- 항상 핸들을 잡고 있어야 합니다. 사용 중 또는 타고난 직후 Crazy Cart Shift 의 허브 모터를 만지지 마십시오. 이러한 부품들은 매우 뜨거워질 수 있습니다.
- 방어적으로 타십시오. 바퀴를 급정거시키거나 또는 갑자기 방향을 바꾸게 만들거나 제어를 잃게 할 수 있는 방해물들을 조심하십시오. 보행자, 스케이트, 스케이트보드, 스쿠터, 자전거를 타는 사람들, 진행 경로에 들어올 수 있는 어린이 또는 가족들을 피하도록 주의하고, 타인의 권리와 재산을 존중해야 합니다.
- 이 제품의 성능과 내구성을 갖추도록 제작되었지만, 그렇다고 해서 손상되지 않는 것은 아닙니다. 장애물에 부딪히거나 난폭하게 라이딩할 경우 Crazy Cart Shift 와 같은 종류의 제품에 무리가 커서 손상될 수 있으며, 사용자(라이더)는 무리가 가는 행동에 따른 모든 위험을 감수해야 합니다. 이 제품은 "벌써가"가 아닙니다.
- 전기로 가동되는 승차제품을 승객을 태우거나 한 명 이상이 라이딩을 해서는 절대로 안 됩니다.
- 라이딩하는 동안 절대로 헤드폰이나 휴대폰을 사용하지 마십시오. 다른 제품에 함께 타지 마십시오.
- 전기와 구동 부품들은 물에 닿을 경우 손상을 입거나 위험한 상황을 초래할 수 있으므로 비가 오거나 얼음이 어는 날씨에서는 Crazy Cart Shift 를 타지 마시고 절대로 이 제품을 물에 넣지 마십시오.
- 절거나, 미끄러거나, 울퉁불퉁하거나, 고르지 않거나 거친 표면은 위험성을 높입니다. 이 전기로 가동되는 승차제품을 진흙, 얼음, 진탕 또는 풀이 있는 곳에서 사용하지 마십시오. 내리막길에서는 과속을 피하십시오. 전기로 가동되는 승차제품을 실내에서 사용함으로써 카펫이나 마루를 손상하는 위험을 초래하지 마십시오.
- 계단이나 수평면 근처에서 사용하지 마십시오.

KO



- 밟는 시각감도에 제한이 있을 때는 타지 마십시오.
- 나 동영상을 보시면 Crazy Cart Shift 로 모기 및 곡예를 선보이는 사람들을 볼 수 있습니다. 이러한 사람들은 오랜 시간 연습을 해왔고 모기 라이딩에 따른 위험을 인지하고 있습니다. 위험 없이 이러한 모기를 똑같이 따라 할 수 있다고 생각하지 마십시오.
- 항상 조심하고 자신의 한계를 인지하십시오. 라이딩의 난이도가 높아질수록 부상의 위험도 높아집니다. 라이더는 과감한 라이딩 행동에 따른 모든 위험을 감수해야 합니다.

적합한 라이딩 복장

승인된 (턱 끈이 확실하게 잠긴) 안전 헬멧과 같은 보호장비를 늘 착용하십시오. 헬멧은 귀하 지역의 현지법에 의해 규정되어 있을 수도 있습니다. 또한, 팔꿈치 및 무릎 패드, 긴 소매 셔츠, 긴 바지와 장갑들을 권장합니다. 늘 운동용 신발(끈이 위에 있고 고무 바닥인)을 신으시고 절대로 맨 발이나 샌들을 신고 타서는 안됩니다. 신발 끈은 꼭 매도록 하며 바퀴, 모터, 구동시스템에서 멀리 하도록 하십시오.

충전기 사용 방법

- 절대로 전동 시스템을 개조해서는 안됩니다. 개조 시 화재를 유발할 수 있습니다. 잘못된 건전지 또는 충전기를 사용할 경우 폭발을 초래할 수 있습니다.
- 매 사용 전: 최소 12 시간 이상 배터리를 충전하십시오.
- 사용 후 항상 고십시오. 건전지를 사용하지 않을 때 켜 상태 ("ON")로 두면 재충전되지 않을 수도 있습니다.
- 영하의 온도에 보관하지 마십시오! 영하의 온도에 보관하면 배터리가 영구적으로 손상됩니다.
- Crazy Cart Shift 에 포함된 충전기는 수시로 검사하여 코드, 플러그, 봉포물, 기타 부품에 손상이 있는지 확인하여야 합니다. 이러한 손상이 있을 경우, 충전기가 보수될 때까지 또는 교체될 때까지 Crazy Cart Shift 를 충전하지 마십시오.

- Razor 에서 추천한 충전기만 사용하십시오.
- 충전 시에는 주의를 기울이십시오.
- 충전기는 장난감이 아닙니다. 충전기는 어른만이 작동할 수 있습니다.
- 가연성이 있는 물질이나 타고 있는 불길 근처에서 충전기를 작동하지 마십시오.
- 충전기는 사용 하지 않을 시 플러그를 뽑고 Crazy Cart Shift 와의 연결을 차단하십시오.
- 충전 시간을 초과하지 마십시오.
- 젖은 천으로 닦고 세척하기 전 반드시 충전기에서 Crazy Cart Shift 의 연결을 끊으십시오.

상식을 따르지 않고 경고를 무시할 경우 심각한 부상을 입을 가능성이 높아집니다. 안전한 작동을 위해 적합한 주의를 기울이고 집중해야 합니다.

제한적 보증:

이 제한적 보증은 오직 이 제품에 대해서만 보증합니다. 이 외에 다른 명시적 또는 암묵적 보증은 없습니다. 제조업체는 본 제품에 제조상의 결함이 없음을 구매일로부터 90일간 보증합니다. 본 제한적 보증은 다음의 경우 무효가 됩니다.

- 레크리에이션 또는 운송 이외의 방식으로 사용했을 경우
- 어떠한 식으로든지 개조된 경우
- 렌트된 경우



폐기된 비유출 납축전지를 포함합니다. 배터리는 재활용해야 합니다.



警告： Crazy Cart Shift 有別於「一般」的高卡車，因此相比一般的高卡車可能需要更好的技能。Crazy Cart Shift 的設計允許向前、向後、橫向移動和漂移，甚至原地轉圈 - 它沒有「傳統的」剎車，但它利用這些功能同樣可以做到快速停車和剎車。務必要注意的是，開始時切記要慢，慢慢熟悉和適應 Crazy Cart Shift 獨特的方向控制和剎車能力，然後再嘗試快速轉彎或其他快速移動動作，或另外嘗試充分利用 Crazy Cart Shift 的功能。請於平坦空曠，沒有車流或其他障礙物的地方使用本產品。

警告： 騎乘任何電動產品均屬危險活動。某些情況可能導致設備故障，並非製造商過失所致。和其他電動騎乘產品一樣，Crazy Cart Shift 預期目的也是用於移動，因此它有可能失控、跌落和/或陷入危險境地，這是再怎麼小心、再多說明或專業技能也無法消除的。即便採用安全設備並採取其他安全預防措施，如果發生這類情況，使用者仍可能嚴重受傷甚至死亡。請自行承擔騎乘風險，並應運用常識。

警告： 須由家長/成年人負責和監護：此手冊含有重要安全資訊。您有責任檢視這些資訊並確保所有騎手瞭解所有警告、注意事項、說明和安全事項，並確保年幼的騎手能夠安全負責地使用本產品。Razor 建議您定期檢視並讓年幼的騎手強化瞭解本手冊中的資訊。您還要檢查並維護您孩子的產品，確保他們的安全。

警告： 家長控制高/低 (HIGH/LOW) 速開關：Crazy Cart Shift 有一個成人在兒童騎車前用手選擇高-低速開關，此開關容許家長為初用騎用著減低 Crazy Cart Shift 的速度。

製造商建議為最低8歲以上的騎用者設置於高速位置，而為6歲以上的騎車者騎用者設置於低速位置。預置位置是高度速。

警告： 6歲以下兒童或超過 54 公斤的人不宜使用。因為像 Crazy Cart Shift 使用過程中確實存在潛在危險，因此務必認識到：父母有責任選擇適合孩子年齡的騎乘產品，或者父母應在一旁監護，因為有時不同年齡的孩子可能會接觸到同騎乘產品，這很重要。並非每款產品均適合每個年齡或體型的兒童使用，故此類產品通常附有建議使用年齡資訊，此等資訊反映危險的性質，以及應對此等危險應具備的智力或體能。

Razor 建議 6 歲以下的兒童不得使用本產品。該建議的基礎不僅是年齡、體重或身高 - 它反映了對預期成熟程度和技能以及體型的考慮。建議騎乘年齡 6 歲或 6 歲以上只是個預估年齡，它會受到騎手體型、體重或技能的影響 - 並非每個 6 歲大的兒童都適合使用本產品。當然，任何無法舒適騎乘 Crazy Cart Shift 的騎手都不應嘗試騎乘，但父母應根據孩子的成熟程度、技能和按照規則使用產品的能力來決定他或她的孩子是否應騎乘本產品。Razor 強調，強烈建議成年人不要忽視 Razor 的建議，或允許年幼兒童騎乘 Crazy Cart Shift。

騎乘者體重不可超過 54 公斤。騎手的體重並不代表該兒童的體型適合使用或能夠適當控制此 Crazy Cart Shift。將此產品置於年幼兒童無法觸及的地方，並謹記，本產品只適合至少感覺自如和勝任的人士使用。

因任何智力或身體問題，容易受傷、身體靈活性失調或令智力受到影響而無法意識、明白及遵循安全指引，以及無法明白使用產品的潛在風險的人士，不應使用或獲准使用與其能力不符的產品。心臟有問題或有頭部、背部或頸部疾病 (或在給身體這些部位做手術前) 的人士或孕婦應注意不要操作本產品。

注意： 此手冊含有許多警告和注意事項，涉及未能維護、檢查或正確使用電動騎乘產品的後果。由於任何意外都可能導致嚴重受傷甚至死亡，我們不會在每次提到這種可能性時重複警告可能出現的嚴重受傷或死亡。

檢查並維護

使用前，請檢查任何及所有罩和蓋子是否有移位，確認能否正常使用。

用。檢查零件能否正常運作，以及主要驅動輪胎是否磨損及需要更換。應根據製造商規格維護和維修 Crazy Cart Shift，僅使用製造商授權的替換零件，且不得對製造商的原廠設計和配置進行改裝。立即更換所有已磨損或損壞的零件。

警告： 小心注意才能做到安全操作。此產品沒有傳統剎車 - 它透過加速踏板和轉向實現停車。請閱讀本手冊的「操作方法」章節，練習使用 Crazy Cart Shift 的技能。

- 時刻關注和遵守所有本地法律或法例關於 Crazy Cart Shift 的使用位置的規定。Crazy Cart Shift 只能用於私人場所和封閉的道路上，不可用於公共街道或人行道。請勿在有行人或車流出現的任何地方騎乘您的電動產品。
- 請勿將 Crazy Cart Shift 的電源開關撥到 **ON(開)** 位置，或按下/啟動加速踏板，除非您坐在 Crazy Cart Shift 上並處於適合騎乘的安全戶外環境中。離開 Crazy Cart Shift 前，請始終將電源開關撥到 **OFF(關)** 位置。
- 請保持您的手指和其他身體部位遠離引擎、轉向系統、車輪和所有其他運動組件。
- 必須時刻緊握方向盤。勿在騎乘時或騎乘後立即觸摸 Crazy Cart Shift 的引擎蓋，因為這些機件可能是很熱的。
- 騎乘時保持謹慎。小心可能會卡住車輪，或令您突然轉向或失控的潛在障礙物。小心避讓可能進入您車道的行人、溜冰者、滑輪車、滑板車、自行車、兒童或動物，並尊重他人的權利和財產。
- 本產品針對性能和耐用性製造，但不能抵抗損壞。撞上障礙物或其他激進的騎乘方式會導致承受過度應力並損壞任何產品，包括 Crazy Cart Shift。騎手將承受高應力活動帶來的所有風險。本產品並非「碰撞車」。
- 電動產品-次只能承載一個人。
- 騎乘時切勿佩戴耳機或使用手機。切勿依附於其他產品騎乘本產品。
- 請勿在潮濕或結冰的天氣使用 Crazy Cart Shift，切勿將此電動產品浸入水中，因為電氣和驅動部件可能被水損壞，或產生其他安全風險。
- 潮濕、滑溜、崎嶇或高低不平的地面可能加大風險。請勿於泥濘、結冰、有污水或在水中使用此電動產品。避免在下坡時超速騎乘。切勿冒險在室內使用此電動產品，避免損壞地毯或地板等表面。
- 切勿在樓梯或游泳池附近使用。
- 請勿在夜間或能見度較低的情況下騎乘。
- 您可能會在電視上或錄影節目中看到有人在 Crazy Cart Shift 上表演雜技或特技動作。這些人曾經受過長時間訓練，並自行承擔特技動作所帶來的一切風險。請不要認為您可嘗試做相同的特技動作，而不用承擔巨大的風險。
- 請務必小心並瞭解您的極限。隨著騎乘難度增大，受傷的風險亦隨之增大。騎手必須自行承擔激進騎乘活動所帶來的一切風險。

合適的騎乘服裝

時刻佩戴合適的保護裝備，如經安全許可的頭盔(扣好下巴扣帶)。您所所在國家的法律或法例可能規定佩戴頭盔。建議佩戴肘墊和膝墊，穿著長袖衫、長褲並佩戴手套。時刻穿著運動鞋(有橡膠鞋底的系帶鞋)，切勿赤腳或穿著涼鞋騎乘，應系緊鞋帶，並遠離車輪、發電機和驅動系統。

使用充電器

- 切勿改裝電動系統。改裝或會引致火警。誤用其他類型的蓄電池或充電器或會引致爆炸。
- 每次使用前：電池至少充電 12 小時。
- 每次使用完請關閉電源。電池在不使用時仍處於「開啟」狀態，或無法重新充電。

ZH



- 切勿存放於冰冷或低於冰點溫度的環境中！冰點溫度會對電池造成永久性損壞。
- 應經常檢查 Crazy Cart Shift 自帶的充電器，查看電線、插頭、外殼和其他零件是否損壞。如發生損壞，在維修或更換充電器之前切勿為 Crazy Cart Shift 充電。
- 請只使用 Razor 指定的充電器充電。
- 充電時請務必謹慎。
- 此充電器並非玩具。充電器應由成人操作。
- 請勿在可燃材料或明火附近使用充電器。
- 不用時請拔掉充電器的插頭並從 Crazy Cart Shift 上拔除。
- 充電時間不要過長。
- 使用濕布拭擦或清潔前，請確保先將充電器從 Crazy Cart Shift 上拔除。

缺乏常識或不遵從上述產品警告，將會增加嚴重受傷的風險。請務必謹慎小心並密切注意安全操作。

有限保證：

此有限保證為本產品的唯一保證。除此之外概無其他任何明示或默示的保證。

製造商保證本產品自購買之日起 90 天內無製造缺陷。

如發生以下情況，該有限保證即告失效：

- 作為非休閒或運輸用途；
- 擅自改裝；
- 出租。



含有密封防溢鉛酸蓄電池。
必須對蓄電池進行回收處理。

警告： Crazy Cart Shift 不同于“普通型”卡丁车，因此骑行时可能需要比普通卡丁车更高的技巧。Crazy Cart Shift 卡丁车可以完成向前、向后、侧向和弧线漂移运动，甚至可以完成定圆漂移。没有“传统的”刹车，**Crazy Cart Shift 卡丁车使用这些功能实现快速停止和刹车。**开始骑行时，请务必采用低速，花些时间熟悉并适应 Crazy Cart Shift 卡丁车独特的方向控制和刹车功能，然后循序渐进地尝试快速旋转或其他高速运动，逐步掌握 Crazy Cart Shift 的各种功能。**请在平坦空旷、没有车辆或其他障碍物的场地使用本产品。**

警告： 骑行任何电动产品都可能是危险的活动。某些条件可能导致设备出现故障，并非制造商的过错。和其他电动骑行产品一样，Crazy Cart Shift 可运动，这也是设计目的；因此，无论采取多么周全的防护措施、指导或有多么娴熟的技能，都可能会不可避免地发生失控、跌落和/或遭遇危险的情况。如果发生上述情况，即使使用安全设施和其他预防措施，都可能造成严重的伤亡。请自行承担风险，并具备常识。

警告：父母和成人应负责并监督： 本手册包含重要安全信息。您有责任回顾这些资料，确保所有骑行者了解全部的警告、注意事项、使用说明和安全议题，保证年轻的骑行者能够安全负责地使用该产品。Razor 建议您定期给年纪较小的骑行者回顾手册内容巩固理解，并且检查维护您子女使用的产品以确保使用安全。

警告：父母可控的 HIGH/LOW (高速/低速) 开关： Crazy Cart Shift 卡丁车设有一个 HIGH-LOW (高速-低速) 开关，儿童骑行之前，成人可手动进行设置。此开关允许父母为新骑手降低 Crazy Cart Shift 的速度。

制造商建议的最小骑行年龄在 HIGH (高速) 时为 8 岁以上，在 LOW (低速) 时为 6 岁以上。默认速度设置为 HIGH (高速)。

警告：6 岁以下或体重超过 54 公斤的儿童不宜使用。 因为像 Crazy Cart Shift 这样的产品就其用途而言会有也确实存在潜在危险，所以公认的是，在给孩子挑选适合其年龄段的骑行产品时父母应履行责任，或不同年龄段的儿童可能接触同类产品情况下父母应做好监管，这都至关重要。并非每种产品适合于每个年龄段或体型的儿童，不同年龄的建议产品请见该产品类别，该类别反映了危险的性质，以及儿童应对危险的预期智力和/或身体能力。

Razor 建议 6 岁以下儿童不得使用本产品。此项建议不仅基于年龄或体重或身高，还纳入了对使用者预期成熟度、技巧和体型的考虑。儿童建议使用年龄为 6 岁或以上仅为估值，可能会受到骑行者的体型、体重或技巧的影响，并非每个 6 岁的儿童都适合使用本产品。当然，任何不能舒适地使用 Crazy Cart Shift 的骑行者都不应尝试骑行，父母应该根据子女的成熟度、技巧和遵守规则的能力来决定是否允许其骑行本产品。Razor 强调，成人绝不可忽视 Razor 的建议或让年纪较小的儿童骑行 Crazy Cart Shift。

骑行者体重必须在 54 公斤以下。即使骑行者的体重符合条件，也不意味着其体型适合或能掌控 Crazy Cart Shift。将本产品放在年幼儿童无法接触到的地方，应记住，本产品只能由至少在操作时完全自如并胜任的人员使用。

因任何智力或身体问题而容易受伤、身体灵活性或智力可能受损而难以充分认识、理解和遵守安全指南、或难以理解本产品使用潜在危险的人士，不应使用或获准使用超出其能力范围的产品。患有心脏病、头部、背部或颈部疾病（或身体这些部位此前动过手术）的人员，或孕妇应注意不得操作本产品。

注意： 本手册包含许多警告和注意事项，旨在强调不正确维护、检查或使用您的电动骑行产品会造成的严重后果。因为任何事故都可能会造成严重的伤害甚至死亡，因此每次我们提及这样的可能性时，不再赘叙可能造成严重的伤害甚至死亡的警告。

检查并维护

使用前，请检查以确认任何及所有护链罩或其他罩或盖子处于正

确位置，并处于可使用状态。检查确保各部件功能正常，主驱动轮未磨损且无需更换。应根据制造商的规范维护并维修 Crazy Cart Shift，请勿使用制造商授权的更换零件，且不应更改制造商的原始设计和结构。立即更换磨损或破损的部件。

警告：安全操作需要高度的注意力。 本产品没有使用传统的刹车，而是通过操控油门踏板和方向盘实现停车。请参阅本手册的“操作方法”部分练习使用 Crazy Cart Shift 的技巧。

- 务必检查并遵守任何本地法律或法规，这可影响到 Crazy Cart Shift 的使用位置。Crazy Cart Shift 应在私人场所和封闭道路上使用，而不应在公共街道或人行道上使用。不可在有行人或车辆来往的任何地方骑行您的电动产品。
- 请勿将 Crazy Cart Shift 的电源开关设置为 ON (开) 或踩下/激活油门踏板，除非您已坐好且在户外适合骑乘的安全环境中。从 Crazy Cart Shift 上下车之前，务必将电源开关设置为 OFF (关)。
- 让您的手部和身体的其他部位远离电动机、转向系统、车轮和其他所有运动元件。
- 必须始终紧握方向盘。使用中或刚骑乘后，切勿触摸 Crazy Cart Shift 卡丁车的轮毂电机，因为这些部件变得非常烫。
- 骑行时注意防护。注意可能卡住车轮，或迫使您突然转向或失去控制的潜在障碍物。注意防止行人、溜冰者、滑轮椅、滑板车、自行车、儿童或动物可能与您相撞，尊重他人的权利并保护他们的财产。
- 本产品性能优良，经久耐用，但并不意味着不会损坏。碰撞到障碍物或其他猛闯过来的骑行物会强烈撞击并损坏任何产品，包括 Crazy Cart Shift，因此骑行者应承担与这些高强度活动有关的所有风险。本产品不是“碰碰车”。
- 切勿载人或允许许多人同时骑乘本电动产品。
- 骑行时不得佩戴耳机或使用手机。不得挂在其其他产品上骑行。
- 不得在潮湿或结冰天气骑行 Crazy Cart Shift，不得将本产品浸入水中，因为电气和驱动零部件可能被水损坏，或可能造成其他不安全的因素。
- 潮湿、光滑、颠簸、不平坦或粗糙表面会增加风险。不得在泥泞、结冰、水坑或水中骑行本电动产品。下坡时速度不要过快。请勿在室内使用电动产品，否则可能损坏沙发或地板等的表面。
- 不得在楼梯或游泳池附近使用。
- 不得在夜间或可见度受限情况下骑行。
- 您可能在电视上或视频中看到有人在 Crazy Cart Shift 上执行一些特技和高难度动作。这些人都经过了长时间的练习并承担技巧性骑乘的风险。请不要因此认为您也可以进行相同的技巧性尝试，这存在巨大的风险。
- 请务必慎重并懂得自己的能力限制。随着骑行难度的增加，受伤的风险也会加大。骑行者应自行承担所有与这些高难度骑行活动有关的风险。
- 骑行时正确的着装
- 务必佩戴适当的防护设备，如经批准的安全头盔（带有安全的下巴托）。您在位置的本地法律或法规可能要求佩戴头盔。另外，建议穿长袖衫、长裤并佩戴手套、护肘和护膝。务必穿运动鞋（系带鞋，橡胶鞋底），不得赤脚或穿着鞋骑行，系紧鞋带，并使其远离车轮、电动机和驱动系统。

使用充电器

- 不得更改电动系统。改动可引发火灾。使用错误类型的蓄电池或充电器可导致爆炸。
- 每次使用前：每次使用前至少充电 12 小时，并把轮胎充至正确气压。
- 每次骑行后关闭电源。如果在不使用时开启，可导致蓄电池不能充电。

ZH



- 不得存储在冰冻或低于冰冻温度环境中! 冰冻温度可导致蓄电池永久损坏。
- 应该定期检查 Crazy Cart Shift 自带的充电器以防其电线、插头、外壳和其他部件破损。遇到此类破损时, 在充电器修复或替换前不可给 Crazy Cart Shift 充电。
- 仅使用 Razor 推荐的充电器。
- 充电时请务必小心。
- 该充电器非玩具。充电器应由成人操作。
- 不得在可燃材料或明火附近操作充电器。
- 不用时拔掉充电器的插头并将其从 Crazy Cart Shift 上断开。
- 充电时间不得过长。
- 用湿布拭擦或清洁之前, 请先将 Crazy Cart Shift 从充电器上断开。

不遵守常识, 或不注意上述警告会进一步增加重伤危险。请务必谨慎并高度注意以确保安全操作。

有限保证:

该有限担保为该产品的唯一担保。除此之外不存在其它任何明示或默示的保证。

制造商保证, 本产品自购买之日起 90 天内无制造缺陷。

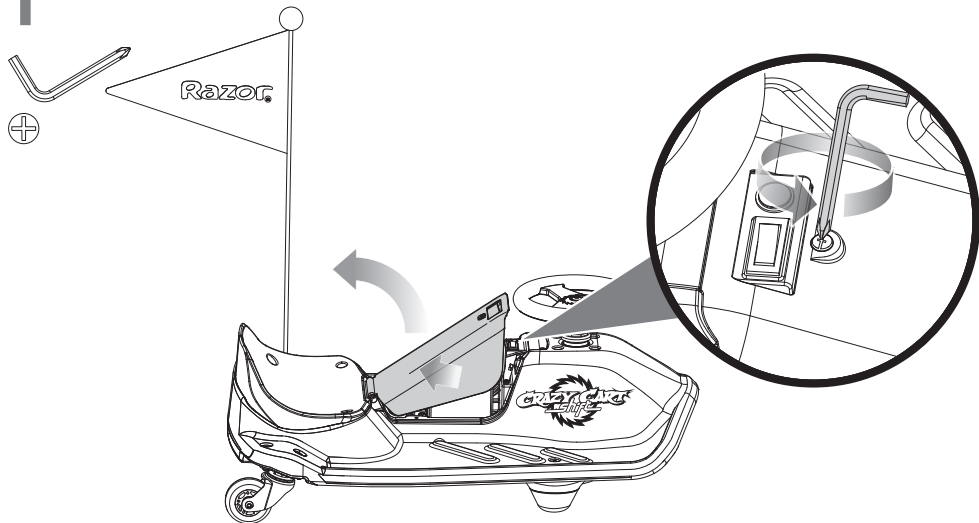
该有限保证在产品发生以下情况时无效:

- 用作娱乐或交通以外的其它用途;
- 以任何方式进行改装;
- 出租使用。

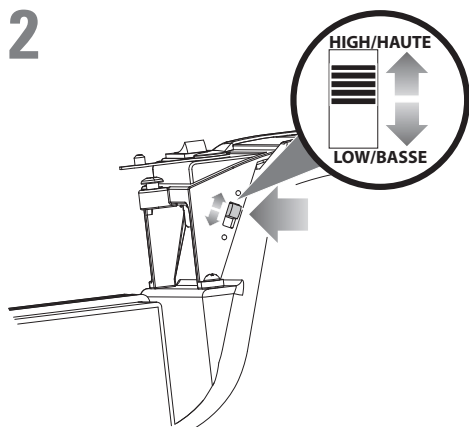


包含密封的防溢铅酸蓄电池。
蓄电池必须回收。

1

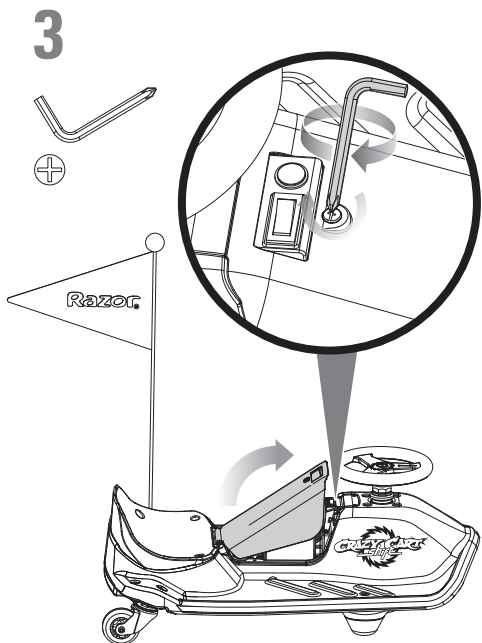


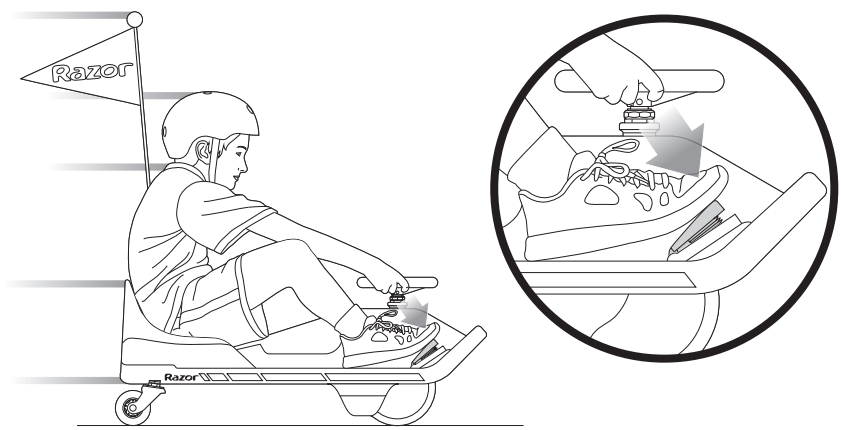
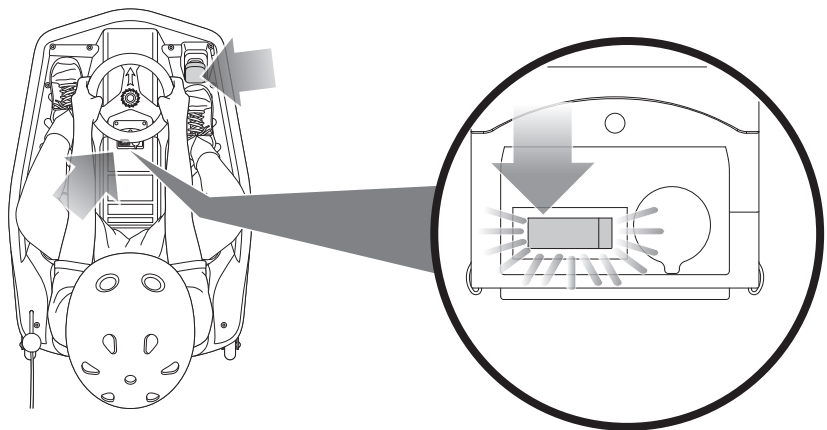
2



HIGH/ HAUTE	≤13 KM/H (8 MPH)
LOW/ BASSE	≤4 KM/H (2.5 MPH)

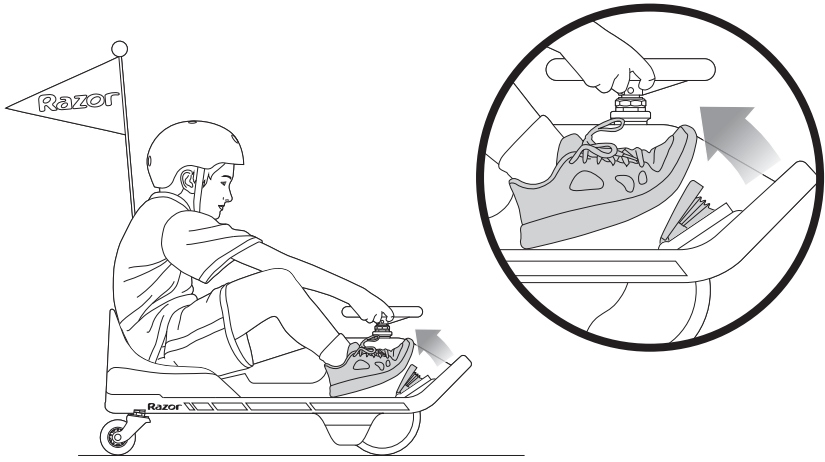
3



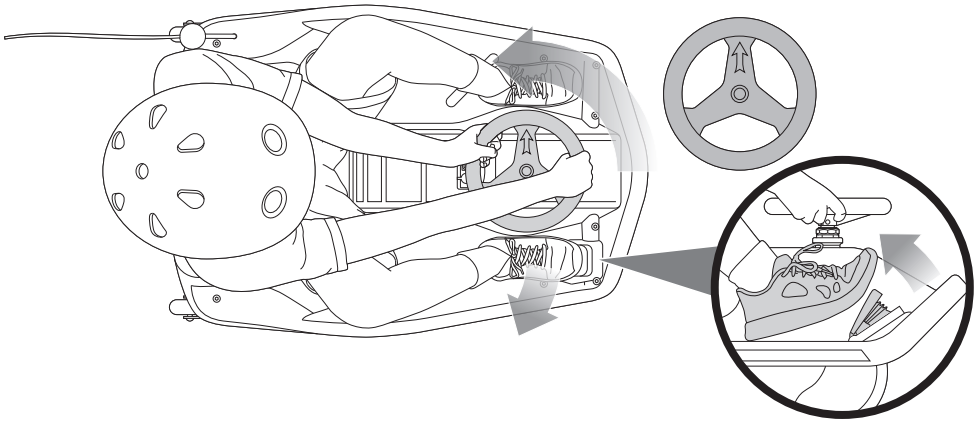




1

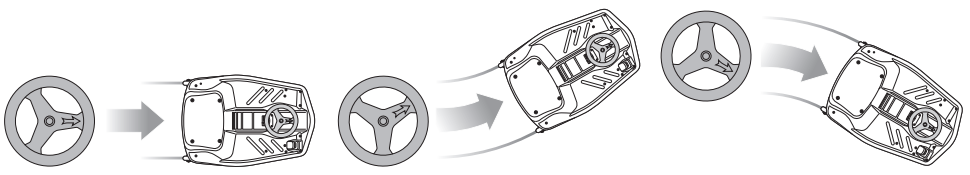


2



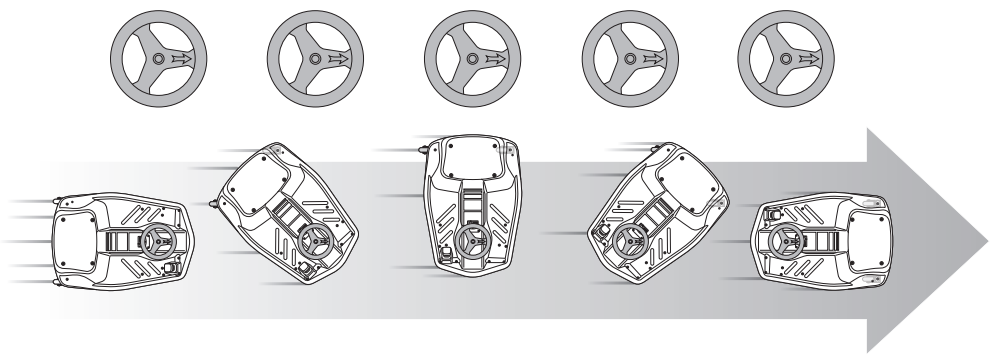


EN Direction of travel	HU Haladási irány	CS Směr Jízdy
FR Direction du déplacement	RU Направление движения	BG Посока на движение
ES Dirección de la marcha	SV Körriktning	TR Seyahat yönü
DE Fahrtrichtung	NO Retning av kjøretøyet	UK Напрямок руху
IT Direzione di guida	DA Køretøretning	JA 走行方向
NL Rijrichting	FI Kulkusuunta	KO 이동 방향
PT Sentido da deslocação	RO Direcția de deplasare	ZH 行駛方向
PL Kierunek jazdy	SK Smer jazdy	ZH 行进方向





EN Direction of travel	HU Haladási irány	CS Směr jízdy
FR Direction du déplacement	RU Направление движения	BG Посока на движение
ES Dirección de la marcha	SV Körriktning	TR Seyahat yönü
DE Fahrtrichtung	NO Retning av kjøretøyet	UK Напрямок руху
IT Direzione di guida	DA Køretretning	JA 走行方向
NL Rijrichting	FI Kulkusuunta	KO 이동 방향
PT Sentido da deslocação	RO Direcția de deplasare	ZH 行駛方向
PL Kierunek jazdy	SK Smer jazdy	ZH 行进方向



EN

**HOW TO OPERATE THE CRAZY CART SHIFT**

Before you ride this exciting product, take the time to learn about how it moves the way it moves. Start out slowly. With practice and care, you must familiarize yourself with these riding hints and tips so that your experiences with the Crazy Cart Shift will allow you to maximize fun while keeping in control.

Never turn the ON/OFF switch to **ON** before sitting down in the driver's seat of the Crazy Cart Shift. By getting yourself situated before turning the power **ON**, you won't risk losing your balance by pushing the accelerator pedal while standing as you get into (or out of) the Crazy Cart Shift. **ALWAYS** turn the ON/OFF switch to **OFF** before exiting the Crazy Cart Shift.

IMPORTANT CONTROL FEATURES:**PARENT CONTROLLED HIGH/LOW SPEED SWITCH**

Your Crazy Cart Shift features a hidden speed control switch that allows parents to discreetly reduce (or raise) the Crazy Cart Shift's top speed. This limiter is intended for parents of younger children and those needing extra practice time to learn how the Crazy Cart Shift moves.

The switch has been hidden inside the Crazy Cart Shift's battery compartment, such that riders cannot access it without using an Allen wrench. There are two settings:

- When the switch is in the HIGH position, the Crazy Cart Shift has a top speed of 8 mph (13 km/h). This is the default setting and recommended for riders age 8 and older.
- When the switch is in the LOW position, the Crazy Cart Shift's top speed is limited to 2.5 mph (4 km/h) and the recommended minimum rider age is 6 years old.

ACCELERATOR PEDAL AND STEERING WHEEL

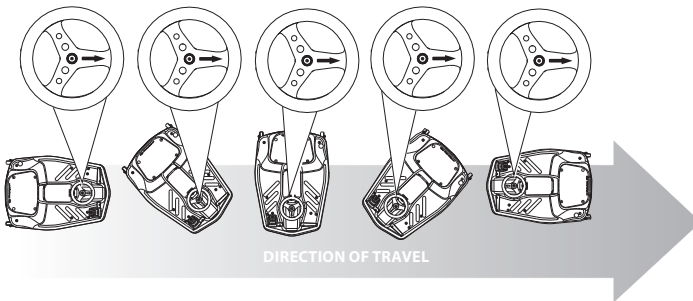
The Crazy Cart Shift allows really creative drifting, spinning and turning that no ordinary go-kart can do. If you have ridden a Razor RipStik® or a Razor RipRider® 360, think about those caster wheels and how they allow rapid changes of direction; or how a Razor Ground Force® Drifter™ go-kart allows full speed rear-end drifting. The Crazy Cart Shift builds on these motions and adds even tighter turning possibilities through the fully rotational front drive wheel and the rear caster wheels. Practicing with the Crazy Cart Shift can lead to amazing fun, and it is important, as with all moving products, to always exercise caution when riding.

ACCELERATOR PEDAL:

The Crazy Cart Shift has a foot pedal accelerator that controls the cart's speed. This variable speed accelerator allows you to drive the cart at a range of speeds from 0-8 MPH (0-13 KM/H) in the HIGH setting and 0-2.5 MPH (0-4 KM/H) in the LOW setting, depending on how much it is depressed.

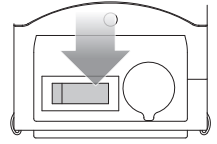
STEERING WHEEL:

The Crazy Cart Shift's steering wheel is different from a normal car or cart in a number of ways. The most important thing to remember about the Crazy Cart Shift's steering wheel is that the arrow on it points in the direction where the cart is going to travel, regardless of how the rest of the cart is oriented. Simply point the arrow where you want the cart to go (varying pressure on the accelerator pedal can change how the back of the Crazy Cart Shift follows, as described below).



The Crazy Cart Shift's steering wheel is able to rotate more than 170° in each direction. The steering wheel has a "hard stop" when it has reached the limit of its turning – it won't keep going around all the way, but by turning fully one direction or fully the other direction, you can ride the Crazy Cart Shift backwards - and by turning at or near 90° the Crazy Cart Shift can go in a very, very tight circle (be careful to avoid losing control by turning so much as to risk becoming dizzy).

The steering configuration of the Crazy Cart Shift's integrated drive and steering mechanism is similar to what some might call "bumper car" design. It has no self-correcting camber or castering features (meaning the steering tube goes straight up and down so the wheel doesn't "align" itself on its own). Such steering might, in certain circumstances, shimmy or vibrate a little - this is normal. Usually it is the



IMPORTANT: Always select a riding area that is level, smooth, dry, and completely free of traffic or obstacles. **DO NOT RIDE AROUND VEHICLES!**

RIDING TIP: Learning when to push and when to let off of the accelerator pedal will improve your ability to do spins, drifts, and tricks smoothly. The best way to learn the Crazy Cart Shift's abilities is to try things at low speed.

⚠ WARNING: Excessive duration or speed in spins can lead to loss of balance, loss of control and tipping. Keeping one's limbs and head tucked in tight to the center of the Crazy Cart Shift can reduce risks of tipping over because ergonomic forces can increase risk of tipping if the body is leaning outwards and/or the spinning speed accelerates too greatly. Take your foot off the accelerator pedal if spinning becomes too fast to control, do not try to accelerate out of a spin. The Crazy Cart Shift may accelerate faster when lighter riders are on it, which is one reason the minimum recommended age is 6. Be safety conscious!

result of an uncoordinated or adverse control condition. If you feel a shimmy in the steering, a change of direction ("counter-steering") and/or speed change helps re-establish smooth control.

SPINNING, DRIFTING AND STOPPING THE CRAZY CART SHIFT

The best use of the Crazy Cart Shift involves careful coordination of the steering and the accelerator. The majority of spins and drifts that can be done in the Crazy Cart Shift are accomplished by careful accelerator control and deliberate manipulation of the steering wheel. Learning where to point the arrow on the steering wheel and when to add or reduce power are the keys to smoothly controlling tricks. Smooth riding also increases the run time between charges. When first getting oriented with the Crazy Cart Shift, it is highly recommended that riders carefully apply the accelerator and take time to get familiar with the results of combining counter-steering and accelerator pedal control to manipulate the Crazy Cart Shift's spins and drifts.

There is no separate brake on the Crazy Cart Shift, but with practice it is easy to stop. Of course, removing your foot from the accelerator pedal will slow the cart down as a result of friction in the drive train. To stop the Crazy Cart Shift's forward motion immediately, take your foot off of the accelerator pedal and turn the steering wheel 90° to either side. Removing your foot from the accelerator pedal and turning the steering wheel will result in the Crazy Cart Shift spinning or drifting in a circle and slowing to a stop. By turning the steering wheel 90° and taking your foot off the accelerator pedal, the rider can immediately arrest forward motion and instead turn away. In this way, the Crazy Cart Shift can avoid collisions and evade objects in its path.

For your safety, take the time to get familiar and comfortable with various combinations of depressing the accelerator pedal and turning steering wheel to learn how to slow down and stop while maintaining control of the cart. Practice these skills for maximum rider safety.

These basic steering exercises may help to familiarize riders with their Crazy Cart Shift's capabilities:

1. First steer in a circle.
2. Make the same circles, vary how much you depress the accelerator pedal and note how the Crazy Cart Shift reacts as you increase and decrease speed while turning. You should notice that accelerating hard while turning results in the Crazy Cart Shift spinning out.
3. Still making the same circles, experiment with keeping the body of the cart from spinning out by 'counter-steering'. Counter-steering to stop the Crazy Cart Shift from spinning out is achieved by pointing the arrow on the steering wheel opposite the direction that the Crazy Cart Shift is spinning out in. So, for example, if you are turning hard toward the right, the cart may spin out in a clockwise direction. This spinning out can be countered by turning the steering wheel slightly to the left and/or reducing pressure on the accelerator pedal. Practice is the best way to master this skill.
4. Practice bringing the Crazy Cart Shift to a stop by taking your foot off the accelerator pedal and turning the steering wheel 90° to the left or right.
5. Practice staying "tucked in" during tight turns or spins.

⚠ WARNING: Recognize that these specialized riding features affect how the Crazy Cart Shift functions and require extra caution and attention to safe riding conditions and practices. Read and review the Safety Warnings, and be extra careful with the Crazy Cart Shift to avoid traffic, obstacles and downhill environments. This is not a "bumper car" and is not designed to engage in collisions, jumping activities or for use on surfaces other than hardened, smooth, flat and dry areas.

**COMMENT CONDUIRE LE CRAZY CART SHIFT**

Avant de conduire ce produit excitant, prenez le temps d'apprendre comment il fonctionne et se déplace. Lancez-vous lentement. Par le biais de la pratique et de l'attention, familiarisez-vous, par vous-même avec ces trucs et conseils de conduite afin de rendre votre expérience la plus amusante possible, tout en gardant la maîtrise du Crazy Cart Shift.

Ne placez jamais le commutateur de mise sous tension en position **ON**, avant de vous installer sur le siège conducteur du Crazy Cart Shift. En vous installant de façon appropriée, avant de placer le commutateur de mise sous tension en position **ON**, vous ne risquez pas de perdre l'équilibre en appuyant sur la pédale de l'accélérateur pendant que vous montez (ou descendez du) dans le Crazy Cart Shift. Tournez **TOUJOURS** le commutateur de mise sous tension jusqu'à la position **OFF**, avant de descendre du Crazy Cart Shift.

CARACTERISTIQUES TECHNIQUES DE COMMANDES IMPORTANTES:**INTERRUPTEUR PARENTAL DE VITESSE HIGH/LOW**

Votre Crazy Cart Shift dispose d'un interrupteur masqué de commande de vitesse qui permet aux parents de discrètement réduire (ou augmenter) la vitesse maximale du Crazy Cart Shift. Ce limiteur est destiné aux parents d'enfants jeunes ou aux utilisateurs qui ont besoin de plus de temps d'apprentissage des déplacements du Crazy Cart Shift.

L'interrupteur est caché à l'intérieur du compartiment de batterie du Crazy Cart Shift, de façon que les utilisateurs ne puissent pas y accéder sans une clé Allen. Il y a deux réglages:

- Quand l'interrupteur est en position HIGH, le Crazy Cart Shift a une vitesse maximale de 13 km/h. C'est le réglage par défaut, recommandé pour les utilisateurs de 8 ans et plus.
- Avec l'interrupteur en position LOW, la vitesse maximale du Crazy Cart Shift est limitée à 4 km/h et l'âge minimal recommandé pour l'utilisateur est de 6 ans.

PEDALE D'ACCELERATEUR ET VOLANT DE DIRECTION

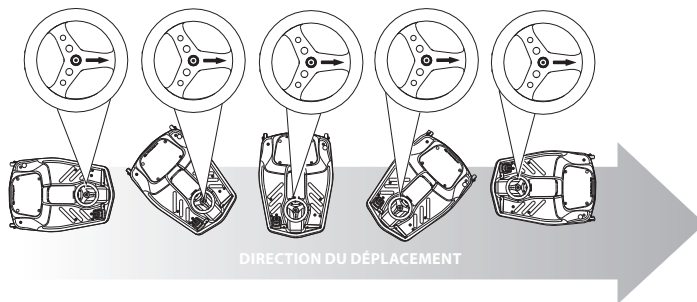
Le Crazy Cart Shift permet d'effectuer des dérapages, des rotations et des virages de façon vraiment créative, telle qu'aucun go-kart ordinaire ne peut faire. Si vous avez utilisé un RipStik de Razor® ou un RipRider 360 de Razor®, vous avez changé de direction rapides que les roues pivotantes permettent ou au kart Ground Force® Drifter™ de Razor, qui permet des dérapages de la partie arrière à pleine vitesse. Le Crazy Cart Shift utilise ces mouvements et ajoute des possibilités de virages encore plus serrés grâce au moteur central rotatif et à la capacité de réglage de l'angle de roues pivotantes arrière. L'utilisation du Crazy Cart Shift peut être extrêmement prenante, et il est important, comme avec tous les produits en déplacement, de rester toujours prudent pendant la conduite.

PEDALE D'ACCELERATEUR:

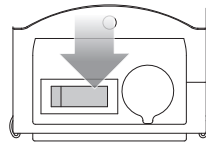
Le Crazy Cart Shift est doté d'une pédale d'accélérateur qui commande la vitesse du kart. Cet accélérateur à vitesse variable permet de conduire l'engin à des vitesses de 0 à 13 KM/H en position HIGH et de 0 à 4 KM/H en réglage LOW, en fonction de l'enfoncement.

VOLANT:

Le volant du Crazy Cart Shift présente de nombreuses différences par rapport au volant d'une voiture ou d'un kart normal. L'élément le plus important à retenir sur le volant du Crazy Cart Shift est que la flèche pointe la direction dans laquelle le kart se déplacera, peu importe l'orientation du reste du kart. Il suffit de pointer la flèche dans la direction où l'on souhaite aller (l'utilisation de la barre de dérapage peut changer le comportement de l'arrière du Crazy Cart Shift, comme il est décrit ci-dessous).



Le volant du Crazy Cart Shift peut tourner à plus de 170° dans chaque direction. Le volant est doté d'une « butée » au bout de sa limite de rotation; il ne peut pas faire de rotation complète, mais en tournant entièrement dans une direction ou l'autre, vous pouvez conduire le Crazy Cart Shift à reculons. Le Crazy Cart Shift peut également effectuer des cercles extrêmement serrés si le volant est tourné à 90° ou près de 90° (faire attention de ne pas perdre la maîtrise en risquant d'être étourdi pour avoir trop tourné).



IMPORTANT: Toujours choisir une surface de conduite de niveau, lisse, sèche et entièrement exempte de circulation et d'obstacles. NE CONDUISSEZ PAS AUTOUR DE VÉHICULES AUTOMOBILES !

CONSEIL DE CONDUITE:

Savoir quand enfoncer et quand relâcher la pédale d'accélérateur améliore votre capacité à réaliser des rotations, des dérapages et des figures en douceur. La meilleure manière de connaître les capacités du Crazy Cart Shift consiste à tenter des manœuvres à vitesse modérée.



AVERTISSEMENT: Des rotations sur place d'une durée ou d'une vitesse excessive risquent de provoquer la perte de l'équilibre, celle de la maîtrise du véhicule voire son renversement. Le maintien des membres et de la tête du conducteur fermement positionnés au centre du Crazy Cart Shift peut réduire les risques de renversement parce que les forces ergonomiques peuvent accroître le risque de renversement, si le corps penche vers l'extérieur et/ou si la vitesse de rotation sur place augmente de façon excessive. Retirez votre pied de la pédale de l'accélérateur, si la rotation sur place devient trop rapide pour la maîtriser; n'essayez pas d'accélérer à la sortie d'une telle rotation. Le Crazy Cart Shift peut accélérer plus vite lorsqu'il est monté par des conducteurs plus légers, ce qui est une des raisons pour lesquelles l'âge minimum recommandé est de 6 ans. Soyez conscient de l'importance de la sécurité !

La configuration de la direction du mécanisme de transmission et de direction intégré du Crazy Cart Shift rappelle la conception de ce que certains nomment un « chariot d'épicerie ». Il n'y a aucune caractéristique d'autocorrection du carrossage ou du pivotement (le tube de direction est droit de façon à empêcher la roue de « s'aligner » par elle-même). Dans certaines situations, une telle direction peut osciller ou vibrer légèrement, ce qui est normal. Il s'agit normalement du résultat d'une manœuvre mal coordonnée ou mal réalisée. Si vous sentez une vibration dans la direction, un changement de direction ou de vitesse peut vous aider à rétablir une conduite en douceur.

FAIRE TOURNER, DÉRAPER ET ARRÊTER LE CRAZY CART SHIFT

L'utilisation optimale du Crazy Cart Shift demande une coordination précise du volant et de l'accélérateur. La majorité des rotations et des dérapages réalisables avec le Crazy Cart Shift sont exécutés avec une commande précise de l'accélérateur et une manœuvre volontaire du volant. La clé d'une commande fluide des figures est d'apprendre où pointer la flèche du volant et quand augmenter ou diminuer la puissance. Une conduite en douceur augmente également le temps d'utilisation entre les charges. Pour faire ses premiers pas avec le Crazy Cart Shift, il est fortement recommandé aux utilisateurs de manier l'accélérateur avec précaution et de prendre le temps de découvrir les résultats de l'association du contre-braquage et d'une commande par la pédale d'accélérateur pour aborder les rotations et les dérapages du Crazy Cart Shift.

Le Crazy Cart Shift ne dispose pas de frein séparé mais avec la pratique, il est facile à arrêter. Bien évidemment, il suffit de lever le pied de la pédale de l'accélérateur pour ralentir le kart grâce au frottement de la transmission. Pour arrêter immédiatement le Crazy Cart Shift lorsqu'il est en marche avant, retirez le pied de l'accélérateur et tournez le volant à 90 degrés d'un côté ou de l'autre. Le fait de retirer le pied de l'accélérateur et de tourner le volant fait tourner ou déraper le Crazy Cart Shift en cercle jusqu'à l'arrêt complet. En tournant le volant à 90° et en retirant le pied de la pédale, l'utilisateur peut arrêter immédiatement un mouvement vers l'avant pour tourner et dévier de la trajectoire. De cette façon, il est possible d'éviter les collisions et les obstacles sur la trajectoire du Crazy Cart Shift.

Pour votre sécurité, prenez le temps d'apprendre et de maîtriser les diverses combinaisons d'enfoncement de la pédale d'accélérateur et de rotation du volant pour apprendre à ralentir et à vous arrêter en gardant le contrôle du kart. S'exercez pour maîtriser ces compétences et assurer la sécurité maximale de l'utilisateur.

Ces exercices de base de maniement du volant de direction peuvent aider les conducteurs à se familiariser avec les capacités de leur Crazy Cart Shift.

1. Tout d'abord, prenez un virage sous forme de cercle.
2. Répétez les mêmes cercles, avec des variantes dans l'enfoncement de la pédale d'accélérateur, et remarquez comment le Crazy Cart Shift réagit à l'augmentation ou à la diminution de la vitesse dans les rotations. Vous devriez remarquer qu'une accélération forte pendant la rotation fait chasser le Crazy Cart Shift vers l'extérieur.
3. Avec les mêmes cercles, essayez d'empêcher le corps du kart de chasser vers l'extérieur par « contre-braquage ». Le contre-braquage pour empêcher le Crazy Cart Shift de chasser vers l'extérieur s'obtient en faisant pointer la flèche du volant en sens opposé à la direction dans laquelle le Crazy Cart Shift s'écarte. Si par exemple vous faites un virage serré vers la droite, le kart peut chasser en sens horaire. Ce dérapage vers l'extérieur peut être contré en tournant légèrement le volant vers la gauche et/ou en réduisant la pression sur la pédale d'accélérateur. La meilleure façon de maîtriser cette technique est de s'exercer.
4. Exercez-vous à arrêter immédiatement le Crazy Cart Shift en retirant le pied de l'accélérateur et en tournant le volant à 90 degrés d'un côté ou de l'autre.
5. Entraînez-vous à rester « bien calé » dans les virages ou rotations serrés.

AVERTISSEMENT: Reconnaître que ces caractéristiques de conduite spécialisées ont une incidence sur le fonctionnement du Crazy Cart Shift et exigent une prudence et une attention particulière pour assurer des conditions et des méthodes de conduite sécuritaires. Lire et étudier les avertissements de sécurité d'utilisation et faire preuve de prudence avec le Crazy Cart Shift pour éviter la circulation, les obstacles et les descentes. Il ne s'agit pas d'une « auto tamponneuse » et il n'est pas conçu pour entrer en collision, effectuer des sauts ou rouler sur des surfaces qui ne sont pas dures, lisses, planes et sèches.

**CÓMO CONDUCIR EL CRAZY CART SHIFT**

Antes de conducir este emocionante producto, dedique el tiempo necesario para aprender cómo se mueve. Empezar lentamente. A base de práctica y atención, familiarícese con los siguientes consejos y sugerencias para que su experiencia con el Crazy Cart Shift sea plenamente divertida, pero sin perder el control.

No coloque nunca el interruptor de encendido en **ON** antes de haberse sentado en el asiento del conductor del Crazy Cart Shift. Si se coloca bien antes de seleccionar la posición **ON**, no corre el riesgo de perder el equilibrio al pisar de manera accidental el pedal del acelerador cuando entra o sale del Crazy Cart Shift. Coloque **SIEMPRE** el interruptor de encendido en la posición **OFF** antes de salir del Crazy Cart Shift.

ELEMENTOS DE CONTROL IMPORTANTES:**INTERRUPTOR DE VELOCIDAD ALTA/BAJA PARA CONTROL PARENTAL**

El Crazy Cart Shift posee un interruptor de control de velocidad que permite a los padres disminuir (o aumentar) con discreción la velocidad máxima del Crazy Cart Shift. Este limitador está pensado para los padres de niños pequeños y para aquellos que necesiten más tiempo de práctica para aprender cómo se mueve el Crazy Cart Shift.

El interruptor está oculto en el compartimento de la batería del Crazy Cart Shift, los conductores no tienen acceso a él sin usar una llave Allen. Hay dos configuraciones:

- Cuando el interruptor está en la posición ALTA, el Crazy Cart Shift tiene una velocidad máxima de 13 km/h. Esta es la configuración por defecto y la recomendada para conductores a partir de 8 años.
- Cuando el interruptor está en la posición BAJA, el Crazy Cart Shift tiene una velocidad máxima de 4 km/h y la edad mínima recomendada del conductor es de 6 años.

PEDAL DEL ACCELERADOR Y VOLANTE

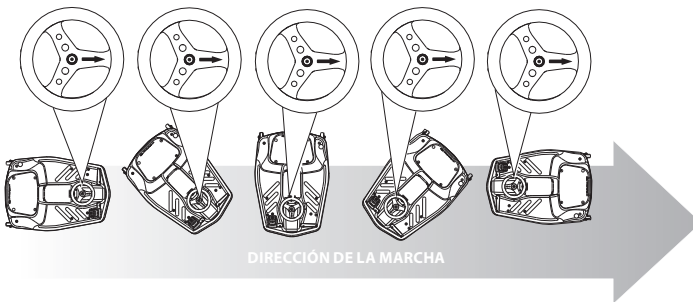
El Crazy Cart Shift permite hacer ingeniosos derrapes, giros y vueltas, que no pueden hacer los karts ordinarios. Si ha conducido un RipStik® o un RipRider® 360 de Razor, piense en las ruedecillas pivotantes y en cómo permiten cambiar de dirección rápidamente, o en cómo un kart Ground Force® Drifter™ de Razor permite derrapar a toda velocidad con la parte de atrás. El Crazy Cart Shift reúne estas emociones y añade aún más posibilidades de giro gracias a su motor central totalmente giratorio y a la capacidad de inclinación ajustable de sus ruedecillas pivotantes traseras. Practicar con el Crazy Cart Shift puede ser increíblemente divertido y es importante, igual que con todos los productos móviles, tener precaución al montar.

PEDAL DEL ACCELERADOR:

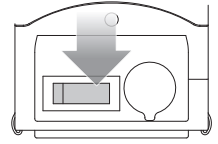
El Crazy Cart Shift incluye un pedal del acelerador que controla la velocidad del vehículo. Este acelerador de velocidad variable le permite conducir el kart a una velocidad de entre 0-13 KM/H en la configuración ALTA y de entre 0-4 KM/H en la configuración BAJA, según lo que se presione.

VOLANTE:

El volante del Crazy Cart Shift tiene algunos elementos diferentes de un coche o kart normal. Lo más importante que debe recordar del volante del Crazy Cart Shift es que la flecha que incorpora indica la dirección hacia la que irá el kart, independientemente de la orientación del resto del vehículo. Solo apunte con la flecha hacia la dirección a la que desea que vaya el kart (mediante la variación de presión en el pedal del acelerador puede cambiar la trayectoria de la parte trasera del Crazy Cart Shift, tal como se describe a continuación).



El volante del Crazy Cart Shift puede girar más de 170° en cada dirección. El volante tiene un tope cuando alcanza su límite de giro (no dará la vuelta entera, pero si gira totalmente el volante hacia una dirección puede hacer que el Crazy Cart Shift vaya marcha atrás) y al girarlo a 90° o casi 90° el Crazy Cart Shift puede trazar un círculo muy, muy cerrado (tenga cuidado de no perder el control girando demasiado, ya que podría marearse).



IMPORTANTE: Seleccione siempre una zona de conducción nivelada, llana, seca y totalmente libre de tráfico y obstáculos. ¡NO CONDUZCA POR DONDE CIRCULEN VEHÍCULOS!

CONSEJO DE CONDUCCIÓN:

Aprender a pisar y soltar el pedal del acelerador mejorará su capacidad para hacer giros, derrapes y piruetas con suavidad. La mejor manera de aprender las funciones del Crazy Cart Shift es probar a hacer cosas a baja velocidad.



ADVERTENCIA: Una velocidad o duración excesiva de los giros puede ocasionar la pérdida de equilibrio, la pérdida de control y el vuelco. Llevar los brazos, las piernas y la cabeza en una posición central en el Crazy Cart Shift contribuye a reducir los riesgos de vuelco, ya que se dan una serie de fuerzas ergonómicas que pueden aumentar el riesgo de vuelco si el cuerpo está inclinándose hacia afuera y/o la velocidad de giro se acelera demasiado. Retire el pie del pedal del acelerador si se está realizando el giro demasiado rápido y no puede controlarlo; no trate de acelerar al salir de un giro. El Crazy Cart Shift puede acelerar más rápido si el conductor pesa poco; este es el motivo por el que la edad mínima recomendada es 6 años. ¡No ponga en peligro la seguridad!

La configuración de la dirección del mecanismo de control y accionamiento integrado del Crazy Cart Shift es parecido a lo que algunos llamarían un diseño de "coches de choque". No incorpora características de autocorrección de inclinación y avance (lo que significa que el tubo de dirección sube y baja en línea recta, por lo que el volante no se "alinea" por sí solo). En algunas circunstancias, la dirección podría oscilar o vibrar ligeramente, pero es algo normal. Generalmente, esto se debe a una condición de control adversa o descoordinada. Si nota que la dirección oscila, un cambio de dirección y/o velocidad ayuda a restablecer un control perfecto.

GIRAR, DERRAPAR Y PARAR CON EL CRAZY CART SHIFT

Para un uso óptimo del Crazy Cart Shift se requiere una cuidadosa coordinación de la dirección y del acelerador. La mayoría de los giros y derrapes que se pueden realizar con el Crazy Cart Shift se logran mediante un cuidadoso control del acelerador y el prudente manejo del volante. Aprender a dónde dirigir la flecha del volante y cuándo aumentar o disminuir potencia son factores clave para controlar los trucos fácilmente. Una conducción suave también aumenta el tiempo de autonomía entre cada carga. En su primer contacto con el Crazy Cart Shift, es muy recomendable que los conductores aceleren con moderación y se tomen su tiempo para familiarizarse con los efectos de combinar el control del contravolante y del pedal del acelerador para realizar giros y derrapes con el Crazy Cart Shift.

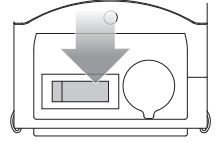
El Crazy Cart Shift no incluye un freno independiente, pero con un poco de práctica es fácil detener el producto. Obviamente, al levantar el pie del acelerador, el kart reducirá la velocidad como resultado de la fricción en la transmisión. Para detener el movimiento hacia delante del Crazy Cart Shift inmediatamente, levante el pie del acelerador y gire el volante 90° hacia cualquier lado. Al levantar el pie del acelerador y girar el volante, el Crazy Cart Shift girará o derrapará en círculo y reducirá la velocidad hasta detenerse. Al girar el volante 90° y levantar el pie del pedal, el conductor podrá frenar inmediatamente el movimiento de avance y dar la vuelta en su lugar. De esta forma, el Crazy Cart Shift puede evitar choques y sortear los obstáculos que haya en su camino.

Por su seguridad, dedique el tiempo necesario para familiarizarse y sentirse cómodo con las diferentes combinaciones para reducir la presión del pedal del acelerador y los giros del volante para aprender a reducir la velocidad y parar mientras mantiene el control del kart. Practique estas destrezas para garantizar la máxima seguridad del conductor.

Estos ejercicios de dirección básicos pueden ayudar a los conductores a familiarizarse con las capacidades del Crazy Cart Shift:

1. Primero circule en círculo.
2. Realice los mismos círculos, cambie la presión del pedal del acelerador y sienta cómo reacciona el Crazy Cart Shift cuando aumenta y reduce la velocidad mientras gira. Notará que al acelerar a fondo mientras gira, hace que el Crazy Cart Shift derrape.
3. Realizando aún los mismos círculos, experimente manteniendo el cuerpo del kart sin derrapar con el "contravolante". Para hacer contravolante de forma que no derrape el Crazy Cart Shift, sitúe la flecha del volante en la dirección opuesta a la del derrape del Crazy Cart Shift. Por ejemplo, si gira fuerte hacia la derecha, el kart podrá derrapar en el sentido del reloj. Este derrape se contrarresta al girar suavemente el volante hacia la izquierda o al reducir la presión sobre el pedal del acelerador. La práctica es la mejor manera de controlar esta habilidad.
4. Practique la parada del Crazy Cart Shift levantando el pie del pedal del acelerador y girando el volante 90° hacia la izquierda o hacia la derecha.
5. Practique el hecho de quedar "enclavado" en vueltas o giros cerrados.

⚠ ADVERTENCIA: Tenga en cuenta que estas características de conducción especializadas afectan al funcionamiento del Crazy Cart Shift y requieren mayor precaución y una atención adicional a las condiciones y prácticas de conducción segura. Lea y revise las Advertencias de seguridad y tenga especial cuidado para evitar los entornos con tráfico, obstáculos o pendientes siempre que utilice el Crazy Cart Shift. No es un "coche de choque" y no está diseñado para practicar colisiones o saltos o para ser utilizado en superficies que no estén duras, llanas, secas y libres de obstáculos.



WICHTIG: Wählen Sie zum Fahren immer eine ebene, glatte und trockene, hindernis- und verkehrsfreie Fläche aus. NICHT UM FAHRZEUGE HERUM FAHREN!

FAHRTIPP: Nach dem Lernen, wenn der das Gaspedal gedrückt oder losgelassen werden sollte, können sie schnittige Drehungen, Drifts und Kunststücke ausführen. Die beste Möglichkeit, das Crazy Cart Shift kennen zu lernen, ist es, die Tricks bei geringer Geschwindigkeit zu probieren.

⚠️ WARNUNG: Übermäßige lange oder schnelle Drehungen können zum Verlust des Gleichgewichts, der Herrschaft über das Fahrzeug oder zum Umkippen führen. Machen Sie sich im Crazy Cart Shift möglichst klein, um die Kippgefahr zu verringern, die sich erhöht, wenn man der Fliehkraft bei wachsender Drehgeschwindigkeit nachgibt. Nehmen Sie den Fuß vom Gaspedal, wenn sie nicht mehr zu beherrschen ist. Versuchen Sie nicht, aus einer Drehung heraus zu beschleunigen. Das Crazy Cart Shift kann mit leichten Fahrern schneller beschleunigen. Auch deshalb beträgt das empfohlene Mindestalter 6 Jahre. Seien Sie sicherheitsbewusst!

DE



DAS CRAZY CART SHIFT FAHREN

Nehmen Sie sich Zeit, das Fahrverhalten dieses aufregenden Produktes kennenzulernen, bevor Sie fahren. Beginnen Sie langsam. Machen Sie sich mit der Bedienung und Hinweisen sorgfältig vertraut, damit Sie Ihren Spass durch wachsende Erfahrung mit dem Crazy Cart Shift bei voller Fahrzeugbeherrschung genießen können.

Schalten Sie den Ein-/Aus-Schalter erst in die **ON(EIN)**-Stellung, wenn Sie auf dem Fahrersitz des Crazy Cart Shift sicher sitzen. Achten Sie auf Ihr Gleichgewicht beim Stehen, wenn Sie das Gaspedal, beim Einschalten des Motors treten und Ein- oder Aussteigen. Drehen Sie den **ON(EIN)**-Aus-Schalter **IMMER** in die **OFF(AUS)**-Stellung, bevor Sie das Crazy Cart Shift verlassen.

WICHTIGE STEUERUNGSELEMENTE:

GESCHWINDIGKEITSBEGRENZER HOCH/NIEDRIG FÜR ELTERN

Ihr Crazy Cart Shift verfügt über einen versteckten Geschwindigkeitsschalter, mit dem Eltern die Höchstgeschwindigkeit des Crazy Cart Shifts diskret reduzieren (oder anheben) können. Eltern können so die Geschwindigkeit für jüngere Kinder und diejenigen, die mehr Übung benötigen, um sich mit den Bewegungen des Crazy Cart Shifts vertraut zu machen, verringern.

Der Schalter wurde im Batteriefach des Crazy Cart Shift versteckt angebracht, so dass der Fahrer nicht ohne Inbusschlüssel darauf zugreifen kann. Es gibt zwei Einstellungen:

- Wenn sich der Schalter in der Stellung HIGH befindet, erreicht der Crazy Cart Shift eine Höchstgeschwindigkeit von 13 km/h. Dies ist die Standardeinstellung und wird ab 8 Jahren empfohlen.
- Wenn sich der Schalter in der Stellung LOW befindet, wird die Geschwindigkeit des Crazy Cart Shift auf 4 km/h begrenzt. Dies wird für Fahrer empfohlen, die mindesten 6 Jahre sind.

GASPEDAL UND LENKRAD

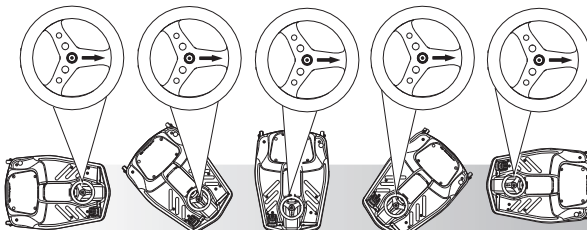
Das Crazy Cart Shift ermöglicht sehr kreatives Driften, Drehen und Wenden. Das ist mit einem klassischen Go-Kart nicht möglich. Sollten Sie bereits mit einem Razor RipStik® oder einem Razor RipRider® 360 gefahren sein, erinnern Sie sich, wie die Lenkrollen plötzlichen Richtungsänderungen ermöglichen. Beim Ground Force® Drifter™ war auch ein Driften mit voller Geschwindigkeit rückwärts möglich. Das Crazy Cart Shift baut auf diesen Bewegungen auf und ermöglicht mit dem vollständig lenkbaren Vorderantrieb und den hinteren Lenkrollen noch engere Drehungen. Der Crazy Cart Shift macht erstaunlich viel Spaß. Dabei sollte man, wie bei anderen Fahrzeugen, immer vorsichtig fahren.

GASPEDAL:

Das Crazy Cart Shift ist mit einem Gaspedal für die Kart-Geschwindigkeit ausgestattet. Mit diesem Geschwindigkeitsbegrenzer können Sie den Kart je nach Druck mit einer Geschwindigkeit von 0 - 13 km/h in der Einstellung HIGH und 0 - 4 km/h in der Einstellung LOW fahren.

LENKRAD:

Das Lenkrad des Crazy Cart Shift unterscheidet sich in vielen Punkten vom Lenkrad eines normalen Autos. Der wichtigste Unterschied ist, dass der Lenkradpfeil des Crazy Cart Shift in die Fahrtrichtung zeigt, unabhängig davon, wie der Kart ausgerichtet ist. Richten Sie den Pfeil einfach in die gewünschte Fahrtrichtung (das Betätigen des Gaspedals beeinflusst den Nachlauf des Hecks des Crazy Cart Shifts – siehe unten).



FAHRRICHTUNG

Das Lenkrad des Crazy Cart Shift kann in jede Richtung über 170° gedreht werden. Das Lenkrad hat einen „harten“ Anschlag – und lässt sich nicht weiter drehen. Mit einer vollständigen Gegendrehung fährt das Crazy Cart Shift jetzt rückwärts. Wird das Lenkrad um 90° gedreht, kann das Crazy Cart Shift einen sehr engen Kreis fahren (dabei vorsichtig sein, um durch übermäßige Drehungen, die zu Schwindel führen können, nicht die Herrschaft zu verlieren).

Die Lenkeranordnung des Crazy Cart Shifts und der in die Lenkung integrierte Antrieb ähneln denen eines „Autoscooters“. Es ist nicht selbstnachstellend oder frei drehbar (weil die Lenksäule senkrecht

angeordnet ist und das Lenkrad sich dadurch nicht von selbst in Fahrtrichtung stellt). Eine solche Lenkung kann unter bestimmten Umständen flattern oder vibrieren – das ist normal. Normalerweise ist dies das Ergebnis eines unkoordinierten oder ungünstigen Fahrzustands. Falls ein Flattern in der Lenkung zu spüren ist, reicht es, die Geschwindigkeit und/oder die Richtung zu ändern (Gegensteuern), um die Herrschaft zurück zu gewinnen.

DREHEN, DRIFTEN UND ANHALTEN DES CRAZY CART SHIFT

Am besten lässt sich der Crazy Cart Shift benutzen, wenn Lenkung und Gaspedal umsichtig bedient werden. Die meisten Drehungen und Drifts sind mit dem Crazy Cart Shift durch angepasstes Steuern und Beschleunigen zu erreichen. Lernen, wie das Lenkrad richtig einzuschlagen ist, und der behutsame Einsatz des Gaspedals sind die Voraussetzungen für beherrschbare Fahrkunststücke. Gleichmäßiges Fahren verlängert auch die Laufzeit bis zum Nachladen. Wenn man sich mit dem Crazy Cart Shift vertraut macht, ist es sehr empfehlenswert, sich Zeit zu nehmen, um die Reaktionen auf das Gegensteuern und Betätigen des Gaspedals beim Rotieren und Driften kennen zu lernen.

Es gibt am Crazy Cart Shift keine eigene Bremse, aber nach kurzer Übung ist es leicht, anzuhalten. Wird das Gaspedal losgelassen, verlangsamt sich das Kart durch die Reibung im Getriebe. Um das Crazy Cart Shift bei Geradeausfahrt anzuhalten, nehmen Sie den Fuß vom Gaspedal und lenken Sie um 90° nach rechts oder links. Das Loslassen des Gaspedals und das Drehen des Lenkrads bewirkt ein Drehen oder kreisförmiges Driften des Crazy Cart Shifts, wodurch es verlangsamt und schließlich anhält. Wird das Lenkrad um 90° gedreht und der Fuß gleichzeitig vom Gaspedal genommen, kann der Fahrer die Geradeausfahrt sofort stoppen und abdrehen. Dadurch kann das Crazy Cart Shift Kollisionen vermeiden und Hindernisse auf seinem Weg umfahren.

Nehmen Sie sich zur eigenen Sicherheit die Zeit, sich mit den verschiedenen Reaktionen auf Gasgeben und Lenken vertraut zu machen, um zu lernen, wie man bremst und die Herrschaft über das Fahrzeug behält. Üben Sie diese Fähigkeiten, um die maximale Sicherheit für den Fahrer zu gewährleisten.

Mit diesen einfachen Lenkübungen können sich Fahrer mit den Möglichkeiten des Crazy Cart Shift vertraut machen:

1. Zuerst im Kreis fahren.
2. Wieder im Kreis fahren, den Druck auf das Gaspedal ändern und registrieren, wie das Crazy Cart Shift auf das Beschleunigen und Abbremsen reagiert. Sie sollten registrieren, dass schnelles Beschleunigen beim Drehen zum Ausbrechen des Crazy Cart Shifts führt.
3. Fahren Sie wieder im Kreis und versuchen Sie, das Ausbrechen durch Gegenlenken zu verhindern. Das Gegenlenken zum Beenden des Ausbrechens des Crazy Cart Shifts erfolgt durch Drehen des Lenkradpfeils gegen Schleuderrichtung. Wenn Sie zum Beispiel stark rechts einschlagen, bricht der Kart im Uhrzeigersinn aus. Dieses Ausbrechen kann durch sanftes Drehen des Lenkrades nach links und/oder Verringern des Drucks auf das Gaspedal beendet werden. Praxis macht den Meister.
4. Versuchen Sie, das Crazy Cart Shift anzuhalten, indem Sie den Fuß vom Gaspedal nehmen und das Lenkrad um 90° nach links oder rechts einschlagen.
5. Versuchen Sie, sich bei engen Drehungen oder beim Rotieren sich möglichst klein zu machen.

⚠️ WARNUNG: Beachten Sie, dass diese Besonderheiten das Fahrverhalten des Crazy Cart Shift beeinflusst. Deshalb sind diese nur vorsichtig zu benutzen, wenn dadurch niemand gefährdet wird. Machen Sie sich mit den Sicherheitshinweisen vertraut und steuern Sie das Crazy Cart Shift besonders vorsichtig. Meiden Sie andere Verkehrsteilnehmer, Hindernisse und abschüssige Strecken. Das Fahrzeug ist kein Autoscooter, ist nicht zum Anrennen oder Springen, sondern zum Fahren auf festen, ebenen, glatten und trockenen Flächen bestimmt.

IT

i

FUNZIONAMENTO DEL CRAZY CART SHIFT

Prima di guidare questo fantastico prodotto dedicare del tempo a imparare in che modo si muove. Iniziare a poco a poco. Pratica e attenzione consentiranno di acquisire dimestichezza con questi consigli e trucchi della guida così da provare il Crazy Cart Shift e aumentare al massimo il divertimento mantenendo il controllo.

Non posizionare mai il pulsante dell'accensione su **ON** finché il conducente non è seduto sul sedile del Crazy Cart Shift. Sedersi comodamente prima di posizionare il pulsante su **ON**, consentirà al conducente di evitare di perdere l'equilibrio premendo inavvertitamente il pedale dell'acceleratore mentre sale (o scende) dal Crazy Cart Shift. Posizionare **SEMPRE** il pulsante dell'accensione su **OFF** prima di uscire dal Crazy Cart Shift.

FUNZIONI DI CONTROLLO IMPORTANTI:

INTERRUTTORE DI VELOCITÀ ALTA-BASSA CONTROLLATA DAI GENITORI

Il Crazy Cart Shift è dotato di un interruttore di controllo della velocità nascosto che permette ai genitori di ridurre (o aumentare) discretamente la velocità massima del Crazy Cart Shift. L'uso di questo limitatore è destinato ai genitori dei bambini più piccoli e a coloro che hanno bisogno di più pratica per imparare il movimento del Crazy Cart Shift.

L'interruttore è stato nascosto all'interno del vano batteria del Crazy Cart Shift, in modo tale che i conducenti non possano accedervi senza usare una chiave a brugola. Ci sono due impostazioni:

- Quando l'interruttore è in posizione ALTA, il Crazy Cart Shift ha una velocità massima di 13 km/h. Questa è l'impostazione predefinita e consigliata per i conducenti dagli 8 anni in su.
- Quando l'interruttore è in posizione BASSA, la velocità massima del Crazy Cart Shift è limitata a 4 km/h e l'età minima consigliata per il conducente è di 6 anni.

PEDALE DELL'ACCELERATORE E VOLANTE

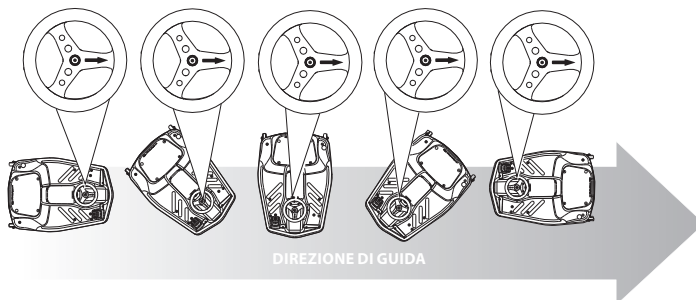
Il Crazy Cart Shift consente di sovrasterzare ed eseguire rotazioni e curve che un normale go-kart non potrebbe fare. Se si è guidato un Razor RipStik® o un Razor RipRider® 360, bisogna pensare a queste ruote orientabili e al modo in cui consentono rapidi cambi di direzione o al modo in cui un go-kart Razor Ground Force® Drifter™ consente il drifting della parte posteriore a piena velocità. Il Crazy Cart Shift si basa su questo movimento e aggiunge perfino possibilità di sterzate più strette tramite la ruota motrice anteriore e le ruote orientabili posteriori. Esercitarsi con il Crazy Cart Shift può essere estremamente divertente ed è importante, come per tutti i prodotti in movimento, guidare con prudenza.

PEDALE DELL'ACCELERATORE:

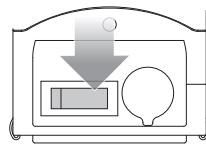
Il Crazy Cart Shift ha un pedale dell'acceleratore che controlla la velocità del kart. Questo acceleratore di velocità variabile consente di guidare il kart a velocità comprese tra 0 e 13 km/h nell'impostazione ALTA e 0-4 km/h nell'impostazione BASSA, in base alla pressione.

VOLANTE:

Il volante del Crazy Cart Shift è diverso da quello di un'auto normale o da quello di un kart sotto molti aspetti. La cosa più importante da ricordare sul volante del Crazy Cart Shift è che la freccia collocata sopra di esso indica la direzione in cui si muoverà il kart, indipendentemente dalla direzione in cui è rivolto il resto del kart. Puntare semplicemente la freccia dove si desidera che il kart si sposti (variare la pressione sul pedale dell'acceleratore può cambiare il modo in cui la parte posteriore del Crazy Cart Shift si muove, come descritto in basso).



Il volante del Crazy Cart Shift può ruotare oltre i 170° in ogni direzione. Il volante ha un dispositivo di "arresto immediato" quando ha raggiunto il limite di sterzata, non continuerà a girare fino in fondo ma sterzando completamente in una direzione o nell'altra è possibile guidare il Crazy Cart Shift in retromarcia e sterzando a 90°, o a un'angolazione simile, il Crazy Cart Shift potrà girare in cerchio molto stretto (fare attenzione a non perdere il controllo sterzando tanto da avere le vertigini).



IMPORTANTE: Guidare sempre su una superficie piana, liscia, asciutta e lontana da traffico o altri ostacoli. **NON GUIDARE IN PRESENZA DI AUTO!**

CONSIGLI DI GUIDA:

Imparare quando premere e quando lasciare il pedale dell'acceleratore migliorerà le capacità di sovrasterzare ed eseguire rotazioni e curve dolci. Il modo migliore per apprendere le possibilità offerte dal Crazy Cart Shift è guidarlo a basse velocità.



AVVERTENZE:

Un'eccessiva durata o velocità nei giri può causare perdita di equilibrio, di controllo e ribaltamento. Tenere gambe, braccia e testa al centro del Crazy Cart Shift può ridurre i rischi legati al ribaltamento poiché le forze ergonomiche possono aumentare il rischio di ribaltamento se il corpo si sporge dal veicolo e/o se la velocità delle rotazioni aumenta troppo. Togliere il piede dal pedale dell'acceleratore se le rotazioni diventano troppo veloci da controllare e non cercare di accelerare in uscita da un giro. Il Crazy Cart Shift può accelerare più velocemente con i conducenti più leggeri e questo è uno dei motivi per cui l'età minima consigliata per la guida di questo prodotto è 6 anni. Fare attenzione!

La configurazione sterzante del meccanismo sterzante e di trasmissione del Crazy Cart Shift è simile a quella che alcuni chiamano il modello "autoscontro". Non prevede l'inclinazione autocorrettiva delle ruote anteriori né funzioni di orientabilità (significa che il tubo di sterzo non va in alto o in basso pertanto la ruota non si "allinea" da sola). Questo volante potrebbe, in alcune circostanze, sfarfallare o vibrare un po', ma è normale. Di solito è il risultato di una condizione di controllo scoordinata o sfavorevole. Se si avverte uno sfarfallamento nello sterzo, un cambio di direzione ("controsterzo") e/o un cambio di velocità aiutano a ristabilire un controllo dolce.

L'utilizzo migliore del Crazy Cart Shift prevede coordinazione accurata del volante e dell'acceleratore. La maggior parte delle rotazioni e delle sovrasterzate che si possono realizzare con il Crazy Cart Shift dipendono da un accurato controllo dell'acceleratore e dalle manovre eseguite dal volante. Imparare dove puntare la freccia sul volante e quando aggiungere o ridurre la potenza è la chiave per avere un controllo dolce delle acrobazie. La guida dolce allunga anche il tempo tra le cariche. Quando si comincia a usare il Crazy Cart Shift, si consiglia vivamente ai conducenti di usare con attenzione l'acceleratore e di dedicare del tempo ad abituarsi ai risultati derivanti dalla combinazione del controllo tra controsterzo e pedale dell'acceleratore per gestire le rotazioni e le sovrasterzate che si possono effettuare con il Crazy Cart Shift.

Sul Crazy Cart Shift non esiste un freno separato, ma con la pratica è facile da arrestare. Ovviamente, sollevare il piede dall'acceleratore sarà sufficiente a rallentare la corsa del kart come risultato dell'attrito nella trasmissione. Per arrestare immediatamente il movimento in avanti del Crazy Cart Shift, sollevare il piede dal pedale dell'acceleratore e sterzare il volante di 90° verso entrambi i lati. Sollevare il piede dal pedale dell'acceleratore e sterzare il volante sarà sufficiente a ruotare o girare in cerchio il Crazy Cart Shift rallentandolo fino a farlo arrestare. Sterzando il volante di 90° e sollevando il piede dal pedale dell'acceleratore, il conducente può arrestare immediatamente il movimento in avanti e sganciarsi. In questo modo il Crazy Cart Shift potrà evitare collisioni e schivare oggetti che si trovano sulla sua traiettoria.

Per garantire la sicurezza personale, dedicare del tempo a familiarizzare e ad abituarsi alle varie combinazioni di pressione sul pedale dell'acceleratore e di utilizzo del volante per imparare a rallentare e ad arrestare il kart mantenendone, al contempo, il controllo. Esercitarsi per raggiungere la massima sicurezza.

Questi esercizi di guida base possono aiutare i conducenti a familiarizzare con le capacità del proprio Crazy Cart Shift:

1. Per prima cosa, guidare in cerchio.
2. Guidare sempre negli stessi cerchi, variare la pressione esercitata sul pedale dell'acceleratore e osservare in che modo reagisce il Crazy Cart Shift quando si accelera o si decelera durante una sterzata. Si dovrebbe osservare che una forte accelerazione durante la sterzata comporta l'uscita di strada del Crazy Cart Shift in un testa-coda.
3. Continuando a guidare negli stessi cerchi, provare a evitare che il corpo del kart esca di strada in un testa-coda utilizzando il "controsterzo". È possibile utilizzare il controsterzo, per evitare che il Crazy Cart Shift esca di strada in un testa-coda, puntando la freccia sul volante verso la parte opposta della direzione in cui il Crazy Cart Shift sta uscendo di strada in un testa-coda. Pertanto, ad esempio, se si esegue una sterzata stretta verso destra, il kart potrebbe uscire di strada in una direzione che segue il senso orario. Questa uscita di strada in un testa-coda può essere controbilanciata sterzando leggermente il volante verso sinistra e/o riducendo la pressione sul pedale dell'acceleratore. La pratica è il mezzo migliore per acquisire padronanza.
4. Esercitarsi ad arrestare il Crazy Cart Shift sollevando il piede dal pedale dell'acceleratore e sterzando il volante di 90° verso sinistra o verso destra.
5. Esercitarsi a mantenere una "posizione centrale" sul veicolo quando si eseguono sterzate o giri stretti.

AVVERTENZE: Comprendere che queste particolari caratteristiche di guida influiscono sul funzionamento del Crazy Cart Shift e che è necessaria un'attenzione e una prudenza maggiori per guidare in sicurezza. Leggere e rivedere le Avvertenze di sicurezza e prestare particolare attenzione a evitare traffico, ostacoli e discese alla guida del Crazy Cart Shift. Questo kart non è un "autoscontro" e non è progettato per sopportare scontri, attività che prevedono salti o per essere usato su superfici diverse da aree solide, in piano, lisce e asciutte.

**GEBRUIKSAANWIJZING VOOR DE CRAZY CART SHIFT**

Neem vóór u dit geweldige product bestuurt genoeg tijd om te leren hoe het werkt. Begin langzaam. Door veel en voorzichtig te oefenen, leert u de tips in deze handleiding toe passen, zodat u in een later stadium volop van de Crazy Cart Shift kunt genieten zonder de controle te verliezen.

Zet de ON / OFF schakelaar nooit op **ON(AAN)** voordat u op het stoeltje van de Crazy Cart Shift zit. Door eerst te gaan zitten voor u **ON(AAN)** kiest, voorkomt u dat u uw evenwicht verliest wanneer u het pedaal intrapt terwijl u nog overeind staat om in de Crazy Cart Shift te stappen. Zet de schakelaar **ALTIJD** op **OFF(UIT)** voordat u uit de Crazy Cart Shift stapt.

BELANGRIJKE BEDIENINGSFUNCTIES:**SCHAKELAAR VOOR HOGE / LAGE SNELHEID ONDER OUDERLIJK TOEZICHT**

Uw Crazy Cart Shift heeft een verborgen schakelaar voor snelheidsregeling, waarmee ouders onopvallend de maximumsnelheid van de Crazy Cart Shift kunnen verlagen (of verhogen). Met behulp van deze snelheidsbegrenzing kunnen ouders van jongere kinderen, en kinderen die extra oefentijd nodig hebben om te leren hoe de Crazy Cart Shift beweegt, onopvallend veiligheidsmaatregelen nemen.

De schakelaar is verborgen in het batterijvak van de Crazy Cart Shift, zodat bestuurders er niet bij kunnen zonder inbussleutel. Er zijn twee standen:

- In de stand HIGH heeft de Crazy Cart Shift een maximumsnelheid van 13 km/h. Dit is de standaard instelling, aanbevolen voor bestuurders van 8 jaar en ouder.
- In de stand LOW heeft de Crazy Cart Shift een maximumsnelheid van 4 km/h, en de aanbevolen minimumleeftijd voor bestuurders is 6 jaar.

PEDAAL EN STUURWIEL

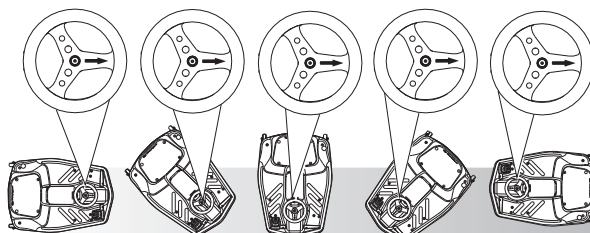
Met de Crazy Cart Shift kunt u veel beter driften, spinnen en draaien dan met een gewone kart. Hebt u wel eens op een Razor RipStik® of Razor RipRider® 360 gereden? Denk dan aan de zwenkwielletjes waarmee u razendsnel van richting kunt veranderen. Of denk aan de Razor Ground Force® Drifter™-kart waarmee u op volle snelheid achterwaarts kunt driften. De Crazy Cart Shift is gebaseerd op deze bewegingen en biedt nog scherpere stuurmogelijkheden dankzij het volledig draaibare aandrijfwiel vooraan en de zwenkwielletjes aan de achterkant. Met de Crazy Cart Shift rijden kan fantastisch leuk zijn, en het is belangrijk om altijd behoedzaam te werk te gaan tijdens het rijden, net als bij alle andere rijdende producten.

PEDAAL:

De Crazy Cart Shift heeft een pedaal waarmee u de snelheid van de kart kunt regelen. Met dit pedaal voor variabele snelheid kunt u de kart besturen op een snelheid van 0-13 km/h in de stand HIGH, en 0-4 km/h in de stand LOW. De snelheid is afhankelijk van hoe diep u het pedaal indrukt.

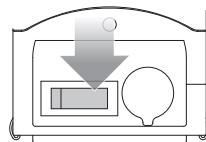
STUUR:

Het stuur van de Crazy Cart Shift is in diverse opzichten anders dan het stuur van een normale kart. Het belangrijkste aspect van het stuur van de Crazy Cart Shift is echter dat de pijl op het stuur aangeeft in welke richting de kart rijdt, ongeacht in welke richting de rest van de kart wijst. Draai de pijl gewoon in de richting waarheen u wilt rijden. Met de druk op het pedaal kunt u bepalen in welke richting de rest van de kart is georiënteerd (zie de beschrijving hieronder).



RIJRICHTING

Het stuurwiel van de Crazy Cart Shift kan meer dan 170° in elke richting draaien. Het stuur heeft een 'harde stop' die aangeeft dat het stuur echt niet verder kan draaien. U kunt de Crazy Cart Shift echter achteruit laten rijden door het stuur eerst helemaal naar links en vervolgens helemaal naar rechts (of andersom) te draaien. Bovendien kunt u erg scherpe bochten maken door het stuur van de Crazy Cart Shift 90° te draaien. Let op: als u teveel stuurt, kunt u duizelig worden en daardoor de macht over het stuur verliezen.



BELANGRIJK: Bestuur dit product altijd op een vlak, gelijkmatig en droog oppervlak zonder verkeer of obstakels. **BESTUUR DIT PRODUCT NIET IN DE BUURT VAN AUTO'S!**

RIJTIP: Door te leren wanneer u het pedaal moet indrukken en loslaten, kunt u nog beter spinnen, driften en trucs uitvoeren. U leert alle ins en outs van de Crazy Cart Shift het best op lage snelheid.

⚠ WAARSCHUWING: Door overmatig lange of snelle spins kunt u uw evenwicht of de macht over het stuur verliezen, of kantelen. Door uw lendenen en hoofd te kantelen naar het midden van de Crazy Cart Shift, kunt u vermijden dat u kantelt. Wanneer u naar buiten hangt en/of wanneer de spinsnelheid te snel toeneemt, kunt u door de ergonomische krachten kantelen. Haal uw voet van het pedaal wanneer u zo snel spint dat u de macht over het stuur dreigt te verliezen. Probeer geen gas te geven om uit de spin te komen. De Crazy Cart Shift kan sneller rijden wanneer hij wordt bestuurd door lichtere personen. Daarom is de minimaal aanbevolen leeftijd voor bestuurders 6 jaar. Let goed op uw veiligheid!



De stuurinrichting van het integrale aandrijvings- en besturingsmechanisme van de Crazy Cart Shift komt overeen met die van een zogenaamde 'botsauto' of 'kermisauto'. De zwenkwieljes keren niet automatisch terug in de juiste positie. De stuurkolom gaat dus recht omhoog en omlaag, zodat de wielen zichzelf niet meer uitlijnen. Daardoor kan het sturen in bepaalde omstandigheden slingerend en trillend verlopen. Dat is gewoon. Vaak zijn slingeringen en trillingen het gevolg van ongecoördineerde bewegingen of van het niet goed onder controle hebben van het product. Slingert de Crazy Cart Shift? U krijgt 'm weer onder controle door tegen te sturen of door uw snelheid aan te passen.

SPINNEN, DRIFTEN EN REMMEN MET DE CRAZY CART SHIFT

Om de Crazy Cart Shift optimaal te gebruiken, dient u het stuur en het pedaal zorgvuldig te gebruiken. Spinnen en driften in de Crazy Cart Shift kan vaak heel eenvoudig door goed met het pedaal en het stuurwiel te spelen. Leren welke kant de pijl op het stuurwiel op moet wijzen en op welk moment u meer of minder gas moet geven, zijn de kernvaardigheden voor het soepel beheersen van de kart. Met soepel rijden kunt u de Crazy Cart Shift bovendien langer gebruiken zonder de accu te hoeven opladen. Als rijders zich voor de eerste keer oriënteren op de Crazy Cart Shift, moeten ze voorzichtig met het pedaal omgaan en de tijd nemen om vertrouwd te raken met de resultaten met de combinatie van tegensturing en indrukken van het pedaal, om het spinnen en driften met de Crazy Cart Shift te beheersen.

De Crazy Cart Shift kent geen aparte rem, maar met een beetje oefenen kunt u probleemloos stoppen. Natuurlijk zal de kart als gevolg van wrijving in de aandrijflijn ook stoppen wanneer u het pedaal gewoon loslaat. Om de voorwaartse beweging van de Crazy Cart Shift direct te stoppen, dient u uw voet van het pedaal te halen en het stuur 90° opzij te draaien. Als u uw voet van het pedaal haalt en het stuur omdraait, zal de Crazy Cart Shift in een cirkel spinnen of driften en afremmen. U kunt de voorwaartse beweging direct stoppen, en wegdraaien, door het stuur 90° te draaien en uw voet van het pedaal te halen. Zo voorkomt u met de Crazy Cart Shift botsingen en vermindert u obstakels.

We raden u aan om voor uw eigen veiligheid alle verschillende combinaties van het pedaal, het stuur te leren kennen. Zo leert u hoe u kunt afremmen en toch de controle over de kart houdt. Oefen deze vaardigheden om een optimale veiligheid te garanderen.

Bestuurders kunnen aan de hand van de volgende basale stuurervaringen de mogelijkheden van de Crazy Cart Shift ontdekken:

1. Stuur eerst in een cirkel.
2. Maak dezelfde cirkels, varieer de pedaalstand en bekijk hoe de Crazy Cart Shift reageert als u bij het draaien de snelheid laat af- of toenemen. U zult merken dat snel optrekken onder het draaien de Crazy Cart Shift uit de bocht laat vliegen.
3. Blijf cirkels draaien en probeer daarbij door 'tegensturen' de kart niet uit de bocht te laten vliegen. Als u de Crazy Cart Shift tegenstuur wilt geven als u uit de bocht vliegt, laat u de pijl op het stuurwiel de andere kant op wijzen van de richting waarin de Crazy Cart Shift de bocht uit vliegt. Als u bijvoorbeeld hard naar rechts draait, kan de kart met de klok mee uit de bocht vliegen. U kunt dit uit de bocht vliegen tegengaan door het stuurwiel licht naar links te draaien en / of het pedaal minder in te trappen. Oefenen is de beste manier om deze vaardigheid te leren.
4. Leer hoe u de Crazy Cart Shift laat stoppen door de voet van het pedaal te nemen en het stuur 90° naar links of rechts te draaien.
5. Oefen hoe u 'ingestopt' in de stoel kunt blijven zitten in scherpe bochten en spins.

WAARSCHUWING: Deze specialistische rijkensmerken zijn van invloed op het functioneren van de Crazy Cart Shift en vereisen extra aandacht voor veilig rijgedrag. Lees de veiligheids waarschuwingen en vermijd met de Crazy Cart Shift verkeer, obstakels en afdalingen. Dit product is geen 'botsauto'. Het product is niet ontworpen voor botsingen en sprongen of voor gebruik op oppervlakken die niet hard, vlak en droog zijn.

PT

**COMO FUNCIONA O CRAZY CART SHIFT**

Antes de andar neste produto emocionante, passe algum tempo a aprender como se move da maneira que se move. Comece devagar. Com prática e cuidado, deve familiarizar-se com estas dicas e sugestões para que as suas experiências com o Crazy Cart Shift lhe permitam maximizar o divertimento mantendo ao mesmo tempo o controlo.

Nunca rode o interruptor LIGAR/DESLIGAR para **ON(LIGADO)** antes de se sentar no lugar de condução do Crazy Cart Shift. Ao sentar-se antes de ligar a energia **ON(LIGADO)**, não corre o risco de perder o equilíbrio ao pressionar o pedal do acelerador enquanto se encontra ainda de pé para entrar (ou a sair) do Crazy Cart Shift. Rode **SEMPRE** o interruptor LIGAR/DESLIGAR para **OFF(DESLIGADO)** antes de sair do Crazy Cart Shift.

CARACTERÍSTICAS DE CONTROLO IMPORTANTES:**BOTÃO DE ALTA/BAIXA VELOCIDADE CONTROLADA PELOS PAISH**

O Crazy Cart Shift tem um botão de controlo de velocidade oculto que permite que os pais reduzam (ou aumentem) discretamente a velocidade máxima do Crazy Cart Shift. O limitador destina-se aos pais de crianças mais novas e de quem precisa de um tempo de treino adicional para aprender como o Crazy Cart Shift se move.

O botão está oculto com compartimento das pilhas do Crazy Cart Shift, de modo que os utilizadores não possam aceder a este sem uma chave Allen. Há dois ajustes:

- Quando o botão está na posição ALTA, o Crazy Cart Shift tem uma velocidade máxima de 13 km/h. Esta é a predefinição e recomendada para utilizadores com mais de 8 anos.
- Quando o botão está na posição BAIXA, a velocidade máxima do Crazy Cart Shift está limitada aos 4 km/h e a idade mínima recomendada do utilizador é 6 anos.

PEDAL DO ACCELERADOR E VOLANTE

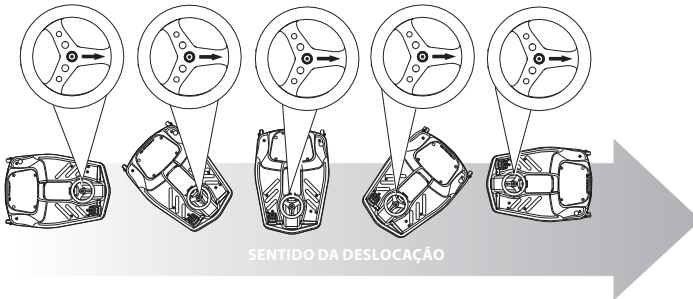
Crazy Cart Shift permite derrapagens, rodar e virar de maneira verdadeiramente criativa que nenhum kart normal consegue fazer. Se já andou num Razor RipStik® ou num Razor RipRider® 360, pense naqueles rodízios e como permitem rápidas mudanças de direcção; ou como um kart Razor Ground Force® Drifter™ permite derrapagens com a traseira a toda a velocidade. O Crazy Cart Shift foi inspirado nestes movimentos e adiciona ainda mais possibilidades de efectuar curvas ainda mais apertadas através do motor central totalmente rotativo e uma capacidade de ângulo ajustável para os rodízios traseiros. Praticar com o Crazy Cart Shift pode levar a uma diversão incrível sendo importante, como em todos os produtos móveis, aplicar precaução enquanto anda.

PEDAL DO ACCELERADOR:

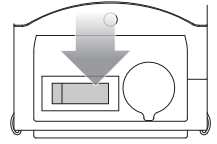
o volante do Crazy Cart Shift é diferente de um automóvel ou kart normal de diversas formas. Este acelerador de velocidade variável permite conduzir o carrinho a velocidades entre 0 e 13 KM/H na ALTA velocidade e 0 e 4 KM/H na BAIXA velocidade, dependendo do quanto for premido.

VOLANTE:

o volante do Crazy Cart Shift é diferente de um automóvel ou kart normal de diversas formas. O que é mais importante lembrar sobre o volante do Crazy Cart Shift é que a seta aponta para a direcção para onde o kart está a ir, independentemente de como o resto do kart está orientado. Basta apontar a seta para onde quer que o kart vá (pressão variada no pedal do acelerador pode alterar como a traseira do Crazy Cart Shift segue, conforme descrito em baixo).



O volante do Crazy Cart Shift é capaz de rodar mais do que 170° em cada direcção. O volante tem um “batente” quando atinge o seu limite de rotação – não continua a rodar, mas ao rodar completamente numa direcção ou na outra, pode andar no Crazy Cart Shift de marcha atrás – e ao rodar para ou perto de 90°, o Crazy Cart Shift pode andar num círculo mesmo apertado (tenha cuidado para evitar a perda de controlo, pois ao virar demasiado pode correr o risco de ficar tonto).



IMPORTANTE: Selecciona sempre uma área para andar que seja nivelada, suave, seca e completamente livre de trânsito ou obstáculos. **NÃO ANDE AO PÉ DE AUTOMÓVEIS!**

DICA DE CONDUÇÃO: saber quando pressionar e largar o pedal do acelerador irá melhorar a sua capacidade para fazer peões, derrapagens e truques suavemente. A melhor maneira de aprender as habilidades do Crazy Cart Shift é tentar manobras a baixa velocidade.

⚠️ AVISO: a duração ou velocidade excessiva nos peões pode levar a uma perda de equilíbrio, do controlo e capotamento. Manter os membros e a cabeça bem no centro do Crazy Cart Shift pode reduzir os riscos de capotamento porque as forças ergonómicas podem aumentar o risco de capotamento se o corpo estiver inclinado para fora e/ou a velocidade da rotação aumentar em excesso. Tire o pé do pedal do acelerador se os peões se tornarem demasiado rápidos para os controlar, não tente interromper um peão acelerando. O Crazy Cart Shift poderá acelerar mais depressa com utilizadores mais leves, o que é uma das razões pelas quais a idade mínima recomendada é de 6 anos. Preocupe-se com a segurança!



A configuração da direcção da condução integrada do Crazy Cart Shift e do mecanismo de direcção são semelhantes ao que alguns podem chamar design “carrinho de choque”. Não possui uma curvatura de autocorreção ou características de alinhamento (o que significa que o tubo da direcção vai directamente para cima e para baixo para que a roda não “alinhe” sozinha). Tal direcção poderá, em certas circunstâncias, oscilar ou vibrar um pouco - isto é normal. Normalmente é o resultado do controlo descoordenado ou inadequado. Se sentir uma oscilação na direcção, uma mudança de direcção (“contrabrecar”) e/ou a mudança de velocidade ajuda a restabelecer um controlo suave.

RODAR, DERRAPAR E PARAR O CRAZY CART SHIFT

A melhor utilização do Crazy Cart Shift envolve a coordenação cuidadosa da direcção, da barra de derrapagem e do acelerador. A maioria dos peões e das derrapagens que podem ser feitos com o Crazy Cart Shift são conseguidos através do controlo cuidado do acelerador e controlo deliberado do volante. Aprender onde apontar a seta no volante e quando adicionar ou reduzir a potência são os pontos-chave para controlar suavemente os truques. Uma condução suave também aumenta o tempo de execução entre cargas. Ao orientar-se pela primeira vez com o Crazy Cart Shift, é altamente recomendado que os utilizadores apliquem cuidadosamente o acelerador e passem tempo a familiarizarem-se com os resultados de combinar a contra brecagem e o pedal do acelerador para controlar os peões e as derrapagens do Crazy Cart Shift.

Não existe um travão separado no Crazy Cart Shift, mas com a prática é fácil parar. Naturalmente, retirar o pé do pedal do acelerador irá abrandar o kart como resultado da fricção na unidade de tracção. Para parar imediatamente a deslocação para a frente do Crazy Cart Shift, tire o pé do pedal do acelerador e rode o volante 90° para qualquer um dos lados. Retirar o pé do pedal do acelerador e rodar o volante faz com que o Crazy Cart Shift rode ou derrape em círculo e reduza a velocidade até à sua paragem. Ao virar o volante 90° e tirar o pé do pedal do acelerador, o utilizador pode parar imediatamente o movimento para a frente e em vez disso, virar. Desta forma, o Crazy Cart Shift pode evitar colisões e objectos que, caso contrário, estariam no seu caminho.

Para sua segurança, passe algum tempo para se familiarizar e sentir confortável com as várias combinações do pedal do acelerador e volante para aprender a abrandar e a parar mantendo o controlo do kart. Pratique estas habilidades para segurança máxima do utilizador.

Estes exercícios básicos com a direcção podem ajudar os utilizadores a familiarizarem-se com as capacidades do Crazy Cart Shift:

1. Primeiro, ande num círculo.
2. Efectue os mesmos círculos, varie o quanto pressiona o pedal do acelerador e verifique como o Crazy Cart Shift reage à medida que aumenta ou diminui a velocidade enquanto vira. Deve tomar conhecimento de que acelerar a fundo enquanto vira resulta num peão por parte do Crazy Cart Shift.
3. Continuando a efectuar os mesmos círculos, experimente impedir o kart de fazer peão “contra brecando”. Contra brecar para impedir o Crazy Cart Shift de fazer peão é alcançado apontando a seta no volante na direcção oposta ao qual o kart está a fazer peão. Por exemplo, se estiver a virar a fundo para a direita, o kart poderá fazer peão numa direcção para o lado direito. Este peão pode ser contrariado rodando o volante ligeiramente para o lado esquerdo e/ou reduzindo a pressão no pedal do acelerador. A prática é a melhor forma de dominar esta habilidade.
4. Pratique parar o Crazy Cart Shift retirando o seu pé do pedal do acelerador e rodando o volante 90° para a esquerda ou para a direita.
5. Pratique permanecer “confortável” durante curvas apertadas ou peões.

AVISO: reconheça que estas características de condução especiais afectam a forma como o Crazy Cart Shift funciona e requerem cuidado e atenção redobrados para condições e práticas de condução seguras. Leia e reveja os Avisos de segurança e tenha cuidado redobrado com o Crazy Cart Shift para evitar ambientes com trânsito, obstáculos ou descidas. Isto não é um “carrinho de choque” e não foi concebido para colisões, saltos ou para utilização em outras superfícies para além de áreas rijas, suaves, planas e secas.

**JAK OBSŁUGIWAĆ CRAZY CART SHIFT**

Przed przystąpieniem do korzystania z tego produktu poświęć czas na naukę sposobu jazdy. Rozpocząć powoli. Ćwicząc i zachowując uwagę, należy zapoznać się ze wskazówkami i poradami dotyczącymi jazdy, tak aby jazda Crazy Cart Shift była przyjemna i bezpieczna.

Nigdy nie ustawiać przełącznik ON/OFF w położeniu **ON(WŁ.)** przed zajęciem miejsca na siedzeniu kierowcy Crazy Cart Shift. Jeśli zajmie się miejsce przed włączeniem zasilania **ON(WŁ.)**, nie ma ryzyka utraty równowagi po naciśnięciu pedału przyspieszenia, stojąc, wsiadając lub wysiadając z Crazy Cart Shift. **ZAWSZE** obracać przełącznik ON/OFF do pozycji **OFF(WYL.)** przed opuszczeniem Crazy Cart Shift.

WAŻNE ELEMENTY STERUJĄCE:**PRZEŁĄCZNIK PRĘDKOŚCI WYSOKIEJ/NISKIEJ DLA RODZICA**

Crazy Cart Shift jest wyposażony w ukryty przełącznik kontroli prędkości, który umożliwia rodzicom dyskretne zmniejszanie (lub zwiększanie) maksymalnej prędkości jazdy. Ogranicznik jest przeznaczony dla rodziców młodszych dzieci i tych, które powinny poćwiczyć, aby nauczyć się poruszania się przy użyciu Crazy Cart Shift.

Przełącznik jest ukryty w komorze akumulatora Crazy Cart Shift, tak aby nie można się było do niego dostać bez użycia klucza imbusowego. Dostępne są dwa ustawienia:

- Gdy przełącznik jest w ustawieniu WYSOKA (HIGH), maksymalna prędkość Crazy Cart Shift to 13 km/h. Jest to domyślne ustawienie zalecane dla dzieci w wieku od 8 lat.
- Gdy przełącznik jest w ustawieniu NISKA (LOW), maksymalna prędkość Crazy Cart Shift jest ograniczona do 4 km/h, a zalecany minimalny wiek użytkownika to 6 lat.

PEDAŁ PRZYSPIESZENIA I KIEROWNICA

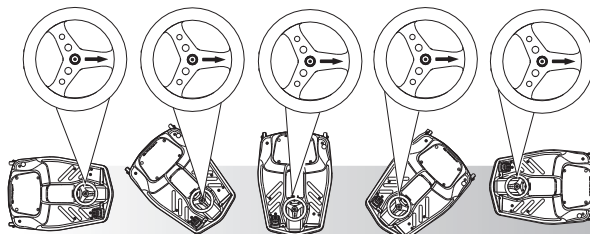
Crazy Cart Shift umożliwia kreatywne ślizgi, obroty i skręty, których nie można wykonać na żadnym zwykłym gokarcie. Jeśli użytkownik jeździł na Razor RipStik® lub Razor RipRider® 360, można pomyśleć o tych kółkach obrotowych i sposobie, w jaki umożliwiają gwałtowne zmiany kierunku; albo o tym, jak gokart Razor Ground Force™ Drifter™ umożliwiają ślizg tylnymi kołami. Crazy Cart Shift umożliwia taką jazdę, a także nawet ciasniejsze skręty za sprawą w pełni obrotowego przedniego koła napędowego i tylnych kółek obrotowych. Nauka jazdy na Crazy Cart Shift może być niezwykle rozrywkowa, ale ważne jest, jak w przypadku wszystkich poruszających się produktów, aby zawsze zachować uwagę podczas jazdy.

PEDAŁ PRZYSPIESZENIA:

Crazy Cart Shift jest wyposażony w pedał przyspieszenia, który kontroluje jego prędkość. Pedał przyspieszenia umożliwia jazdę w zakresie prędkości od 0-13 km/h przy ustawieniu WYSOKA (HIGH) oraz w zakresie 0-4 km/h przy ustawieniu NISKA (LOW), w zależności od siły nacisku.

KIEROWNICA:

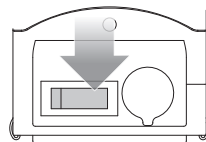
Kierownica Crazy Cart Shift różni się w kilku aspektach od kierownicy zwykłego samochodu lub gokarta. Najważniejszą kwestią, o której należy pamiętać odnośnie kierownicy Crazy Cart Shift, jest to, że strzałka na niej wskazuje kierunek jazdy gokarta, niezależnie od orientacji reszty pojazdu. Wystarczy skierować strzałkę w kierunku, w którym pojazd ma jechać (zmieniając nacisk na pedał przyspieszenia, można zmieniać sposób podążania tylnej części Crazy Cart Shift, zgodnie z opisem poniżej).



KIERUNEK JAZDY

Kierownica Crazy Cart Shift może obracać się o więcej niż 170° w każdym kierunku. Kierownica jest wyposażona w ogranicznik obrotu - nie obraca się bez końca, ale po obrocie do krańca w jednym lub drugim kierunku, można jechać Crazy Cart Shift do tyłu, a po obrocie do niemal 90° Crazy Cart Shift może wykonać bardzo ciasny skręt (uważać, aby uniknąć utraty kontroli poprzez tak ciasne skręty, które spowodują zawroty głowy).

Konfiguracja zintegrowanego mechanizmu napędu i kierowania Crazy Cart Shift przypomina konstrukcję samochodu w wesołym miasteczku. Nie ma funkcji pochylenia kół lub samonastawiania (przez co rurka kierująca porusza się prosto w górę i dół, tak że koło samo „nie wyrównuje” kierunku). Taka forma



WAŻNE: Do jazdy należy zawsze wybierać obszar poziomy, gładki, suchy i całkowicie wolny od ruchu lub przeszkód. **NIE JEŹDZIĆ WOKÓŁ SAMOCHODÓW!**

WSKAZÓWKA DOTYCZĄCA JAZDY: Nauka, kiedy nacisnąć, a kiedy zwolnić pedał przyspieszenia zwiększy umiejętność płynnego wykonywania obrotów, ślizgów i trików. Najlepszym sposobem nauki możliwości jakie oferuje Crazy Cart Shift są próby wykonywania manewrów przy małej prędkości.

**OSTRZEŻENIE:**

Zbyt długi czas lub za duża prędkość w skrętach może prowadzić do utraty równowagi, utraty kontroli i przewrócenia się. Skierowanie kończyn i głowy w kierunku środka Crazy Cart Shift może zmniejszyć ryzyko przewrócenia się, ponieważ siły ergonomiczne mogą zwiększyć ryzyko przewrócenia, jeśli ciało jest pochylone na zewnątrz i/lub prędkość skrętu nadmiernie wzrasta. Zdejmij nogę z pedału przyspieszenia, jeśli skręty stają się zbyt szybkie do kontroli, nie próbuj przyspieszać, by wyjść ze skrętu. Crazy Cart Shift może przyspieszać szybciej z jeśli prowadzący ma małą wagę - to jedna z przyczyn ustalenia minimalnego zalecanego wieku na 6 lat. Zwracać uwagę na bezpieczeństwo!

sterowania może, w pewnych warunkach, powodować chybotanie lub wibrowanie - jest to normalne zjawisko. Zwykle jest to rezultat braku koordynacji lub niekorzystnej kontroli. Gdy odczuwasz chybotanie układu kierowania, zmiana kierunku („przeciwna reakcja”) i/lub zmiana prędkości pomaga w ponownym uzyskaniu płynnej jazdy.



OBROTY, ŚLIZGI I ZATRZYMYWANIE CRAZY CART SHIFT

Najlepszym sposobem korzystania z Crazy Cart Shift jest ostra koordynacja kierowania, używanie drążka ślizgu i pedału przyspieszenia. Większość obrotów i ślizgów można, które można wykonać w Crazy Cart Shift, dokonuje się przez uważne sterowanie pedałem przyspieszenia i celowej manipulacji kierownicą. Nauka, gdzie skierować strzałkę na kierownicy i kiedy zwiększyć lub zmniejszyć moc, to klucz do płynnej kontroli trików. Płynna jazda zwiększa także czas jazdy między ładowaniami. Przy pierwszym zaznajomieniu z Crazy Cart Shift zaleca się, aby kierowcy ostrożnie używali pedału przyspieszenia i poświęcili czas na poznanie rezultatów połączenia przeciwna reakcja i kontroli pedału przyspieszenia do obracania i utrzymywania Crazy Cart Shift w uślizgu.

Crazy Cart Shift nie ma oddzielnego hamulca, ale łatwo jest go zatrzymać, mając pewne doświadczenie. Oczywiście zdjęcie stopy z pedału przyspieszenia powoduje zwolnienie pojazdu w wyniku tarcia w układzie napędowym. Aby zatrzymać natychmiast Crazy Cart Shift poruszający się do przodu, zdejmij nogę z pedału przyspieszenia i obróć kierownicę o 90° w lewo lub prawo. Zdjęcie stopy z pedału przyspieszenia i obrócenie kierownicy spowoduje obrócenie Crazy Cart Shift lub poślizg w kółko i zatrzymanie pojazdu. Obracając kierownicę o 90° i zdejmując stopę z pedału przyspieszenia, kierowca może natychmiast zatrzymać ruch do przodu i skręcić. W ten sposób Crazy Cart Shift może uniknąć kolizji i zderzenia z innymi obiektami na drodze.

Dla własnego bezpieczeństwa należy poświęcić odpowiednio dużo czasu na zaznajomienie się z kombinacją naciskania pedału przyspieszenia i skręcania kierownicy, aby nauczyć się zwalniania i zatrzymywania przy zachowaniu kontroli nad pojazdem. Należy ćwiczyć te umiejętności w celu zapewnienia maksymalnego bezpieczeństwa kierującego.

Te podstawowe ćwiczenia w kierowaniu mogą pomóc w zaznajomieniu kierowców z możliwościami Crazy Cart Shift:

1. Najpierw kieruj pojazdem po okręgu.
2. Pokonując okrężną drogę, zmieniaj stopień nacisku na pedał przyspieszenia. Zauważ, jak Crazy Cart Shift reaguje na zwiększanie i zmniejszanie prędkości podczas skręcania. Gwałtowne przyspieszenie podczas skręcania powoduje obracanie Crazy Cart Shift wokół osi.
3. Wykonując cały czas te same kółka, eksperymentuj, próbując nie doprowadzić do obrócenia pojazdu poprzez zastosowanie przeciwna reakcja. Stosowanie przeciwna reakcja, by nie doprowadzić do obrócenia Crazy Cart Shift, polega na kierowaniu strzałki na kierownicy w stronę przeciwną do kierunku, w którym Crazy Cart Shift może się obrócić. Na przykład, jeśli skręcasz ostro w prawo, pojazd może obrócić się w kierunku zgodnym z ruchem wskazówek zegara. Można temu zapobiec, obracając kierownicę nieznacznie w lewo i/lub zmniejszając nacisk na pedał przyspieszenia. Ćwiczenie to najlepsza metoda opanowania tej umiejętności.
4. Ćwicz zatrzymywanie Crazy Cart Shift poprzez zdejmowanie stopy z pedału przyspieszenia i obracanie kierownicy o 90° w lewo lub prawo.
5. Ćwiczyć, pochylając się do środka skrętu w trakcie ciasnych skrętów lub obrotów.

OSTRZEŻENIE: Należy pamiętać, że te specjalne sposoby jazdy wpływają na to, jak działa Crazy Cart Shift i wymagają dodatkowej uwagi i doświadczenia w celu zapewnienia bezpiecznej jazdy. Przeczytać ostrzeżenia bezpieczeństwa, a także szczególnie uważać, aby unikać ruchu, przeszkód i jazdy z góry. Nie jest to pojazd do zderzania ani pojazd zaprojektowany do udziału w kolizjach, skokach ani do korzystania na powierzchniach innych niż utwardzone, gładkie, płaskie i suche obszary.

**HOGYAN MŰKÖDIK A CRAZY CART SHIFT?**

Az izgalmas termék kipróbálása előtt, szánjon időt annak megismerésére, hogy miért mozog a gokart úgy, ahogy mozog. Kezdje el lassan. Gyakorlattal és odafigyeléssel ismerkedjen meg a gokartozási módszerekkel, tippekkel, hogy a Crazy Cart Shifttel kapcsolatos élményei lehetővé tegyék a maximális szórakozást úgy, hogy Ön kézbén tartja a gokartot.

Soha ne fordítsa a BE/KI kapcsolót **ON(BE)** állásba azelőtt, hogy belül a Crazy Cart Shift vezetőülésébe. Ha a kapcsoló **ON(BE)** állásba történő elfordítása előtt helyezkedik el, akkor nem áll fenn annak kockázata, hogy beszállás vagy kiszállás közben megnyomja a Crazy Cart Shift gázpedálját, és elveszíti az egyensúlyát. **MINDIG** állítsa a BE/KI kapcsolót **OFF(KI)** állásba, ha abbahagyja a Crazy Cart Shift használatát.

FONTOSABB FUNKCIÓK:**SZÜLŐK ÁLTAL FELÜGYELT GYORS/LASSÚ (HIGH/LOW) KAPCSOLÓ**

A Crazy Cart Shiften van egy rejtett, sebességet beállító kapcsoló, amely lehetővé teszi a szülőknek, hogy lecsökkentsék (vagy növeljék) a Crazy Cart Shift maximális sebességét. Ez a kapcsoló fiatalabb gyermekek szülei részére ajánlott, akiknek még több időre van szükségük ahhoz, hogy megismerjék a Crazy Cart Shift mozgását.

A kapcsoló a Crazy Cart Shift akkumulátora mellett van elrejtve, hogy az eszközt használó személyek csak így imbuszkulccsal férjenek hozzá. Két beállítás között lehet választani:

- Amikor a kapcsoló GYORS állásban van, a Crazy Cart Shift maximális sebessége 13 km/h. Ez az alapértelmezett beállítás, és 8 éven felüli gyermekek részére javasoljuk.
- Amikor a kapcsoló LASSÚ állásban van, a Crazy Cart Shift maximális sebessége 4 km/h, és ezt 6 éven felüli gyermekek részére javasoljuk.

A GÁZPEDÁL ÉS A KORMÁNYKERÉK

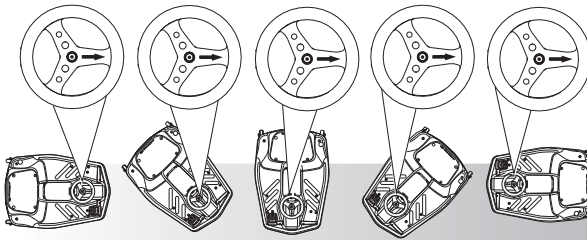
Crazy Cart Shift rendkívül kreatív sodródást, pörgést és fordulást tesz lehetővé, amelyre a hagyományos gokartok nem képesek. Ha már kipróbálta a Razor RipStik®-et vagy a Razor RipRider® 360-t, gondoljon a görgős kerekre, és arra, hogy miként teszik lehetővé a gyors irányváltást, vagy hogy a Razor Ground Force™ Drifter™ gokart miként teszi lehetővé a hátsó sodródást maximális sebességen. A Crazy Cart Shift ezekre a mozgásokra épül, és teljesen elforgatható első hajtókerekekkel és a hátsó görgő kerekkel még élesebb fordulatokat tesz lehetővé. A Crazy Cart Shift fantasztikusan szórakoztató lehet, és mint minden mozgó termék esetében, az elővigyázatosság mindig fontos.

GÁZPEDÁL:

A Crazy Cart Shift fel van szerelve egy gázpedállal, amely a gokart sebességét vezérli. Ez a sebességszabályozó lehetővé teszi az eszköz használatát 0-13 Km/h között GYORS állásban, és 0-4 Km/h között LASSÚ állásban, a gázadástól függően.

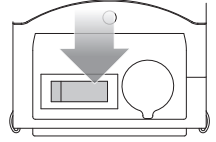
KORMÁNYKERÉK:

A Crazy Cart Shift kormánykeréke több módon is eltér egy hagyományos autó kormányától. A Crazy Cart Shift kormányával kapcsolatban a legfontosabb dolog az, hogy a rajta lévő nyíl abba az irányba mutat, amerre a gokart haladni fog, függetlenül attól, hogy a gokart többi része merre áll. Állítsa a nyilat abba az irányba, amerre haladni szeretne (ha a gázpedált különböző erősséggel nyomja meg az hatással van arra, hogy a Crazy Cart Shift hátulja miként mozog, az alábbiakban leírt módon).



DIRECTION OF TRAVEL

A Crazy Cart Shift kormánykerékét több mint 170°-kal lehet elmozdítani mindkét irányba. A kormánykerék „felütközik” amikor elérte az elfordulás határát - nem lehet végtelenül körbe-körbe forgatni, de ha eltérően maximálisan egyik vagy másik irányba, akkor hátrafelé fog haladni a Crazy Cart Shift, ha pedig nagyjából 90°-ban forgatja el a kormánykeréket, akkor a Crazy Cart Shift egy nagyon kis körben halad körbe-körbe (vigyázzon, mert ha sokat forog körbe-körbe, akkor elszedülhet és elveszítheti az uralmát a gokart felett).



FONTOS: Mindig olyan területet válasszon a gokartozáshoz, amely vízszintes, síma, száraz, akadálytól mentes és ahol nem közlekednek mások. **NE HASZNÁLJA A GOKARTOT JÁRMŰVEK KÖZELÉBÉN!**

GOKARTOZÁSI ÖTLET: Ha megtanulja, hogy mikor kell gázt adni és mikor kell levennie a lábát a gázpedálról, akkor egyre ügyesebben tud majd pörögni, sodródni és trükköket csinálni. A legjobb módja a Crazy Cart Shift képességei megismerésének az, ha kis sebességen próbál ki dolgokat.



FIGYELMEZTETÉS: Ha túl sok ideig vagy túl gyorsan pörög, akkor elveszítheti az uralmát a gokart felett és felborulhat. Ha a végtagjait és a fejét a Crazy Cart Shift középső részéhez szorítja, akkor csökkentheti a felborulás veszélyét, mert az ergonomiai erők növelik a felborulás kockázatát, ha a teste kifelé dől és/vagy a pörgés túlzottan felgyorsul. Vegye le a lábát a gázpedálról, ha a pörgés túlzottan felgyorsul, ne próbáljon meg gázt adni pörgéskor. A Crazy Cart Shift rövidebb idő alatt gyorsul fel, ha a vezető testsúlya kisebb, és például ezért javasoljuk, hogy 6 évtől fiatalabb gyermekek ne használják a gokartot. Legyen biztonság tudatos!



A Crazy Cart Shift kormányzási konfigurációja és mechanizmusa hasonló a „dodzemek” kialakításához. Nem rendelkezik önbeálló kerékdőléssel vagy utánfutással (ez azt jelenti, hogy a kormánycső egyenesen fel-le megy, úgyhogy a kerék nem „áll irányba” magától). Az ilyen kormányzás bizonyos körülmények között némi kilengés vagy vibrációt okozhat- ez normális. Általában ez a nem koordinált vagy kedvezőtlen beállítás miatt van így. Ha úgy érzi, hogy a kormánykerék nem reagál megfelelően a kormányzásra, az irányváltás („ellenkormányzás”) és/vagy a sebesség megváltoztatása segít a pontos kormányzás visszaállításában.

PÖRGÉS, SODRÓDÁS ÉS A CRAZY CART SHIFT MEGÁLLÍTÁSA

A Crazy Cart Shift legjobb használatához gondosan össze kell hangolni a kormányzást és a gázadást. A Crazy Cart Shifttel végezhető pörgésekhez és sodródásokhoz óvatosan kell bánni a gázpedállal és tudatosan kell kormányozni. Az ügyes mutatványokhoz meg kell tanulni, hogy merre kell fordítani a kormánykeréken a nyilat és, hogy mikor kell gázt adni, vagy éppen lassítani. A sima, egyenes vezetés a töltések közötti időtartamot is megnöveli. Amikor először kezd gyakorolni a Crazy Cart Shifttel, akkor erősen javasoljuk, hogy a vezető óvatosan bánjon a gázpedállal, és gyakorolja a kormány mozgását, hogy megszokja a Crazy Cart Shift forgását és sodródását.

A Crazy Cart Shiften nincs külön fék, de gyakorlattal könnyű megállítani a kocsit. Ha leveszi a lábát a gázpedálról, akkor természetesen lassulni fog a gokart a meghajtás súrlódási ereje miatt. Ha szeretné a Crazy Cart Shift előre irányuló mozgását azonnal leállítani, akkor vegye le a lábát a gázpedálról, és fordítsa el a kormánykereket bármelyik irányba 90 fokkal. Ha leveszi a lábát a gázpedálról, és elfordítja a kormánykereket, akkor a Crazy Cart Shift pörögni vagy sodródni fog, majd lelassul és megáll. Ha a vezető leveszi a lábát a gázpedálról és elfordítja a kormánykereket, akkor azonnal le tudja állítani az előre irányuló mozgást, mert a koci oldalra fog mozogni. Így el lehet kerülni az ütközéseket és ki lehet kerülni az útban lévő akadályokat.

A saját biztonsága érdekében szánjon időt arra, hogy megszokja a gázadást és a láb levételét a gázpedálról, megszokja a kormányzást, és megtanuljon lassítani, úgy, hogy a Crazy Cart Shift mindig az uralma alatt legyen. Gyakorolja ezeket, és használja biztonságosan a gokartot.

A következő alapvető kormányzási gyakorlatok segíthetnek, hogy a vezetők megismerjék a Crazy Cart Shift képességeit:

1. Először körbe körbe menjen.
2. Ugyanazokat a köröket írja le, figyelje meg, hogy mi történik, ha leveszi a lábát a gázpedálról, és figyelje meg, hogy miként reagál a Crazy Cart Shift ha gyorsít vagy lassít kanyarodás közben. Észre fogja venni, hogy ha fordulás közben erősen megnyomja a gázpedált, akkor a Crazy Cart Shift kifarol.
3. Még mindig ugyanazokat a köröket tegye meg, és próbáljon meg “ellen-kormányozni”, hogy a gokart ne faroljon ki. Ha szeretné, hogy a Crazy Cart Shift ne faroljon ki, akkor fordítsa a kormányon lévő nyilat a farolással ellentétes irányba. Ha például erősen jobbra dől, akkor a gokart kifarolhat az óramutató járásával megegyező irányba. A kifarolást csökkenteni lehet azzal, ha egy kicsit balra kormányoz és/vagy kisebb erővel nyomja a gázpedált. A gyakorlás a legjobb módja, hogy elsajátítsa ezt a képességet.
4. Gyakorolja a Crazy Cart Shift leállítását, úgy hogy leveszi a lábát a gázpedálról, és elfordítja a kormánykereket bármelyik irányba 90 fokkal.
5. Gyakorolja, hogy éles kanyarokban és pörgés során se mozduljon ki az ülésből, hanem maradjon meg benne.

⚠ FIGYELMEZTETÉS: Ne feledje, hogy ezek a különleges vezetési jellegzetességek határozzák meg a Crazy Cart Shift funkcióit, és rendkívüli odafigyelést és figyelmet igényelnek a biztonságos vezetési gyakorlatokhoz. Olvassa el és nézze át a biztonsági figyelmeztetéseket, és legyen rendkívül óvatos a Crazy Cart Shifttel, ne menjen vele a forgalomba, kerülje ki az akadályokat és a lejtmeneteket. Ez nem „ütközésekre tervezett” koci, és nem úgy terveztük, hogy ellenálljon az ütközéseknek, hogy kibírja, ha rajta ugrál valaki, vagy hogy nem sima, kemény felületen használják.



УПРАВЛЕНИЕ CRAZY CART SHIFT

Прежде чем кататься на этом замечательном изделии, ознакомьтесь с принципами и особенностями его работы. Начинайте с медленной езды. В ходе практики вы должны ознакомиться с этими советами и рекомендациями по езде, чтобы получать максимум удовольствия от Crazy Cart Shift и держать его под контролем.

Никогда не устанавливайте выключатель в положение **ON(ВКЛ.)**, пока не сядете на сиденье Crazy Cart Shift. Заняв место перед установкой выключателя в положение **ON(ВКЛ.)**, вы не рискуете потерять равновесие в положении стоя при нажатии педали акселератора во время посадки на Crazy Cart Shift (или при схождении с него). **ВСЕГДА** устанавливайте выключатель питания в положение **OFF(ВЫКЛ.)**, прежде чем покинуть Crazy Cart Shift.

ВАЖНЫЕ ОРГАНЫ УПРАВЛЕНИЯ:

ПЕРЕКЛЮЧАТЕЛЬ СКОРОСТИ HIGH-LOW ДЛЯ РОДИТЕЛЕЙ

Ваш Crazy Cart Shift имеет скрытый переключатель скорости, который позволяет взрослым уменьшать (или повышать) максимальную скорость дрифт-карта. Этот ограничитель предназначен для родителей детей младшего возраста и тех, кто только учится ездить и привыкает к особенностям движения Crazy Shift Shift.

Переключатель скрыт внутри отсека для батареи Crazy Cart Shift, следовательно, гонщик не сможет получить доступ к нему без использования гаечного ключа. Переключатель имеет два положения:

- В положении HIGH максимальная скорость Crazy Cart Shift ограничена до 13 км/ч. Эта настройка установлена по умолчанию и рекомендуется для гонщиков в возрасте от 8 лет.
- В положении LOW максимальная скорость Crazy Cart Shift ограничена до 4 км/ч, что рекомендовано для гонщиков старше 6 лет.

ПЕДАЛЬ АКСЕЛЕРАТОРА И РУЛЕВОЕ КОЛЕСО

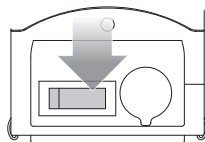
Crazy Cart Shift позволяет выполнять головокружительные заносы, развороты и вращения, невозможные на обычных картах. Если вы ездили на Razor RipStik® или Razor RipRider® 360, вы уже имеете представление о колесиках, которые позволяют быстро менять направление движения; возможность заднего заноса на полной скорости уже была реализована в карте Razor Ground Force® Drifter™. Crazy Cart Shift выполняет такие же движения, а также позволяет выполнять еще более крутые повороты благодаря полностью вращающемуся переднему ведущему колесу и задним колесикам. Катание на Crazy Cart Shift действительно захватывает, но, как и с другими движущимися средствами, важно всегда соблюдать меры предосторожности.

ПЕДАЛЬ АКСЕЛЕРАТОРА:

Crazy Cart Shift оснащен педалью для управления скоростью. Педаль газа позволяет управлять дрифт-картом в диапазоне скоростей от 0 до 13 км/ч в положении HIGH и 0-4 км/ч в положении LOW, что зависит от силы нажатия педали.

РУЛЕВОЕ КОЛЕСО:

Рулевое колесо Crazy Cart Shift отличается от руля обычной машины или карта по нескольким параметрам. Самое важное, что нужно запомнить при использовании рулевого колеса Crazy Cart Shift: стрелка на нем указывает в направлении, в котором поедет карт, независимо от положения ходовой части. Просто направьте стрелку туда, куда должен поехать карт (изменение давления на педаль акселератора может изменить направление движения задней части Crazy Cart Shift, как описано ниже).



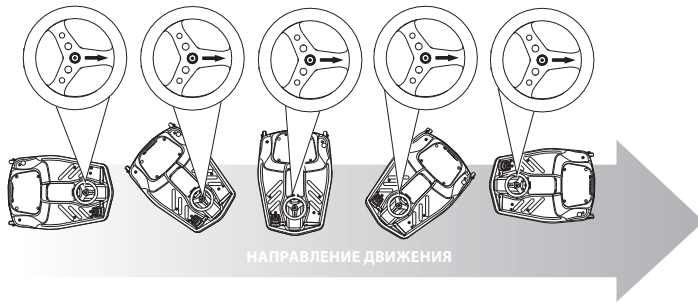
ВАЖНО: Место для катания всегда должно быть ровным, гладким, сухим, свободным от другого транспорта или препятствий. КАТАТЬСЯ НА ПРОЗРЕЖЕЙ ЧАСТИ ЗАПРЕЩЕНО!

СОВЕТ ПО КАТАНИЮ:

Научившись вовремя нажимать и вовремя отпускать педаль акселератора, вы сможете качественнее выполнять вращения, заносы и трюки. Лучший способ выучить возможности Crazy Cart Shift - попрактиковаться на низкой скорости.

⚠ ПРЕДУПРЕЖДЕНИЕ:

Чрезмерная длительность или скорость разворота может привести к потере равновесия, потере управления и опрокидыванию. Удерживание конечностей и головы строго по центру Crazy Cart Shift сокращает риск опрокидывания, так как центробежные силы могут повысить риск опрокидывания, если части тела выступают наружу, а скорость вращения слишком быстро нарастает. Уберите ногу с педали акселератора, если вращение выходит из-под контроля, не пытайтесь выйти из маневра путем ускорения. Чем легче пользователь, тем быстрее разгонится Crazy Cart Shift, поэтому минимальный рекомендуемый возраст использования составляет 6 лет. Соблюдайте правила безопасности!



Рулевое колесо Crazy Cart Shift может вращаться более чем на 170° в любом направлении. Угол поворота рулевого колеса ограничен механическими упорами: оно не может совершить полный поворот, но повернув рулевое колесо до упора в том или ином направлении, можно ехать на Crazy Cart Shift задним ходом, а повернув его примерно на 90°, можно ехать на Crazy Cart Shift по кругу с очень малым радиусом (при таком развороте может закружиться голова, и существует риск потерять управление).



Принцип действия интегрированного рулевого и приводного механизма Crazy Cart Shift напоминает сталкивающиеся машинки. Автоматическое регулирование угла установки колеса отсутствует (то есть рулевой вал движется вверх и вниз, поэтому колесо не устанавливается автоматически). При определенных обстоятельствах этот механизм рулевого управления может слегка дрожать или вибрировать - это нормально. Как правило, это происходит в результате нарушения координации или в неблагоприятных для управления условиях. Если вы чувствуете дрожание при повороте, изменение направления (поворот рулевого колеса в противоположном направлении) и/или скорости может помочь восстановить плавное управление.

ВРАЩЕНИЕ, ЗАНОСЫТЕНИЕ CRAZY CART SHIFT

Идеальное вождение Crazy Cart Shift предполагает хорошо скоординированное использование рулевого колеса и акселератора. Большинство разворотов и заносов, которые можно выполнить с помощью Crazy Cart Shift, выполняются с использованием акселератора и рулевого колеса. Для плавного выполнения контролируемых трюков необходимо научиться направлять стрелку на рулевом колесе в нужном направлении и повышать или снижать мощность. Кроме того, плавная езда продлевает интервал между зарядками аккумулятора. При первом использовании Crazy Cart Shift настоятельно рекомендуется аккуратно жать на педаль акселератора и уделить время ознакомлению с одновременным поворотом рулевого колеса в противоположном направлении и управлением педалью акселератора для разворотов и заносов на Crazy Cart Shift.

На Crazy Cart Shift нет отдельного тормоза, но попрактиковавшись, вы легко научитесь тормозить. Конечно, когда вы уберете ногу с педали акселератора, движение карта замедлится в результате трения в системе привода. Чтобы мгновенно остановить движение Crazy Cart Shift вперед, снимите ногу с педали акселератора и поверните рулевое колесо на 90° в любом направлении. Если вы снимете ногу с педали акселератора и повернете рулевое колесо, Crazy Cart Shift начнет разворот на месте или войдет в круговой занос до полной остановки. Поворачивая рулевое колесо на 90° и снимая ногу с педали акселератора, пользователь может немедленно прекратить движение вперед и повернуть. Таким образом Crazy Cart Shift может избежать столкновения и уклониться от препятствий на пути.

Из соображений безопасности необходимо уделить время ознакомлению и привыканию к различным комбинациям отпускания педали акселератора и поворота рулевого колеса, чтобы научиться замедляться и останавливаться, не теряя контроля. Развивайте эти навыки с соблюдением техники безопасности.

Следующие базовые упражнения помогут пользователям ознакомиться с возможностями Crazy Cart Shift:

1. Сначала поворачивайте по кругу.
2. Выполняя круги, меняйте нажим на педаль акселератора и обращайте внимание на то, как Crazy Cart Shift реагирует при увеличении и уменьшении скорости при повороте. Вы должны заметить, что резкое ускорение при повороте заставляет Crazy Cart Shift вращаться.
3. Продолжая ехать по кругу, попробуйте остановить вращение корпуса карта при помощи поворота рулевого колеса в противоположном направлении. Поворот рулевого колеса в противоположном направлении для остановки вращения Crazy Cart Shift достигается путем установки стрелки на рулевом колесе в направлении, противоположном вращению Crazy Cart Shift. Например, при резком повороте вправо карт может вращаться по часовой стрелке. Это вращение можно остановить, слегка повернув рулевое колесо влево и/или снизив давление на педаль акселератора. Практика – лучший способ освоить этот навык.
4. Научитесь останавливать Crazy Cart Shift, сняв ногу с педали акселератора и повернув рулевое колесо на 90° влево или вправо.
5. Потренируйтесь группировать свое тело ближе к центру при крутых поворотах и разворотах на месте.

⚠ ПРЕДУПРЕЖДЕНИЕ: Имейте в виду, что эти особенности езды влияют на работу Crazy Cart Shift и требуют повышенной осторожности и внимания для безопасного катания. Прочитайте и изучите предупреждения по технике безопасности и проявляйте крайнюю осторожность при эксплуатации Crazy Cart Shift, избегая дорожного движения, препятствий и наклонных поверхностей. Это не мини-электромобиль с бампером, и он не предназначен для столкновений, прыжков или использования на любых других поверхностях, кроме твердых, гладких, плоских и сухих.

**HUR DU ANVÄNDER CRAZY CART SHIFT**

Innan du kör denna spännande produkt ska du ta dig tid att lära dig hur den rör sig som den gör. Börja långsamt. Genom träning och försiktighet lär du dig de här körråden och -tipsen så att dina kunskaper om Crazy Cart Shift gör att du kan maximera nöjet samtidigt som du har kontroll.

Sätt aldrig strömbrytaren på **ON(PÅ)** innan du satt dig i förarsätet i Crazy Cart Shift. Sätt dig ordentligt på plats innan du slår på strömmen. Då riskerar du inte att förlora balansen om du råkar trycka **ON(PÅ)** gaspedalen när du sätter dig i (eller stiger ur) Crazy Cart Shift. Sätt **ALLTID** strömbrytaren på **OFF(AV)** innan du stiger ur Crazy Cart Shift.

VIKTIGA KONTROLLFUNKTIONER:**FÖRÄLDRAKONTROLLERAD HASTIGHETSVÄLJARE (HIGH/LOW)**

Den Crazy Cart Shift har en dold hastighetsväljare som gör det möjligt för föräldrar att diskret sänka (eller höja) Crazy Cart Shifts maximala hastighet. Denna begränsare är avsedd för föräldrar med små barn och barn som behöver extra övningstid för att lära sig hur Crazy Cart Shift rör sig.

Väljaren har dolts inuti Crazy Cart Shifts batterifack så att en förare inte kan komma åt den utan en insexnyckel. Det finns två inställningar:

- När väljaren är i läget HIGH (hög hastighet) har Crazy Cart Shift en maximal hastighet på 13 km/h. Detta är standardinställningen och rekommenderas för förare som är 8 år och över.
- När väljaren är i läget LOW (låg hastighet) är Crazy Cart Shifts maximala hastighet begränsad till 4 km/h och den rekommenderade lägsta föråldern är då 6 år.

GASPEL OCH RATT

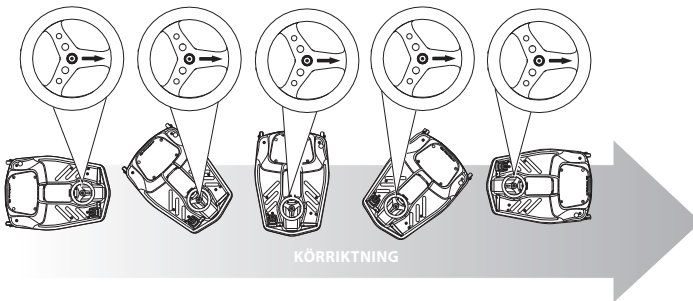
Med Crazy Cart Shift kan du drifta, slira och svänga på ett sätt som ingen vanlig go-kart kan. Om du kört en Razor RipStik® eller en Razor RipRider® 360, kan du tänka på de svängbara hjulen och hur man snabbt kan ändra riktningen med dem; eller hur en Razor Ground Force® Drifter™ go-kart möjliggör bakvagnsdriftning i full hastighet. Crazy Cart Shift bygger på dessa rörelser och har dessutom snävare svängningsmöjligheter genom den helroterande ratten framtill och de svängbara hjulen baktill. Att öva sig med Crazy Cart Shift kan vara mycket skoj och det är viktigt (precis som med alla körbara produkter) att du alltid är försiktig när du kör.

GASPEL:

Crazy Cart Shift har en gaspedal som styr fordonets hastighet. Denna variabla hastighetsväljare gör det möjligt för dig att köra produkten vid olika hastigheter från 0–13 km/h vid den höga inställningen (HIGH) och 0–4 km/h vid den låga inställningen (LOW), beroende på hur mycket den trycks in.

RATT:

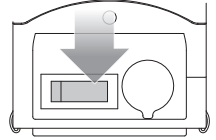
Crazy Cart Shifts skiljer sig från en normal bil eller go-cart på många olika sätt. Det viktigaste att komma ihåg när det gäller Crazy Cart Shifts ratt är att pilen på den pekar i den riktning som fordonet kommer att köra, oavsett vilken orientering resten av fordonet har. Rikta bara pilen åt det håll som du vill att fordonet ska köra. (Genom att ändra trycket på gaspedalen kan du ändra hur bakkdelen av Crazy Cart Shift följer med, enligt beskrivning nedan).



KÖRRIKTNING

Crazy Cart Shifts ratt kan rotera i mer än 170° åt båda hållen. Ratten har ett stopp när den kommer till gränsen för hur mycket man kan vrida den – den fortsätter inte att gå runt hela vägen, men genom att vrida den helt i ena riktningen eller helt i den andra kan man köra Crazy Cart Shift baklänges – och genom att vrida den 90 grader, eller nära 90 grader, kan Crazy Cart Shift köra i en otroligt snäv cirkel (var försiktig så att du inte förlorar kontrollen genom att du snurrat så mycket att du blir yr).

Styrinställningen på Crazy Cart Shifts integrerade styr- och drivmekanism påminner om vad man skulle kunna kalla en "radiobilspanning". Den har inga självkorrigeringar eller lutningsfunktioner (rattstången går alltså rakt upp och ner vilket innebär att hjulet inte riktar in sig självt). Sådan styrning kan i vissa förhållanden skaka eller vibrera en aning och detta är helt normalt. Vanligtvis är det



VIKTIGT! Välj alltid ett körområde som är plant, jämnt och torrt och där det inte finns någon trafik eller några hinder. **KÖR INTE BLAND FORDON!**

KÖRTIPS: Att lära sig när man ska trampa ner och släppa upp gaspedalen förbättrar möjligheten till smidiga slirningar, driftningar och tricks. Bästa sättet att lära sig Crazy Cart Shifts funktioner är att testa dem i låga hastigheter.

⚠ VARNING! Om man drifrar för länge eller i för hög hastighet kan det leda till att man förlorar balansen, kontrollen eller vältar. Om man håller armar, ben och huvudet in mot mitten av Crazy Cart Shift kan risken för att välta minska, eftersom ergonomiska krafter ökar risken för vältningsom kroppen lutar utåt och/eller slirningshastigheten ökar för mycket. Ta bort foten från gaspedalen om driftningen blir för snabb och inte går att kontrollera och försök inte att accelerera ut ur en driftning. Crazy Cart Shift kan accelerera snabbare när lättare förare kör den, vilket är en av anledningarna till att den lägsta rekommenderade åldern är 6 år. Tänk på säkerheten!

resultatet av ett okoordinerat eller motsatt styrförhållande. Om du känner att styrningen skakar kan en riktningssändring (motstyrning) och/eller hastighetsförändring hjälpa till att få tillbaka den smidiga kontrollen.



SLIRA, DRIFTA OCH STOPPA CRAZY CART SHIFT

Du kör bäst med Crazy Cart Shift genom att koordinera styrningen och gaspedalen försiktigt. De flesta slirningar och driftningar som kan göras med Crazy Cart Shift utför du genom en försiktig hantering av gaspedalen och avsiktliga vridningar av ratten. Att lära dig vart du ska peka pilen på ratten och när du ska öka eller minska gasen är nyckeln till en bra kontroll av tricks. Smidig körning ökar även körtiden mellan laddningarna. När användare lär sig köra Crazy Cart Shift i början är det starkt rekommenderat att de använder gaspedalen försiktigt och tar sig tid att vänja sig vid vad som händer när de kombinerar motstyrning och gaspedalen för att kontrollera Crazy Cart Shifts slirningar och driftningar.

Det finns ingen separat broms på Crazy Cart Shift, men om man tränar blir det enkelt att stoppa. Om du tar bort foten från gaspedalen saktar fordonet så klart ner som ett resultat av friktionen i drivlinan. Om du vill stoppa Crazy Cart Shifts framåtrörelse omedelbart kan du ta bort foten från gaspedalen och vrida ratten 90 grader åt ena hållet. Om du tar bort foten från gaspedalen och vrider på ratten kommer Crazy Cart Shift att slira eller drifva i en cirkel och sakta ner och stanna. Genom att vrida ratten 90 grader och ta bort foten från gaspedalen kan föraren omedelbart stoppa framåtrörelsen och svänga bort i stället. På så vis kan du undvika kollisioner med Crazy Cart Shift och undvika föremål i fordonets väg.

För din egen säkerhet ska du ta dig tid att vänja dig vid olika kombinationer med gaspedalen och ratten så att du lär dig sakta ner och stanna utan att förlora kontrollen över fordonet. Träna dessa färdigheter för maximal körsäkerhet.

Dessa grundläggande styrningsövningar kan hjälpa förare att lära känna sin Crazy Cart Shifts funktioner:

1. Styr först i en cirkel.
2. Upprepa samma cirkel, variera nedtryckningen på gaspedalen och observera hur Crazy Cart Shift reagerar när du ökar och minskar hastigheten medan du svänger. Du kommer att märka att Crazy Cart Shift börjar slira om du accelererar kraftigt samtidigt som du svänger.
3. Fortsätt att köra i samma cirklar och försök att undvika slirningar genom att "motstyra". Du kan motstyra för att hindra Crazy Cart Shift från att slira genom att rikta pilen på ratten i motsatt riktning till fordonets slirning. Om du t.ex. svänger kraftigt åt höger kan fordonet börja slira medurs. Denna slirning kan motverkas genom att vrida ratten något åt vänster och/eller minska trycket på gaspedalen. Det bästa sättet att lära sig detta är genom att öva.
4. Öva dig på att stanna Crazy Cart Shift genom att ta bort foten från gaspedalen och vrida ratten 90 grader åt vänster eller höger.
5. Öva på att sitta hopkrupen vid snäva svängar eller slirningar.

⚠️ WARNING! Förstå hur dessa speciella körfunktioner påverkar hur Crazy Cart Shift fungerar och att de kräver extra försiktighet och uppmärksamhet för säkra körvillkor och övningar. Läs säkerhetsvarningarna och var extra försiktig när du kör Crazy Cart Shift för att undvika trafik, hinder och nedförslutningar. Detta är ingen radiobil och den är inte avsedd för att klara av kollisioner, hopp eller för användning på underlag som inte är hårda, släta, plana och torra.

**HVORDAN BETJENE CRAZY CART SHIFT**

Før du kjører dette spennende produktet, ta deg tid til å lære hvordan den beveger seg som den gjør. Start rolig. Bli kjent med disse kjørehintene og tipsene med øvelse og vis forsiktighet, sånn at du får mest mulig ut av opplevelsen din med Crazy Cart Shift. Da blir det morsomt og at du holder kontrollen.

Aldri sett ON/OFF-knappen til **ON(PÅ)** før du setter deg i Crazy Cart Shifts fører sete. Sett deg ned før du tar **ON(PÅ)** strømmen, slik at du ikke risikerer at du mister balansen ved at du stående kan komme til å trykke på gasspedalen når du går inn (eller ut av) Crazy Cart Shift. Sett **ALLTID** ON/OFF-knappen til **OFF(AV)** før du går ut av Crazy Cart Shift.

VIKTIGE KONTROLLFUNKSJONER:**FORELDREKONTROLLBRYTER MED HØY/LAV (HIGH/LOW) FART**

Crazy Cart Shift har en skjult fartskontrollbryter, som lar foreldre uoppdaget redusere eller øke farten til maks for Crazy Cart Shift. Denne begrensingen er tiltenkt foreldre med små barn og de som trenger å øve mer for å mestre Crazy Cart Shift sine bevegelser.

Bryteren er skjult i Crazy Cart Shifts batterikammer. Vi har gjort dette for at brukeren ikke skal kunne bruke bryteren uten å åpne kammeret med en unbrakonøkkel. Det er to innstillinger:

- Når bryteren er stilt inn til HØY, får Crazy Cart Shift en oppfart på 13 km/t. Dette er standardinnstillingen, og den anbefales for barn som er 8 år eller eldre.
- Når bryteren er stilt inn til LAV, får Crazy Cart Shift en redusert toppfart på 4 km/t. Anbefalt minimumsalder for denne innstillingen er 6 år.

GASSPEDAL OG RATT

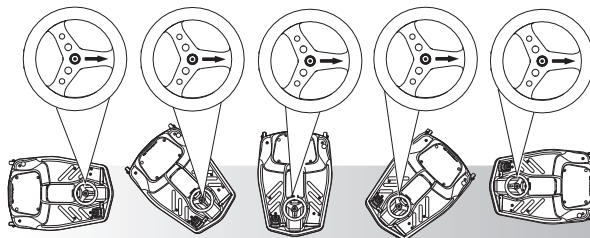
Med Crazy Cart Shift kan man kjøre på en kreativ måte, snurre og snu på en måte som ikke er mulig med vanlige go-karter. Dersom du noen gang har prøvd en Razor RioStik® eller Razor RipRider® 360, tenkt på lenkehjulene og hvordan de gjør at du raskt kan endre retning; eller hvordan en Razor Ground Force® Drifter™-go-kart kan kjøre bakover i full hastighet. Crazy Cart Shift bygger på disse bevegelsene og gir til og med enda større muligheter for svingning i smale områder, dette ved å benytte den fullt ut roterende forhjulsdrift og de bakre lenkehjulene. Det kan være utrolig moro å øve seg på Crazy Cart Shift, og i likhet med alle andre bevegelige produkter, er det viktig å alltid utvise forsiktighet når du kjører.

GASSPEDAL:

Crazy Cart Shift har en fotpedal som er der for å kontrollere kjøretøyets fart. Gassen kan brukes til å variere farten fra 0–13 KM/T med HØY innstilling og 0–4 KM/T med LAV innstilling, alt etter hvor mye den slippes.

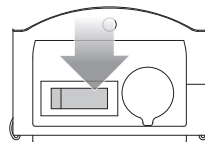
RATTET:

Crazy Cart Shifts ratt er annerledes på flere måter enn det du finner i en bil eller andre kjøretøy. Det viktigste å huske på om Crazy Cart Shifts ratt er at pilen på det peker i retningen der du vil kjøre, det uavhengig av hvilken stilling resten av kjøretøyet er i. Bare pek på pilen der du vil at kjøretøyet skal gå (varierende trykk på gasspedalen kan endre hvordan baksiden av Crazy Cart Shift følger, som beskrevet nedenfor).



RETNING AV KJØRETØYET

Crazy Cart Shifts ratt kan ikke rotere mer enn 170° i hver retning. Rattet har en «bråstopp»-funksjon når den når snugrensen – den kan ikke gå rundt hele veien, men ved å snu fullt mot en retning eller mot den andre retningen, du kan kjøre Crazy Cart Shift baklengs – og ved å snu nær 90°, kan Crazy Cart Shift kjøre i en sers smal sirkel (pass på så du ikke mister kontroll ved å snu så mye at du blir svimmel).



VIKTIG: Velg alltid et kjøreo område som er rett, jevnt, tørt og fullstendig uten trafikk og hindringer. IKKE KJØR RUNDT BILER!

KJØRETIPS: Å lære når du skal trykke og slippe opp gasspedalen bedrer ferdighetene dine til å spinne, framdriften og til å gjøre triks på en god måte. Den beste måten for å lære seg ferdigheter med Crazy Cart Shift er å prøve det ut i lav hastighet.



ADVARSEL: For stor fart eller lengde av spinning kan føre til at balansen mistes eller tap av kontroll og velt. Ved å holde kroppsdeler og hodet godt inn i midten av Crazy Cart Shift, kan du redusere risiko for å velte, dette fordi ergonomiske krefter kan øke risikoen for å velte om kroppen lener utover og/eller om farten økes for raskt. Løft foten fra gasspedalen dersom spinningen blir for raskt til å kontrollere, ikke prøv å akselerere deg ut av et spinn. Crazy Cart Shift kan akselerere raskere med lettere sjåfører, det er en av grunnene til at minste anbefalte alder er 6 år. Vær sikkerhetsbevisst!

Styresettet i Crazy Cart Shift er en integrert kjøre- og styremekanisme som er likt til det noen kaller for «radiobil»-design. Den har ingen selvrettende hellingsmekanismer eller støttefunksjoner (det betyr at rattstangen går rett opp og ned, slik at hjulet ikke «tilpasser» seg på egenhånd). En slik styringsordning kan i enkelte tilfeller føre til litt skjelving og vibrasjon – dette er normalt. Det er vanligvis resultatet av ukoordinerte eller ugunstige forhold. Dersom du merker at rattet skjelver, kan en retningsendring («kontraststyring») og/eller fartsending hjelpe med å få jevn kontroll.



SPINNING, GLIDING OG STOPPING MED CRAZY CART SHIFT

Crazy Cart Shift blir best bruk med koordinering av styring og gassen. De fleste typer spinn og glidinger som kan gjøre med Crazy Cart Shift blir gjort med forsiktig bruk av akselerasjonskontroll og bevisst manipulering av rattet. Det å lære hvor du bør peke pila på rattet og når du skal tilføre mer eller mindre trykk, er nøkkelen til jevn styring. Jevn kjøring øker også driftstiden mellom landinger. Når du først introduseres til Crazy Cart Shift, anbefales det på det sterkeste at førere er nøye med bruk av gasspedalen og tar seg tid til å bli kjent med effekten av å kombinere kontraststyring og gasspedalbruk for å manipulere Crazy Cart Shift sin spinn og sladding.

Det er ingen egen brems på Crazy Cart Shift, men med øvelse så er det enkelt å stoppe. Logisk nok så vil det å fjerne foten fra gasspedalen sakke vognen ned, dett grunnet friksjon i drivverket. For å stanse Crazy Cart Shift umiddelbart fra å kjøre framover, fjern foten fra gasspedalen og vri rattet 90 grader mot en av sidene. Ved å fjerne foten fra gasspedalen mens du vrir rattet, fører til at Crazy Cart Shift kjører eller glir i en sirkel slikt at farten senkes til den stopper. Ved å vri rattet 90 ° mens du fjerner foten fra gasspedalen, kan kjøringen umiddelbart stoppe framoverrettet bevegelse og styre unna. På denne måten kan Crazy Cart Shift unngå kollisjoner, samt unngå ting som kan komme i veien.

For din egen sikkerhet bør du ta deg tid til å bli kjent og trygg på de forskjellige kombinasjonene ved å ta foten av gasspedalen og vri på rattet for å lære å sakke farten og stoppe mens du opprettholder kontrollen over kjøretøyet. Tren opp disse ferdighetene for maksimalt kjøresikkerhet.

Disse grunnleggende styreøvelsene hjelper kjørerer til å bli kjent med Crazy Cart Shifts bruksområder:

1. Kjør først i sirkel.
2. Gå i de samme sirlkene, varier hvor mye du trykker ned gasspedalen og merk hvordan Crazy Cart Shift reagerer når du øker og reduserer hastigheten mens du svinger. Du bør merke deg at hard akselerasjon i svinger gjør at Crazy Cart Shift trekker ut.
3. Mens du fortsetter i samme sirkelretning, kan du eksperimentere med å forhindre at selve kjøretøyet spinner ut ved å «kontrastyre». For å motvirke styrerretningen for å stoppe Crazy Cart Shift fra å trekke ut, peker du pila på rattet i motsatt retning som Crazy Cart Shift trekker ut i. For eksempel, hvis du vrir hardt mot høyre, kan kjøretøyet spinne ut i klokken retning. Uttrekkingen kan motvirkes ved å dreie rattet litt til venstre og/eller redusere trykket på gasspedalen. Øvelse er den beste måten å mestre denne ferdigheten.
4. Øv deg på å stanse Crazy Cart Shift ved å ta foten av gasspedalen og vri rattet 90 grader mot venstre eller høyre.
5. Øv deg ved å ligge «klistret» i smale sirkler eller spinn.

⚠ ADVARSEL: Merk deg at disse spesialegenskapene for kjøring påvirker hvordan Crazy Cart Shift fungerer, og det krever at du utviser ekstra forsiktighet for å tilegne sikker kjøring og gode kjørevaner. Les og gjennomgå sikkerhetsadvarslene, og vær ekstra forsiktig med Crazy Cart Shift for å unngå trafikk, hindringer og kjøring i nedoverbakker. Dette er ikke en «krasj-eller radiobil». Den er ikke laget for å krasje med eller hoppe med. Den skal kun brukes på underlag som er solid, jevnt, flatt og tørt.

**HVORDAN MAN BETJENER CRAZY CART SHIFT**

Inden du betjener dette spændende produkt, bedes du lære hvordan det bevæger sig. Begynd forsigtigt. Med lidt øvelse kan du gøre dig selv bekendt med disse køreegenskaber og tips, så din oplevelse med Crazy Cart Shift kan give dig optimal underholdning samtidig med at du er i fuld kontrol.

Du skal aldrig dreje strømkontakten hen på positionen **ON(TÆND)** inden du befinder dig i førersædet på din Crazy Cart Shift. Ved at sørge for at du sidder ordentligt placeret inden du drejer kontakten hen på **ON(TÆND)**, risikerer du ikke at miste balancen når du træder på speederen når du skal ind i eller ud af din Crazy Cart Shift. Husk **ALTDI** at dreje strømkontakten hen på positionen **OFF(SLUK)** inden du forlader din Crazy Cart Shift.

VIKTIGE KONTROLFUNKTIONER:**FORÆLDRE KONTROLLERET KONTAKT TIL HØJ/LAV HASTIGHED**

Din Crazy Cart Shift er udstyret med en skjult hastighedskontrollkontakt der muliggør at en voksen diskret kan reducere (eller øge) Crazy Cart Shifts tophastighed. Denne begrænsning er beregnet til at forældre til små børn og de som har brug for mere tid til at lære hvordan Crazy Cart Shift bevæger sig.

Kontakten er skjult inde bag Crazy Cart Shifts batterium, således at føreren ikke kan få adgang uden brug af en unbrakonøgle. Der findes to indstillinger:

- Når kontakten befinder sig i positionen **HØJ**, er tophastigheden på Crazy Cart Shift 13 km/t. Dette er standardindstillingen og anbefales til førere på 8 år og opefter.
- Når kontakten befinder sig i positionen **LAV**, er tophastigheden på Crazy Cart Shift 4 km/t og den anbefalet minimumsalder for føreren er 6 år.

SPEEDER OG RAT

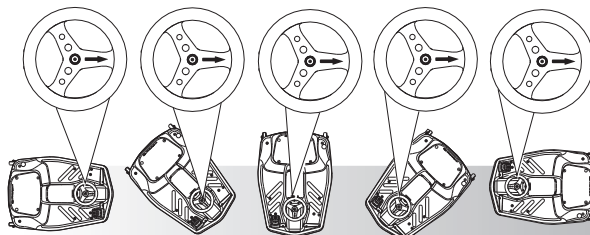
Crazy Cart Shift gør det muligt at lave forskellige former for glidninger, rotationer og sving som ingen almindelig gokart er i stand til. Hvis du har prøvet at køre på en Razor RipStik® eller en Razor RipRider® 360, så tænk på styrehjulene og hvorledes de muliggør hurtige retningsskift; eller hvordan en Razor Ground Force® Drifter™ gokart muliggør bagende glidning ved høj hastighed. Crazy Cart Shift bygger på disse bevægelser og tilføjer endnu flere muligheder i kraft af det roterende forhjulstrukne hjul og de bageste justerbare styrehjul. Det kan være sjovt at øve sig med Crazy Cart Shift og det er vigtigt som med alle andre bevægelige produkter altid at udvise forsigtighed under kørsel.

SPEEDER:

Crazy Cart Shift er udstyret med en fodpedal (speeder) der kontrollerer hastigheden. Den variable speeder muliggør at man kan køre i et interval af hastigheder fra 0-13 km/t i indstillingen **HØJ** og 0-4 km/t i indstillingen **LAV**, afhængig af hvor meget speederen aktiveres.

RAT:

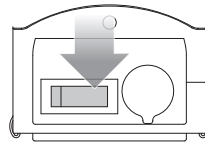
Crazy Cart Shifts rat er anderledes end rattet du kender fra andre køretøjer på flere måder. Det vigtigste du skal huske ifm. Crazy Cart Shifts rat er, at pilen på rattet altid peger i den retning som gokarten skal køre uanset hvordan resten af gokarten vender. Du skal blot lade pile pege i den retning du ønsker at køre (ved at variere trykket på speederen kan du ændre hvordan bagenden på Crazy Cart Shift skal bevæge sig som beskrevet nedenfor).



KØRERETNING

Rattet på din Crazy Cart Shift kan drejes mere end 170° i hver retning. Rattet har en "stopposition" når det er drejet maksimalt til den ene side, det vil således ikke rotere 360° rundt men ved at dreje det helt til den ene eller den anden side, kan du køre baglæns i din Crazy Cart Shift og ved at dreje det 90° kan Crazy Cart Shift bevæge sig i en meget lille cirkel (vær forsigtig for at undgå at miste herredømmet ved at dreje for meget så du bliver svimmel).

Styremekanismen på Crazy Cart Shift minder om den man kender fra en radiobil. Der findes ikke noget selvkorrigerende hjulstyre eller drejelige funktioner (dvs. at ratstammerøret går direkte op og ned så hjulet ikke justeres af sig selv). En sådan styring kan under visse omstændigheder forårsage hjulslinger



VIKTIGT: Du bør altid vælge et sted med en jævn, glat, tør overflade hvor der hverken er trafik eller andre forhindringer. **DU MÅ IKKE KØRE I NÆRHEDED AF KØRETØJER!**

KØRETIP: Når du lærer hvornår du skal give gas og hvornår du skal lade være, forbedrer du din evne til at lave rotationer, glidninger og tricks. Den bedste måde at lære at håndtere Crazy Cart Shift på er ved at udføre de forskellige handlinger ved lav hastighed.



ADVARSEL: Overdreven varighed eller høj hastighed under rotationer kan resultere i at du mister herredømmet og vælter med køretøjet. Ved at holde dine arm og ben inde tæt på centrum af din Crazy Cart Shift, kan du reducere risikoen for at vælte, fordi ergonomiske kræfter øger faren for at vælte hvis kroppen stikker udenfor og/eller rotationshastigheden er for høj. Fjern din fod fra speederen hvis rotationen bliver for hurtig til at du kan kontrollere køretøjet, forsøg aldrig at accelerere dig ud af en rotation. Din Crazy Cart Shift kan rotere hurtigere med en lettere person bag rattet, hvilket er en af grundene til at minimumsalderen er 6 år. Vær opmærksom på sikkerheden!

eller vibration, hvilket er helt normalt. Det er normalt resultatet af en ukoordineret eller omvendt kontroltilstand. Hvis du oplever hjulslinger under kørsel, kan en ændring af retning ("modsat styring") og/eller en ændring af hastigheden hjælpe med at genoprette kontrollen.

ROTATION, GLIDNING OG STANDSNING AF CRAZY CART SHIFT

Den bedste brug af din Crazy Cart Shift opnås, når du omhyggeligt koordinerer styringen af rattet og speederen. De fleste rotationer og glidninger, der kan udføres med din Crazy Cart Shift, udføres med omhyggelig speederbetjening og velovervejet manipulation med rattet. At lære hvor pilen skal pege på rattet og hvornår du skal øge eller sænke hastigheden er nøglen til at udføre tricks på en sikker måde. Glat kørsel forlænger også driftstiden mellem opladninger. Når du første gang gør dig bekendt med Crazy Cart Shift, anbefales det kraftigt at føreren aktiverer speederen forsigtigt og giver sig god tid til at blive fortrolig med en kombination af modsat styring og speederbetjening til at manipulere Crazy Cart Shifts rotationer og glidninger.

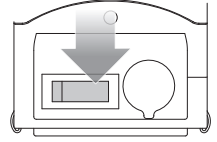
Der findes ingen bremse på din Crazy Cart Shift men med lidt øvelse er det nemt at standse. Når du fjerner foden fra speederen, sænkes hastigheden som et resultat af gnidningsmodstanden på fremdriftssystemet. Hvis du vil standse din Crazy Cart Shift omgående, skal du fjerne foden fra speederen og dreje rattet 90° til den ene side. Når du fjerner foden fra speederen og samtidig drejer rattet, begynder din Crazy Cart Shift at rotere eller glide i en cirkel, og hastigheden reduceres indtil den stopper. Ved at dreje rattet 90° og fjerne din fod fra speederen, vil køretøjet omgående standse sin fremadrettede bevægelse, og i stedet dreje til siden. På denne måde kan du undgå kollisioner og andre forhindringer der måtte komme i vejen med din Crazy Cart Shift.

Af hensyn til din egen sikkerhed, bør du give dig tid til at lære de forskellige kombinationer af aktivering af speeder og drejning på rattet, så du forstår hvordan man sænker hastigheden og stopper samtidig med at bevare herredømmet over køretøjet. Øv dig på disse færdigheder af hensyn til maksimal sikkerhed.

Disse grundlæggende øvelser kan hjælpe med at gøre førere bekendt med deres Crazy Cart Shifts egenskaber:

1. Køør først i en cirkel.
2. Foretag kørsel i de samme cirkler, varier hastigheden og bemærk hvordan Crazy Cart Shift reagerer når du øger eller sænker hastigheden samtidig med at du drejer. Du vil opdage, at når du accelerer meget samtidig med at du drejer resulterer det i at Crazy Cart Shift snurrer rundt.
3. Mens du foretager de samme cirkelmønstre kan du eksperimentere med at forhindre køretøjet i at snurre rundt ved at styre modsat. Modsat styring til at forhindre din Crazy Cart Shift i at snurre rundt opnås ved at pege pilen på rattet i modsat retning som din Crazy Cart Shift drejer. Så for eksempel hvis du forsøger at dreje skarpt til højre, vil køretøjet måske snurre rundt i urets retning. Rotationen kan modvirkes ved at dreje rattet en smule til venstre og/eller mindske trykket på speederen. Det bedste resultat opnås gennem øvelse.
4. Øv dig på at standse din Crazy Cart Shift ved at fjerne din fod fra speederen og dreje rattet 90° enten til venstre eller til højre.
5. Øv dig på skarpe sving eller rotationer.

ADVARSEL: Det er vigtigt at anerkende at disse specielle kørefunktioner påvirker hvordan din Crazy Cart Shift fungerer og kræver ekstra stor forsigtighed og opmærksomhed for at sikre køre- og øveforhold. Læs og gennemgå Sikkerhedsadvarslerne og vær ekstra forsigtig med din Crazy Cart Shift for at undgå trafik, forhindringer og kørsel ned ad skråninger. Det er ikke en "radiobil" og køretøjet er ikke beregnet til at blive udsat for kollisioner, hop eller til brug på andre overflader end hårde, glatte, flade og tørre arealer.



FI

CRAZY CART SHIFTIN KÄYTTÖ

Ennen kun ajat tällä jännittävällä tuotteellamme, opi tuntemaan tapa, jolla se liikkuu. Aloita hitaasti. Tutustu näihin ajovinkeihin huolellisella harjoittelulla, jotta voit pitää hauskaa ajassasi Crazy Cart Shift -tuotteella hallinoidusti.

Älä koskaan käännä virtakytkintä **ON(PÄÄLLE)** ennen kuin istut Crazy Cart Shift -tuotteen kuljettajan istuimella. Kun istut alas ennen virran kytkemistä **ON(PÄÄLLE)**, ei ole olemassa samanlaista tasapainon menetyksen riskiä, kuten kaasupoljinta painettaessa Crazy Cart Shiftiin nousemisen tai siitä poistumisen aikana. Kytke **AINA** virtakytkin **OFF(POIS PÄÄLTÄ)** ennen kuin poistut Crazy Cart Shift -tuotteesta.

TÄRKEITÄ OHJAUKSEEN LIITTYVIÄ OMINAISUUKSIA:

VANHEMPIEN HALLITTAVA HIGH/LOW-NOPEUSKYTKIN

Crazy Cart Shiftissä on piilotettu nopeudenvälintakytkin, jonka avulla vanhemmat voivat vähentää (tai nostaa) Crazy Cart Shiftin huippunopeutta. Tämä rajoitin on tarkoitettu nuorempien lasten vanhemmille ja niille, jotka tarvitsevat lisää harjoitteluaikaa oppiakseen tuntemaan miten Crazy Cart Shift liikkuu.

Kytkin on piilotettu Crazy Cart Shiftin akkukoteloon siten, että kuljettajat eivät pääse siihen käksi ilman kuusiokoloavainta. Kytkimessä on kaksi asetusta:

- Kun kytkin on HIGH-asennossa, Crazy Cart Shiftin huippunopeus on 13 km/h. Tämä on oletusasetus ja sitä suositellaan vähintään 8-vuotiaille käyttäjille.
- Kun kytkin on LOW-asennossa, Crazy Cart Shiftin huippunopeus on 4 km/h ja käyttäjien suositeltu vähimmäisikä on 6 vuotta.

KAASUPOLJIN JA OHJAUSPYÖRÄ

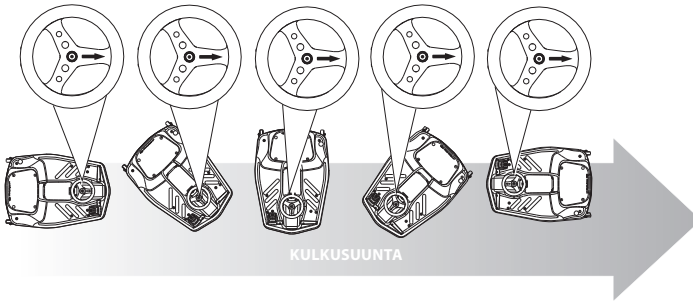
Crazy Cart Shift mahdollistaa todella luovan drifauksen, pyörimisen ja kääntymisen, joita tavallisilla mikroautoilla ei voi tehdä. Jos olet ajanut Razor RipStikillä® tai Razor RipRider® 360:lla, ajattelle niiden pyöriä ja miten ne mahdollistavat nopean suunnanmuutoksen, tai miten Razor Ground Force® Drifter™ -mikroautolla takaosan driftaus on mahdollista täydellä nopeudella. Crazy Cart Shift perustuu näihin liikkeisiin ja sillä voidaan kääntyä vielä tiukemmin täysin pyörivän etupyörän ja takapyörän säädettävän kulman ansiosta. Kun käytät Crazy Cart Shift -tuotetta, saatat kokea jotain hämmästyttävää hauskaa. On tärkeää, että noudatat ajaessa varovaisuutta samalla tavalla kuin kaikkien liikkuvien tuotteiden kanssa.

KAASUPOLJIN:

Crazy Cart Shift -tuotteen nopeutta hallitaan kaasupolkimella. Tämän nopeuden kiihdyttimen avulla voidaan ajaa nopeuksilla 0–13 km/h HIGH-asetuksella ja 0–4 km/h LOW-asetuksella riippuen siitä, kuinka paljon sitä painetaan.

OHJAUSPYÖRÄ:

Crazy Cart Shift -tuotteen ohjauspyörä poikkeaa tavallisen auton tai mikroauton ohjauspyörästä usealla tavalla. Crazy Cart Shift -tuotteen ohjauspyörästä on tärkeintä muistaa, että, että sen nuoli osoittaa suuntaan, johon Crazy Cart Shift -tuotteella ajetaan, riippumatta siitä miten tuote on suuntautunut muuten. Sinun tarvitsee vain osoittaa nuoli suuntaan, johon haluat ajoneuvon kulkevan (driftaustangolla voit ohjata miten Crazy Cart Shift -tuotteen takaosa seuraa perässä seuraavassa kuvattulla tavalla).



Crazy Cart Shift -tuotteen ohjauspyörä kääntyy 170° kumpaankin suuntaan. Ohjauspyörän liike pysähtyy äkisti, kun se on saavuttanut ääriasennon - se ei käännä jatkuvasti ympäryä, mutta kääntämällä sen täysin yhteen suuntaan tai kokonaan toiseen suuntaan voit ajaa Crazy Cart Shift -tuotetta taaksepäin - ja kääntämällä noin 90° Crazy Cart Shift kulkee hyvin tiukassa ympyrässä (varo ettei menetä hallintaa kääntämällä niin paljon koska käännökset voivat aiheuttaa huihuausta).

Crazy Cart Shift -tuotteen integroidun ajo- ja ohjausmekanismin ohjauskokoonpano on ns. "ostoskärry"-luokkaa. Sillä ei ole itsekorjaavaa kallistus- tai rullaominaisuuksia (ohjausputki menee suoraan ylös ja alas niin että pyörä ei "kohdistu" itsestään). Tällainen ohjaus voi tietyissä olosuhteissa, vipottaa tai väristä vähän - tämä on normaalia. Yleensä tämä on seurausta kömpelöstä tai huonosta ohjaustilasta. Jos

TÄRKEÄÄ: Valitse aina ajoalue, joka on tasainen, sileä, kuiva ja täysin vapaa liikenteestä ja esteistä. **ÄLÄ AJA AJONEUVOJEN LÄHELLÄ!**

AJOVINKKI: Vot pyörähtää, driftata ja tehdä temppejuja, kun opit koska kaasupoljinta pitää painaa ja koska se pitää vapauttaa. Crazy Cart Shift -tuotteella ajon oppii parhaiten alhaisilla nopeuksilla.

VAROITUS: Liian pitkä tai nopea pyörähdys voi johtaa tasapainon ja hallinnan menetykseen ja kaatumiseen. Raajojen ja pään pitäminen Crazy Cart Shift -tuotteen keskellä voi vähentää kaatumisriskiä koska ergonomiset voimat voivat lisätä kaatumisriskiä, jos keho on liikaa ulkona ja / tai pyörimisnopeus kiihtyy liian paljon. Ota jalka pois kaasupolkimelta, jos pyöriminen on liian nopeaa ohjattavaksi, älä yritä kiihdyttää pyöräytyksestä pois. Crazy Cart Shift voi kiihtyä nopeammin, kun sen kuljettaja on kevyt. Tästä syystä tuotteen suositeltu käyttöikä on 6 vuotta. Pidä huolta turvallisuudesta!

ohjauksessa on vipotusta, suunnan muuttaminen ("vastaohjaus") ja/tai nopeuden vaihtaminen auttaa palauttamaan tasaisen ohjauksen..

CRAZY CART SHIFT -TUOTTEEN PYÖRIMINEN, DRIFTAUS JA PYSÄYTTÄMINEN

Crazy Cart Shift -tuotteen parhaisiin ominaisuuksiin kuuluu tarkka ohjaus, driftaustanko ja kaasupoljin. Suurin osa Crazy Cart Shift -tuotteella suoritettavista pyöräytyksistä ja driftauksista tehdään huolellisella kiihdytyksellä. Sujuvan hallinnan vinkkien olennainen osa on oppia osoittamaan ohjauspyörän nuoli oikeaan suuntaan sekä oppia huomaamaan, milloin voimaa täytyy lisätä tai vähentää. Sujuva ajaminen lisää myös latausten välistä ajoaikaa. Kun opettelet tuntemaan Crazy Cart Shift -tuotetta, on erittäin suositeltavaa käyttää kaasupoljinta varovaisesti ja tutustua perusteellisesti ohjauksen ja kaasupolkimen hallintaan Crazy Cart Shift -tuotteen pyöräytysten ja liikkeiden ohjaamiseksi.

Crazy Cart Shift -tuotteessa ei ole erillisiä jarruja, mutta käytännössä se on helppo pysäyttää. Tietenkin poistamalla jalan pois kaasulta auto hidastuu voimansiirron kitkan seurauksena. Crazy Cart Shift -tuotteen liike eteenpäin voidaan pysäyttää heti nostamalla jalka pois kaasupolkimelta ja kääntämällä ohjauspyörää 90 astetta jommallekummalle puolelle. Crazy Cart Shift -tuotetta voidaan pyöräyttää tai driftata ympyrässä ja pysäyttää nostamalla jalan kaasupolkimelta ja kääntämällä ohjauspyörää. Kääntämällä ohjauspyörää 90° ja nostamalla jalan pois kaasupolkimelta ajaja voi pysäyttää eteenpäin kulkevan auton ja kääntyä pois päin. Näin Crazy Cart Shift voi välttää törmäyksiä ja kiertää sen tiellä olevia kohteita.

Oman turvallisuuden kannalta on suositeltavaa tutustua kaasun, ohjauksen ja kaasupolkimen eri ominaisuuksiin ja oppia hidastamaan sekä pysähtymään käyttämällä ohjaustankoa alhaisella nopeudella. Harjoittele näitä taitoja parasta turvallisuutta varten.

Nämä perusohjausohjeitukset voivat auttaa ajajia tutustumaan Crazy Cart Shift -tuotteen ominaisuuksiin:

1. Ohjaa ensin ympyrässä.
2. Tee samat ympyrät, vaihtelee kaasupolkimen löysyttämistä ja huomaa, kuinka Crazy Cart Shift reagoi nopeuden kasvattamiseen ja hidastamiseen sitä käännettäessä. Huomaat varmasti, että voimakas kiihdytys Crazy Cart Shift -tuotetta käännettäessä saa sen pyörimään.
3. Jatka samojen ympyröiden tekemistä. Estä ajoneuvon rungon pyöriminen. Suorita vastaohjaus Crazy Cart Shift -tuotteen pysäyttämiseksi, niin että se ei pyöri pois reitiltä. Tämä onnistuu suuntaamalla ohjauspyörän nuoli vastakkaiseen suuntaan kuin Crazy Cart Shift on pyörimässä. Joten jos esimerkiksi olet kääntämässä voimakkaasti oikealle, ajoneuvo saattaa pyöriä myötäpäivään. Pyöriminen voidaan pysäyttää kääntämällä ohjauspyörää vähän vasemmalle ja/tai löysäämällä kaasupoljinta. Harjoitus on paras tapa oppia nämä taidot.
4. Harjoittele Crazy Cart Shift -tuotteen pysäyttämistä nostamalla jalka kaasupolkimelta ja kääntämällä ohjauspyörää 90° vasemmalle tai oikealle.
5. Harjoittele pysymällä "sisällä" tiukoissa käännöksissä tai pyöriessä.

VAROITUS: Huomaa, että nämä erityisajo-ominaisuudet vaikuttavat siihen kuinka Crazy Cart Shift toimii ja ne edellyttävät erityistä varovaisuutta ja huomiota turvallisia ajo-olosuhteita ja käytäntöjä varten. Lue sivujen 1 ja 2 turvavaroitukset ja ole erityisen varovainen Crazy Cart Shift -tuotteen kanssa välttääksesi liikennettä, esteitä ja alamäkiä. Tämä ei ole "törmäilyauto", eikä sitä ole suunniteltu yhteen törmäyksiä tai hyppyjä varten eikä käytettäväksi muilla kuin karkaistuilla, sileillä, tasaisilla ja kuivilla pinnoilla.

RO

**MODUL DE UTILIZARE A PRODUSULUI CRAZY CART SHIFT**

Înainte de a utiliza acest produs incitant, accordați timpul necesar învățării modului de mișcare a acestuia. Porniți încet. Exersând și utilizând produsul cu grijă, familiarizați-vă cu aceste sfaturi de utilizare, astfel încât experiența dumneavoastră cu Crazy Cart Shift să vă permită să duceți distracția la maximum, menținând în același timp controlul.

Niciodată nu mutați întrerupătorul pornit/oprit în poziția **ON(ACTIVAT)** înainte de a vă așeza în scaunul șoferului de pe Crazy Cart Shift. Așezându-vă în siguranță înainte de a activa alimentarea **ON(ACTIVAT)**, evitați riscul dezechilibrării prin apăsarea accidentală a pedalei de accelerație în timp ce vă ridicați în picioare și urcați (sau coborâți) din Crazy Cart Shift. Înainte de ieșirea din Crazy Cart Shift, **TRECETI** întotdeauna întrerupătorul de alimentare ON/OFF în poziția **OFF(DEZACTIVAT)**.

CARACTERISTICI IMPORTANTE DE CONTROL:**COMUTATOR DE VITEZĂ MARE/MICĂ, CONTROLAT DE PĂRINTE**

Produsul Crazy Cart Shift este prevăzut cu un comutator ascuns de control al vitezei care le permite părinților să micșoreze (sau să mărească) discret viteza maximă a Crazy Cart Shift. Acest limitator este destinat părinților copiilor de vârstă mici și aceluia care trebuie să exerseze mai mult pentru a învăța cum se deplasează Crazy Cart Shift.

Comutatorul a fost ascuns în interiorul compartimentului pentru bateria al Crazy Cart Shift, așa încât utilizatorul să nu aibă acces la acesta dacă nu folosește o cheie Allen. Există două setări:

- Când comutatorul este în poziția MARE, Crazy Cart Shift are o viteză maximă de 13 km/h. Aceasta este setarea implicită și este recomandată copiilor cu vârsta minimă de 8 ani.
- Când comutatorul este în poziția MICĂ, viteza maximă a Crazy Cart Shift este limitată la 4 km/h, iar vârsta minimă a utilizatorului este de 6 ani.

PEDALA DE ACCELERAȚIE ȘI VOLANUL

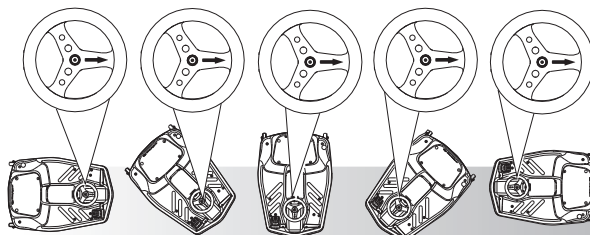
Produsul Crazy Cart Shift permite derapări, rotații și întoarceri cu adevărat creative pe care un go-kart obișnuit nu le poate efectua. Dacă ați utilizat un Razor RipStik® sau un Razor RipRider® 360, gândiți-vă la acele roți pivotante și la modul în care acestea permit schimbări rapide de direcție; sau la modul în care un go-kart Razor Ground Force® Drifter™ permite deraparea spatelui la viteză maximă. Produsul Crazy Cart Shift se bazează pe aceste mișcări și adaugă posibilități de întoarcere și mai strânse prin intermediul motorului central care se poate roti complet și al roților pivotante din spate. Exersarea condusului produsului Crazy Cart Shift poate conduce la distracții uimitoare și este important, ca și în cazul tuturor produselor aflate în mișcare, să se procedeze întotdeauna cu atenție în timpul deplasării.

PEDALA DE ACCELERAȚIE:

Produsul Crazy Cart Shift este echipat cu o pedală de accelerație care controlează viteza dispozitivului. Acest accelerator de viteză variabilă permite conducerea cartului în intervalul de viteză de la 0 la 13 KM/H în setarea MARE și de la 0 la 4 KM/H în setarea MICĂ, în funcție de cât este de apăsat.

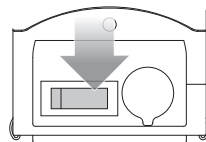
VOLANUL:

Volanul produsului Crazy Cart Shift este diferit de cel al unui automobil sau al unui go-kart obișnuit din mai multe puncte de vedere. Cel mai important lucru de reținut despre volanul produsului Crazy Cart Shift este că săgeata de pe acesta indică în direcția în care dispozitivul urmează să se deplaseze, indiferent de orientarea restului construcției. Îndreptați pur și simplu săgeata în direcția în care doriți să se deplaseze produsul (modificarea presiunii asupra pedalei de accelerație poate modifica modul în care Crazy Cart Shift urmează mișcarea, așa cum se descrie mai jos).



DIRECȚIA DE DEPLASARE

Volanul produsului Crazy Cart Shift se poate roti mai mult de 170° în fiecare direcție. Volanul are o „oprire bruscă” la atingerea limitei de rotire – acesta nu se rotește în întregime, însă rotindu-l complet într-o direcție sau complet în cealaltă direcție, puteți determina deplasarea spre înapoi a produsului Crazy Cart Shift, iar rotindu-l la 90° sau la un unghi strâns, Crazy Cart Shift se va deplasa într-un cerc foarte strâns (aveți grijă să nu pierdeți controlul, rotindu-vă atât de mult încât să amețiți).



IMPORTANT: Alegeți întotdeauna o zonă de utilizare fără denivelări, plană, uscată, fără trafic sau obstacole. **NU UTILIZAȚI PRODUSUL ÎN APROPIEREA VEHICULELOR!**

SFAT PENTRU UTILIZARE:

Învățând când să apăsați și să eliberați pedala de accelerație, vă veți îmbunătăți îndemânarea de a efectua cu ușurință rotații, derapări și trucuri. Cea mai bună metodă de a învăța capacitățile produsului Crazy Cart Shift este să încercați mișcările la viteză redusă.



AVERTISMENT: Durata sau viteza excesivă a rotațiilor poate duce la pierderea echilibrului, pierderea controlului și la răsturnare. Ținându-vă membrele și capul cât mai aproape de centrul dispozitivului Crazy Cart Shift, puteți reduce riscul răsturnării, întrucât forțele ergonomice pot spori riscul răsturnării dacă corpul atârâ în afară și/sau viteza de rotire crește prea mult. Luați-vă piciorul de pe pedala de accelerație dacă rotirea devine prea rapidă pentru a fi controlată, nu încercați să accelerați spre exterior dintr-o rotire. Produsul Crazy Cart Shift poate accelera mai rapid când este condus de un utilizator mai ușor, acesta fiind unul dintre motivele pentru care vârsta minimă recomandată este de 6 ani. Gândiți-vă la siguranță!

Configurația de direcție a mecanismului integrat de acționare și direcționare de pe Crazy Cart Shift este similară cu ceea ce ar putea fi denumit design de „mașină cu tampoane”. Nu are caracteristici de auto-corectare a rotirii sau pivotării (însemnând că tubul de direcționare este montat direct de sus în jos, iar roata nu se „aliniază” singură). Un asemenea sistem de direcție poate, în anumite circumstanțe, să oscileze sau să vibreze ușor – este un lucru normal. În general, este rezultatul unor condiții de control neordonate sau contrare. Dacă simțiți oscilații pe volan, o schimbare de direcție („virare inversă”) și/sau o modificare a vitezei poate ajuta la redobândirea controlului lipsit de probleme.

ROTIREA, DERAPAREA ȘI OPRIREA CU PRODUSUL CRAZY CART SHIFT

Cea mai bună utilizare a produsului Crazy Cart Shift implică coordonarea atentă a volanului și a pedalei de accelerație. Majoritatea rotirilor și derapajelor care se pot face cu dispozitivul Crazy Cart Shift se realizează cu controlul atent al pedalei de accelerație și cu manevrarea deliberată a volanului. Elementele foarte importante pentru ținerea lină sub control a manevrelor complicate sunt învățarea locului către care să indice săgeata de pe volan și când să se crească sau reducă puterea. Utilizarea atentă crește, de asemenea, timpul de funcționare dintre încărcări. La prima orientare cu Crazy Cart Shift, se recomandă cu putere ca persoanele care folosesc produsul să aplice cu grijă pedala de accelerație și să se familiarizeze cu rezultatele combinării virării inverse și ale controlului pedalei de accelerație pentru a manevra rotirile și derapajele produsului Crazy Cart Shift.

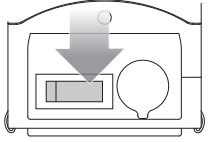
Produsul Crazy Cart Shift nu este prevăzut cu frână separată, însă, dobândind experiență, va fi ușor să vă opriți. Bineînțeles, ridicarea piciorului de pe pedala de accelerație va încetini dispozitivul, ca rezultat al fricțiunii din sistemul de acționare. Pentru a opri imediat mișcarea spre înainte a dispozitivului Crazy Cart Shift, luați-vă piciorul de pe pedala de accelerație și rotiți volanul la 90° în oricare direcție. Ridicarea piciorului de pe pedala de accelerație și rotirea volanului vor determina rotirea sau deraparea dispozitivului Crazy Cart Shift în cerc și încetinirea acestuia până la oprire. Rotind volanul la 90° și ridicând piciorul de pe pedala de accelerație, utilizatorul poate întrerupe imediat mișcarea spre înainte și poate în schimb să vireze în altă direcție. Astfel, dispozitivul Crazy Cart Shift poate evita coliziunile și poateocoli obiectele care se află în calea sa.

Pentru siguranța dumneavoastră, acordați timpul necesar pentru a vă familiariza și a vă obișnui cu diferitele variante ale aplicării accelerației, rotirii volanului pentru a învăța cum să încetiniți și să opriți în timp ce țineți sub control cartul. Exersați aceste aptitudini pentru o siguranță maximă a utilizatorului.

Aceste exerciții de bază privind manevrarea pot ajuta utilizatorii să se familiarizeze cu capacitățile dispozitivului Crazy Cart Shift:

1. Prima dată virări în cerc.
2. Realizați aceleași curcuri, apăsați variabil pedala de accelerație și observați cum reacționează produsul Crazy Cart Shift pe măsură ce creșteți și reduceți viteza în timp ce virări. Ar trebui să observați că accelerarea puternică în timpul virajelor are ca rezultat rotirea pe loc a produsului Crazy Cart Shift.
3. Realizând în continuare aceleași curcuri, experimentați în timp ce nu lăsați caroseria cartului să se rotească prin „virare inversă”. Virarea inversă pentru a împiedica produsul Crazy Cart Shift să se rotească se obține prin indicarea săgeții de pe volan în direcție opusă față de cea în care se rotește produsul Crazy Cart Shift. Așadar, de exemplu, dacă vă răsuciți cu putere spre dreapta, cartul s-ar putea roti în sensul acelor de ceasornic. Această rotire poate fi contracarată prin răsucirea ușoară a volanului spre stânga și/sau reducerea presiunii de pe pedala de accelerație. Exersarea este cea mai bună metodă pentru a stăpâni această abilitate.
4. Exersarea pentru a opri imediat mișcarea spre înainte a dispozitivului Crazy Cart Shift se face luându-vă piciorul de pe pedala de accelerație și rotind volanul la 90° în oricare direcție.
5. Exersați menținerea întoarcerilor sau rotirilor strânse.

! AVERTISMENT: Luați la cunoștință că aceste caracteristici specializate de deplasare afectează modul de funcționare al dispozitivului Crazy Cart Shift și că ele necesită precauție și atenție sporită pentru a asigura condiții de utilizare și exersare sigure. Citiți și revizuiți Avertismentele privind siguranța și acordați atenție deosebită utilizării dispozitivului Crazy Cart Shift pentru a evita traficul, obstacolele și la coborârea pe pante. Acesta nu este o „mașină cu tampoane” și nu este conceput să fie implicat în coliziuni, salturi sau să fie utilizat pe alte suprafețe decât zonele întărite, fără denivelări, plane și uscate.



DÔLEŽITÉ: Na jazdenie si vždy zvolte plochu, ktorá je rovná, hladká, suchá a s úplným vylúčením dopravy alebo prekážok. NEJAZDITE OKOLO ÁUT!

TIP NA JAZDENIE: Ak sa naučíte, kedy máte stlačiť a kedy máte uvoľniť pedál akcelerátora, zvýšite tak svoju schopnosť plynulo realizovať otočky, driftovanie a iné kúsky. Najlepším spôsobom naučiť sa, čo autíčko Crazy Cart Shift dokáže, je skúšanie pri nízkej rýchlosti.

! VÝSTRAHA: Nadmerné trvanie alebo rýchlosti pri otáčaní môžu viesť ku strate rovnováhy, strate kontroly a k prevrhnutiu. Držanie končatin a hlavy blízko ku stredu autíčka Crazy Cart Shift môže znížiť riziká prevrhnutia, pretože ak telo spočíva mimo stredu a/alebo ak sa rýchlosť pri otáčaní veľmi zvyšuje, ergonomické sily môžu zvýšiť riziko prevrhnutia. Ak sa otáčanie zvýši tak, že ho nedokážete ovládať, snímte nohu z pedála akcelerátora; nepokúšajte sa otáčanie zastaviť zvýšením rýchlosti. Crazy Cart Shift môže zrýchliť rýchlejšie, ak v ňom sedí ľahší jazdec, čo je jedným z dôvodov, prečo je minimálny odporúčaný vek 6 rokov. Buďte si vedomí bezpečnosti!

SK

SPÔSOB OBSLUHY AUTÍČKA CRAZY CART SHIFT

Pred jazdou na tomto vzrušujúcom výrobku si nájdite čas a naučte sa, ako sa pohybuje. Naštartujte pomaly. Praxou a pozornosťou sa musíte oboznámiť s týmito radami a tipmi na jazdenie tak, aby vám vaše skúsenosti s autíčkom Crazy Cart Shift umožnili maximalizovať zážabu pri zachovaní kontroly.

Nikdy hlavný vypínač ON/OFF neprepínajte do polohy **ON(ZAP.)** skôr, než si sadnete na sedadlo vodiča autíčka Crazy Cart Shift. Keď sa usadíte pred prepnutím hlavného vypínača do polohy **ON(ZAP.)**, nebudete riskovať stratu rovnováhy, ktorú by ste stratili stlačením pedála akcelerátora stojac pri nastupovaní do (alebo vystupovaní z) autíčka Crazy Cart Shift. Pred opustením autíčka Crazy Cart Shift **VŽDY** hlavný vypínač ON/OFF prepnite do polohy **OFF(VYP.)**.

DÔLEŽITÉ FUNKCIE OVLÁDANIA:

RODIČOM OVLÁDANÝ PREPÍNAČ VYSOKEJ/NÍZKEJ RÝCHLOSTI

Autíčko Crazy Cart Shift je vybavené skrytým prepínačom ovládania rýchlosti, ktorý rodičom umožňuje diskretné znížiť (alebo zvýšiť) maximálnu rýchlosť autíčka Crazy Cart Shift. Tento obmedzovač je určený pre rodičov menších detí a detí, ktoré vyžadujú viac praxe, aby sa naučili, ako sa autíčko Crazy Cart Shift pohybuje.

Tento prepínač je ukrytý v priehradke na batériu autíčka Crazy Cart Shift a vodič sa k nemu bez imbusového kľúča nedostane. K dispozícii sú dve nastavenia:

- Ak bude prepínač v polohe pre vysokú rýchlosť (HIGH), maximálna rýchlosť autíčka Crazy Cart Shift bude 13 km/h. Ide o predvolené nastavenie odporúčané pre jazdcov vo veku 8 a viac rokov.
- Ak bude prepínač v polohe pre nízku rýchlosť (LOW), maximálna rýchlosť autíčka Crazy Cart Shift bude obmedzená na 4 km/h a odporúčaný minimálny vek jazdca je 6 rokov.

PEDÁL AKCELERÁTORA A VOLANT

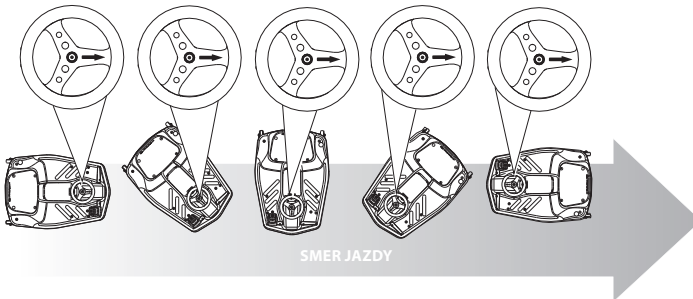
Autíčko Crazy Cart Shift umožňuje skutočne kreatívne driftovanie, otáčanie a zatačanie, ktoré obyčajná motokára nedokáže. Ak ste jazdili na výrobkoch Razor RipStik® alebo Razor RipRider® 360, popremýšľajte o týchto kolieskach, akým spôsobom umožňujú rýchlu zmenu smeru; môžete popremýšľať aj o tom, ako motokára Razor Ground Force® Drifter™ umožňuje driftovanie zadnou časťou pri plnej rýchlosti. Autíčko Crazy Cart Shift využíva tieto pohyby a doplní ich o možnosti ešte ostrejšieho zatačania pomocou plne rotačného predného hnacieho kolesa a zadných koliesok. Praktizovanie jazdy na autíčku Crazy Cart Shift môže viesť k vynikajúcej zábeve a pri jazde je dôležité vždy dávať pozor rovnako, ak v prípade všetkých pohyblivých výrobkov.

PEDÁL AKCELERÁTORA:

Autíčko Crazy Cart Shift je vybavené nožným pedálom akcelerátora, ktorý reguluje rýchlosť autíčka. Tento akcelerátor na dosiahnutie rôznych rýchlostí umožňuje jazdiť autíčkom rôznymi rýchlosťami v rozsahu 0 až 13 km/h pri nastavení vysokej rýchlosti (HIGH) a 0 až 4 km/h pri nastavení nízkej rýchlosti (LOW) v závislosti od intenzity stlačenia pedála.

VOLANT:

Volant autíčka Crazy Cart Shift sa značne odlišuje od volantu bežného auta alebo motokáry. Najdôležitejšia vec, ktorú je v prípade volantu autíčka Crazy Cart Shift potrebné si zapamätať je, že šípka na volante ukazuje smer, akým autíčko pôjde bez ohľadu na to, ako je orientované. Jednoducho nasmerujte šípku na požadovaný smer jazdy autíčka (rôznym tlakom na pedál akcelerátora môžete zmeniť, ako sa bude pohybovať zadná časť autíčka Crazy Cart Shift; pozrite si dolu uvedený opis).



Volant autíčka Crazy Cart Shift možno do každého smeru otočiť o viac než 170°. Volant je vybavený funkciou „nutného zastavenia“, ak dosiahne limitnú hodnotu svojho otáčania – nemôže sa otáčať dookola, ale úplným otočením do jedného smeru alebo úplným otočením do druhého smeru môžete autíčkom Crazy Cart Shift jazdiť dozadu – a otočením o alebo takmer o 90° môžete výrobkom Crazy Cart Shift jazdiť vo veľmi malom kruhu (dávajte pozor, aby ste prílišným zatačaním nestratili kontrolu, pretože riziko je veľmi vysoké).



Konfigurácia riadenia integrovaného mechanizmu pohonu a riadenia autíčka Crazy Cart Shift sa podobá (ako ho niektorí nazývajú) dizajnu „autíčka z autodrómu“. Neobsahuje funkciu automatickej korekcie sklonu alebo nastavenia (znamená to, že rúrka riadenia smeruje zvislo nahor alebo nadol a volant sa automaticky „nevyravná“). V prípade takéhoto riadenia môže za určitých okolností dochádzať ku slabému kmitaniu alebo vibrovaniu – je to normálne. Zvyčajne ide o výsledok stavu nekoordinovaného alebo zlého ovládania. Ak pri riadení pociťujete kmitanie, zmena smeru („otáčanie volantu opačným smerom“) a/alebo zmena rýchlosti pomôžu vrátiť sa k plynulému ovládaniu.

OTÁČANIE, DRIFTOVANIE A ZASTAVENIE AUTÍČKA CRAZY CART SHIFT

Najlepším spôsobom používania autíčka Crazy Cart Shift je pozorná koordinácia riadenia a akcelerátora. Väčšina otáčaní a driftov, ktoré možno vykonávať v režime Crazy Cart Shift, je doplnená pozorným ovládaním akcelerátora a rozvážnou manipuláciou s volantom. Naučenie sa, kam nasmerovať šípku na volante a kedy pridať alebo znížiť výkon, sú kľúčmi na bezproblémovú kontrolu pri stváraní kúskov. Plynulá jazda taktiež predlžuje čas jazdy medzi jednotlivými nabitiami. Pri prvom oboznámení sa s autíčkom Crazy Cart Shift dôrazne odporúčame, aby jazdci opatrne používali akcelerátor a venovali čas oboznámeniu sa s výsledkami pri kombinovaní ovládania pomocou otáčania volantu opačným smerom z pedála akcelerátora na manipuláciu s autíčkom Crazy Cart Shift v zatáčkach a pri driftovani.

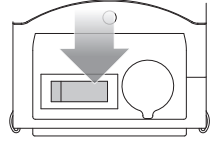
Autíčko Crazy Cart Shift nie je vybavené samostatnou brzdou, ale po získaní praxe je zastavenie jednoduché. Samozrejme, zložením nohy z pedála akcelerátora sa autíčko spomalí v dôsledku trenia hnacej zostavy. Ak chcete pohyb autíčka Crazy Cart Shift dopredu zastaviť okamžite, zložte svoju nohu z pedála akcelerátora a volantom otočte o 90° do ktorejkoľvek strany. Zložením nohy z pedála akcelerátora a otočením volantu dôjde k otáčaniu a driftovaniu autíčka Crazy Cart Shift v kruhu a k spomaleniu až do zastavenia. Otočením volantu o 90° a zložením nohy z pedála akcelerátora môže jazdec okamžite zablokovať pohyb dopredu a namiesto toho odbočí. Týmto spôsobom sa autíčko Crazy Cart Shift môže vyhnúť zrážkam a predmetmi na jeho trase.

Kvôli vlastnej bezpečnosti si vyhradte čas na oboznámenie sa s rôznymi kombináciami stláčania pedála akcelerátora a otáčania volantu a naučte sa spôsob spomalenia a zastavenia pri zachovaní kontroly na autíčkom. Tieto zručnosti praktizujte na dosiahnutie maximálnej bezpečnosti jazdca.

Tieto základné cvičenia riadenia môžu jazdcom pomôcť oboznámiť sa s funkciami autíčka Crazy Cart Shift:

1. Najprv volantom otáčajte v kruhu.
2. Robte rôzne kruhy, meňte ich podľa stláčania pedála akcelerátora a všimnite si, ako autíčko Crazy Cart Shift reaguje pri zvyšovaní a znižovaní rýchlosti počas otáčania. Mali by ste si všimnúť, že vysoké zrýchlenie počas otáčania vedie k otáčaniu autíčka Crazy Cart Shift.
3. Pri robení rovnakých kruhov vyskúšajte zastavenie otáčania autíčka Crazy Cart Shift otáčaním volantu opačným smerom. Otáčanie volantu opačným smerom na zastavenie autíčka Crazy Cart Shift sa dosiahne nasmerovaním šípky na volante do opačného smeru ako sa autíčko Crazy Cart Shift otáča. Preto napríklad, ak otáčate silno doprava, autíčko sa môže roztočiť v smere pohybu hodinových ručičiek. Toto otáčanie možno vyvážiť slabým otočením volantu doľava a/alebo znížením tlaku na pedál akcelerátora. Praktizovanie je najlepší spôsob na zvládnutie tejto zručnosti.
4. Praktizujte zastavenie autíčka Crazy Cart Shift zložením nohy z pedála akcelerátora a otočením volantu o 90° doľava alebo doprava.
5. Vyskúšajte si „ohýbanie tela“ v ostrých zatáčkach a pri otáčaní.

! VÝSTRAHA: Všimnite si, že tieto špeciálne funkcie jazdenia vplyvajú na to, ako autíčko Crazy Cart Shift funguje, a vyžadujú zvýšenú pozornosť a dôraz na bezpečné podmienky a spôsoby jazdy. Prečítajte a pozrite si Bezpečnostné výstrahy a zvýšenú pozornosť pri jazde na autíčku Crazy Cart Shift dávajte pri vyhýbaní sa doprave, prekážkam a pri jazde dolu svahom. Nejde o „autíčko z autodrómu“ a nie je navrhnuté tak, aby sa mohlo stať súčasťou zrážok, aktivít zahŕňajúcich skákanie, ani nie je navrhnuté na používanie na iných než spevnených, hladkých, rovných a suchých povrchoch.



CS

OVLÁDÁNÍ VOZÍTKA CRAZY CART SHIFT

Nejprve si zjistěte, jakým způsobem se tento úžasný výrobek pohybuje, než ho začnete používat. Rozjízďte se pomalu. Je nutné se velice důkladně seznámit s radami a tipy pro řízení vozítka, aby vám vaše zkušenosti s vozítkem umožnily maximální zábavu a zároveň snadné řízení.

Přepínač ON/OFF nikdy nezapínáte do polohy **ON(ZAP)** dříve, než se usadíte v sedadle vozítka. Pokud se do vozítka usadíte ještě před zapnutím do polohy **ON(ZAP)**, nebudete hrozit riziko ztráty rovnováhy sešlápnutím plynového pedálu ve stoje při nastupování (nebo vystupování) do vozítka (nebo z něj). Před vystoupením z vozítka **VŽDY** tlačítko ON/OFF vypněte do polohy **OFF(VYP)**.

DŮLEŽITÉ OVLÁDACÍ PRVKY:

PŘEPÍNAČ K PŘEDNASTAVENÍ RYCHLOSTI DOZOREM

Váš driftovací stroj Crazy Cart Shift je vybaven skrytým přepínačem rychlosti, který rodičům umožňuje nenápadně snížit (nebo zvýšit) maximální rychlost u tohoto modelu. Tento omezovač rychlosti je určen rodičům mladších dětí a dále začátečnickům, kteří potřebují více času k nacvičení jízdy a seznámení se se způsobem ovládání driftovacího stroje Crazy Cart Shift.

Přepínač je ukryt uvnitř prostoru pro baterii modelu Crazy Cart Shift, takže jezdec k němu nemá bez imbusové klíče přístup. K dispozici jsou dvě nastavení:

- Je-li přepínač v poloze HIGH (VYSOKÁ), Crazy Cart Shift má maximální rychlost 13 km/h. Jedná se o výchozí nastavení, které se doporučuje pro jezdce ve věku nejméně 8 let.
- Je-li spínač v poloze LOW (NÍZKÁ), maximální rychlost modelu Crazy Cart Shift je omezena na 4 km/h a doporučený věk jezdce je minimálně 6 let.

PEDÁL AKCELERÁTORU A VOLANT

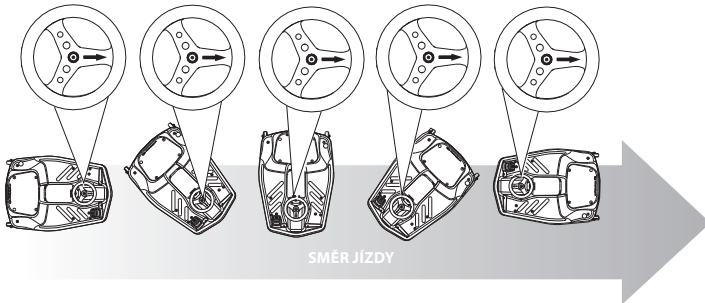
Vozítko Crazy Cart Shift umožňuje kreativnější driftы, otáčky a zatáčení než obyčejné motokáry a vozítka. Pokud jste už někdy řídili vozítko Razor RipStik® nebo Razor RipRider® 360, vzpomeňte si na jejich samostavná kola a jak umožňují rychlé změny směru; nebo jak vozítko Razor Ground Force® Drifter™ umožňuje driftы pozadu v plné rychlosti. U vozítka Crazy Cart Shift byly využity právě tyto koncepty a také možnost ještě ostřejšího otáčení díky plně rotačnímu pohonu předních kol a zadním samostavným kolečkům. Pečlivě si procvičujte používání těchto vlastností vozítka Crazy Cart Shift, užijete si přitom spoustu zábavy, a navíc je důležité naučit se opatrnosti, ostatně stejně jako u všech pohyblivých výrobků.

PLYNOVÝ PEDÁL:

Vozítko Crazy Cart Shift má plynový pedál, kterým se ovládá rychlost vozítka. Tento plynulý akcelerační pedál umožňuje jízdu v rozmezí rychlostí 0-13 km/h při nastavení HIGH (VYSOKÁ) a 0-4 km/h při nastavení LOW (NÍZKÁ), v závislosti na míře jeho sešlápnutí.

VOLANT:

Volant vozítka Crazy Cart Shift se v řadě pohledů liší od volantu normálního automobilu nebo motokáry. To nejdůležitější, co je nutné si o volantu Crazy Cart Shift zapamatovat, je skutečnost, že šípka na volantu ukazuje ve směru, kterým se vozítko pohybuje bez ohledu na to, kam směřuje zbývající část vozítka. Jednoduše natočte šípku tam, kam chcete, aby vozítko jelo (změnou přítlaku na plynový pedál lze měnit chování zadní část vozítka Crazy Cart Shift při otáčení, jak je popsáno níže).



Volantem vozítka Crazy Cart Shift lze otáčet o více než 170° stupňů v každém směru. Volantem nelze otáčet o 360 stupňů, neboť má tvrdý doraz – po úplném otočení jedním nebo druhým směrem lze s vozítkem couvat - a otočením o téměř 90 stupňů může vozítko Crazy Cart Shift jezdit dokola ve velmi ostrém kruhu (pozor na ztrátu kontroly při neustálém otáčení, kdy hrozí riziko závratě).

Konfigurace řízení integrovaného mechanismu pohonu a řízení vozítka Crazy Cart Shift připomíná něco, co by se dalo nazvat design „poutového narážecího autíčka“. Nemá žádný automaticky regulovaný odklon ani samostavné funkce (což znamená, že hlava řízení se pohybuje rovně nahoru a dolů, takže volant nemá automatické seřizování). Takové řízení se za určitých okolností může trochu chvět nebo

DŮLEŽITÉ: Vždy si vybírejte oblast, která je rovná, hladká, suchá a zcela prostá jiných vozidel nebo překážek. **NEJEZDĚTE KOLEM VOZIDEL!**

RADA K ŘÍZENÍ: Jakmile se naučíte, kdy sešlápnout pedál a kdy ho uvolnit, zlepšit se vaše schopnost plynule provádět otáčky, driftování a triky. Nejlepším způsobem, jak se naučit využívat možnosti vozítka Crazy Cart Shift, je jejich zkoušení při nízké rychlosti.

UPOZORNĚNÍ: Příliš dlouhotrvající nebo rychlé otáčení kolem osy mohou vést ke ztrátě rovnováhy, ztrátě kontroly nebo převrácení vozítka. Udržováním rukou, nohou i hlavy ve středu vozítka lze snížit riziko převrácení, neboť ergonomické síly mohou zvýšit riziko převrácení, pokud se tělo naklání ven a/nebo dojde k nadměrnému zrychlení při otáčení. Pokud je otáčení příliš rychlé na to, aby se dalo kontrolovat, sejměte nohu z plynového pedálu. Při otáčení kolem středové osy vozítka se nikdy nesnažte zrychlovat. Vozítko Crazy Cart Shift může akcelarovat rychleji, když v něm jede lehčí řidič, což je další důvod, proč je minimální doporučený věk 6 let. Dbejte na bezpečnost!

vibrovat - jedná se o normální jev. Obvykle se jedná o výsledek nekoordinovaného nebo nevhodného ovládní. Pokud ucítíte při řízení chvění volantu, změnou směru řízení (tzv. „kontrařazením“) a/nebo změnou rychlosti lze přispět k obnově plynulé kontroly nad vozítkem.

OTÁČENÍ KOLEM OSY, DRIFTOVÁNÍ A ZASTAVOVÁNÍ VOZÍTKA CRAZY CART SHIFT

Nejoptimálnější použití vozítka Crazy Cart Shift vyžaduje důslednou koordinaci řízení, pomocné páky a plynového pedálu. K dosažení většiny triků otáček a driftování, které lze s vozítkem provádět, stačí opatrné ovládní plynového pedálu a obezřetná manipulace s volantem. Kontrolu nad triky s vozítkem získáte nacvičením směřování šípky na volantu a kdy přidat či ubrat plyn. Hladkou jízdou se také prodlužuje provozní doba mezi nabíjením. Při prvním bližším seznámení s vozítkem Crazy Cart Shift se jezdcům vysoce doporučuje opatrně manipulovat s plynovým pedálem a pomalu a trpělivě zkusit kombinování kontrařazení a ovládní plynového pedálu při driftování a otáčení kolem osy.

Vozítko Crazy Cart Shift nemá žádnou samostatnou brzdou, s trochou praxe je však zastavení snadné. Sejmutím nohy z plynového pedálu se vozítko zpomalí v důsledku tření v hnacím ústrojí. Vozítko při jízdě vpřed okamžitě zastavíte sejmutím nohy z plynového pedálu a otočením volantem o 90 stupňů na jednu stranu. Po sejmutí nohy z plynového pedálu a otočení volantem se vozítko zastaví nebo se bude otáčet dokola a zpomalí až k zastavení. Otočením volantu o 90 stupňů a sejmutím nohy z plynového pedálu může jezdec okamžitě zastavit jízdu vpřed a místo toho se otočit. Takto se lze vyhnout kolizím nebo překážkám v cestě.

V zájmu vlastní bezpečnosti věnujte čas seznámení se s různými kombinacemi sešlápnutí plynového pedálu a otáčením volantu tak, abyste se naučili, jak zpomalit a zastavit při zachování kontroly nad vozítkem. V zájmu maximální bezpečnosti si tyto dovednosti důkladně natrénujte.

Tato základní cvičení v řízení mohou řidičům pomoci seznámit se s možnostmi vozítka Crazy Cart Shift:

1. Nejprve jezděte v kruhu.
2. Dělejte stejné kruhy a měňte přitom míru sešlápnutí plynu a všimněte si, jak poté vozítko Crazy Cart Shift reaguje zvýšením nebo snížením rychlosti při zatáčení. Měli byste si všimnout, že při silné akceleraci v zatáčce jde vozítko do smyku.
3. Při ježdění ve stejných kruzích vyzkoušejte vozítko stabilizovat ze smyku tzv. kontrařazením. Stabilizace (získání kontroly nad řízením) ze smyku kontrařazením se provádí nasměrováním šípky na volantu v opačném směru, než ve kterém Crazy Cart Shift smykuje. Takže například, pokud zatáčíte ostře doprava, vozítko se může dostat do smyku ve směru hodinových ručiček. Tomuto smyku lze zabránit mírným otočením volantu doleva a/nebo snížením přítlaku na plynový pedál. Nejlepší způsob, jak zvládnout tuto dovednost, je praxe.
4. Nacvičte si zastavení vozítka Crazy Cart Shift sejmutím nohy z plynového pedálu a otočením volantu o 90° doleva nebo doprava.
5. Procvičujte udržování „schouleného“ těla ve středu vozítka v ostrých zatáčkách nebo otáčkách.

! **UPOZORNĚNÍ:** Upozornujeme, že tyto specializované funkce jízdy mají vliv na funkci vozítka Crazy Cart Shift, a je nutné být velmi opatrný a pečlivě dodržovat bezpečné postupy a podmínky jízdy. Přečtěte si a prostudujte bezpečnostní pokyny a dávejte pozor, aby se vozítko Crazy Cart Shift vyhnulo jiným vozidlům, překážkám a prudkým svahům. Toto vozítko není „poutové narážecí autíčko“ a není určeno k úmyslným narázům, skákání ani používání na jiném povrchu, než je vyztužený, hladký a suchý povrch.

**КАК ДА СЕ РАБОТИ С КАРТА CRAZY CART SHIFT**

Преди да карате този вълнуващ продукт, отделете време, за да се запознаете с това как се движи по начина, по който се движи. Започнете бавно. Супрания и внимание трябва да се запознаете с тези съвети за каране, така че да максимизирате удоволствието от карането на карта Crazy Cart Shift, като същевременно поддържате контрол върху него.

Никога не превключвайте ключа за захранването в позиция **ON(ВКЛ.)**, преди да седнете в седалката на водача на Crazy Cart Shift. Като седнете в седалката на водача, преди да превключите захранването в позиция **ON(ВКЛ.)**, няма да рискувате да изгубите равновесие при натискане на педала за ускорение, докато сте изправени, за да се качите в (или да слезете от) Crazy Cart Shift.

ВИНАГИ превключвайте ключа за захранването в позиция **OFF(ИЗКЛ.)**, преди да слезете от карта Crazy Cart Shift.

ВАЖНИ ФУНКЦИИ ЗА КОНТРОЛ НА УПРАВЛЕНИЕТО:**КОНТРОЛИРАН ОТ РОДИТЕЛЯ ПРЕВКЛЮЧВАТЕЛ ЗА HIGH/LOW (ВИСОКА/НИСКА) СКОРОСТ**

Вашият Crazy Cart Shift има скрит превключвател за контрол на скоростта, който позволява на родителите дискретно да намалят (или увеличат) максималната скорост на Crazy Cart Shift. Този ограничител е предназначен за родителите на по-малки деца и тези деца, които се нуждаят от допълнително време за упражнение, за да научат как се движи Crazy Cart Shift.

Превключвателят е скрит вътре в отделението за батерията на Crazy Cart Shift, така че водачите да не могат да стигнат до него без да използват шестограмен ключ. Има две позиции за настройка:

- Когато превключвателят е в позиция **HIGH (ВИСОКА)**, Crazy Cart Shift има максимална скорост от 13 km/h. Това е позицията по подразбиране и се препоръчва за водачи на възраст 8 години и по-големи.
- Когато превключвателят е в позиция **LOW (НИСКА)**, максимална скорост на Crazy Cart Shift е ограничена до 4 km/h и препоръчаната минимална възраст на водача е 6 години.

ПЕДАЛ НА ГАЗТА И ВОЛАН

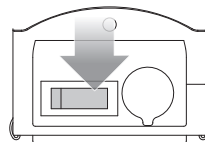
Картът Crazy Cart Shift позволява извършването на действително креативно дрифтване, завъртане и завиване, които не могат да се правят с обикновен карт за картинг. Ако сте карали Razor RipStik® или Razor RipRider® 360, представете си тези колелца, които са подвижни като колелца на мебели, и как те позволяват бързи смени на посоката; или как картът за картинг Razor Ground Force® Drifter™ позволява дрифтване на задницата при пълна скорост. Crazy Cart Shift използва тези движения като основа и добавя още по-големи възможности за извършване на остри завои чрез напълно въртящ се централен двигател и възможност за регулиране на ъгъла на задните помощни колелца. Карането на Crazy Cart Shift може да е невероятно забавно, и като при всички движещи се продукти, е важно да сте винаги внимателни, когато карате.

ПЕДАЛ ЗА УСКОРЕНИЕ:

Картът Crazy Cart Shift има педал за ускорение, който контролира скоростта на карта. Този променлив ускорител на скоростта позволява да карате карта със скорост от 0 до 13 km/h в позицията **HIGH (ВИСОКА)** и от 0 до 4 km/h в позицията **LOW (НИСКА)**, в зависимост от това в каква степен е натиснат.

КОРМИЛО:

Кормилото на карта Crazy Cart Shift се различава от това на нормална кола или нормален карт по няколко неща. Най-важното нещо, което трябва да се запомни за кормилото на Crazy Cart Shift е, че стрелката върху него сочи в посоката, в която ще се движи картът, независимо от това как е ориентирана останалата му част. Просто насочете стрелката в посоката, в която искате да тръгне картът (променлив натиск върху педала на газта може да промени начина, по който задната част на Crazy Cart Shift следва движението, както е описано по-долу).



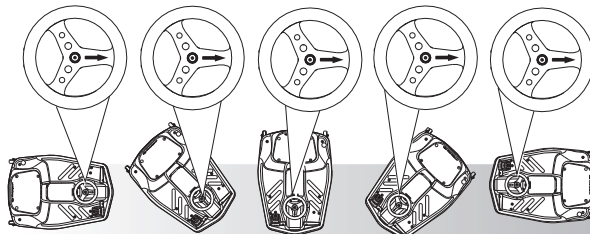
ВАЖНО: Винаги избирайте място за каране, което е равно, гладко, сухо и където няма улично движение или препятствия. **НЕ КАРАЙТЕ В БЛИЗОСТ ДО ПРЕВОЗНИ СРЕДСТВА!**

СЪВЕТ ЗА КАРАНЕ:

Научаването кога да натискате и кога да отпускате педала за ускорение ще подобри способността ви да извършвате завъртания, дрифтове и трикови номера безпроблемно. Най-добрият начин да опознаете способностите на Crazy Cart Shift е да ги изпробвате при ниска скорост.

**ПРЕДУПРЕЖДЕНИЕ:**

Прекомерна продължителност или скорост при завъртанията може да доведе до загуба на равновесие, загуба на контрол и преобръщане. Държането на краищата и главата прибори плътно към центъра на Crazy Cart Shift може да понижи риска от преобръщане, тъй като ергономичните сили увеличават риска от преобръщане, ако тялото е наклонено навън и/или скоростта на завъртането се ускорява прекалено много. Свалете крака си от педала за ускорение, ако завъртането стане прекалено бързо, за да може да бъде контролирано, не се опитвайте да излезете от завъртане чрез ускоряване. Картът Crazy Cart Shift може да ускорява по-бързо, когато се управлява от по-леки водачи, което е една от причините минималната препоръчителна възраст да бъде 6 години. Обръщайте внимание на безопасността!



ПОСОКА НА ДВИЖЕНИЕ



Кормилото на карта Crazy Cart Shift може да се върти повече от 170° във всяка посока. Кормилото „спира рязко“, когато достигне границата си на въртене, няма да се завърти изцяло, но като завъртите докрай в едната или в другата посока, можете да карате Crazy Cart Shift назад, а при завъртане на или близо до 90° Crazy Cart Shift може да се върти в много тесен кръг (внимавайте да не изгубите контрол, ако ви прилошее от много въртене).

Кормилната конфигурация на интегрирания механизъм за задвижване и управление на Crazy Cart Shift е подобна на тази, която някои могат да нарекат „дизайн на количка за картинг“. Тя няма саморегулираща се кривина или свойства за самоизправяне (което означава, че кормилната тръба е вертикална, така че колелото не се „подравнява“ само). Такъв начин на управление може, при определени обстоятелства, да трепти или вибрира малко – това е нормално. Обикновено това е в резултат на неkoordinирано или нежелано състояние на управлението. Ако почувствате вибриране в управлението, промяна на посоката (въртене на кормилото в обратна посока) и/или промяна на скоростта помага да се възстанови гладкостта на управлението.

ЗАВЪРТАНЕ, ДРИФТИРАНЕ И СПИРАНЕ НА CRAZY CART SHIFT

Най-добрият начин за използване на Crazy Cart Shift изисква внимателна координация между кормуването и педала за ускорение. По-голямата част от завъртанятия и дрифтиранията, които могат да се извършат с Crazy Cart Shift, се осъществяват с внимателен контрол на педала за ускорение и съзнателно движение на волана. Научаването къде да сочи стрелката върху волана и кога да се увеличи или намали силата са в основата на триковете за гладко управление. Гладкото каране също увеличава времето за каране между зарежданията. Когато за първи път се ориентирате с Crazy Cart Shift, е силно препоръчително водачите внимателно да натискат педала за ускорение и да отделят време да се запознаят с резултатите от комбинирането на завъртане на волана в обратна посока и управление на педала за ускорение, за да правят завъртанятия и дрифтирания с Crazy Cart Shift.

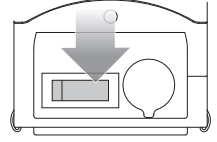
Няма оборудвана отделна спирачка на Crazy Cart Shift, но с практиката спирането става лесно. Разбира се, когато вдигнете крака си от педала за ускорение, картът ще намали скоростта си в резултат на триенето в трансмисиата. За незабавно спиране на движението напред на Crazy Cart Shift, вдигнете крака си от педала за ускорение и завъртете кормилото на 90 градуса в ляво и да е посока. Вдигането на крака от педала за ускорение и завъртането на кормилото ще доведе до това Crazy Cart Shift да се завърти или да дрифтира в кръг и да намали скоростта, докато спре. Чрез завъртане на кормилото на 90° и вдигане на крака от педала за ускорение, водачът може незабавно да спре движението напред и вместо това да завие встрани. По този начин Crazy Cart Shift може да избегне сблъсквания и препятствия по пътя си.

За вашата безопасност отделете време, да се запознаете и да свикнете с различните комбинации на натискане на педала за ускорение и завъртане на кормилото, за да научите как да намалявате скоростта и как да забавяте движението и да спрете, като същевременно поддържате контрол над карта. Упражнявайте тези умения за максимална безопасност на водача.

Тези основни упражнения за кормуване могат да помогнат на водачите да подобрят своите способности за управление на Crazy Cart Shift:

1. Първо карайте в кръг.
2. Правете едни и същи кръгове, променяйте силата на натиск на педала за ускорение и обърнете вниманието как реагира Crazy Cart Shift като увеличавате и намалявате скоростта, докато завивате. Ще забележите, че силното ускоряване, докато завивате води до завъртане на Crazy Cart Shift.
3. Докато все още правите същите кръгове, експериментирайте като поддържате тялото на карта от завъртане чрез „завъртане на волана в противоположната посока“. Завъртането на волана в противоположната посока, за да предотвратите завъртане на Crazy Cart Shift, се постига чрез насочване на стрелката на волана в посока, противоположна на тази, в която Crazy Cart Shift се завърта. Така, например, ако се завъртате силно надясно, картът може да се завърти в посока на часовниковата стрелка. Този завъртане може да бъде предотвратено чрез завъртане на волана леко вляво и/или намаляване на натиска върху педала за ускорение. Практиката е най-добрият начин да овладеете това умение.
4. Упражнявайте се да спирате Crazy Cart Shift, като махате крака си от педала за ускорение и завъртате волана на 90° наляво или надясно.
5. Упражнявайте се да държите тялото си прибрано при остри завои или завъртанятия.

! **ПРЕДУПРЕЖДЕНИЕ:** Обърнете внимание, че тези специализирани функции за шофиране влияят върху начина, по който функционира картът Crazy Cart Shift, и изискват допълнително внимание и следване на безопасни условия и практики за шофиране. Прочетете и прегледайте предупрежденията за безопасности бъдете изключително внимателни при управлението на Crazy Cart Shift, за да избегнете улично движение, препятствия и спускания по стръмни наклони. Това не е „блъскаща количка“ и не е предназначена за използване за блъскане, скачане или каране върху повърхности, които не твърди, гладки, равни и сухи.



ÖNEMLİ: Daima aynı seviyede, düzgün, kuru ve trafik ya da engellerden tamamen uzak bir sürüş alanı seçiniz. **ARAÇLARIN** ETRAFINDA BİNMEYİNİZ!

SÜRÜŞ İPUCU: Ne zaman itip ne zaman gaz pedalına basılacağına öğrenilmesi, savrulma, patinaj ve numaraların düzgün biçimde yapılması için yeteneğinizin geliştirilmesini sağlar. Crazy Cart Shift'in yeteneklerinin öğrenilmesi için en iyi yol hareketleri düşük hızda denemektir.

⚠ UYARI: Dönüşlerde aşırı süre veya hız; denge kaybı, kontrol kaybı ve devrilmeye neden olabilir. Crazy Cart Shift'in ortasına bacakların ve kolların sabit bir şekilde konumlandırılması, devrilme risklerini azaltabilir çünkü gövde dışı doğru yatıyor ve/veya patinaj hızı çok fazla artıyorsa ergonomik güçler savrulma riskini artırabilir. Patinaj hızını kontrol etmek zorlaşıyorsa ayağınızı gaz pedalından çekin, dönüş haricinde hızlanmaya çalışmayın. Tavsiye edilen minimum yaşın 6 olmasının bir nedeni olarak, üzerinde hafif sürücüler olduğunda Crazy Cart Shift daha fazla hızlanabilir. Güvenlik tedbiri alın!

TR

i

CRAZY CART SHIFT NASIL ÇALIŞTIRILIR

Bu heyecan verici ürüne binmeden önce nasıl hareket ettiğini öğrenmek üzere kendinize zaman tanıyın. Yavaş yavaş başlayın. Pratik ve dikkatle, sürüş tavsiyeleri ve ipuçlarıyla kendinizi alıştırmalısınız böylece Crazy Cart Shift ile olan tecrübeleriniz bir yandan aracı kontrol altında tutarken bir yandan da eğleneceği maksimuma çıkarmanızı sağlar.

Crazy Cart Shift'in sürücü koltuğunda oturmadan önce hiçbir şekilde AÇMA/KAPAMA düğmesini **ON(AÇIK)** konumuna getirmeyin. Gücü **ON(AÇIK)** konumuna getirmeden önce kendinizi yerleştirerek, Crazy Cart Shift'e girerken (veya çıkarken) ayağa kalktığınızda gaz pedalına basarak dengeni kaybetme riskini almazsınız. Crazy Cart Shift'ten çıkmadan önce **DAİMA AÇMA/KAPAMA** düğmesini **OFF(KAPALI)** konuma getirin.

ÖNEMLİ KONTROL ÖZELLİKLERİ:

EBEVEYNİN KONTROL ETTİĞİ YÜKSEK/DÜŞÜK (HIGH/LOW) HIZ ANAHTARI

Crazy Cart Shift'in, ebeveynlerin Crazy Cart Shift'in üst hızını gizlice azaltmaları (veya artırmalarını) sağlayan bir gizli hız kontrol anahtarı özelliğine sahiptir. Bu sınırlayıcı küçük çocukların ve Crazy Cart Shift'in hızlı hareket ettiğini öğrenmek için fazladan pratiğe ihtiyaç duyanların ebeveynleri için amaçlanmıştır.

Anahtar Crazy Cart Shift'in akü bölümünün içine gizlenmiştir. Böylece sürücüler bir Alyan anahtarını kullanmadan buna erişemez. İki ayar vardır:

- Anahtar YÜKSEK konumdayken Crazy Cart Shift'in üst hızı 13 km/s'dir. Bu varsayılan ayardır ve 8 ve üstü yaşta sürücüler için tavsiye edilir.
- Anahtar DÜŞÜK konumdayken Crazy Cart Shift'in üst hızı 4 km/s hız ile sınırlandırılmıştır ve minimum sürücü yaşı olan 6 yaş için önerilir.

GAZ PEDALI VE DİREKSİYON

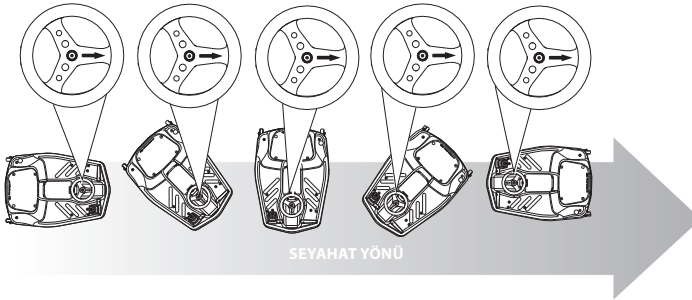
Crazy Cart Shift sıradan hiçbir go kartın yapamayacağı gerçekçi ve yaratıcı savrulma, patinaj ve dönme sağlar. Bir Razor RipStik® ya da Razor RipRider® 360'a bindiyse, caster tekerleklerini ve hızlı yön değişikliklerini ya da bir Razor Ground Force® Drifter™ go kartın tam hızdayken arka savrulmasını nasıl mümkün kıldığını düşünün. Crazy Cart Shift bu hareketler üzerine inşa edilmiştir ve hatta tam rotasyonel merkezi motor ve arka caster tekerlekler için ayarlanabilir bir aç yeteneği vasıtasıyla daha da dar dönüş olanakları sağlar. Crazy Cart Shift ile pratik yapmak çok eğlenceli olabilir ve tüm hareket eden ürünlerde olduğu gibi binerken daima dikkatli olmak önem teşkil eder.

GAZ PEDALI:

Crazy Cart Shift, aracın hızını kontrol eden bir ayak gaz pedalına sahiptir. Bu değişken hız ivmelenirici, ne kadar bastırıldığına bağlı olarak kartı, YÜKSEK ayarda 0-13 KM/S hız aralığında ve DÜŞÜK ayarda 0-4 KM/S hız aralığında sürebilmenizi sağlar.

DİREKSİYON:

Crazy Cart Shift'in direksiyonu, normal bir araba veya araçtan birkaç yönden farklıdır. Crazy Cart Shift'in direksiyonu hakkında hatırlanacak en önemli şey, aracın kalını nasıl yönlense yönlensin direksiyonun üzerindeki okun aracın gideceği yönü göstermesidir. Sadece oku aracın gitmesini istediğiniz yöne yöneltin (gazpedalina uygulanan farklı basınç aşağıda açıklandığı şekilde Crazy Cart Shift'in arkasının nasıl izleyeceği değiştirilebilir).



Crazy Cart Shift'in direksiyonu her yöne doğru 170°den fazla dönebilmektedir. Direksiyon, dönüş limitine ulaştığında bir "anı duruş" gerçekleştirir – sonuna kadar ilerlemeye devam etmez ancak bir yöne tamamen ya da diğer yöne tamamen dönerek Crazy Cart Shift'e geriye doğru binebilirsiniz ve 90° veya yakınında dönerek Crazy Cart Shift çok dar bir dairede hareket edebilir (başınızın dönmesiyle ilgili olarak çok fazla dönerek kontrolü kaybetmeyi engellemek için dikkatli olun).

Crazy Cart Shift entegre tahrihinin direksiyon konfigürasyonu ve direksiyon mekanizması, "alışveriş arabası"na benzeyen bir tasarıma sahiptir. Kendi kendini düzenleyici kamber veya caster özellikleri yoktur (direksiyon borusu tam yukarı ve aşağı hareket eder böylece tekerlek kendiliğinden "hızlanmaz"). Bu türden bir direksiyon bazı koşullarda biraz esneme veya titreme yapabilir, bu normaldir. Genelikle koordinasyonuz veya ters kontrol koşulunun sonucudur. Direksiyonda bir titreme hissederseniz, yön değişimi ("ters yönde hareket") ve/veya hız değişimi doğru kontrolün yeniden kurulmasına yardımcı olur.

PATINAJ, SAVRULMA VE CRAZY CART SHIFT'İN DURDURULMASI

Crazy Cart Shift'in en iyi kullanımı; direksiyon ve gaz pedalının dikkatli koordinasyonu ile oluşur. Crazy Cart Shift'te yapılabilecek dönüşlerin ve savrulmaların çoğunluğu, dikkatli gaz pedali kontrolü ve direksiyonun hassas manipülasyonu ile gerçekleştirilir. Direksiyondaki okun nereye yönleneceğinin ve gücün ne zaman artırılıp azaltılacağına öğrenilmesi numaraları düzgün bir biçimde kontrol etmenin anahtarıdır. Doğru sürüş, şarjlar arasındaki zamanı da artırır. Crazy Cart Shift ile ilk kez tanışırken sürücülere gaz dikkatle uygulamaları ve patinajlarla savrulmalarda Crazy Cart Shift'i yönlendirebilmek için ters yöne direksiyon çevirme ve gaz pedalının kombine sonuçlarına alışmak üzere kendilerine zaman tanımlarını önemle tavsiye etmektedir.

Crazy Cart Shift üzerinde ayrı bir fren yoktur ancak pratikle durdurması kolaydır. Tabii ki ayağınızı gaz pedalından çekmeniz, aktarma organlarındaki sürtünümün bir sonucu olarak aracı yavaşlatır. Crazy Cart Shift'in öne hareketini hemen durdurmak için ayağınızı gaz pedalından çekin ve direksiyonu 90° diğer tarafa çevirin. Ayağınızı gaz pedalından çekip direksiyonu çevirmeniz sonucunda Crazy Cart Shift, bir daire içinde patinaj çekip savrulacak ve durmak üzere yavaşlayacaktır. Direksiyonu 90° çevirip ayağınızı gaz pedalından çekerseniz, öne hareketi hemen durdurup dönebilirsiniz. Bu şekilde Crazy Cart Shift çarpışmaları engelleyebilir ve önüne çıkan şeylerden kurtulabilirsiniz.

Güvenliğiniz için nasıl yavaşlanacağını ve aracın kontrolünü kaybetmeden durulacağını öğrenmek üzere gaz pedalından ayağınızı çekmek ve direksiyonun çevrilmesinin çeşitli kombinasyonlarına alışmak ve konforlu şekilde uygulamak için kendinize zaman tanıyın. Maksimum sürücü güvenliği için bu becerileri geliştirin.

Bu temel direksiyon egzersizleri, sürücülerin Crazy Cart Shift'in yetenekleriyle aşına olmalarına yardımcı olabilir:

1. Önce bir daire çizin.
2. Aynı daireleri çizin, gaz pedalına basma miktarını değiştirip Crazy Cart Shift'in dönerken hızı arttırıp azalttığınızda nasıl reaksiyon verdiğine dikkat edin. Dönerken hızlanmanın Crazy Cart Shift'te patinaja sonuçlanacağına dikkat etmelisiniz.
3. Aynı daireleri çizmeye devam ederken 'direksiyonu ters yöne çevirerek' aracı patinaj çektirmemeyi deneyimleyin. Crazy Cart Shift'in patinajını durdurmak için direksiyonu ters yöne çevirerek, direksiyondaki oku Crazy Cart Shift'in patinaj çektiği yönün tersine getirerek gerçekleştirilir. Yani örneğin sağa doğru sertçe dönyürseniz, araç saat yönünde patinaj çekebilir. Patinaja direksiyonu hafifçe sola döndürerek ya da gaz pedalındaki basıncı azaltarak karşılık verilebilir. Pratik, bu beceride uzmanlaşmanın en iyi yoludur.
4. Ayağınızı gaz pedalından çekerek ve direksiyonu 90° sola veya sağa çevirerek Crazy Cart Shift'i durdurma pratiği yapın.
5. Sert dönüşlerde veya patinajlarda "sabit biçimde" kalma pratiği yapın.

! UYARI: Bu uzman sürüş özelliklerinin Crazy Cart Shift'in nasıl çalışacağına etki ettiğine ve güvenli sürüş koşulları ve uygulamaları için ekstra dikkat ve ilgi gerektirdiğine dikkat ediniz. Güvenlik Uyarılarını okuyun ve değerlendirin ve Crazy Cart Shift ile trafik, engeller ve yokuş aşağı sürüş ortamlarında ekstrasdan dikkatli olun. Bu bir "çarpışan araba" değildir ve çarpışmalara, atlayış etkinliklerine katılma ya da sertleştirilmemiş, düzgün, düz ve kuru alanlardan başka yüzeylerde kullanım için tasarlanmamıştır.

**КОРИСТУВАННЯ CRAZY CART SHIFT**

Перш ніж кататися на цьому чудовому пристрої, ознайомтеся з принципами та особливостями його роботи. Починайте з повільного руху. Обережно практикуйтеся, вивчаючи ці інструкції та поради з катання, щоб отримувати максимум задоволення від Crazy Cart Shift, не втрачаючи керування.

Переводити перемикач живлення в положення **ON(ВБИМК.)** дозволяється лише з сидіння Crazy Cart Shift. Спочатку сядьте на сидіння, і лише потім вмикайте живлення **ON(ВБИМК.)**. Це захистить вас від небезпеки втратити рівновагу, коли ви сикатимете на сидіння Crazy Cart Shift або сходитимете з нього. Перш ніж сходити із сидіння Crazy Cart Shift, необхідно встановити перемикач живлення в положення **OFF(ВБИМК.)**.

ВАЖЛИВІ ОРГАНИ КЕРУВАННЯ:**ПЕРЕМИКАЧ ШВИДКОСТІ HIGH-LOW ДЛЯ БАТЬКІВ**

Ваш Crazy Cart Shift має прихований перемикач швидкості, який дозволяє дорослим зменшувати (або підвищувати) максимальну швидкість дрифт-карту. Цей обмежувач призначений для батьків дітей молодшого віку та тих, хто тільки вчиться їздити та звикає до особливостей руху Crazy Shift Shift.

Перемикач схований всередині відсіку для батареї Crazy Cart Shift, отже, гоңцик не зможе отримати доступ до нього без використання гайкового ключа. Перемикач має два положення:

- у положенні HIGH максимальна швидкість Crazy Cart Shift обмежена до 13 км/год. Це налаштування встановлене за замовчуванням і рекомендовано для гоңциків віком від 8 років.
- у положенні LOW максимальна швидкість Crazy Cart Shift обмежена до 4 км/год, що рекомендовано для водіїв старше 6 років.

ПЕДАЛЬ АКСЕЛЕРАТОРА ТА КЕРМО

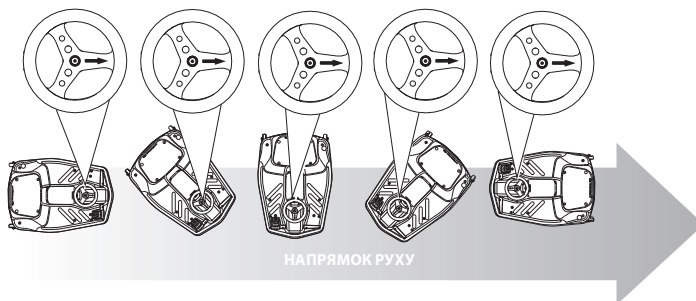
Crazy Cart Shift має значно ширші можливості керованого заносу (дрифту), розвертання на місці та проходження поворотів, ніж звичайні гоңночні карти. Якщо у вас є досвід користування виробами Razor RipStik® або Razor RipRider® 360, вам легше буде зрозуміти принцип дії вертлюжних коліщат, що уможливають швидко змінювати напрямку руху, а функція заносу задньої частини на повній швидкості вже була реалізована в карті Razor Ground Force® Drifter™. Crazy Cart Shift не лише може виконувати такі самі рухи, але й має менший радіус повороту завдяки передньому колесу, яке може обертатися на 360°, та заднім коліщатам. Тренування з Crazy Cart Shift може бути дуже цікавим, проте важливо, як і з іншим транспортом, дотримуватися заходів безпеки.

ПЕДАЛЬ АКСЕЛЕРАТОРА:

Crazy Cart Shift має педаль акселератора, яка призначена для керування швидкістю. Педаль газу дозволяє керувати дрифт-картом у діапазоні швидкостей від 0 до 13 км/год у положенні HIGH і 0-4 км/год у положенні LOW залежно від сили натискання педалі.

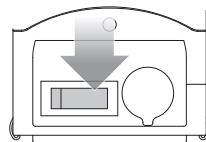
КЕРМО:

Кермо Crazy Cart Shift істотно відрізняється від керма звичайного автомобіля або карта. Найважливіша особливість керма Crazy Cart Shift полягає в тому, що стрілка на ньому вказує в напрямку руху карта незалежно від того, куди спрямована ходова частина. Просто спрямуєте стрілку в бажаному напрямку руху (зміна тиску на педаль акселератора може змінювати рух задньої частини Crazy Cart Shift, як описано нижче).



Кермо Crazy Cart Shift може повертатися більше ніж на 170° ліворуч і праворуч. Кут повертання керма обмежений механічним упором (тобто повертання на 360° неможливе); для руху назад слід повернути кермо Crazy Cart Shift до упору ліворуч або праворуч. Якщо повернути кермо приблизно на 90°, Crazy Cart Shift рухатиметься по колу з дуже малим радіусом (під час виконання такого маневру можлива втрата керування через запаморочення).

За принципом дії інтегрований механізм привода та кермового керування Crazy Cart Shift нагадує машини для зштовхування. У ньому не передбачено автоматичне коригування кута встановлення



ВАЖЛИВО! Для катання вибирайте місце з рівною, гладкою та сухою поверхнею, де відсутній рух транспорту та перешкоди. **КАТАТИСЯ ПРОЇЗДЖОЮ ЧАСТИНОЮ ЗАБОРОНЕНО!**

ПОРАДА З КАТАННЯ:

Потрібно навчитися вчасно натискати та відпускати педаль акселератора: це допоможе плавно входити в занос, розвертатися на місці та виконувати інші маневри. Найкращий спосіб вивчення можливостей Crazy Cart Shift - практика на малій швидкості.

**ПОПЕРЕДЖЕННЯ:**

Надмірна тривалість або швидкість розвертання на місці може призвести до втрати рівноваги та керування, а також до перекидання. Для зниження ризику перекидання голова та кінцівки мають знаходитися якомога ближче до центру Crazy Cart Shift (користувач має згруппуватися). Якщо тіло користувача видається за межі Crazy Cart Shift та/або здійснюється розвертання на місці з високою швидкістю, ризик перекидання підвищується. Якщо під час розвертання на місці з високою швидкістю ви відчуваєте, що можете втратити керування, приберіть ногу з педалі акселератора; не намагайтеся вийти з маневру шляхом прискорення. Crazy Cart Shift може розганятися швидше, якщо ним керує користувач з малою вагою; зокрема через це на ньому не рекомендується кататися дітям до 6 років. Пам'ятайте: безпека понад усе!



колеса (тобто кермовий вал рухається прямо вгору та вниз, і колесо не орієнтується автоматично). За певних обставин така система кермового керування може коливатися або вібрувати - це нормальне явище. Як правило, воно виникає внаслідок недостатньої координації дій користувача або в несприятливих для керування умовах. Відчувши коливання системи кермового керування, відновити керуваність можна шляхом зміни напрямку руху (повертання керма в протилежний напрямок) та/або зміни швидкості.

РОЗВЕРТАННЯ НА МІСЦІ, ДРИФТ І ЗУПИНЕННЯ CRAZY CART SHIFT

Для оптимального катання на Crazy Cart Shift необхідне добре скоординоване використання керма та педалі акселератора. Більшість маневрів із розвертання на місці та дрифту, які можна виконувати на Crazy Cart Shift, здійснюються шляхом умілого керування акселератором та кермом. Для плавного виконання трюків потрібно навчитися правильно встановлювати стрілку на кермі та додавати або зменшувати потужність. Окрім того, плавний рух збільшує тривалість роботи від акумулятора без заряджання. Під час першого знайомства з Crazy Cart Shift користувачу настійно рекомендується обережно натискати педаль акселератора та приділити певний час ознайомленню з одночасним повертанням керма в протилежний напрямок та керуванням педаллю акселератора для розвертання на місці та дрифту Crazy Cart Shift.

На Crazy Cart Shift відсутнє окреме гальмо, але з часом ви навчитесь легко зупиняти карт. Якщо прибрати ногу з педалі акселератора, рух карта вповільниться внаслідок тертя в механізмі привода. Для негайного зупинення руху Crazy Cart Shift переднім ходом приберіть ногу з педалі акселератора та поверніть кермо на 90° ліворуч або праворуч. Унаслідок прибирання ноги з педалі акселератора та повертання керма Crazy Cart Shift розвертатиметься на місці або почне дрифт по колу та сповільниться аж до повної зупинки. Повернувши кермо на 90° та прибравши ногу з педалі акселератора, можна негайно припинити рух уперед, натомість повернувши вбік. Завдяки цьому можна запобігати зіткненням Crazy Cart Shift із предметами на його шляху.

З міркувань безпеки поекспериментуйте з використанням педалі акселератора та керма в різних комбінаціях на низькій швидкості, щоб навчитися сповільнювати рух та зупинятися, підтримуючи контроль. Така практика забезпечить максимальну безпеку під час користування.

Для ознайомлення з можливостями Crazy Cart Shift рекомендуються описані нижче вправи.

1. Спрямуйте карт по колу.
2. Так само рухайтесь по колу, однак змінюйте натискання на педаль акселератора та зважайте на реакцію Crazy Cart Shift на збільшення та зменшення швидкості при повертанні. Ви маєте помітити, що сильне пришвидшення при повертанні примушує Crazy Cart Shift обертатися.
3. Не припиняючи їхати по колу, спробуйте припинити обертання корпусу шляхом повертання керма в протилежний напрямок. Повертання керма в протилежний напрямок для зупинки Crazy Cart Shift досягається шляхом встановлення стрілки на кермі в напрямку, протилежному обертанню Crazy Cart Shift. Наприклад, якщо різко повернути праворуч, карт може обертатися за годинниковою стрілкою. Це обертання можна припинити, трохи повернувши кермо ліворуч та/або зменшивши натискання на педаль акселератора. Практика – найкращий спосіб опанувати цю навичку.
4. Намагайтеся зупинити Crazy Cart Shift, знявши ногу з педалі акселератора та повертаючи кермо на 90° ліворуч або праворуч.
5. Повчіться групувати своє тіло під час проходження крутих поворотів або розвертання на місці.

⚠ ПОПЕРЕДЖЕННЯ: Необхідно розуміти, що ці спеціалізовані функції руху впливають на роботу Crazy Cart Shift і вимагають особливої обачності та суворого дотримання правил техніки безпеки під час катання. Прочитайте та в разі потреби перечитуйте розділ «Техніка безпеки» під час користування Crazy Cart Shift уникайте місць із дорожнім рухом, перешкодами та схилами. Цей вибір не є міні-електромобілем із бампером - він не розрахований на зіткнення та стрибки. Кататися на ньому можна лише на твердих, рівних, гладких і сухих поверхнях.



CRAZY CART SHIFT の操作方法

このスリルに満ちた製品に乗る前には、十分時間をかけて動きかたを学んでください。初めはゆっくりと乗って下さい。注意を払いながら練習を重ねてこれらの乗り方のコツをつかみ、Crazy Cart Shift をコントロールしつつ楽しんでください。

Crazy Cart Shift の運転席に座る前には絶対に電源スイッチを**ON**にしないようにしてください。電源を**ON**にする前に運転者の準備を整えておけば、Crazy Cart Shift に乗り込む（または降りる）ために立ち上がった間にアクセルペダルを踏んでしまっただけでバランスを失う危険性はありません。Crazy Cart Shift から降りる前には、毎回必ず電源スイッチを**OFF**にしてください。

重要なコントロール機能：

親が管理する高速/低速 (HIGH/LOW) 切り替えスイッチ

Crazy Cart Shift には隠された速度制御スイッチがあります。このスイッチを使って親は子どもに気付かれないように Crazy Cart Shift の最高速度を抑える（上げる）ことができます。この制限機能は幼い子どもの親や Crazy Cart Shift の動きを学ぶのに時間が必要な人の監督者が使用するためのものです。

このスイッチは Crazy Cart Shift のバッテリー収容部の内側についてるので、運転者は六角棒スパナを使わないと開けることができません。このスイッチには2つの設定があります。

- スwitchを「HIGH」にすると、Crazy Cart Shift の最高速度は 13 km/h になります。初期設定は「HIGH」です。この速度は8歳以上の運転者用に推奨されています。
- スwitchを「LOW」にすると、Crazy Cart Shift の最高速度は 4 km/h になります。この速度は6歳の運転者用に推奨されています。

アクセルと操舵ハンドル：

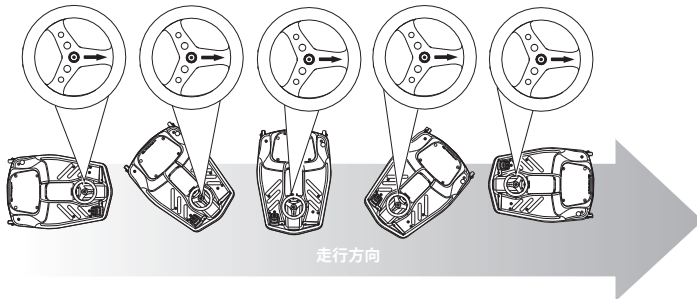
Crazy Cart Shift では、普通のゴーカートではできない実に創造的なドリフト走行、スピン、方向転換が可能です。Razor RipStik® または Razor RipRider® 360 に乗られた方なら、そのキャスターホイールを使って急に方向転換できることを、また Razor Ground Force® Drifter™ ゴーカートでフルスピードでリアエンドドリフトができることを考えてみてください。Crazy Cart Shift はこうした動きに加えて、完全に旋回可能な前輪駆動とリアキャスターホイールの採用で、よりタイトな旋回を可能にしました。Crazy Cart Shift で練習を重ねると今までに無い楽しさを味わえますが、その他の移動式製品と同じく、走行時は常に注意を払うことが重要です。

アクセルペダル：

Crazy Cart Shift には足ペダルのアクセルがあり、これがカートのスピードをコントロールします。この可変式アクセルペダルを使うと、踏み込みの具合によって、「HIGH」の設定ではカートは 0-13 km/h の速度範囲で運転することができます。「LOW」の設定ではカートは 0-4 km/h の速度範囲で運転することができます。

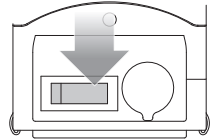
操舵ハンドル

Crazy Cart Shift の操舵ハンドルは普通の乗用車やカートとは多くの点で異なります。Crazy Cart Shift の操舵ハンドルで重要なことは、その上の矢印の向きにカートが動き、これにはカートの他の各部の向きには関係が無いことです。カートを動かしたい向きに矢印を向けてください（アクセルペダルの踏み込み方は、下記の様に Crazy Cart Shift の後部がどのようにこれに従うかを変化させます）。



Crazy Cart Shift の操舵ハンドルは各方向に170°以上回転します。操舵ハンドルはその回転限度に達すると「ハードストップ」して、それ以上は回りませんが、完全に回転または反対方向に完全に回転すると Crazy Cart Shift を反対向きに走行でき、90°かそれに近く向けると Crazy Cart Shift は非常に急に旋回できます（めまいがしてコントロールを失わないようにしてください）。

Crazy Cart Shift の組込型駆動操舵機構の操舵構成はいわゆるバンパーカーのものと似ていると言うこともできます。これには自己補正キャンバー（キャスター角）の機能はありません（操舵チューブはまっすぐ上下に動き、ホイールは自分自身で「整列」しません）。条件によってはこのような操舵は少し振動を伴うことがありますが、これは正常です。これは通常コントロールに協調性が無い、つまり制御条件が厳しいことを示します。操舵時に振動を感じる場合は、方向転換（カウンターステアリング）やスピード変更でめめらかなコントロールに戻ることができます。



重要：水平で、スムーズ、乾燥して、交通や障害物が全くない場所を常に選んでください。車両付近では決して走行しないでください！

乗り方のコツ：アクセルペダルをいつ踏んで、いつ踏み込むのをやめるかが分かってくと、スピンドリフト、曲乗りがうまくできるようになります。Crazy Cart Shift で何ができるかを習うには、低速で行うのがベストです。

警告：スピンを長時間やり過ぎたり、高速でやり過ぎるとバランスやコントロールを失い、転倒する恐れがあります。手足と頭を Crazy Cart Shift の中央に寄せると転倒の危険を低減できます。これは、身体が外側に倒れていたり、スピンのスピードが急激に増加しすぎると人間工学的な力が転倒の危険を増すからです。スピニングが早すぎてコントロールできなくなってきたときには、加速してスピンから抜け出すのではなく、アクセルペダルから足を離して下さい。Crazy Cart Shift は体重の軽いライダーでは加速が速くなることがあり、これが推奨最低年齢を6歳に設定してある一つの理由です。安全第1にしてください！



Crazy Cart Shift のスピン、ドリフト、停止

操舵とアクセルをうまく組み合わせるようになると、Crazy Cart Shift が上手に運転できるようになります。Crazy Cart Shift で可能なスピンとドリフトの多くは、アクセルのコントロールと操舵ハンドルの目的にかなった操作で行えます。操舵ハンドルの矢印をどの方向に向けるか、いつ動力を増減するかが分れば曲乗りもうまくできるようになります。スムーズに走行できるようになると、一回の充電で走行できる時間も長くなります。Crazy Cart Shift を使い始めるのころは、ゆっくりとアクセルを踏んで、カウンターステアリングとアクセルの踏み込みをどう組み合わせればという結果がでるの時間をかけて練習し、スピンとドリフト操作を習得してください。

Crazy Cart Shift には別個のブレーキはありませんが、練習をすれば簡単に停止できるようになります。もちろん、アクセルから足を離せばカートは駆動系での摩擦のため速度は落ちます。Crazy Cart Shift の前進を直ちに停止するには、アクセルから足を離し、操舵ハンドルを左右どちらかに90°回してください。アクセルから足を離して操舵ハンドルを回すと、Crazy Cart Shift が円を描いてスピンまたはドリフトし、減速して停止します。操舵ハンドルを90°回してペダルから足を離すと、直ちに前進動が停止して、旋回します。Crazy Cart Shift はこのように衝突を回避し、障害物を避けることができます。

安全のため、アクセルの踏み込みと操舵ハンドル回転の様々な組み合わせに十分時間を取って慣れ、カートのコントロールを保ちつつ減速、停止することを習得してください。安全性向上のため、これらの技術を練習してください。

次の基本的な操舵練習で、Crazy Cart Shift の機能に慣れることができます。

1. 先ず、円を描くようにハンドルを操作します。
2. 同じ円を描き、アクセルの踏み込みを変えて旋回中の速度を変えるとCrazy Cart Shift がどのように反応するかを見てください。旋回中にアクセルを強く踏み込むとCrazy Cart Shift がスピンして横滑りすることが分ります。
3. 同じ円を描きながら、カウンターステアリングを行い、カートがスピンアウトしないようにしてみてください。カウンターステアリングによってCrazy Cart Shift がスピンアウトしないようにするには、操舵ハンドル上の矢印をCrazy Cart Shift がスピンアウトするときに旋回している方向とは逆に向けます。例えば、右に急旋回すると、カートは時計回りにスピンアウトする場合があります。このスピンアウトは操舵ハンドルを少し左に回すか、アクセルを少し緩めるか、両方を同時に行うと回避できます。この技術をマスターするには、練習が第一です。
4. アクセルから足を離し、操舵ハンドルを右か左に90°回転して、Crazy Cart Shift を止める練習をしてください。
5. 急旋回やスピンを行う時に、「はみ出さない」ようにする練習をしてください。

! **警告:** こうした特殊な走行機能はCrazy Cart Shift がどのように動作するかに影響を与えますので、特に気を付けて、安全走行条件や慣行に注意を払う必要があります。69~70ページの安全上の警告を読んで確認し、交通、障害物、下り坂を避けるよう特に注意してください。これはいわゆるバンパーカーではなく、衝突、ジャンプ用には作られておらず、硬く、スムーズで平ら、乾燥した面以外での使用は意図していません。



CRAZY CART SHIFT 작동법

이 흥미로운 제품을 사용하기 전에, 시간을 내어 작동 방법을 익히도록 하십시오. 천천히 배우도록 하십시오. 연습을 통해 이 라이딩 힌트와 요령을 숙달하여 Crazy Cart Shift 를 타면서 제어를 유지하는 동시에 최대한의 재미를 얻을 수 있도록 하십시오.

Crazy Cart Shift 의 운전석에 앉기 전까지는 절대로 전원 스위치를 **ON(온)**으로 돌리지 마십시오. 운전석에 착석한 후 전원을 **ON(온)**으로 함으로써, Crazy Cart Shift 가 서 있는 상태에서 들어서거나 (또는 나오면서) 가속 페달을 밟아 균형을 잃게 되는 경우가 발생하지 않습니다. Crazy Cart Shift 에서 내리기 전에 항상 전원 스위치를 **OFF(오프)**로 돌려 고십시오.

부모가 통제하는 고속/저속 (HIGH/LOW) 스위치

본 Crazy Cart Shift 의 특색인 숨겨진 속도 설정 스위치로 부모들은 은밀히 Crazy Cart Shift 의 최대 속도를 줄이거나 혹은 올릴 수 있습니다. 이러한 제한기는 더 어린 아이들의 부모들 또는 Crazy Cart Shift 의 작동 방법을 익히는 데 더 많은 연습이 필요한 어린이들의 부모들을 위해 고안되었습니다.

스위치는 Crazy Cart Shift 의 배터리함 안에 숨겨져 있어 라이더는 알렌 렌치를 사용하지 않고는 접근할 수 없습니다. 다음과 같은 두 종류의 설정이 있습니다:

- 스위치가 고속 위치에 있을 때에는 Crazy Cart Shift 의 최고 속도는 13 km/h 입니다. 이것은 기본 설정으로서 8 세 이상의 라이더에게 권장합니다.
- 스위치가 저속 위치에 있을 때에는 Crazy Cart Shift 의 최고 속도는 4 km/h 로 제한되며 최소 연령이 6 세인 라이더에게 권장합니다.

가속 페달 및 핸들

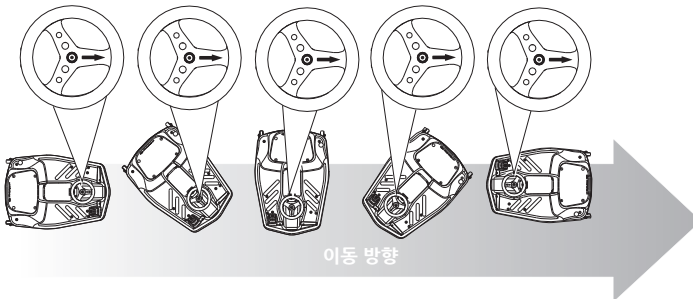
Crazy Cart Shift 는 일반 고카트로 할 수 없는 창의적인 드리프팅, 스피닝 및 터닝을 자유자재로 할 수 있습니다. Razor RipStik® 이나 Razor RipRider® 360 을 타보셨다면, 이 제품들의 캐스터 휠과 빠른 방향 전환을 생각해 보십시오. 또는 Razor Ground Force® Drifter™ 고카트의 전속력 후단 드리프팅을 생각해 보십시오. Crazy Cart Shift 는 이러한 모션들을 토대로 만들어졌으며, 이에 더하여 완전한 회전이 가능한 전륜 구동 바퀴와 후면 캐스터 휠을 통해 보다 폭이 넓은 급선회전의 가능성을 추가했습니다. Crazy Cart Shift 의 실습이 놀랄 만큼 재미있을 것입니다. 하지만 모든 움직이는 상품의 경우와 마찬가지로 탈 때에는 항상 주의하십시오.

가속 페달:

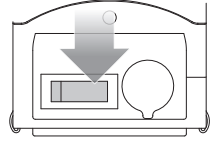
Crazy Cart Shift 에는 발 가속 페달이 있으며 이 페달로 카트의 속도를 제어합니다. 이와 같이 조절이 가능한 가속장치는 누르는 정도에 따라 카트를 고속 설정 시 0-13 KM/H, 저속 설정 시 0-4 KM/H 의 속도로 가동할 수 있게 합니다.

핸들:

Crazy Cart Shift 의 핸들은 여러 면에서 보통의 차량이나 카트와 다릅니다. Crazy Cart Shift 의 핸들에 있어 가장 중요한 점은 카트의 나머지 부분이 향하고 있는 방향과 상관 없이 핸들에 있는 화살표가 가리키는 방향이 카트가 전진할 방향이라는 점입니다. 카트를 진행시킬 방향으로 화살표를 가리키기만 하면 됩니다 (가속 페달에 주는 압력을 바꾸면 아래 설명과 같이 Crazy Cart Shift 의 뒷부분이 따르는 방법을 바꿀 수 있습니다).



Crazy Cart Shift 의 핸들은 각 방향으로 170° 이상 회전 가능합니다. 핸들이 회전 한계에 도달하면*하드 스톱에 걸립니다. 핸들이 계속 돌아가지는 않지만, 한 방향으로 완전히 돌리거나 또는 다른 방향으로 완전히 돌림으로써, Crazy Cart Shift 를 후진시킬 수 있습니다. 핸들을 90° 또는 90°에 가깝게 돌리면 Crazy Cart Shift 가 아주 아주 작은 원을 그립니다(지나치게 돌리면 어지러워서 제어를 상실할 우려가 있으므로 조심하십시오).



중요사항: 라이딩은 수평이고, 평탄하며, 건조하고 차량 통행이나 장애물이 전혀 없는 장소에서 하십시오. 차량 주변에서는 타지 마십시오!

라이딩 요령: 가속 페달을 언제 누르고 언제 발을 떼어야 할지를 익히면 스피닝(회전), 드리프트(서서히 이동) 및 모기들을 자유롭게 할 수 있는 능력을 키울 수 있습니다. Crazy Cart Shift 의 기능을 배우는 가장 좋은 방법은 저속에서 시도해 보는 것입니다.

⚠ 경고: 회전을 과다하게 오래하거나 너무 높은 속력으로 하면, 균형 및 제어력을 상실하여 넘어질 수 있습니다. 팔다리와 머리를 Crazy Cart Shift 중앙 쪽으로 유지하여 넘어지는 위험을 방지해야 합니다. 이는 만약 신체가 바깥 쪽으로 기울어져 있거나 회전 속도가 너무 가속되면 인체공학적으로 넘어질 위험이 높아지기 때문입니다. 회전이 통제할 수 없을 정도로 빨라지면 가속 페달에서 발을 떼십시오. 회전 중에는 가속하지 마십시오. Crazy Cart Shift 는 무게가 가벼운 라이더가 탑승 시 더 빠르게 가속될 수 있습니다. 이러한 이유로 최저 권장 연령을 6 세로 정한 것입니다. 안전을 항상 염두에 두십시오!



Crazy Cart Shift 의 통합적 구동 및 스티어링 장치의 스티어링 구성은 "범퍼카트"설계와 유사하다고도 말할 수 있습니다. 자가 시경 캠버나 캐스터링 기능은 없습니다(다시 말해서, 스티어링 튜브가 똑바로 올라가거나 내려가므로 바퀴가 자체적으로 "정렬"되지는 않습니다). 이러한 스티어링은 특정 상황에서 약간 흔들리거나 진동할 수 있습니다. 이러한 현상은 정상입니다. 보통 이러한 현상은 미조정 또는 역 제어 조건의 결과입니다. 스티어링에서 흔들림을 느낀다면, 방향을 바꾸거나 ("카운터 스티어링") 또는 속도를 변경하면 다시 쉽게 제어를 할 수 있습니다.

Crazy Cart Shift 회전, 드리프팅 및 정지

Crazy Cart Shift 를 최상으로 잘 사용하려면 스티어링, 드리프트 바와 가속 페달을 잘 조화시켜야 합니다. Crazy Cart Shift 로 수행하는 회전과 드리프트의 대부분은 조심스러운 가속기 제어와 신중한 핸들 조정으로 가능합니다. 핸들 상의 화살표를 어떤 곳으로 가리키는지와 연계 힘을 넣고 빼느냐를 익히는 것이 요기를 부드럽게 조정하는데 있어서 핵심입니다. 매끄러운 라이딩을 하면 또한 충전을 더 늦게 할 수 있습니다. Crazy Cart Shift 를 처음 사용할 시, 조심스럽게 가속기를 작동시키며 카운터 스티어링과 가속기 페달 제어의 조화로 Crazy Cart Shift 의 회전과 드리프팅을 조정하게 되는 결과에 익숙해 지도록 충분한 시간을 가지기를 권장합니다.

Crazy Cart Shift 에는 별도의 브레이크가 없지만 연습을 하면 쉽게 멈출 수 있습니다. 물론, 가속 페달에서 발을 떼면 구동력이 마찰이 일어나 카트의 속도가 줄어듭니다. Crazy Cart Shift 의 전방 이동을 즉시 멈추려면, 가속 페달에서 발을 떼고 핸들을 좌우 어느 쪽이든 90도로 돌립니다. 가속 페달에서 발을 떼고 핸들을 돌리면 Crazy Cart Shift 가 원을 그리며 회전하거나 드리프팅하고 천천히 멈추어 섭니다. 핸들을 90도로 돌리고 가속 페달에서 발을 뺀으로써 라이더는 즉시 전방 이동을 멈추고 대신 회전하게 됩니다. 이러한 방법으로 Crazy Cart Shift 는 충동을 피하고 경로에 있는 물체를 피할 수 있습니다.

안전을 위해 가속기 페달 밟기와 핸들 돌리기의 다양한 조합에 익숙해지고 편안하게 느낄 때까지 숙달하여 카트를 제어하면서 속도를 낮추는 방법과 정지하는 방법을 충분한 시간을 가지고 배워 보십시오. 라이더의 완전한 안전을 위해 이러한 기술들을 연습하십시오.

다음과 같은 기본 스티어링 연습을 통해 라이더들은 Crazy Cart Shift 의 기능에 익숙해질 수 있습니다:

1. 일단 핸들을 원형으로 돌리십시오.
2. 같은 식으로 원을 그리면서 가속 페달 밟기의 정도를 바꾸어 보고, 속도를 올리고 낮춤에 따라 Crazy Cart Shift 가 회전 시 어떻게 반응하는 지 기억해 두십시오. 회전 시 심하게 가속을 하게 되면 Crazy Cart Shift 가 스피아웃하게 됨을 알게 되실 겁니다.
3. 계속 같은 원을 그리면서 카운터 스티어링으로 카트의 차체가 스피아웃하지 않게 할 수 있는 지 시험해 보십시오. 카운터 스티어링으로 Crazy Cart Shift 의 스피아웃을 멈추게 하기 위해서는 핸들 상의 화살표를 스피아웃 하려는 방향의 반대로 가르키게 하면 됩니다. 예를 들어, 오른쪽으로 급회전 하면 카트는 반대 방향으로 스피아웃 하게 됩니다. 이 경우, 핸들을 약간 왼쪽으로 돌리거나 또는 가속 페달의 밟음을 줄이면 스피아웃을 막을 수 있습니다. 이러한 기술을 익히기 위해서는 연습이 가장 좋은 방법입니다.
4. 가속 페달에서 발을 떼고 핸들을 좌우 어느 쪽이든 90도로 돌려 Crazy Cart Shift 의 이동을 즉시 멈추는 연습을 하십시오.
5. 작은 원이나 회전을 그릴 때 신체를 "웅크리도록"연습하십시오.

! 경고: 이와 같은 특수한 라이딩 특성들이 Crazy Cart Shift 의 기능에 영향을 미치며 안전한 라이딩 조건과 연습에 특별한 주의와 관심을 기울여야 됨을 명심하십시오. 안전 경고를 읽고 검토한 다음, 차량 통행, 장애물, 하향 경사의 환경에서 Crazy Cart Shift 를 타지 않도록 특별히 주의하십시오. 이 제품은 "범퍼 카"가 아니며, 충돌이나 튀어오르기를 위해 설계되어 있지 않았으며 또한 단단하고, 매끈하며, 평평하고, 건조한 장소 이외의 표면에서 사용할 수 있도록 설계되었습니다.

ZH

i

如何使用 CRAZY CART SHIFT

騎乘這款刺激的產品前，請花些時間瞭解它如何移動。緩慢啟動。練習時請務必小心，您必須熟悉這些騎乘建議和提示，這樣您才能在保持掌控的同時體驗到 Crazy Cart Shift 帶來的最大樂趣。

在坐到 Crazy Cart Shift 的駕駛員座椅上之前，請勿將開關撥到 **ON(開)** 位置。先坐好再將電源開關撥到 **ON(開)** 位置，這樣在您站著跨上 (或跨出) Crazy Cart Shift 時，您不會因為踩加速踏板而失去平衡。離開 Crazy Cart Shift 前，請始終將開關撥到 **OFF(關)** 位置。

重要控制功能：

家長控制的高/低 (HIGH/LOW) 速開關

這 Crazy Cart Shift 設有一個可家長酌量減低 (或提高) Crazy Cart Shift 最高速度隱藏的速度開關。此限制器是為較年輕兒童的父母及那些需要更多練習時間來學習 Crazy Cart Shift 的移動。

此開關是隱藏在 Crazy Cart Shift 的電池箱，這樣騎用者必需用艾倫內六角扳手連接這箱。此開關有兩個位置：

- 當這開關是設於高速位置時，Crazy Cart Shift 的最高速度是 13 km/h。這是預置的位置也是推薦為 8 歲及以上騎用者用的。
- 當這開關是設於低速位置時，Crazy Cart Shift 的最高速度是限制於 4 km/h 也是推薦為是低 6 歲的騎用者用。

加速踏板和方向盤

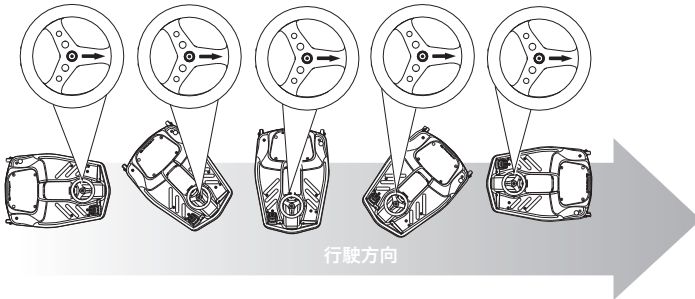
Crazy Cart Shift 可以真正做到創意漂移、旋轉和轉彎，一般的高卡車無法做到這些。如果您曾騎乘過 Razor RipStik® (扭扭滑板車) 或 Razor RipRider™ 360，請想-想那些腳輪，以及它們轉換方向的速度；以及 Razor Ground Force® Drifter™ 高卡車允許的全速尾端漂移速度。透過完全旋轉的前驅動輪和後腳輪，Crazy Cart Shift 在上述這些運動的基礎上還添加了更緊湊的轉彎能力。練習 Crazy Cart Shift 可讓騎手感受到最大樂趣，但請謹記，和使用所有移動產品一樣，騎乘時務必小心謹慎。

加速踏板：

Crazy Cart Shift 有一個腳踏加速器，可控制卡丁車的速度。這可變速的增速器容許你當設置於高速位置時駕駛速度為 0-13 KM/H 與及當設置於低速位置時駕駛速度為 0-4 KM/H，速度是根據增速器被壓抑的程度而定。

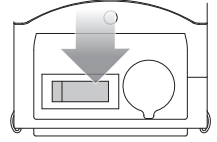
方向盤：

Crazy Cart Shift 的方向盤和普通的車輛或卡丁車有很多不同之處。有關 Crazy Cart Shift 方向盤要記住的最重要的一點是，車上的箭頭指示卡丁車將要行駛的方向，不論卡丁車的其他部分方向如何。只需將箭頭指向您要卡丁車前往的方向 (如下所述，使用加速踏板可變更 Crazy Cart Shift 後部的運動方式)。



Crazy Cart Shift 的方向盤能夠在每個方向旋轉超過 170 陣。當方向盤達到其旋轉極限時，它會「硬停」- 它不會完成整個轉向，而是完全轉向一個方向，或轉向另一個方向，您可向後騎乘 Crazy Cart Shift - 然後透過 90° 或接近 90° 的轉彎，Crazy Cart Shift 可以沿非常非常小的圓圈轉圈 (小心避免因過度轉圈而頭暈，從而導致失控)。

Crazy Cart Shift 的轉向配置結合了驅動與轉向機械裝置，類似於有些人說的「碰碰車」設計。它沒有自動修正弧度或腳輪功能 (即轉向管垂直向上和向下，因此車輪不會獨立「對齊」)。因此在某些情況下，方向盤可能會輕微搖動或震動 - 這屬於正常情況。這通常由不協調或逆向控制情況所導致。如果您察覺方向盤出現搖動，轉換方向 (「反向轉向」) 和/或變換速度可幫助重建平穩控制。



重要資訊：始終選擇平坦、光滑、乾燥和完全遠離車流或障礙物的場地騎乘。請勿在車輛周圍騎乘！

騎乘提示：瞭解何時踩下及鬆開加速踏板將可提高您順利旋轉、漂移和玩特技動作的能力。瞭解 Crazy Cart Shift 功能的最佳辦法就是以低速練習。

警告：旋轉時間過長或旋轉速度過快可導致失去平衡、失控和傾翻。保持四肢和頭部緊縮在 Crazy Cart Shift 的中心可減少傾翻的風險，因為如果身體向外傾斜和/或旋轉速度加速過快，人機工程學力會加大傾翻的風險。如果旋轉變得過快以致難以控制，請鬆開加速踏板，切勿嘗試加速以脫離旋轉。當體重較輕的騎手坐在 Crazy Cart Shift 上時，它可能會更快加速，這正是最小建議年齡為 6 歲的原因之一。安全至上！



旋轉、漂移和停止 Crazy Cart Shift

最大化地使用 Crazy Cart Shift 涉及小心協調轉向和加速器。只要小心控制加速器，慎重操縱方向盤，基本就能讓 Crazy Cart Shift 實現旋轉和漂移。瞭解方向盤上的箭頭指向方向，以及何時加大或減小動力是平穩控制騎乘動作的關鍵。平穩騎乘還能延長兩次充電之間的運行時間。首次使用 Crazy Cart Shift 時，我們強烈建議騎手小心使用加速器，花些時間熟悉反向轉向與加速器踏板控制的組合效果，以操縱 Crazy Cart Shift 的旋轉和漂移。

Crazy Cart Shift 沒有獨立剎車，但透過練習可以輕鬆停車。當然，由於驅動鏈的摩擦效果，鬆開加速器踏板可以讓卡丁車慢下來。若要使 Crazy Cart Shift 立即停止向前移動，只需鬆開加速器踏板，並將方向盤向任意一側轉向 90 度。鬆開加速器踏板並轉動方向盤將導致 Crazy Cart Shift 旋轉或沿圓圈漂移，然後減速至停止。透過轉動方向盤 90° 並鬆開加速器踏板，騎手可立即停止向前移動並轉向一邊。這樣 Crazy Cart Shift 就能避免碰撞，並繞開擋道的物體。

為確保安全，請花些時間熟悉並適應壓下加速器踏板及轉動方向盤的各種組合方式，瞭解如何減速及停止，同時能夠控制卡丁車。請練習這些技能，以最大程度地確保騎乘安全。

這些基本的轉向練習有助於騎手熟悉 Crazy Cart Shift 的功能：

1. 首先沿圓圈轉向。
2. 同樣轉圈，依您壓下加速器踏板的力度而異，然後注意在轉向時，隨著加速和減速，Crazy Cart Shift 會如何反應。您應當注意到，轉向時加速過大會導致 Crazy Cart Shift 旋轉。
3. 繼續轉圈，體驗避免身體在卡丁車內因反向轉向而旋轉。反向轉向，將方向盤上的箭頭指向與 Crazy Cart Shift 旋轉方向相反的方向，防止 Crazy Cart Shift 旋轉。因此，舉例來說，如果向右轉向過猛，卡丁車可能會沿順時針方向旋轉。將方向盤略向左及/或減小加速器踏板的壓下力度，可防止旋轉。熟能生巧。
4. 練習鬆開加速器踏板，並將方向盤向左或向右轉向 90 度，使 Crazy Cart Shift 停止。
5. 練習小角度轉彎或旋轉期間停留在「緊縮」狀態。

警告：騎手必須認識到，這些專業騎乘特點會影響 Crazy Cart Shift 的功能運作，並且需要格外謹慎和注意，才能確保安全騎乘和練習。請閱讀並回顧安全警告，在使用 Crazy Cart Shift 時格外注意避讓車流、障礙物和下坡環境。本產品並非「碰碰車」，其設計不能用於碰撞、跳躍活動或用於堅硬、平滑、平坦和乾燥區域以外的地面。

ZH

i

如何操作 CRAZY CART SHIFT

骑乘这款令人激动的产品之前，请花一些时间了解如何正确操作它。开始时慢速行驶。必须小心练习让自己逐步熟悉骑乘的技巧和方法，逐步提高对 Crazy Cart Shift 的体验，以便最终能够游刃有余地操控它并获得无比的乐趣。

没有坐在 Crazy Cart Shift 的驾驶员座位上之前，切勿将 ON/OFF 开关设置为 **ON(开)**。坐好后再将电源开关设置为 **ON(开)**，这样将避免站着进出 Crazy Cart Shift 时因踩油门踏板而造成身体失去平衡。从 Crazy Cart Shift 上下车之前，务必将 ON/OFF 开关设置为 **OFF(关)**。

重要的控制功能：**父母可控的 HIGH/LOW (高速/低速) 开关**

Crazy Cart Shift 卡丁车设有一个隐藏的速度控制开关，允许父母谨慎降低（或升高）Crazy Cart Shift 的速度。这一限制旨在为孩子年龄较小的父母以及需要额外的练习时间来学习 Crazy Cart Shift 如何运动的人们而设计。

此开关隐藏在 Crazy Cart Shift 卡丁车的电池盒内，这样，骑手在不使用扳手的情况下便无法操作它。有两种设置：

- 当开关设置在 HIGH (高速) 位置时，Crazy Cart Shift 的最高速度为 13 km/h。该速度是默认设置速度，也是为 8 岁以上年龄的孩子建议的速度。
- 当开关设置在 LOW (低速) 位置时，Crazy Cart Shift 的最高速度限制在 4 km/h，且建议的骑手最小年龄为 6 岁。

油门踏板和方向盘

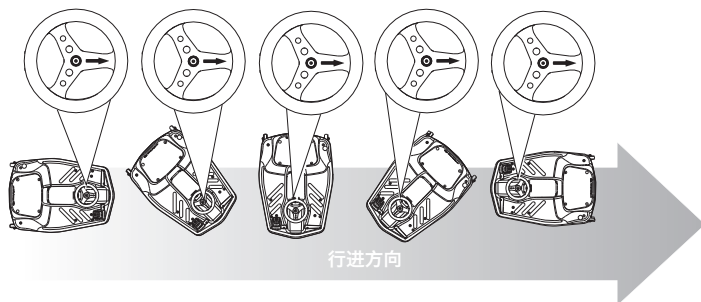
Crazy Cart Shift 可以实现真正令人激动的漂移、旋转和打转，这是普通的卡丁车无法实现的。如果您已经骑乘过 Razor RipStik® 或 Razor RipRider® 360，想想它们的脚轮以及它们如何快速实现方向的变换；或者想想 Razor Ground Force® Drifter™ 卡丁车是如何实现全速尾部漂移的。Crazy Cart Shift 配置了完全旋转前驱动轮和后脚轮，因此其在实现上述运动功能的基础上，还可实现更小半径的旋转。练习骑行 Crazy Cart Shift，随着不断的掌握，你会发现妙趣横生。但同所有其他运动产品一样，骑行时请务必谨慎，注意安全。

油门踏板：

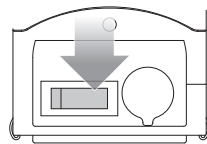
Crazy Cart Shift 有一个脚踏式油门，用于控制卡丁车的速度。通过该油门，在 HIGH (高速) 位置时，可在 0-13 KM/H 的速度范围内驾驶该卡丁车；在 LOW (低速) 位置时，可在 0-4 KM/H 的速度范围内驾驶该卡丁车。脚踩油门的力度决定着速度的大小。

方向盘：

Crazy Cart Shift 的方向盘在很多方面不同于普通的汽车或卡丁车。关于 Crazy Cart Shift 的方向盘，需要记住的最重要的一点是：其上的箭头所指的方向是卡丁车即将行进的方向，与卡丁车其他部位的方位无关。如果需要卡丁车去哪里，只需将箭头指向该方位即可（在油门踏板上施加不同的力度可控制 Crazy Cart Shift 后部的运动，如下文所述）。



Crazy Cart Shift 的方向盘可在每个方向旋转 170° 以上。将方向盘转到其极限位置时，会产生“急停”-卡丁车将不会继续转动，但是通过将方向盘完全转到一个极限方向或完全转到另一个极限方向，可向后骑乘 Crazy Cart Shift；将方向盘转到 90° 或接近 90°，则 Crazy Cart Shift 可以非常小的圆漂移（注意，这可能存在引起眩晕的风险，请避免失控）。



重要说明：请始终选择平坦、光滑、干燥和完全没有车辆或障碍物的场地进行骑乘。切勿在车辆周围骑乘！

骑乘提示：学习踩下和放开油门踏板的时机将提高您进行旋转、漂移和自如完成技巧的能力。学习 Crazy Cart Shift 功能的最好方法是在低速下尝试各种操作。

⚠ 警告：长时间或超速旋转会导致失去平衡、失控和翻车。让身体的四肢和头部尽量处于 Crazy Cart Shift 的中心位置可降低翻车的风险，因为如果身体向外倾斜和/或旋转速度加速过快，则身体的惯性力会增加翻车的风险。如果旋转速度变得太快而无法控制，请将脚从油门踏板上抬起，不要试图通过加速退出旋转。骑乘者体重越轻，Crazy Cart Shift 加速越快，这也是将年龄限制在最小 6 岁的原因之一。请务必注意安全！

Crazy Cart Shift 的转向装置集成了驱动和转向机构，大体类似于“碰碰车”的设计。其没有自动调整外倾角或后倾角的功能（也即转向管柱直线上升或直线下降，因此车轮不会自动“对齐”）。在某些情况下，这种转向可能会造成轻微的摆动或振动，这是正常现象。通常，这是由于不协调或不良的控制造成的。如果您在转向时觉得摆动，可改变方向（“反向转向”）和/或速度，这有助于重新建立平稳的控制。

旋转、漂移和停止 Crazy Cart Shift

协调自如地操控方向盘和油门踏板才能得心应手地骑乘 Crazy Cart Shift。骑乘 Crazy Cart Shift 时，大部分的旋转和漂移操作需要熟练地控制油门和操控方向盘。学习在方向盘的哪个部位控制箭头方向并懂得何时增、减动力对于顺畅控制技巧性动作至关重要。顺畅地骑乘也会减少充电次数，从而增加骑乘时间。第一次骑乘 Crazy Cart Shift 时，强烈建议骑乘者慎重使用油门，并花一些时间熟悉组合反向转向和油门踏板控制操纵 Crazy Cart Shift 旋转和漂移的效果。

Crazy Cart Shift 没有单独的刹车，但通过练习，可轻松将其停下。当然，如果将脚从油门踏板上抬起，则由于驱动系统受到摩擦的原因，Crazy Cart Shift 会慢慢停下。要使 Crazy Cart Shift 向前的运动立即停止，请将脚从油门踏板上抬起并将方向盘转动 90° 到另一侧。将脚从油门踏板上抬起并转动方向盘会使 Crazy Cart Shift 以圆形旋转或漂移，从而慢慢停下。通过将方向盘转动 90° 并将脚从油门踏板上抬起，骑乘者可立即终止向前的运动而转向其他方向。这样，Crazy Cart Shift 可避免碰撞并可避开迎面而来的物体。

为了您的安全，请花一些时间熟悉并适应油门踏板、方向盘的各种组合应用，了解如何控制 Crazy Cart Shift 减速及停止。请练习这些技巧以尽量确保骑乘安全。

下面这些基本的转向练习可以帮助骑乘者熟悉 Crazy Cart Shift 的功能：

1. 首先转圈。
2. 转相同的圈，变化踩下油门踏板的力度，注意整个过程中速度提高和降低时 Crazy Cart Shift 的反应。您应注意注意到，当转动导致 Crazy Cart Shift 卡滞时，加速会变得困难。
3. 继续转相同的圈，体验通过“反向转向”防止卡丁车卡滞的操作。反向转向消除 Crazy Cart Shift 卡滞的操作如下：将方向盘上的箭头指向与 Crazy Cart Shift 卡滞方向相反的方向。例如，如果向右转动困难，则表明卡丁车可能沿顺时针方向发生卡滞。可通过将方向盘稍微向左转动-下和/或减少施加在油门踏板上的力度来消除该卡滞。练习是掌握该技巧最好的方法。
4. 练习通过将脚从油门踏板上抬起并将方向盘向左或向右转动 90° 来停止 Crazy Cart Shift。
5. 练习进行小半径旋转或原地打转时蜷缩身体的控制动作。

警告：请务必明确，这些专业的骑乘技巧会影响 Crazy Cart Shift 性能的发挥，同时请务必高度注意和慎重以确保骑乘条件和练习安全。请阅读并回顾“安全警告”，务必注意让 Crazy Cart Shift 远离车辆、障碍物和有下坡的环境。Crazy Cart Shift 不是“碰碰车”，其不适用于碰撞、跳跃活动，除坚硬、光滑、平坦且干燥的场地之外，不适用于其他场地。



EUROPE, MIDDLE EAST, AFRICA

Razor USA (Europe)
Handelsweg 2
2742 RD Waddinxveen
Netherlands

+44 (0) 120 267 2702
info@razoreu.com

ASIA

Razor USA (Asia)
P.O. Box 3610
Cerritos, CA 90703
USA

+81 50 7579 6622
info@razor-asia.com

AMERICAS

Razor USA LLC
P.O. Box 3610
Cerritos, CA 90703
USA

+1 866 467 2967
Monday - Friday
8:00 AM - 5:00 PM Pacific Time
customersupport@razorusa.com

UNITED KINGDOM AND IRELAND

Razor USA LLC (UK)
Unit 20
Hartnoll Business Centre
Post Hill, Tiverton
Devon EX16 4NG
UK

+44 (0) 120 267 2702
info@razoreu.com

AUSTRALIA AND NEW ZEALAND

Razor USA LLC
P.O. Box 4280
Auburn South
VIC 3122
Australia

+1 800 954 354 (AU)
+0 800 003 221 (NZ)
info@razoranz.com

IMPORTED IN JAPAN BY B-PLUS ASIA

THE RIBSTIK COMPANY

Razor USA LLC
Kurokawa 3-1, Asaoku,
Kawasaki, Kanagawa
215-0035 JAPAN

+81 (0) 44 328 9057 Tel
+81 (0) 44 328 9067 Fax
info@razor-asia.com

Printed in China for Razor USA LLC.

Copyright ©2003-2024 Razor USA LLC. All rights reserved. Razor®, the Razor logo design and Crazy Cart® are among the registered trademarks of Razor USA LLC and/or its affiliated companies in the United States and/or select foreign countries. Crazy Cart® Shift™ logo design is a trademark of Razor USA LLC.

L'EUROPE, MOYEN-ORIENT, AFRIQUE

Razor USA LLC (Europe)
Handelsweg 2
2742 RD Waddinxveen
Pays-Bas

+44 (0) 120 267 2702
info@razoreu.com

ASIE

Razor USA LLC (Asie)
Case postale 3610
Cerritos, CA 90703
É.-U.

+81 50 7579 6622
info@razor-asia.com

AMÉRIQUES

Razor USA LLC
Case postale 3610
Cerritos, CA 90703
É.-U.

+1 866 467 2967
Lundi au vendredi
8 h à 17 h, heure du Pacifique
customersupport@razorusa.com

ROYAUME-UNI ET IRELANDE

Razor USA LLC (UK)
Unit 20
Hartnoll Business Centre
Post Hill, Tiverton
Devon EX16 4NG
UK

+44 (0) 120 267 2702
info@razoreu.com

AUSTRALIE ET NOUVELLE ZELANDE

Razor USA LLC
P.O. Box 4280
Auburn South
VIC 3122
Australia

+1 800 954 354 (AU)
+0 800 003 221 (NZ)
info@razoranz.com

IMPORTÉ AU JAPON PAR B-PLUS ASIA

THE RIBSTIK COMPANY

Razor USA LLC
Kurokawa 3-1, Asaoku,
Kawasaki, Kanagawa
215-0035 JAPAN

+81 (0) 44 328 9057 Tél.
+81 (0) 44 328 9067 Téléc.
info@razor-asia.com

Imprimé en Chine pour Razor USA LLC.

Copyright ©2003-2024 Razor USA, LLC. Tous droits réservés. Razor®, le logo Razor et Crazy Cart® sont des marques déposées de Razor USA LLC et/ou de ses sociétés affiliées aux États-Unis et/ou dans certains pays étrangers. Le logo Crazy Cart® Shift™ est une marque de commerce de Razor USA LLC.



In the US and Canada only.
For more information regarding recycling of rechargeable batteries, call
toll free 1-800-822-8837, or visit <http://www.call2recycle.org>

Au Canada et aux États-Unis seulement:
Pour plus de renseignements sur le recyclage des batteries rechargeables,
appelez le numéro sans frais 1 800 822-8837 ou visitez <http://www.call2recycle.org>



www.razor.com

24L+CAN_240828